



US00D855882S

(12) **United States Design Patent** (10) **Patent No.:** **US D855,882 S**
Flood et al. (45) **Date of Patent:** **** Aug. 6, 2019**

(54) **SMOKE POD**
(71) Applicant: **Mark Flood**, Tampa, FL (US)
(72) Inventors: **Mark Flood**, Tampa, FL (US);
Robinson Nunez, Riverview, FL (US)
(**) Term: **15 Years**
(21) Appl. No.: **29/627,009**
(22) Filed: **Nov. 21, 2017**
(51) **LOC (12) Cl.** **27-99**
(52) **U.S. Cl.**
USPC **D27/194**
(58) **Field of Classification Search**
USPC D27/100, 101, 139-161, 162-196;
D24/110; D23/366; D3/273; D9/455,
D9/456
CPC A24F 15/00; A24F 9/16; A24F 47/002;
A24F 1/00
See application file for complete search history.

D782,109 S * 3/2017 King D27/195
D790,767 S * 6/2017 Rush D27/168
9,802,011 B2 * 10/2017 Davidson A61K 9/007
D814,105 S * 3/2018 Eng D27/167
10,015,985 B1 * 7/2018 Blakely, III A24F 5/00
2007/0215164 A1 * 9/2007 Mehio A24F 1/30
131/173
2014/0144452 A1 * 5/2014 Liu A24F 1/30
131/328
2015/0075544 A1 * 3/2015 Portz A24D 1/14
131/328
2016/0331913 A1 11/2016 Bourque
* cited by examiner

Primary Examiner — Marissa J Cash
(74) *Attorney, Agent, or Firm* — Larson & Larson, P.A.;
Frank Liebenow; Justin P. Miller

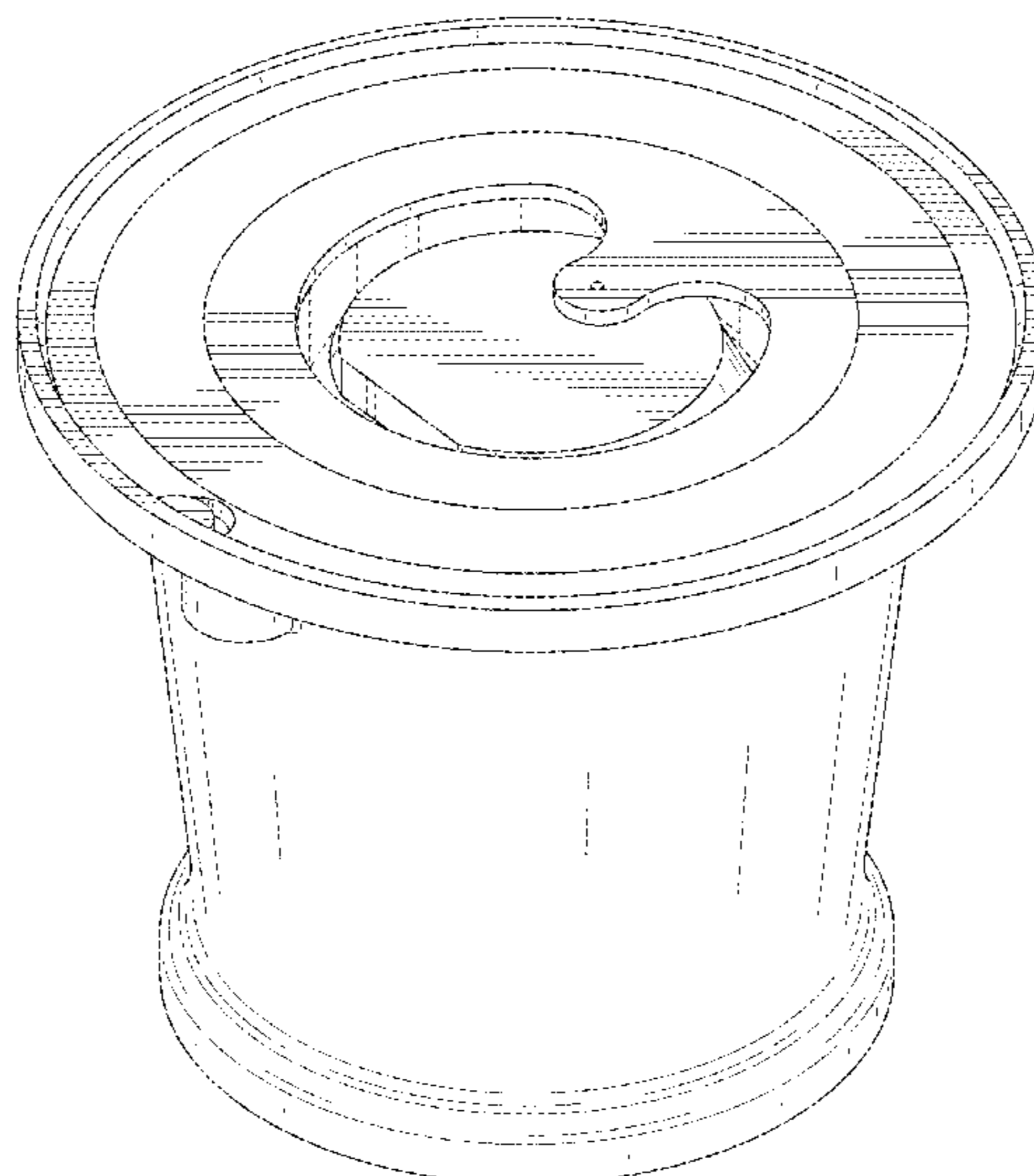
(57) **CLAIM**
The ornamental design for a smoke pod, as shown and described.

DESCRIPTION

FIG. 1 is a perspective view of a smoke pod showing our new design;
FIG. 2 is a front elevation view;
FIG. 3 is a rear elevation view thereof;
FIG. 4 is a left side elevation view thereof;
FIG. 5 is a right side elevation view thereof;
FIG. 6 is a top plan view thereof;
FIG. 7 is a bottom plan view thereof; and,
FIG. 8 is a cross sectional view.
The broken lines depicting bottom features of the smoke pod in FIG. 7 form no part of the claimed design. The broken lines depicting internal components in FIGS. 1 and 8 form no part of the claimed design.

1 Claim, 8 Drawing Sheets

(56) **References Cited**
U.S. PATENT DOCUMENTS
D722,722 S * 2/2015 Ross D27/167
D724,783 S * 3/2015 Liu D27/162
D726,366 S * 4/2015 Kirakosian D27/162
D726,955 S * 4/2015 Martin D27/172
D731,113 S * 6/2015 Wu D27/101
D742,587 S * 11/2015 Masri D27/162
D745,212 S * 12/2015 Bahbah D27/162
D745,738 S * 12/2015 Abdelmaseh D27/162
D745,739 S * 12/2015 Abadi D27/162
D745,994 S * 12/2015 Hanna D27/162
D745,995 S * 12/2015 Albathe D27/162
D757,356 S * 5/2016 Liu D27/162
D762,002 S * 7/2016 Liu D27/162
D770,088 S * 10/2016 Abadi D27/167



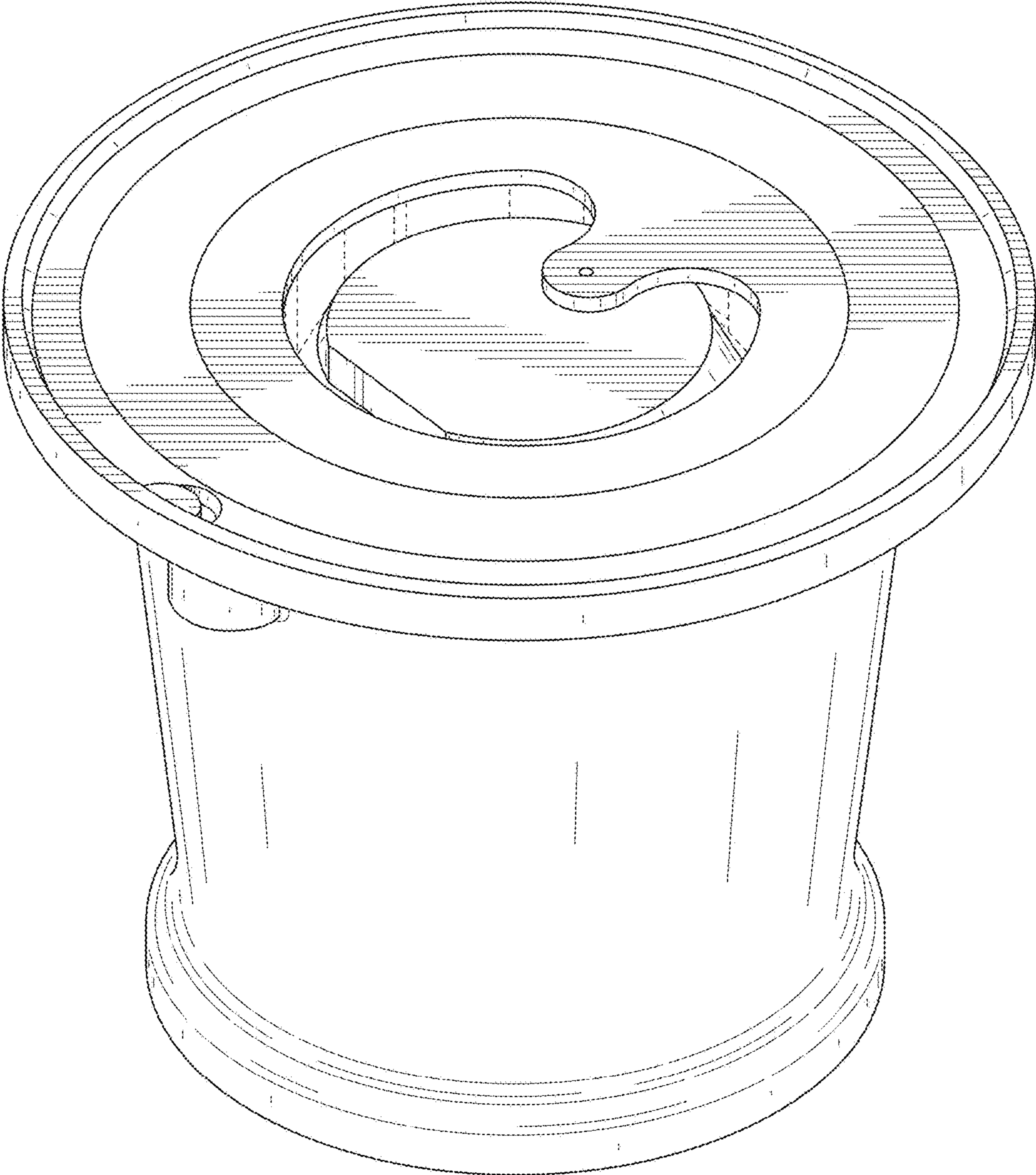


FIG. 1

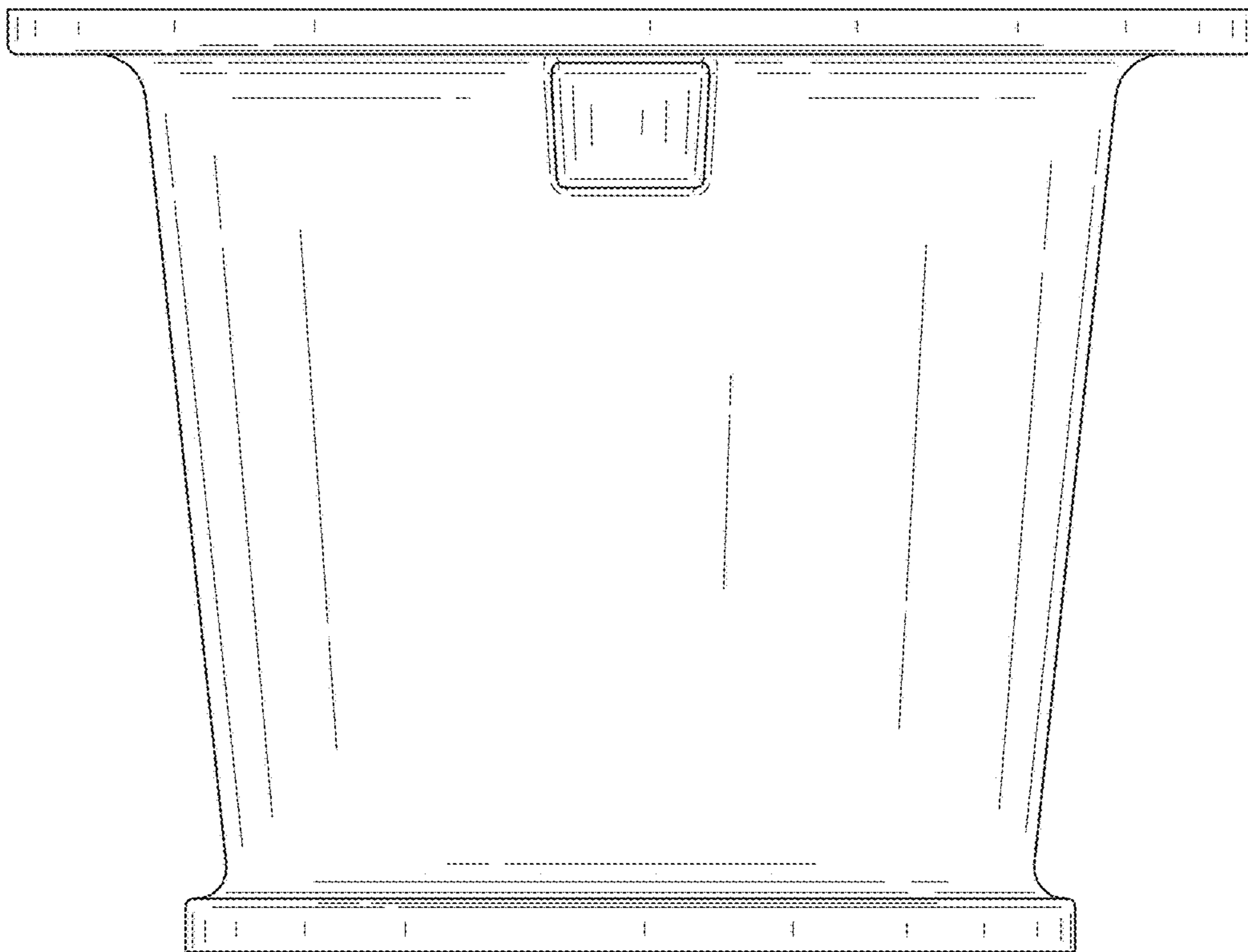


FIG. 2

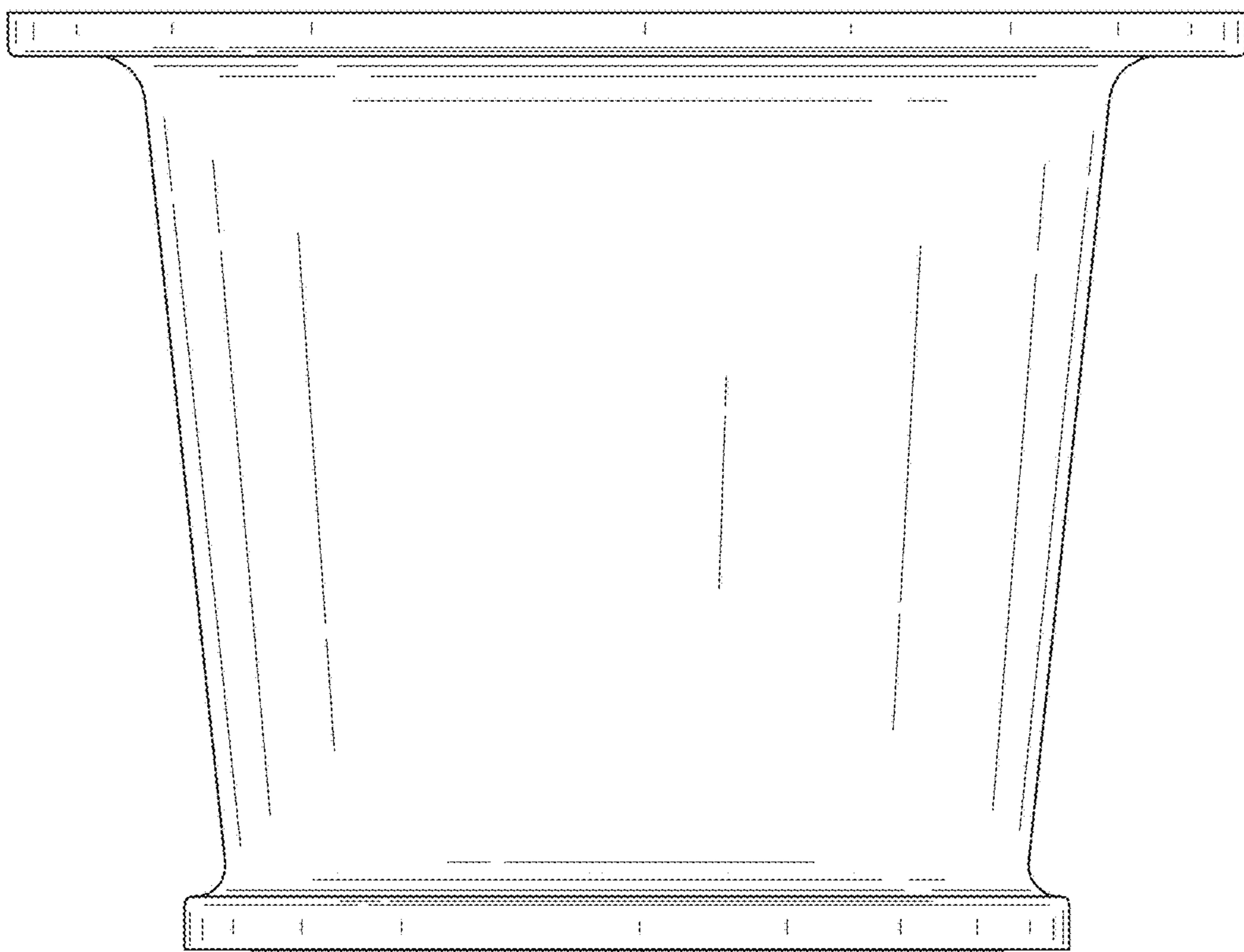


FIG. 3

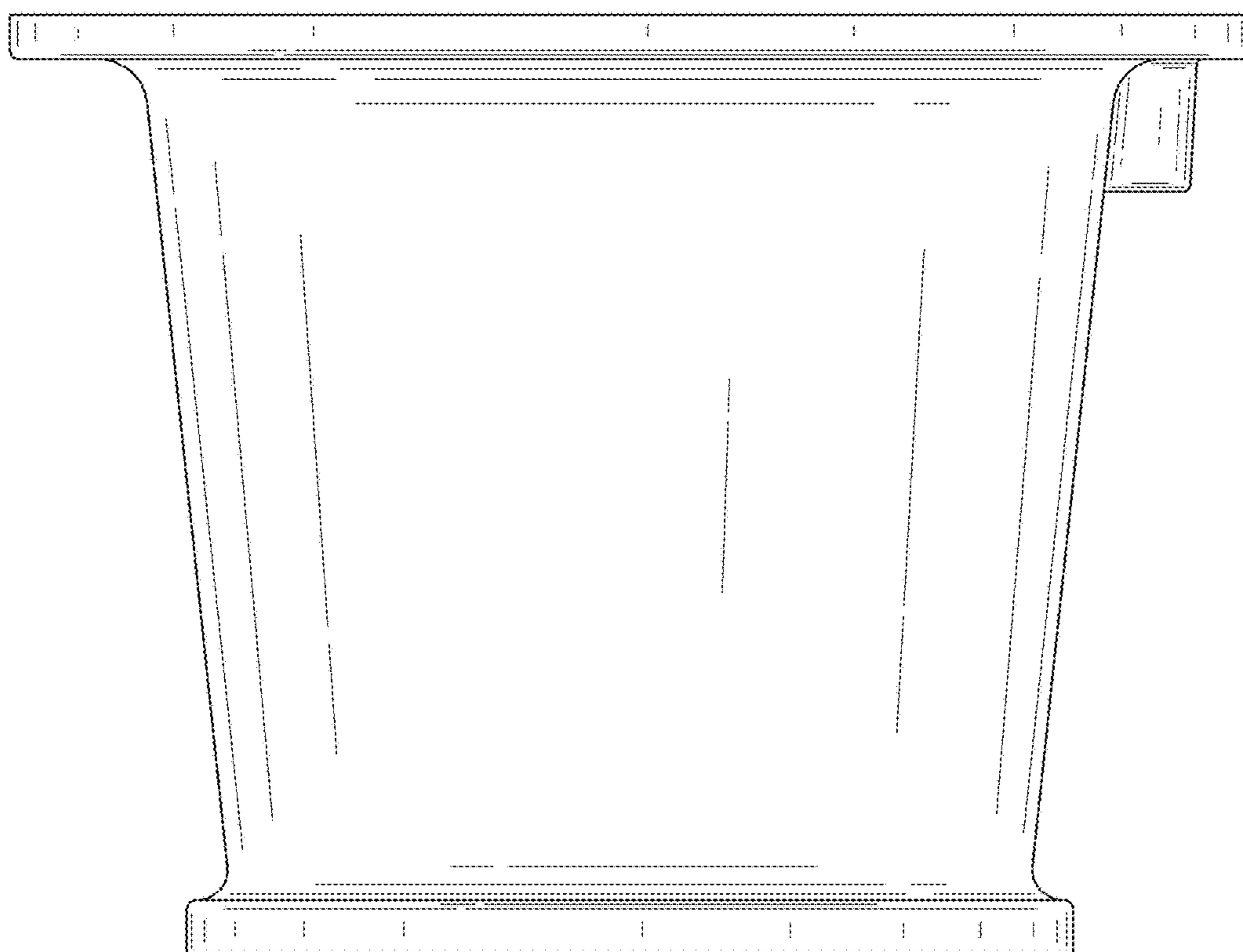


FIG. 4

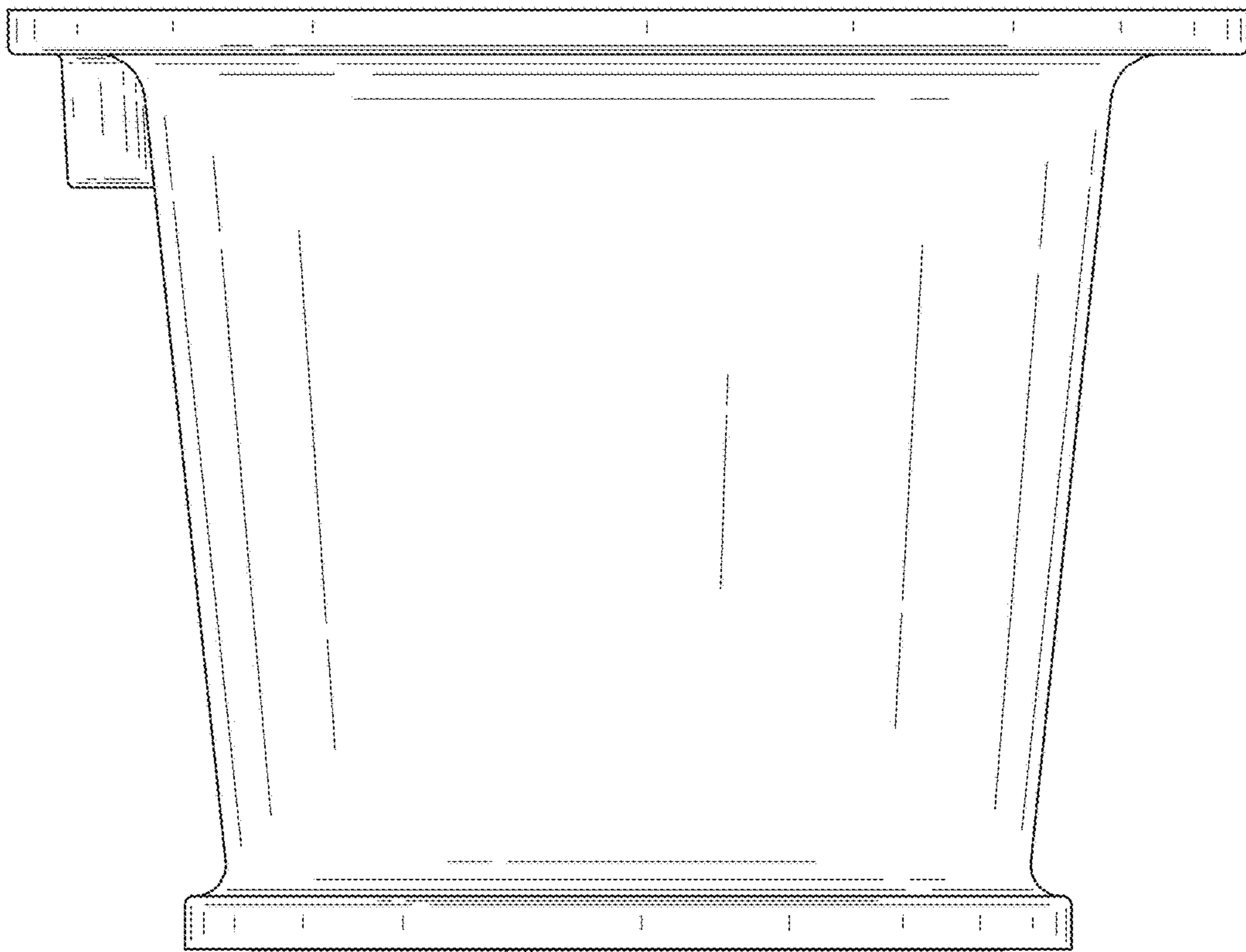


FIG. 5

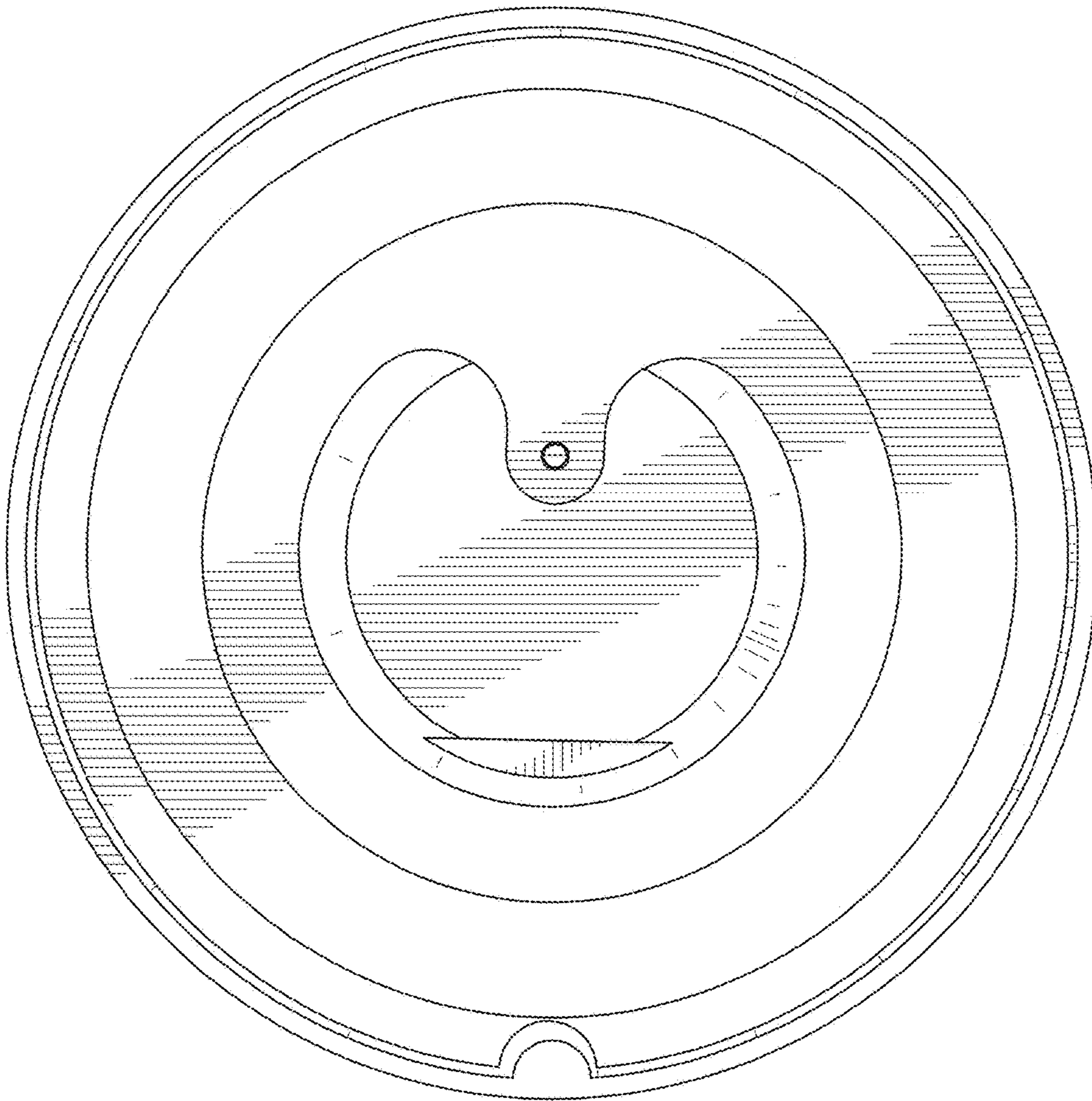


FIG. 6

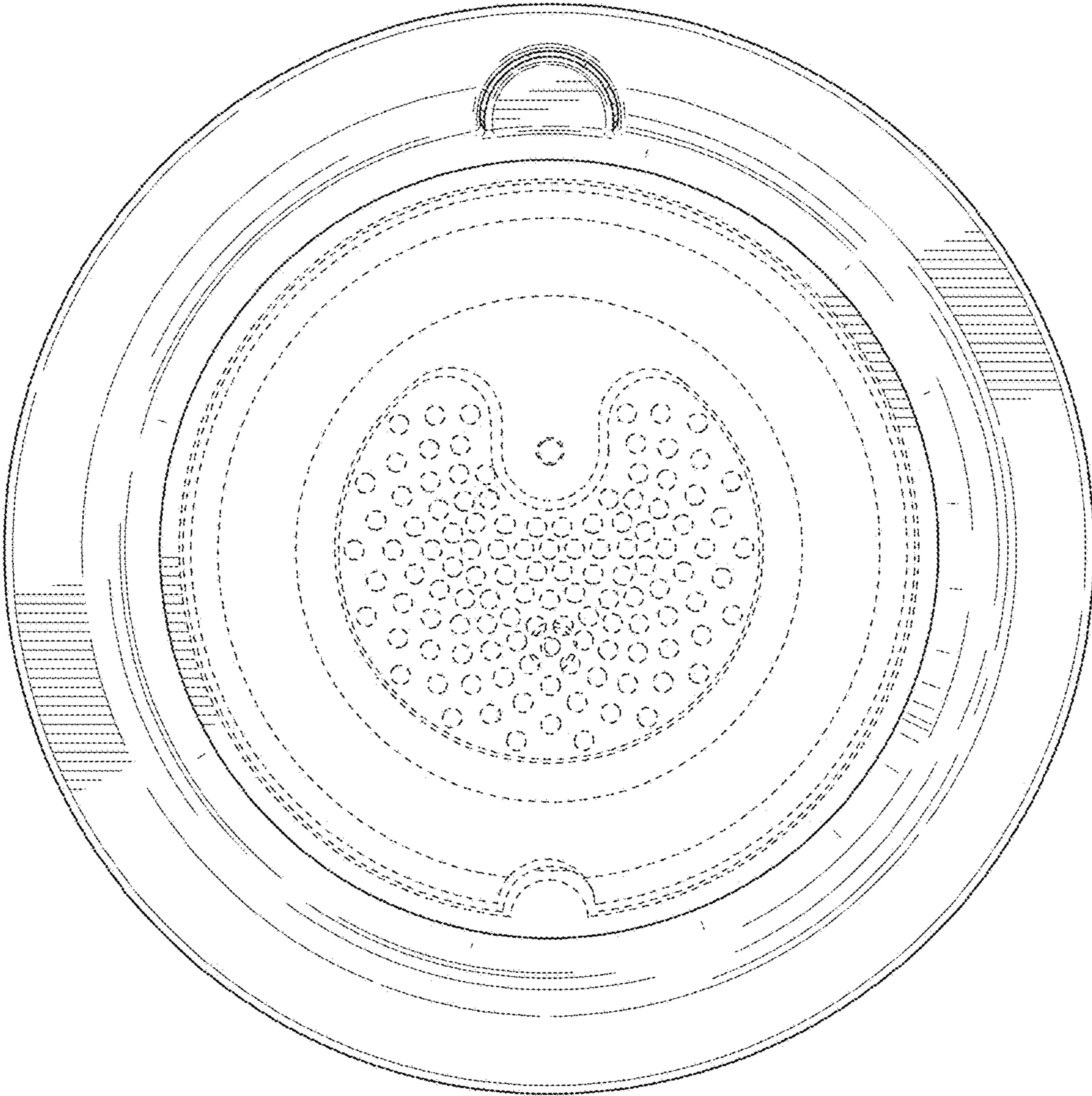


FIG. 7

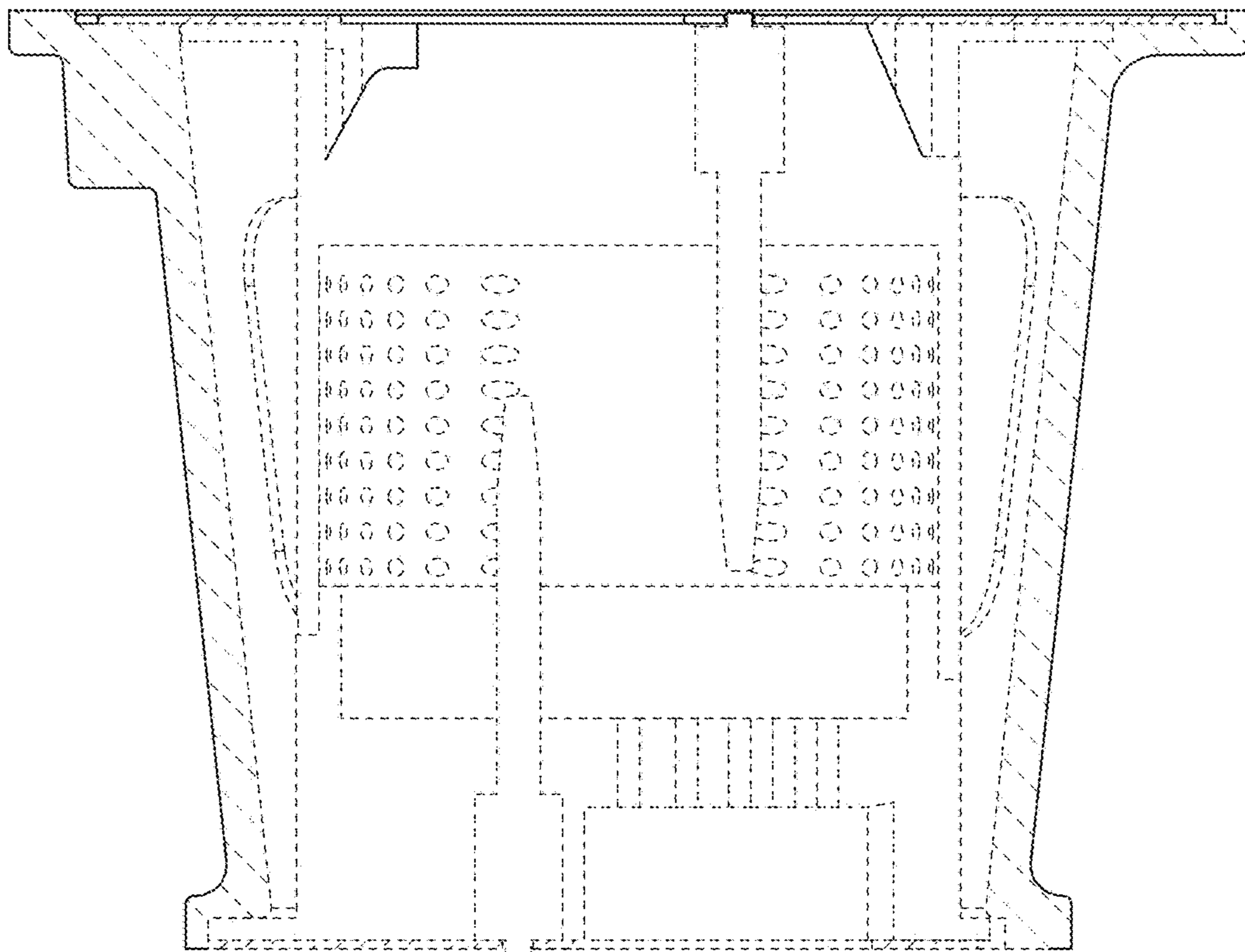


FIG. 8