



US00D855881S

(12) **United States Design Patent** (10) **Patent No.:** **US D855,881 S**
Hawes et al. (45) **Date of Patent:** **** Aug. 6, 2019**

(54) **ELECTRONIC VAPING DEVICE**

CPC A24F 1/30; A24F 47/002; A24F 9/14
See application file for complete search history.

(71) Applicant: **Altria Client Services LLC**,
Richmond, VA (US)

(56) **References Cited**

U.S. PATENT DOCUMENTS

(72) Inventors: **Eric Hawes**, Midlothian, VA (US);
Traci Martin, Richmond, VA (US);
Melissa Burroughs, Richmond, VA
(US); **Berina Yerkic-Husejnovic**,
Richmond, VA (US); **Raymond Lau**,
Richmond, VA (US); **Christopher S.**
Tucker, Midlothian, VA (US); **Anthony**
Dibitonto, Richmond, VA (US); **Marc**
Sauriol, Richmond, VA (US); **George**
Stafford, Richmond, VA (US); **Jamie**
Nicholson, Richmond, VA (US); **Mark**
Breneman, Richmond, VA (US);
Alistair Bramley, Richmond, VA (US)

D142,842	S	11/1945	Daze	
D212,753	S	11/1968	Tughan	
3,587,573	A	6/1971	Flack	
3,720,235	A	3/1973	Schrock	
D229,725	S	12/1973	Berger	
D229,788	S	1/1974	Berger	
D229,789	S	1/1974	Berger	
D229,790	S	1/1974	Berger	
D254,930	S	5/1980	Mandon et al.	
D254,931	S	5/1980	Mandon et al.	
D267,121	S	11/1982	Min	
4,429,703	A	2/1984	Haber	
D275,223	S	8/1984	Marxen	
4,945,929	A	8/1990	Egilmex	
5,042,510	A	8/1991	Curtiss et al.	
5,095,921	A	3/1992	Losee et al.	
5,179,966	A	1/1993	Losee et al.	
5,269,327	A	12/1993	Counts et al.	
D347,490	S	5/1994	Gee et al.	
D375,159	S	10/1996	Johansson	
D379,553	S	* 5/1997	DiGianni	D27/189
D384,283	S	9/1997	Davies et al.	
D404,459	S	1/1999	Furner et al.	
D404,629	S	1/1999	Cooper	
D405,220	S	2/1999	Dal Monte	
6,061,950	A	5/2000	Carey et al.	
6,231,336	B1	5/2001	Chen	
6,357,448	B1	3/2002	Sinclair, Jr.	
6,649,268	B1	11/2003	Komine et al.	
D484,963	S	1/2004	Jones et al.	
D485,639	S	1/2004	Stronski	
D489,679	S	5/2004	Wong	
D497,423	S	10/2004	Muir et al.	
D508,199	S	8/2005	Winiq et al.	
D534,682	S	1/2007	Malhi	
D548,086	S	8/2007	Conway et al.	
D550,378	S	9/2007	Adams et al.	
D550,829	S	9/2007	Buthier et al.	
D555,085	S	11/2007	Kim	
D590,988	S	* 4/2009	Hon	D27/101
D590,991	S	* 4/2009	Hon	D27/101
D591,415	S	4/2009	Wu	
D633,034	S	2/2011	Heine et al.	
D641,464	S	7/2011	De Haan et al.	
D644,375	S	8/2011	Zhou	
8,002,897	B2	8/2011	Patfy et al.	

(73) Assignee: **ALTRIA CLIENT SERVICES LLC**,
Richmond, VA (US)

(**) Term: **15 Years**

(21) Appl. No.: **29/606,031**

(22) Filed: **Jun. 1, 2017**

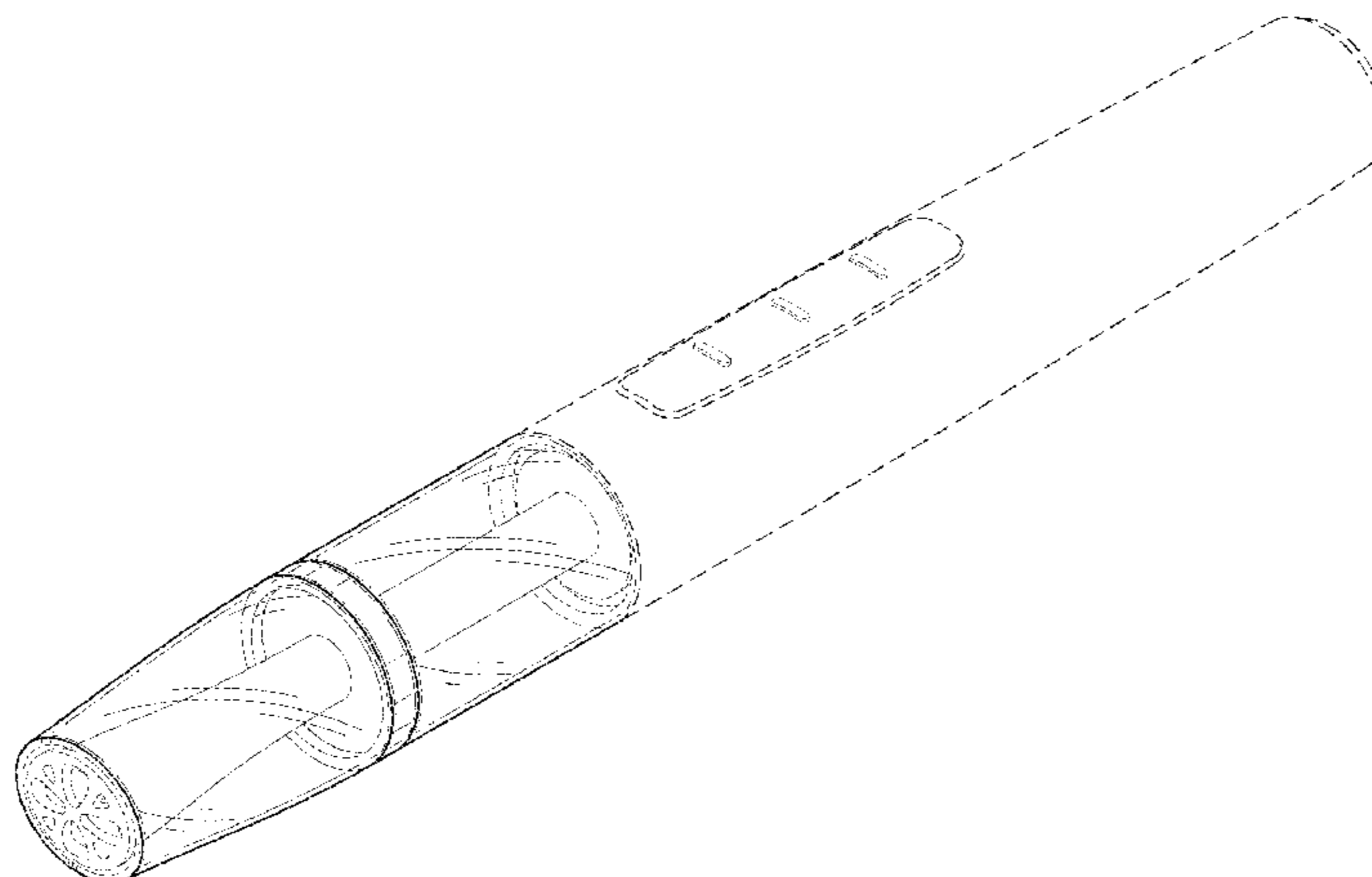
Related U.S. Application Data

(63) Continuation of application No. 29/545,534, filed on
Nov. 13, 2015, now Pat. No. Des. 790,122.

(51) **LOC (12) Cl.** **27-99**

(52) **U.S. Cl.**
USPC **D27/194**

(58) **Field of Classification Search**
USPC D27/100, 101, 162-170, 172-195;
D24/110; D23/366



US D855,881 S

D646,431 S	10/2011	Awty et al.		D760,948 S	7/2016	Eksouzian	
D651,338 S	12/2011	Awty et al.		D760,952 S *	7/2016	Mayor	D27/167
D653,989 S	2/2012	Falduto et al.		D761,998 S	7/2016	Pinder	
D662,257 S	6/2012	Alelov		D763,503 S	8/2016	Bramley et al.	
D684,311 S	6/2013	Liu		D764,098 S *	8/2016	Liu	D27/101
D685,218 S	7/2013	Willat et al.		D764,703 S	8/2016	Liu	
D685,522 S	7/2013	Potter et al.		D765,308 S	8/2016	Liu	
D686,717 S	7/2013	Mack		D765,309 S *	8/2016	Liu	D27/101
D688,415 S	8/2013	Kim		D765,907 S	9/2016	Liu	
D688,416 S	8/2013	Liu		D767,818 S *	9/2016	Kayvon	D27/162
8,499,766 B1	8/2013	Newton		D767,819 S *	9/2016	Kayvon	D27/162
D689,771 S	9/2013	Berggren		D767,820 S	9/2016	Jordan et al.	
D691,765 S	10/2013	Tucker et al.		D767,822 S	9/2016	Jordan et al.	
D691,766 S	10/2013	Tucker et al.		D768,914 S *	10/2016	Liu	D27/101
D692,612 S	10/2013	Lowenthal et al.		D768,915 S *	10/2016	Wright	D27/101
D692,613 S	10/2013	Morreale		D769,519 S *	10/2016	Chen	D27/101
D694,468 S	11/2013	Chen		D770,087 S *	10/2016	Di Bari	D27/101
D695,449 S	12/2013	Tucker et al.		D772,478 S *	11/2016	Liu	D27/167
D702,478 S	4/2014	Wai		D773,727 S	12/2016	Eksouzian	
8,707,965 B2	4/2014	Newton		D773,729 S	12/2016	Jordan et al.	
D713,285 S	9/2014	Dover		D774,247 S *	12/2016	Chen	D27/101
8,833,364 B2	9/2014	Buchberger		D774,248 S	12/2016	Jordan et al.	
D717,651 S	11/2014	Marina et al.		D776,337 S	1/2017	Levin et al.	
D718,133 S	11/2014	Fraser et al.		D779,722 S *	2/2017	Volodarsky	D27/162
8,881,737 B2	11/2014	Collett et al.		D779,725 S	2/2017	Bramley et al.	
8,888,311 B2	11/2014	Parsons		D780,372 S *	2/2017	Liu	D27/101
8,897,628 B2	11/2014	Conley et al.		D780,993 S	3/2017	Bramley et al.	
D720,499 S	12/2014	Alima		D781,178 S	3/2017	Harpole	
8,939,943 B2	1/2015	Edwards et al.		D782,108 S	3/2017	Jordan et al.	
D722,196 S	2/2015	Tucker et al.		D784,609 S *	4/2017	Liu	D27/101
D723,215 S	2/2015	Chen		D787,439 S	5/2017	Sloan	
D723,216 S	2/2015	Chen		D790,122 S *	6/2017	Hawes	D27/101
8,950,395 B2	2/2015	Schennum		D790,126 S *	6/2017	Bennett	D27/101
8,955,522 B1	2/2015	Bowen et al.		D792,021 S *	7/2017	Beer	D27/101
D724,262 S	3/2015	Heam et al.		D792,644 S	7/2017	Jordan et al.	
D724,779 S *	3/2015	Liu	D27/101	D792,645 S *	7/2017	Fornarelli	D27/167
D724,780 S *	3/2015	Wu	D27/101	D795,496 S *	8/2017	Beer	D27/101
D724,781 S	3/2015	Hearn et al.		D796,112 S *	8/2017	Lafferty	D27/101
D724,782 S *	3/2015	Wu	D27/101	D797,368 S *	9/2017	Rockferry	D27/101
D725,821 S	3/2015	Levin et al.		D797,369 S *	9/2017	Yamada	D27/101
D727,564 S	4/2015	LaForge et al.		D797,990 S	9/2017	Hawes et al.	
D727,565 S	4/2015	LaForge et al.		D799,745 S *	10/2017	Qiu	D27/101
D728,154 S	4/2015	Lavanchy et al.		D799,749 S	10/2017	Freese	
D728,155 S	4/2015	Liu		D800,383 S *	10/2017	Verleur	D27/167
D728,156 S	4/2015	Wu		D802,207 S *	11/2017	Bramley	D27/170
D728,852 S	5/2015	Hearn et al.		D802,835 S	11/2017	Bagai	
D729,411 S	5/2015	Lee Lum		D802,839 S *	11/2017	Scott	D27/194
D729,439 S	5/2015	Scatterday		D803,475 S *	11/2017	Scheiber	D27/101
D729,440 S	5/2015	Liu		D804,090 S *	11/2017	Verleur	D27/101
D729,441 S *	5/2015	Hua	D27/101	D804,091 S *	11/2017	Fornarelli	D27/101
D730,571 S	5/2015	Chen		D804,305 S	12/2017	White	
9,050,427 B2	6/2015	Harris et al.		D809,189 S	1/2018	Liu	
D738,038 S *	9/2015	Smith	D27/170	D812,808 S	3/2018	Ng	
D738,567 S	9/2015	Tucker et al.		D814,103 S *	3/2018	Levinson	D27/101
D739,598 S	9/2015	Lavanchy et al.		D815,340 S	4/2018	Bramley et al.	
D739,601 S	9/2015	Bahbah		D815,342 S *	4/2018	Sutton	D27/169
D742,021 S	10/2015	Labuschagne et al.		D817,540 S	5/2018	Yamada et al.	
D743,097 S	11/2015	Tucker et al.		D817,544 S *	5/2018	Chen	D27/167
D743,622 S *	11/2015	Alima	D27/167	D823,534 S *	7/2018	Chen	D27/162
D747,037 S *	1/2016	Spielman	B02C 18/144 D27/194	D826,470 S	8/2018	Huang et al.	
				D827,920 S	9/2018	Fornarelli	
D747,547 S	1/2016	Liu		D828,623 S	9/2018	Fornarelli	
D747,548 S *	1/2016	Mayor	D27/167	D832,498 S	10/2018	Chen	
D748,323 S	1/2016	Tucker et al.		2006/0021613 A1	2/2006	Overlander	
D749,261 S *	2/2016	Chen	D27/162	2012/0053512 A1	3/2012	Muse	
D749,509 S	2/2016	Blau		2013/0068239 A1	3/2013	Youn	
D749,780 S	2/2016	Bramley et al.		2013/0087160 A1	4/2013	Gherghe	
D750,834 S	3/2016	Wei		2013/0140200 A1	6/2013	Scatterday	
D752,278 S	3/2016	Verleur et al.		2013/0167853 A1	7/2013	Liu	
D752,279 S *	3/2016	Liu	D27/101	2013/0167854 A1	7/2013	Shin	
D754,916 S	4/2016	Irvin		2013/0192615 A1	8/2013	Tucker et al.	
D754,919 S	4/2016	Alarcon et al.		2013/0192623 A1	8/2013	Tucker et al.	
D755,440 S	5/2016	Collen		2013/0213419 A1	8/2013	Tucker et al.	
D756,031 S	5/2016	Wu		2013/0228190 A1	9/2013	Weiss et al.	
D756,564 S	5/2016	Yerkic-Husejnovic et al.		2013/0298905 A1	11/2013	Levin et al.	
D757,352 S	5/2016	Bagai		2013/0312742 A1	11/2013	Monsees et al.	
D758,650 S *	6/2016	Wu	D27/101	2013/0319438 A1 *	12/2013	Liu	A24F 47/008 131/329
D758,654 S	6/2016	Liu					
D760,430 S	6/2016	Hanna		2013/0319440 A1	12/2013	Capuano	

2013/0327345	A1	12/2013	Clarke		< http://kelvin.en.made-in-china.com/productimage/FghEJNdCeOVw-2flj00KeBtCALgEjYE/China-High-Quality-Triangular-Trimark-E-Cigarette.html >, copyright 2015, Focus Technology Co., Ltd.
2013/0333711	A1	12/2013	Liu		Notice of Allowance for corresponding U.S. Appl. No. 29/531,410 dated Mar. 25, 2016.
2013/0340775	A1	12/2013	Juster et al.		Notice of Allowance for corresponding U.S. Appl. No. 29/527,151 dated Mar. 30, 2016.
2014/0014124	A1	1/2014	Glasberg et al.		Non-Final Office Action for corresponding U.S. Appl. No. 29/527,153 dated Mar. 28, 2016.
2014/0020693	A1	1/2014	Cochand et al.		Notice of Allowance for corresponding U.S. Appl. No. 29/527,149 dated Apr. 11, 2016.
2014/0034070	A1	2/2014	Schennum		Notice of Allowance for corresponding U.S. Appl. No. 29/531,427 dated Apr. 5, 2016.
2014/0053856	A1	2/2014	Liu		Notice of Allowance for corresponding U.S. Appl. No. 29/527,151 dated May 25, 2016.
2014/0060524	A1*	3/2014	Liu	A24F 47/008 128/200.14	Notice of Allowance for corresponding U.S. Appl. No. 29/531,427 dated Jun. 2, 2016.
2014/0060554	A1	3/2014	Collett et al.		Notice of Allowance for corresponding U.S. Appl. No. 29/527,149 dated Jun. 8, 2016.
2014/0076310	A1	3/2014	Newton		Notice of Allowance for corresponding U.S. Appl. No. 29/531,410 dated May 26, 2016.
2014/0174458	A1	6/2014	Katz		Office Action for corresponding U.S. Appl. No. 29/545,537 dated Aug. 30, 2016.
2014/0202477	A1	7/2014	Qi et al.		Mouthpiece of Smoking Article V2 Cigs Blu Ecigarette Reviewed postdate Mar. 24, 2014 © 2015 ecigarettereviwed.com, [online], [site visited Nov. 24, 2015] Available from Internet, http://ecigarettereviwed.com/blu-cigs-review/ .
2014/0209105	A1	7/2014	Sears et al.		Notice of Allowance dated Feb. 15, 2017 issued in U.S. Appl. No. 29/545,534.
2014/0224267	A1	8/2014	Levitz et al.		Notice of Allowance dated Oct. 4, 2017 issued in U.S. Appl. No. 29/579,728.
2014/0270727	A1	9/2014	Ampolini et al.		Non-Final Office Action dated Feb. 2, 2018 issued in U.S. Appl. No. 29/545,527.
2014/0270730	A1	9/2014	Depiano et al.		The detail view of Handle of Moen Chrome Single handle reference by Old Country House Blog dated Jul. 5, 2013, found online [Jan. 29, 2018] http://myoldcountryhouse.com/wp-content/uploads/2013/07/7185c.jpg .
2014/0283859	A1	9/2014	Minskoff et al.		Choosing Mimi and Poppies Faucet by Old Country house Blog dated Jul. 5, 2013, found online [Jan. 29, 2018], http://myoldcountryhouse.com/wp-content/uploads/2013/07/7185c.jpg .
2014/0318558	A1	10/2014	Liu		Notice of Allowance dated Dec. 8, 2015 issued in U.S. Appl. No. 29/503,697.
2014/0336565	A1	11/2014	Nichols		Notice of Allowance dated Oct. 11, 2016 issued in U.S. Appl. No. 29/561,106.
2014/0345632	A1	11/2014	Scatterday		Notice of Allowance dated Jul. 3, 2017 issued in U.S. Appl. No. 29/591,099.
2014/0345635	A1	11/2014	Rabinowitz et al.		Notice of Allowance dated Oct. 19, 2016 issued in U.S. Appl. No. 29/560,805.
2014/0355969	A1	12/2014	Stern		Notice of Allowance dated Sep. 29, 2016 issued in U.S. Appl. No. 29/527,153.
2014/0360516	A1	12/2014	Liu		Final Office Action dated Jan. 26, 2017 issued in U.S. Appl. No. 29/545,537.
2015/0020827	A1	1/2015	Liu		Notice of Allowance dated May 19, 2017 issued in U.S. Appl. No. 29/545,537.
2015/0020828	A1	1/2015	Liu		Notice of Allowance for corresponding U.S. Appl. No. 29/616,782 dated May 16, 2018.
2015/0027470	A1	1/2015	Kane et al.		Notice of Allowance for corresponding U.S. Appl. No. 29/579,728 dated Aug. 29, 2018.
2015/0059784	A1	3/2015	Liu		Notice of Allowance for corresponding U.S. Appl. No. 29/545,527, dated Dec. 10, 2018.
2015/0114406	A1	4/2015	Newton		United States Notice of Allowance for U.S. Appl. No. 29/579,728 dated Apr. 9, 2019.
2015/0122252	A1	5/2015	Frija		
2015/0144148	A1	5/2015	Chen		
2015/0150307	A1	6/2015	Liu		
2015/0181944	A1	7/2015	Li et al.		
2015/0196059	A1	7/2015	Liu		
2015/0208726	A1	7/2015	Liu		
2015/0245657	A1	9/2015	Memari et al.		
2015/0258288	A1	9/2015	Sullivan		
2015/0282530	A1	10/2015	Johnson et al.		
2015/0296889	A1	10/2015	Liu		
2015/0313288	A1*	11/2015	Liu	A24F 47/008 131/329	
2015/0328415	A1	11/2015	Minskoff et al.		
2015/0332379	A1	11/2015	Alarcon		
2016/0073692	A1*	3/2016	Alarcon	A24F 47/008 131/329	
2016/0113327	A1*	4/2016	Wu	A24F 47/008 131/329	
2016/0120226	A1*	5/2016	Rado	A24F 47/008 131/329	
2016/0150821	A1*	6/2016	Liu	A24F 47/008 131/329	
2016/0150823	A1	6/2016	Liu		
2016/0213062	A1	7/2016	Doyle		
2016/0219935	A1*	8/2016	Qiu	A24F 47/008	
2016/0270446	A1*	9/2016	Shenkal	A24F 47/008	
2016/0374395	A1	12/2016	Jordan et al.		
2016/0374396	A1	12/2016	Jordan		
2016/0374397	A1	12/2016	Jordan et al.		

FOREIGN PATENT DOCUMENTS

CN 202890464 U 4/2013
 WO WO-2013089358 A1 6/2013

OTHER PUBLICATIONS

“Smokio: Smart Wireless E-cigarette,” <http://www.premiumlifestyle.co.uk/products/smokio-smart-wireless-e-cigarette>.
 About Electronic Cigarettes/Vapor Cigarettes/E-cigs, <https://www.vapinapes.com/about-vapor-cigarettes/>.
 Supersmoke: The Latest Supersmoker Bluetooth, <http://www.supersmokerbluetooth.com/>.
 Kosmo, <https://www.indiegogo.com/projects/kosmo-ecigarette>.
 Mouthpiece of Smoking Article | Nikotek 3pk Cartridge | Metro, post date N/A, @ 2015 metroecigs.com, [online], [site visited Nov. 24, 2015], Available from Internet, <http://www.metroecigs.com/product/metromenthoinonnicotinecartridges.asp>.

* cited by examiner

Primary Examiner — Marissa J Cash

(74) *Attorney, Agent, or Firm* — Harness, Dickey & Pierce, P.L.C.

(57) **CLAIM**

The ornamental design for an electronic vaping article, as shown and described.

DESCRIPTION

FIG. 1 is a perspective view of the electronic vaping device;
FIG. 2 is another perspective view of the electronic vaping device;

FIG. 3 is a top view of the electronic vaping device

FIG. 4 is a bottom view of the electronic vaping device;

FIG. 5 is a first side view of the electronic vaping device;

FIG. 6 is an opposite side view of the first side view of the electronic vaping device;

FIG. 7 is a front view of the electronic vaping device; and,

FIG. 8 is a rear view of the electronic vaping device.

In the drawings, the broken lines depict environmental subject matter only and form no part of the claimed design.

1 Claim, 5 Drawing Sheets

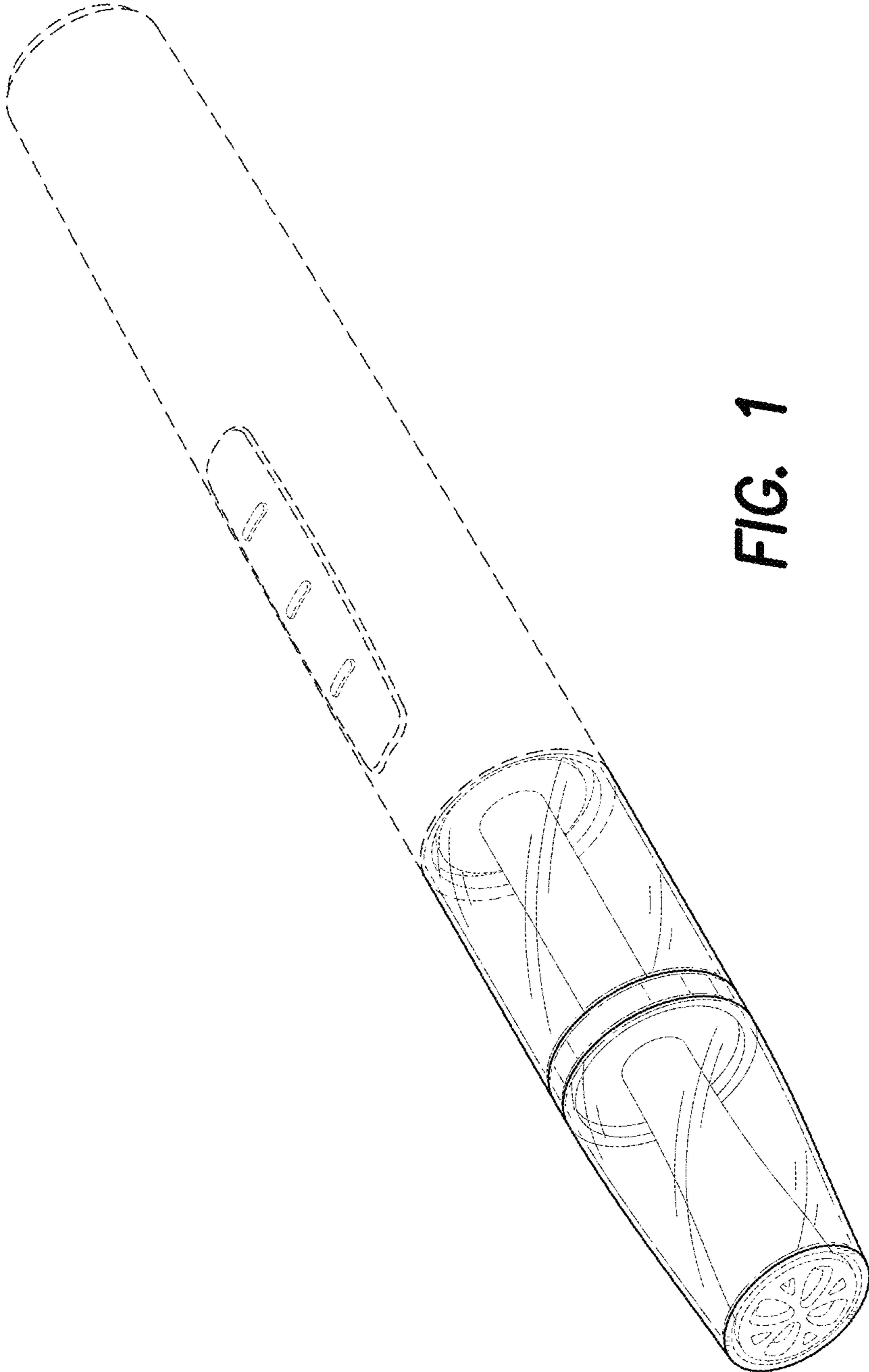


FIG. 1

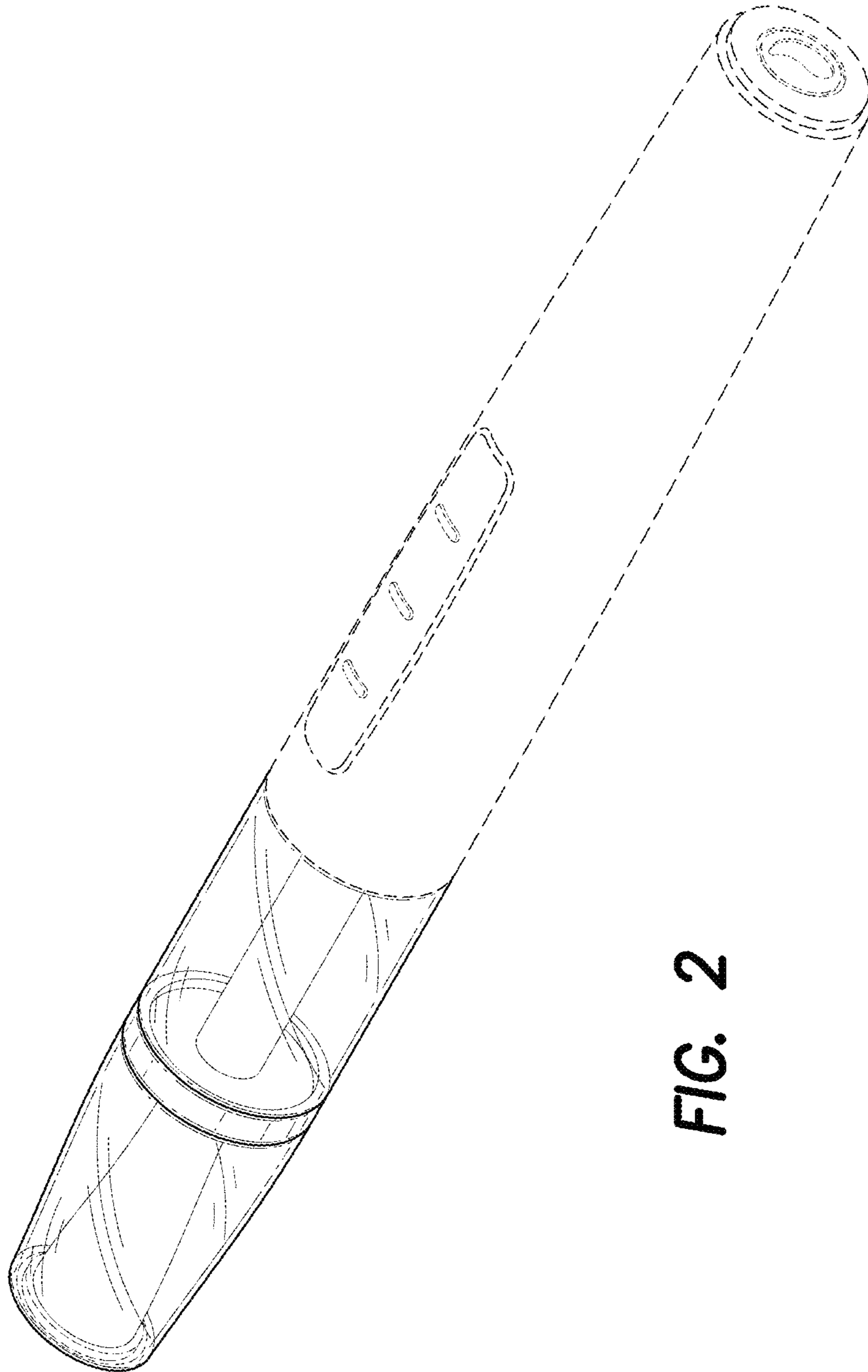


FIG. 2

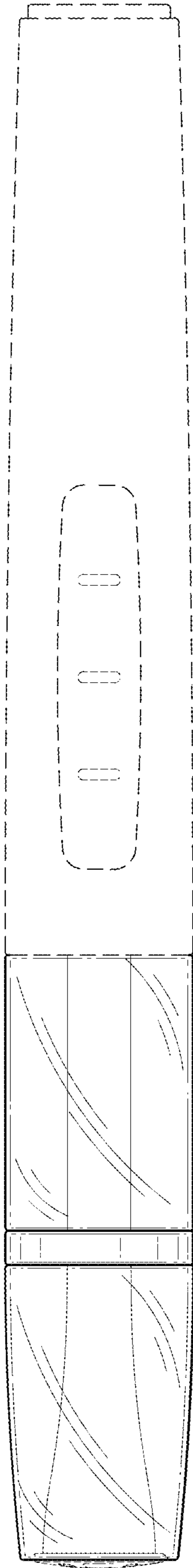


FIG. 3

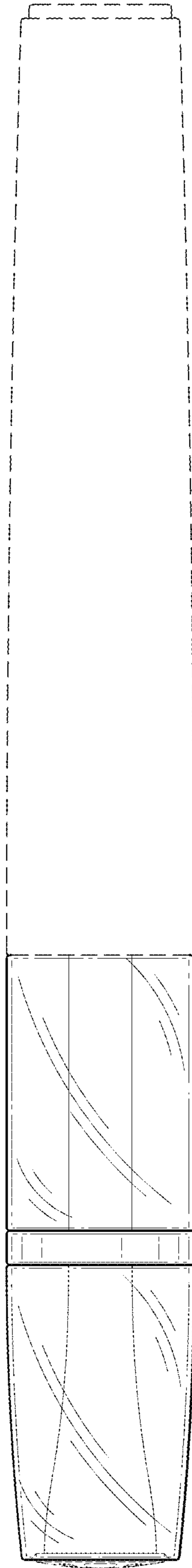


FIG. 4



FIG. 5

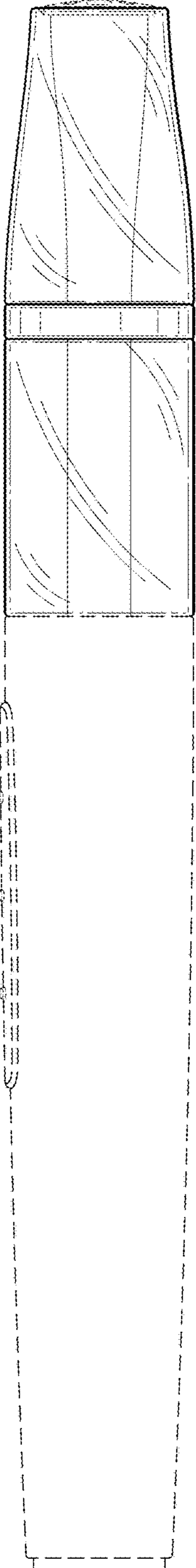


FIG. 6

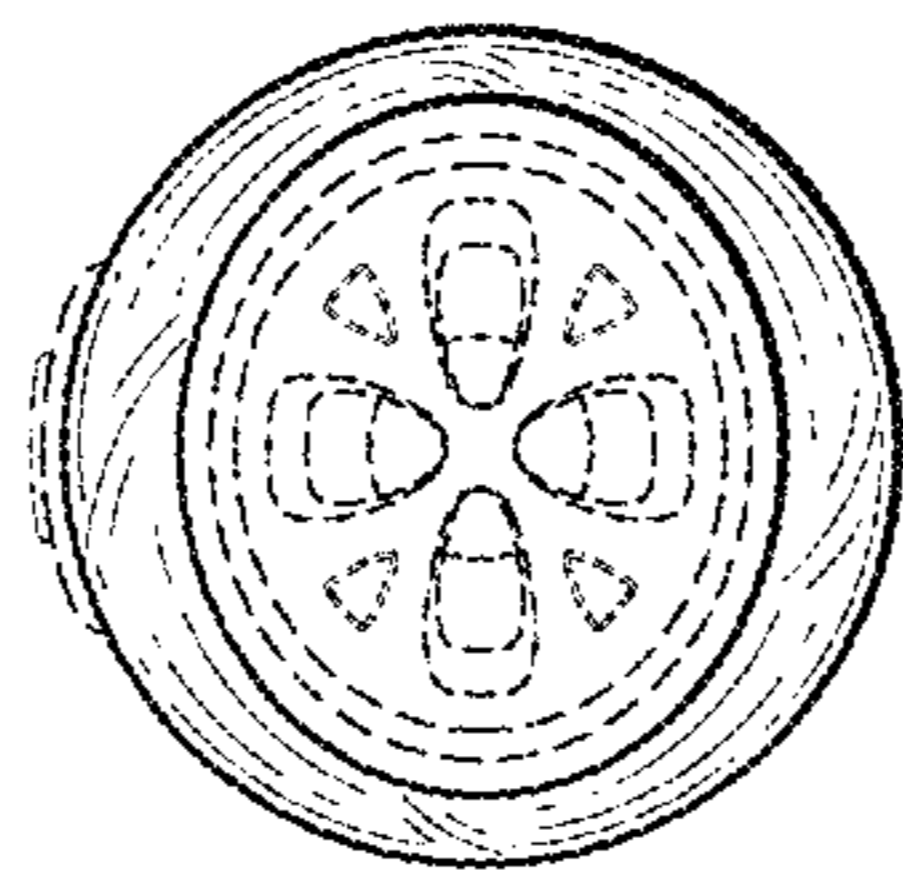


FIG. 7

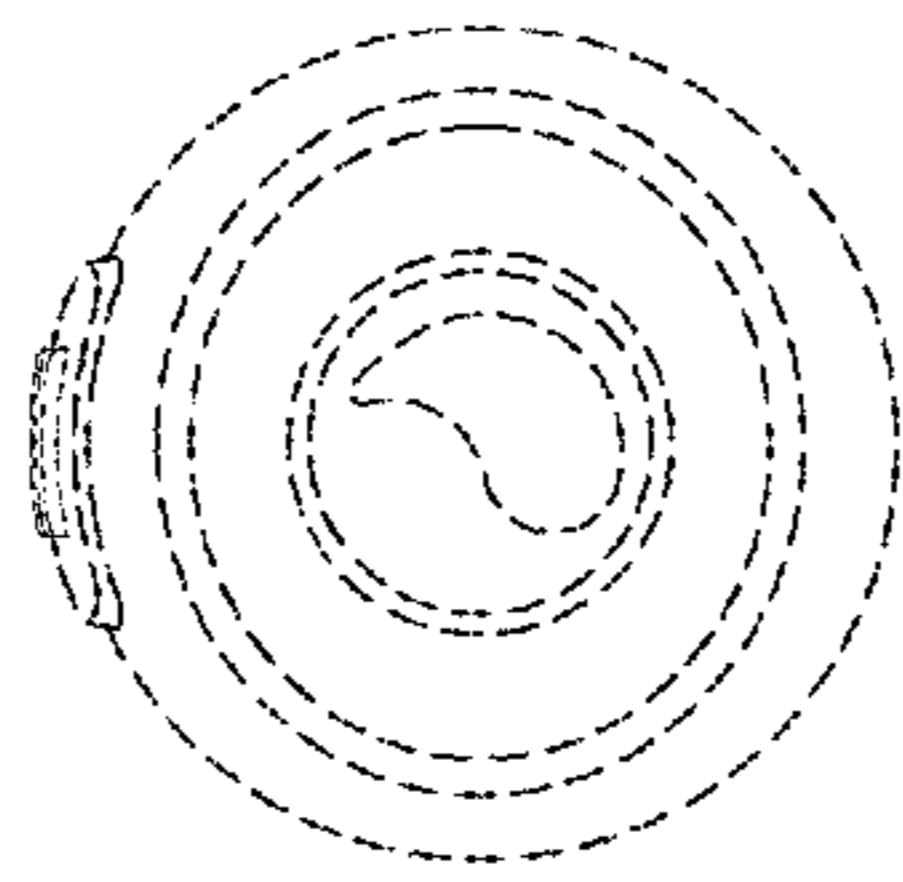


FIG. 8