



US00D855880S

(12) **United States Design Patent** (10) **Patent No.:** **US D855,880 S**
Sarsurluoglu (45) **Date of Patent:** **** Aug. 6, 2019**

(54) **VAPE BOX**
(71) Applicant: **Okan Sarsurluoglu**, Burbank, CA (US)
(72) Inventor: **Okan Sarsurluoglu**, Burbank, CA (US)

(**) Term: **15 Years**

(21) Appl. No.: **29/633,686**

(22) Filed: **Jan. 15, 2018**

(51) **LOC (12) Cl.** **27-06**

(52) **U.S. Cl.**
USPC **D27/186**

(58) **Field of Classification Search**
USPC D27/100, 101, 139-161, 162-194;
D23/366; D7/416; D24/110; D19/101,
D19/106, 115, 165, 195
CPC A24F 47/008; A24F 47/002; A24F 7/00;
A24F 15/12; F23Q 2/164
See application file for complete search history.

(56) **References Cited**

U.S. PATENT DOCUMENTS

D145,886 S *	11/1946	Fox	D27/159
3,272,321 A *	9/1966	Tamarin	A24F 15/14
				206/249
D209,319 S *	11/1967	Rappoport	D27/154
D217,385 S *	4/1970	Rams	D27/154
D223,523 S *	4/1972	Kastner	D27/194
D226,128 S *	1/1973	Rams	D27/154
D228,307 S *	9/1973	Rams	D27/154
D233,612 S *	11/1974	Moriya	D27/157
D233,686 S *	11/1974	Stutzer	D27/154
D236,280 S *	8/1975	Ohsawa	D27/154
D242,811 S *	12/1976	Stuetzer	D27/159
D246,473 S *	11/1977	Stutzer	D27/154
D248,244 S *	6/1978	Beleckis	D27/154
D252,768 S *	8/1979	Brand	D27/154
D259,741 S *	6/1981	Stuetzer	D27/159
D284,113 S *	6/1986	Wassmann	D27/159
D335,194 S *	4/1993	Bruzzi	D27/159
D366,950 S *	2/1996	McKinnie	D27/189

D411,332 S *	6/1999	Zelenik	D27/187
D466,643 S *	12/2002	Harel	D27/141
D498,330 S *	11/2004	Koike	D27/157
D499,205 S *	11/2004	Wong	D27/157
D536,480 S *	2/2007	Park	D27/143

(Continued)

OTHER PUBLICATIONS

Brik—Slimmest Portable JUUL Charging Case by Brik . earliest review date: Jun. 3, 2018. found online [Dec. 20, 2018] https://brikcharger.com/products/brik?gclid=EAlaIqobChMI75ffobmv3wIVTIqGCh08BwU6EAQYASABEgIWvPD_BwE#shopify-product-reviews.*

Primary Examiner — Marissa J Cash

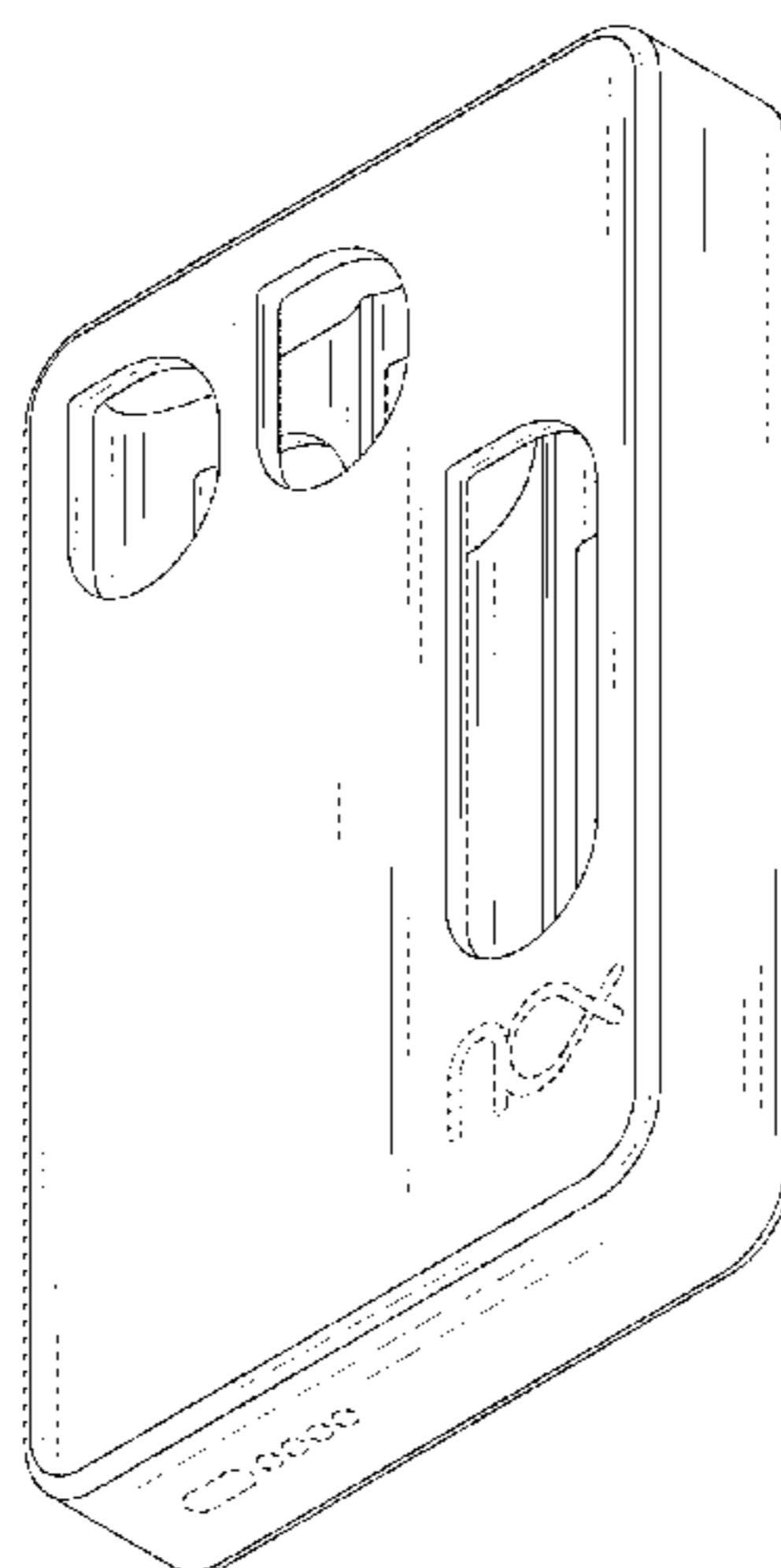
(57) **CLAIM**

The ornamental design for a vape box, as shown and described.

DESCRIPTION

FIG. 1 is a top perspective view of a vape box showing my new design;
FIG. 2 is a bottom perspective view thereof;
FIG. 3 is a front view thereof;
FIG. 4 is a back view thereof;
FIG. 5 is a top view thereof;
FIG. 6 is a bottom view thereof;
FIG. 7 is a left view thereof;
FIG. 8 is a right view thereof;
FIG. 9 is a left cross-sectional view thereof taken along the line 9-9 in FIG. 4;
FIG. 10 is a right cross-sectional view thereof taken along the line 10-10 in FIG. 4; and,
FIG. 11 is a top cross-sectional view thereof taken along the line 11-11 in FIG. 4.
The broken lines showing of lights and ports in FIG. 2 and FIG. 6, and the broken line showing of logos in FIG. 1-4 are included for the purpose of showing environmental structure and forms no part of the claimed design.

1 Claim, 11 Drawing Sheets



(56)

References Cited

U.S. PATENT DOCUMENTS

D596,788 S * 7/2009 Fuente D27/189
 D605,350 S * 12/2009 Smith D27/154
 D617,042 S * 6/2010 Wong D27/139
 D622,902 S * 8/2010 An D27/154
 D625,466 S * 10/2010 Martin D27/159
 D649,236 S * 11/2011 Bilko D23/366
 D681,875 S * 5/2013 Park D27/141
 D692,615 S * 10/2013 Verleur D27/186
 D693,054 S * 11/2013 Verleur D27/189
 D706,129 S * 6/2014 Boraczek D9/418
 D718,723 S * 12/2014 Clymer D13/168
 D733,278 S * 6/2015 Newlin D23/366
 D735,572 S * 8/2015 Fath D9/418
 D751,251 S * 3/2016 Fath D27/189
 D751,756 S * 3/2016 Hearn D27/189
 D752,285 S * 3/2016 Doster D27/189
 D752,808 S * 3/2016 Hearn D27/189
 D754,913 S * 4/2016 Almsberger D27/152
 D754,920 S * 4/2016 Domon D27/189
 D758,655 S * 6/2016 Freshwater D27/163
 D758,656 S * 6/2016 Freshwater D27/163
 D768,918 S * 10/2016 Ward D27/167
 D770,680 S * 11/2016 Bennett D27/189
 D773,116 S * 11/2016 Liu D27/167
 D776,340 S * 1/2017 Seibel D27/189
 D779,726 S * 2/2017 Bennett D27/189
 D780,373 S * 2/2017 Bennett D27/186
 D790,129 S * 6/2017 Bennett D27/189

D791,070 S * 7/2017 Son D13/103
 D802,834 S * 11/2017 Mathias D27/163
 9,841,433 B2 * 12/2017 Norris G01P 13/02
 D807,818 S * 1/2018 Mathias D13/107
 D809,706 S * 2/2018 Martin D27/141
 D811,005 S * 2/2018 Fath D27/189
 D812,289 S * 3/2018 Ward D27/172
 D812,290 S * 3/2018 Ward D27/172
 D818,195 S * 5/2018 Burger D27/186
 D818,640 S * 5/2018 Kakoun D27/189
 D820,688 S * 6/2018 Fath D9/721
 D828,621 S * 9/2018 Qiu D27/162
 D829,375 S * 9/2018 Huang D27/162
 D829,982 S * 10/2018 Wang D27/167
 D829,983 S * 10/2018 Wang D27/167
 D830,626 S * 10/2018 Gu D27/141
 D832,504 S * 10/2018 Qiu D27/163
 D832,505 S * 10/2018 Bennett D27/193
 D833,671 S * 11/2018 Stephane D27/141
 D835,840 S * 12/2018 Liu D27/162
 2014/0262871 A1 * 9/2014 Fath B65D 5/4204
 206/273
 2015/0342252 A1 * 12/2015 Fath B65D 5/4204
 206/223
 2016/0096658 A1 * 4/2016 Fath B65B 5/024
 206/273
 2017/0208862 A1 * 7/2017 Li A24F 15/20
 2018/0084828 A1 * 3/2018 Phillips A61M 15/0021
 2018/0160739 A1 * 6/2018 Chen H01H 9/20

* cited by examiner

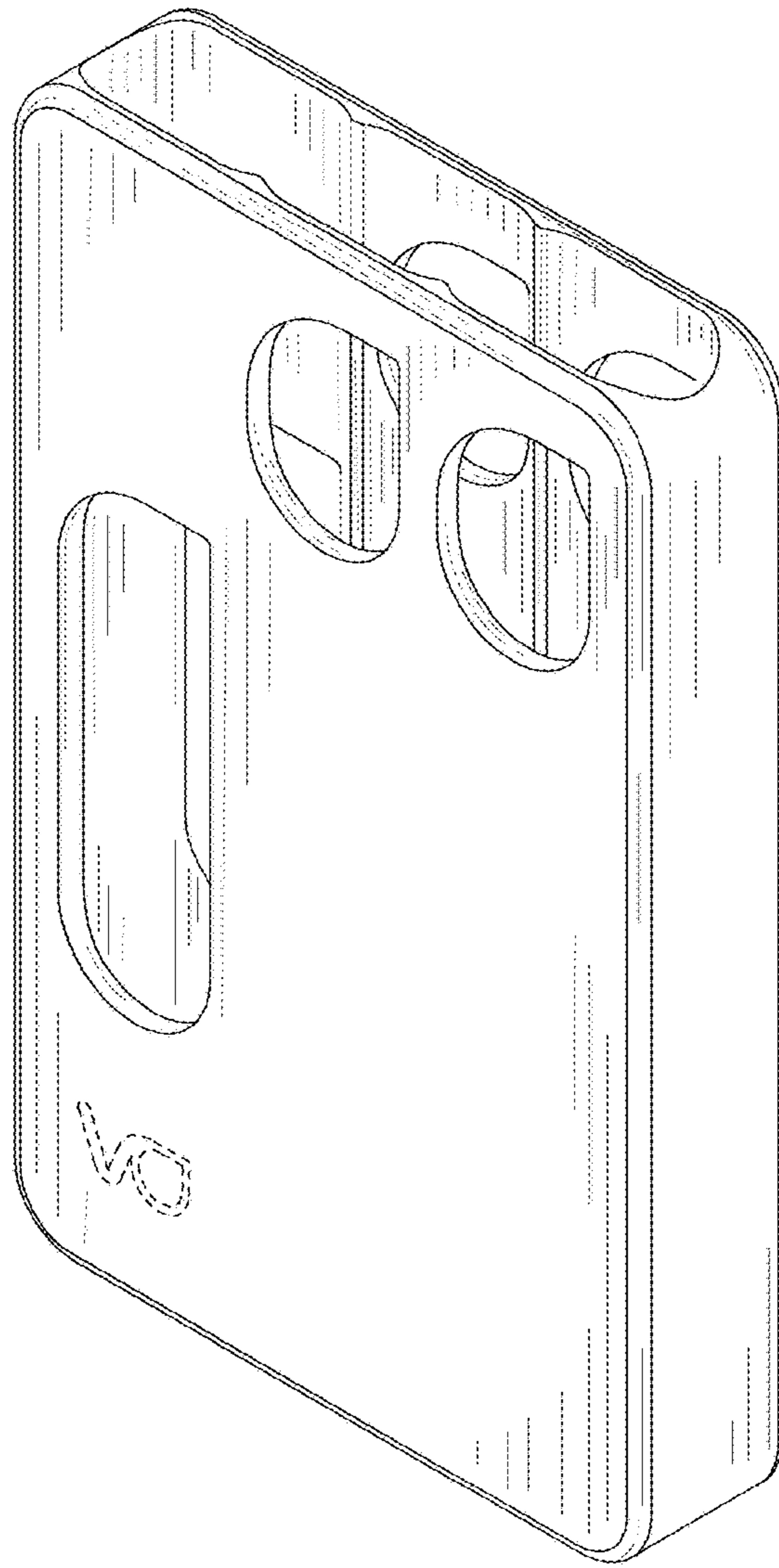


FIG. 1

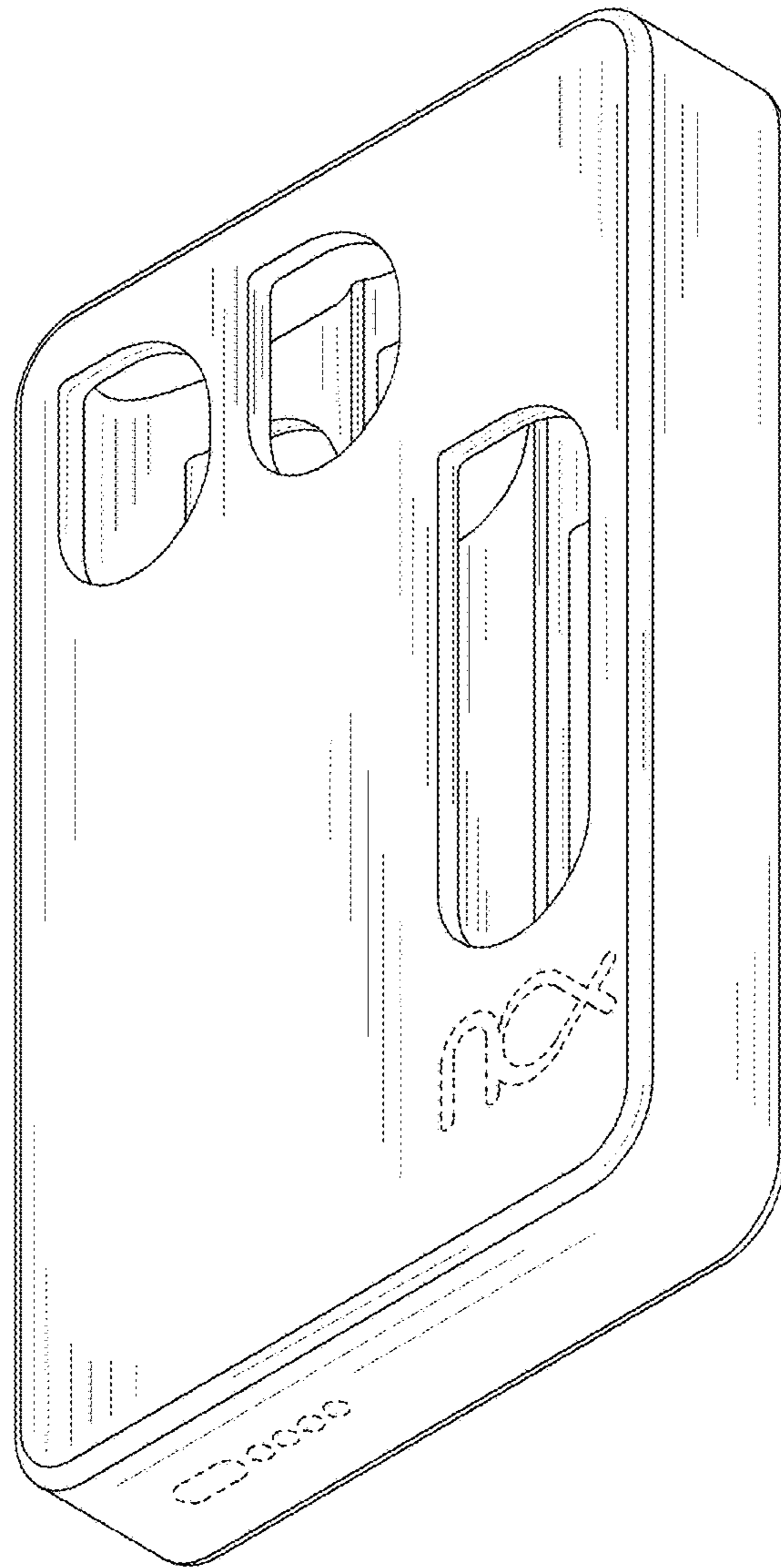


FIG. 2

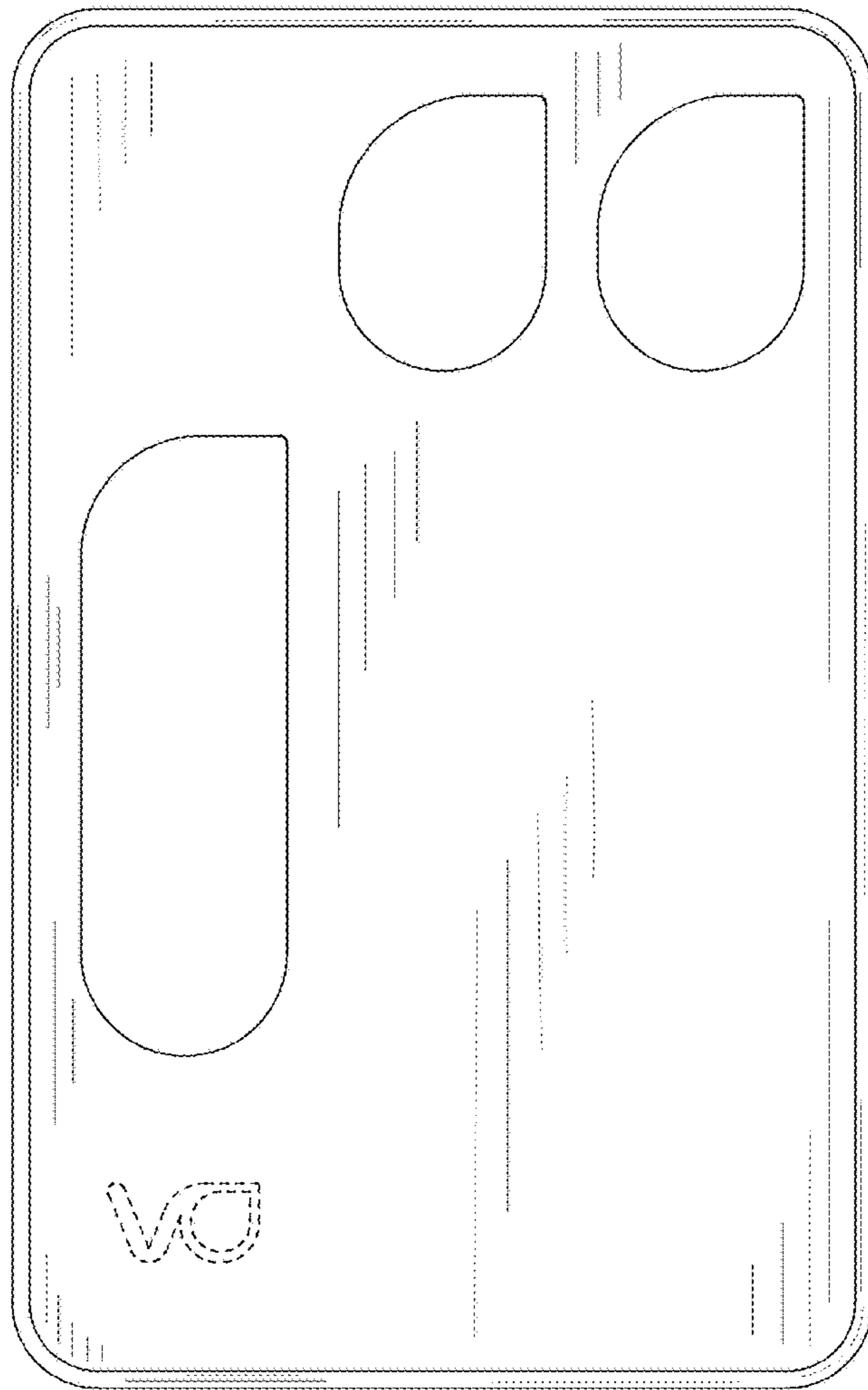


FIG. 3

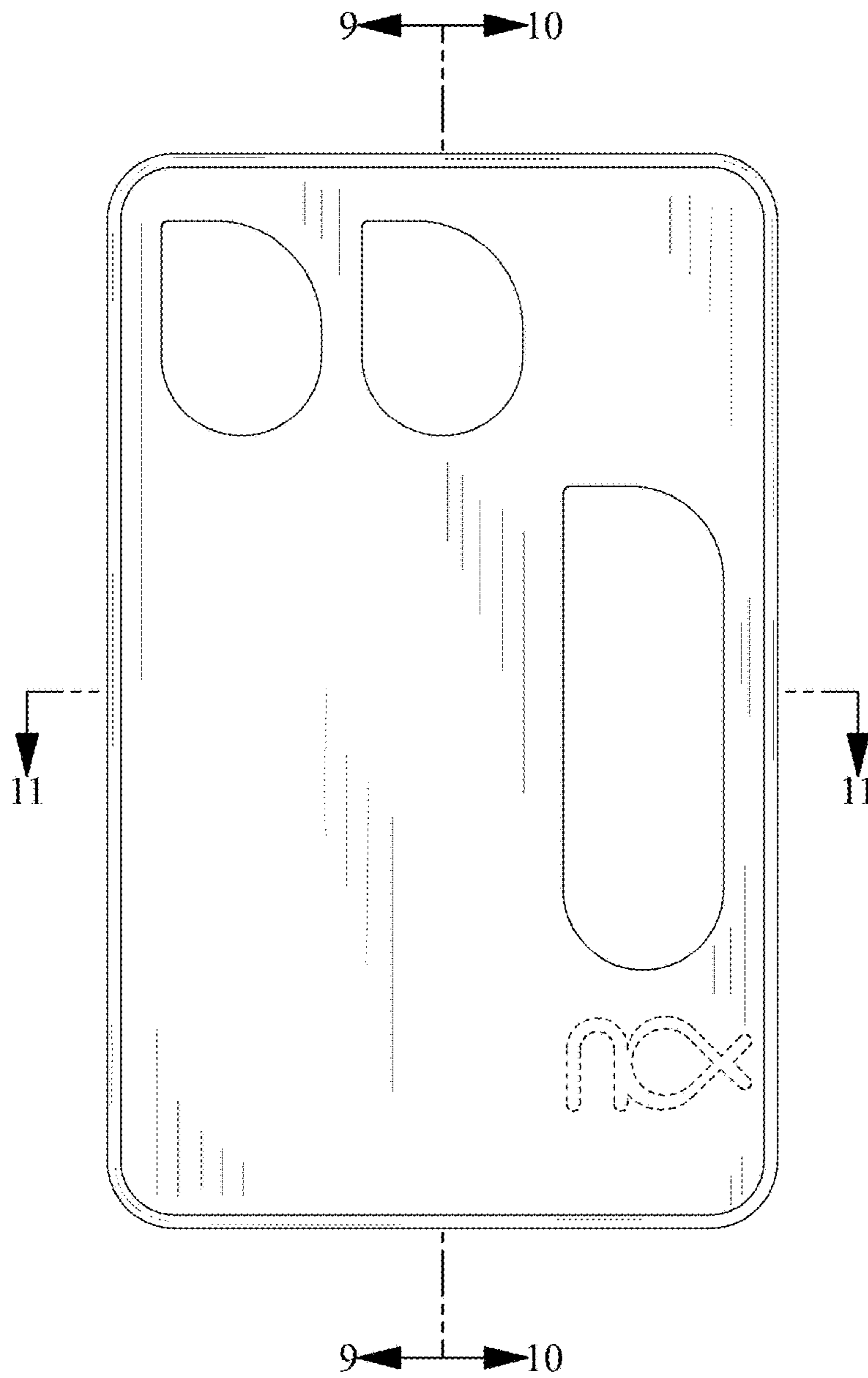


FIG. 4

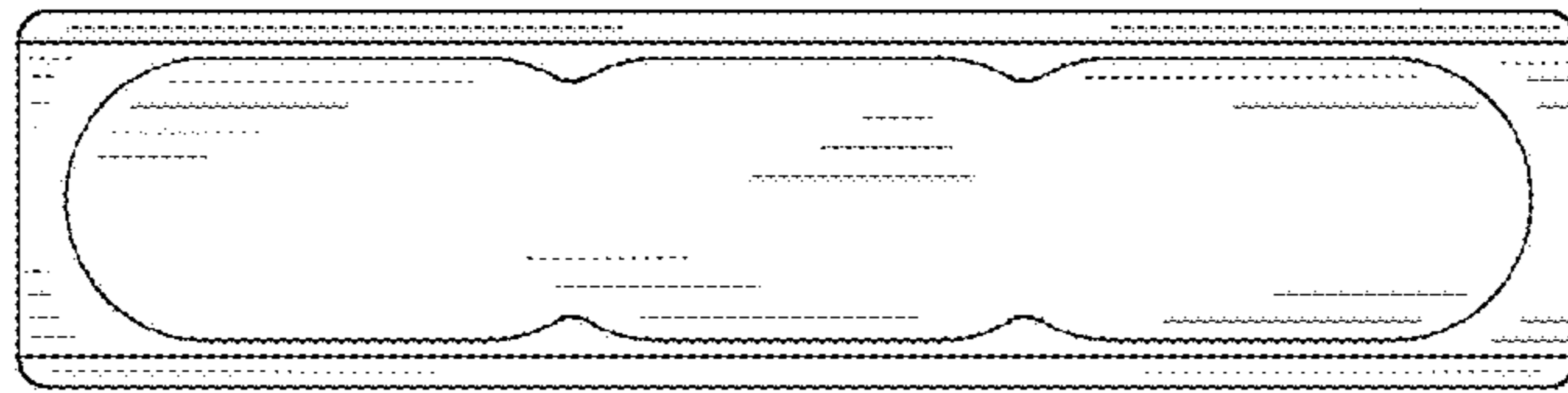


FIG. 5

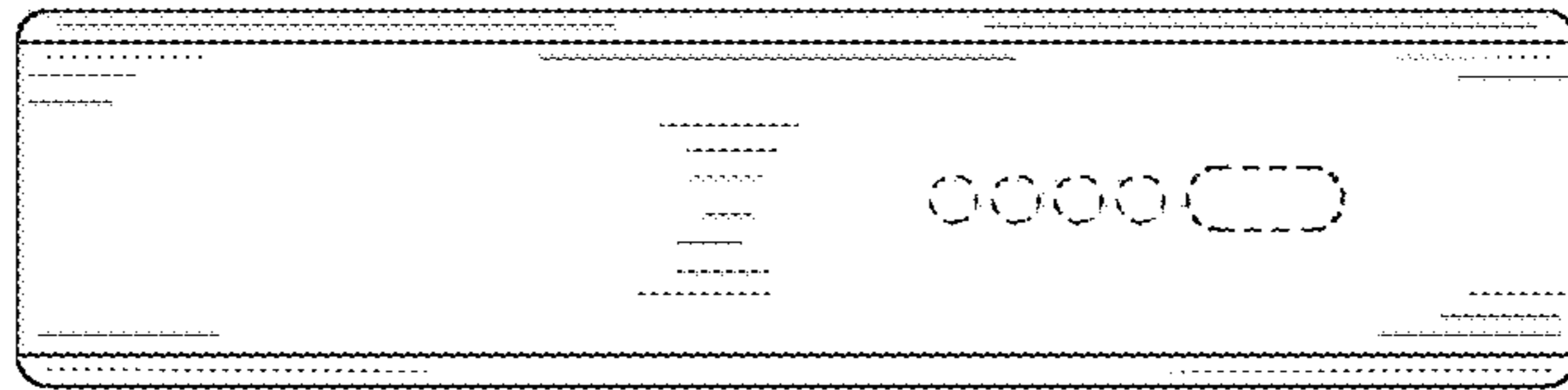


FIG. 6

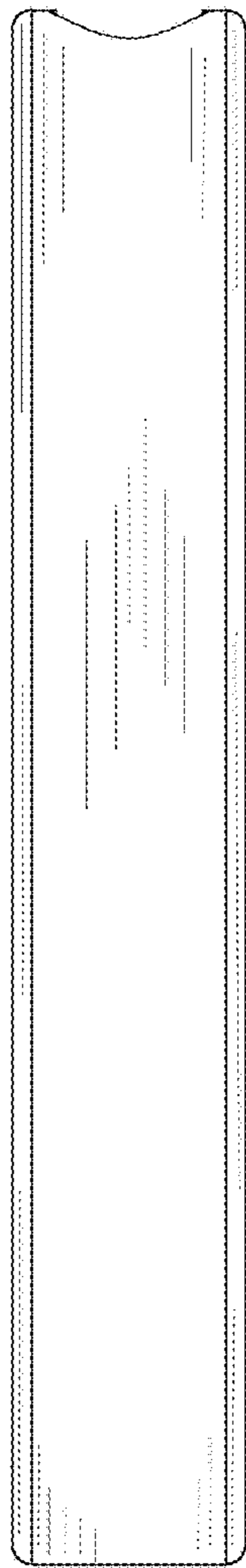


FIG. 7

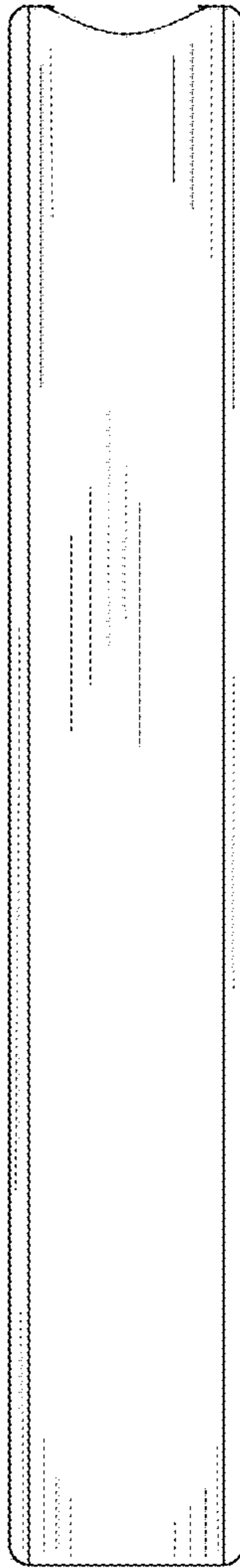


FIG. 8

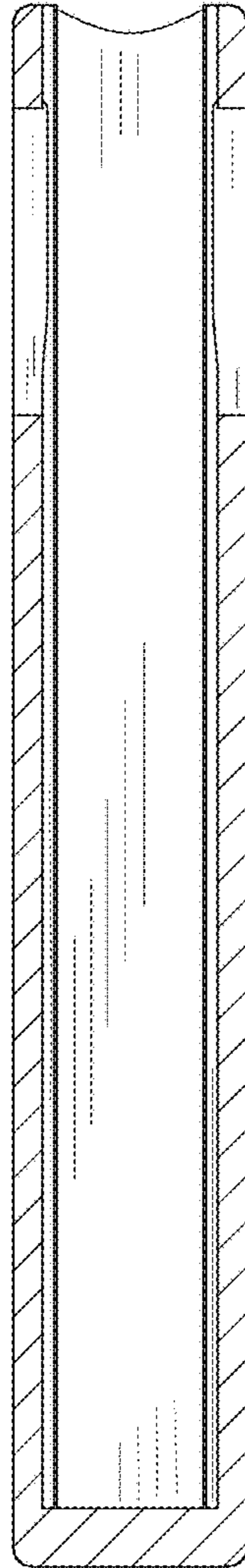


FIG. 9

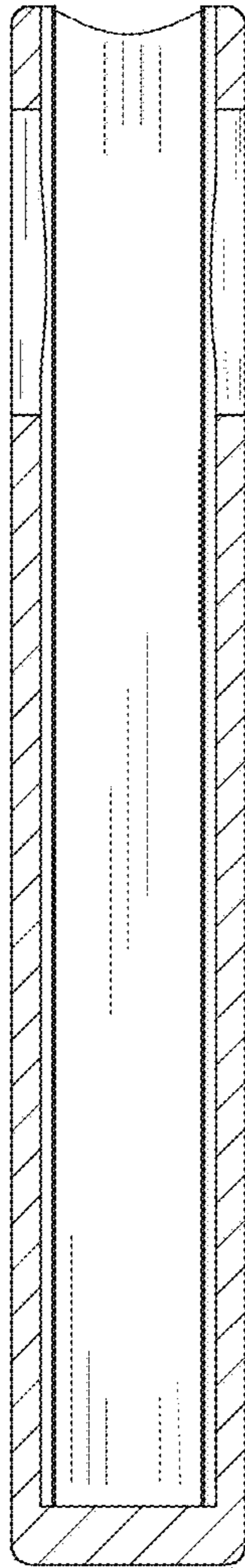


FIG. 10

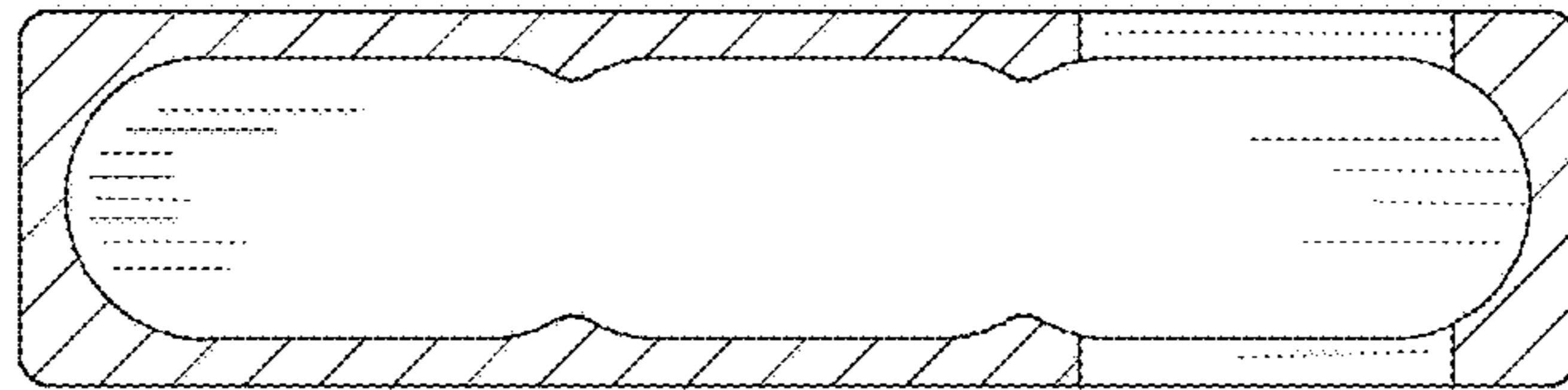


FIG. 11