



US00D855873S

(12) **United States Design Patent**
Haggar

(10) **Patent No.:** **US D855,873 S**

(45) **Date of Patent:** **** Aug. 6, 2019**

- (54) **CEILING FAN LIGHT CAGE**
- (71) Applicant: **HUNTER FAN COMPANY**,
Memphis, TN (US)
- (72) Inventor: **Alexander Jonathan Haggar**,
Memphis, TN (US)
- (73) Assignee: **Hunter Fan Company**, Memphis, TN
(US)

D428,982 S 8/2000 Oldenburg
 D464,722 S 10/2002 Sonneman
 D510,622 S * 10/2005 Tai D23/411
 D516,200 S * 2/2006 Pickett D23/411
 D517,197 S * 3/2006 Pickett D23/411
 7,011,425 B2 * 3/2006 Morris A61L 9/03
 362/161
 D519,200 S 4/2006 Young
 7,036,949 B2 * 5/2006 Srass F04D 25/088
 362/234
 D585,585 S * 1/2009 Hidalgo D26/59
 (Continued)

(**) Term: **15 Years**

(21) Appl. No.: **29/639,346**

(22) Filed: **Mar. 6, 2018**

(51) **LOC (12) Cl.** **26-05**

(52) **U.S. Cl.**
USPC **D26/119**

(58) **Field of Classification Search**
 USPC D26/24, 59, 105, 113, 118, 119, 120,
 D26/123, 124, 128, 137, 138; D30/101,
 D30/102, 104; D8/300, 301, 310;
 362/185, 186, 235, 317, 351; D23/377,
 D23/385, 411
 CPC F21V 15/01; F21V 15/02; F21V 15/012;
 F21V 3/00; F21V 3/02; F21V 3/049;
 F21V 3/061; F21V 29/20; F21V 29/506;
 F21V 29/507

See application file for complete search history.

(56) **References Cited**

U.S. PATENT DOCUMENTS

- 1,369,929 A * 3/1921 Lumley F21V 15/02
362/376
- 2,739,222 A * 3/1956 Gard B64F 1/20
362/410
- 3,838,269 A * 9/1974 Bogdanovs F21V 15/02
362/362
- D290,748 S 7/1987 Kawai
- D392,769 S * 3/1998 Dolan D26/134

OTHER PUBLICATIONS

<http://www.hunterfan.com/Ceiling-Fans/Landsdowne?ModelNumber=59190>, Hunter Fan Landsdowne 52" Ceiling Fan, Cheyenne Bronze Finish, Model No. 59190, accessed Sep. 19, 2017.

(Continued)

Primary Examiner — Wan Laymon

Assistant Examiner — Clint A Samuel

(74) *Attorney, Agent, or Firm* — McGarry Bair PC

(57) **CLAIM**

The ornamental design for a ceiling fan light cage, as shown and described.

DESCRIPTION

FIG. 1 is a top perspective view of a ceiling fan light cage according to my invention;

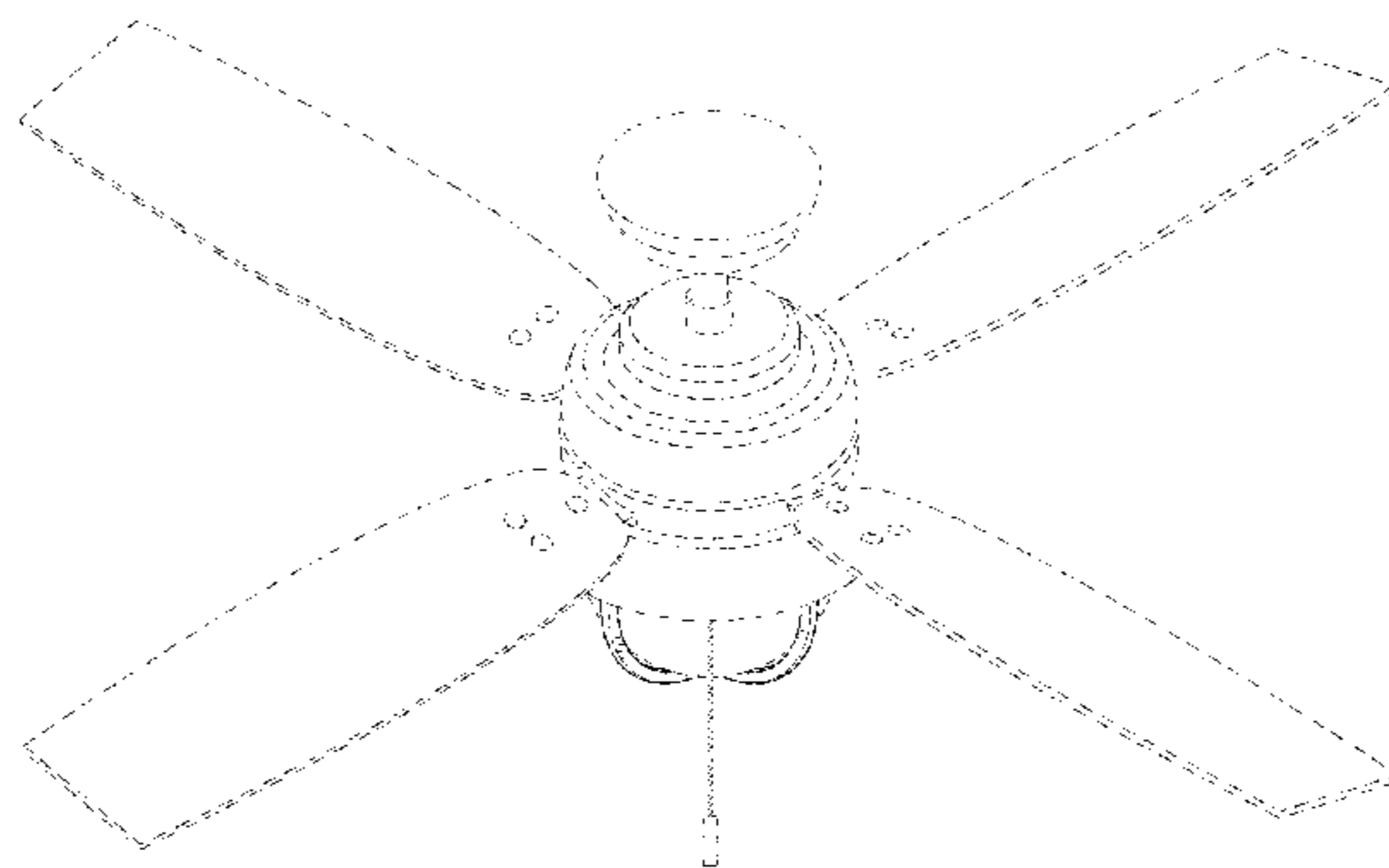
FIG. 2 is a bottom perspective view of the light cage of FIG. 1;

FIG. 3 is a right side elevational view of the light globe of FIG. 1; with front, left and back side views being identical thereto;

FIG. 4 is a bottom view of the light cage of FIG. 1; and, FIG. 5 is a top view of the light cage of FIG. 1.

Portions of the ceiling fan light cage shown in broken lines form no part of the claimed design.

1 Claim, 5 Drawing Sheets



(56)

References Cited

U.S. PATENT DOCUMENTS

7,988,327	B1 *	8/2011	Knoble	F21S 8/036 362/235
D653,795	S *	2/2012	Guercio	D26/119
D673,319	S *	12/2012	Guercio	D26/87
8,348,476	B2 *	1/2013	Fletcher	F21V 15/01 362/249.02
D699,339	S	2/2014	Wang	
D732,157	S *	6/2015	Lin	D23/377
D808,002	S *	1/2018	Holmes	D23/377
D821,017	S *	6/2018	Brannon	D26/87
D834,172	S *	11/2018	Guthrie	D23/411
D834,698	S *	11/2018	Hidalgo	D23/377
D840,017	S *	2/2019	Holmes	D23/411
2014/0340903	A1 *	11/2014	Mahr	F21V 23/001 362/249.08
2017/0292693	A1 *	10/2017	Ohai	F21V 15/02

OTHER PUBLICATIONS

[http://www.hunterfan.com/Ceiling-Fans/Coral-Gables-\(2\)?ModelNumber=59280](http://www.hunterfan.com/Ceiling-Fans/Coral-Gables-(2)?ModelNumber=59280), Hunter Fan Coral Gables 54" Ceiling Fan, Weathered Zinc Finish, Model No. 59280, accessed Sep. 19, 2017.
<http://www.kichler.com/products/product/54-inch-seaside-fan-ni-310131ni.aspx>, Kichler Seaside Collection 54 Inch Seaside Fan, Nickel Finish, Model No. 31013NI, accessed Sep. 19, 2017.

<http://www.minkagroup.net/minka-aire/products>, Minka Rainman 54" Ceiling Fan in Galvanized Finish with 5 (ABS) Silver Finish Blades, Model No. F582-GL, accessed Sep. 19, 2017.
<http://www.kingoffans.com/#/products>, King of Fans North, Natural Iron, Model No. 51546, accessed Sep. 19, 2017.
<http://www.homedepot.com/p/Hampton-Bay-Sailwind-II-52-in-Indoor-Outdoor-Oil-Rubbed-Bronze-Ceiling-Fan-with-Wall-Control-AG908OD-ORB/203244825>, Hampton Bay Sailwind II 52" Indoor/Outdoor Oil-Rubbed Bronze Ceiling Fan with Wall Control, Model No. AG908OD-ORB, accessed Sep. 19, 2017.
<https://www.barnlightelectric.com/barn-ceiling-fans/vintage-ceiling-fans/the-emerson-ceiling-fan.html>, Emerson 52" Barn Light Electric Ceiling Fan, Oil Can Finish, Code No. 265MB52, accessed Sep. 19, 2017.
<http://ceilingfans.emerson.com/shop/en/fan/fan-s-all/fans-s-browse-all/sea-breeze-fan-p-cf654>, Emerson Sea Breeze, Traditional Indoor/Outdoor Ceiling Fan in Bronze, Model No. P-CF654, accessed Sep. 19, 2017.
<http://www.minkagroup.net/all-collections?keys=F683%20>, Minka Shade 56" 4-Blades LED Ceiling Fan in Grey Iron Finish with Matte Black Blades w/Clear Fresnel Glass, Model No. F683L-GI, accessed Sep. 19, 2017.
<https://www.lowes.com/pd/Hunter-Allegheny-52-in-New-Bronze-Flush-Mount-Indoor-Outdoor-Ceiling-Fan-with-Light-Kit/3819969>, Hunter Allegheny 52-in. New Bronze Flush Mount Indoor/Outdoor Ceiling Fan with Light Kit, accessed Apr. 6, 2018.

* cited by examiner

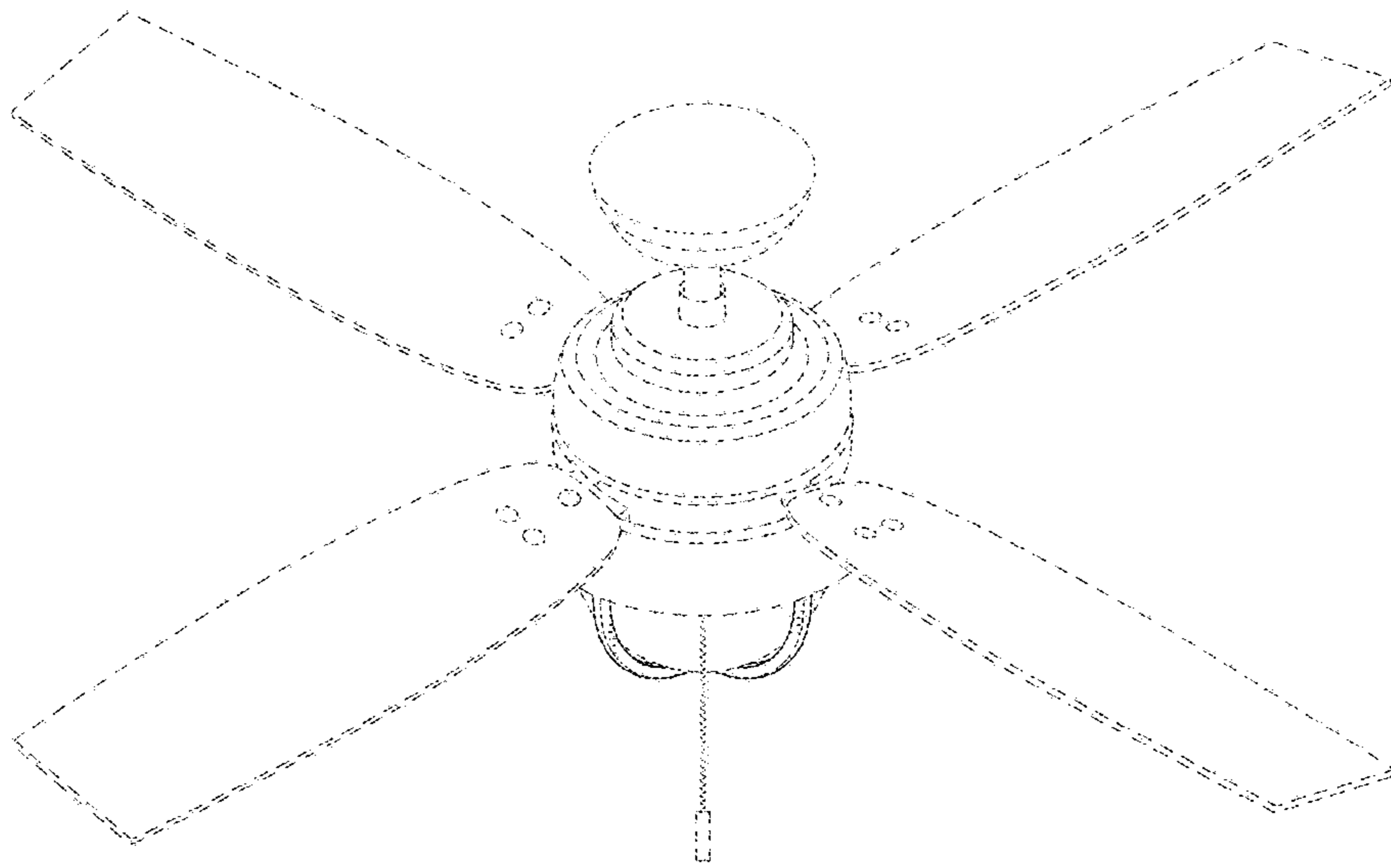


FIG.1

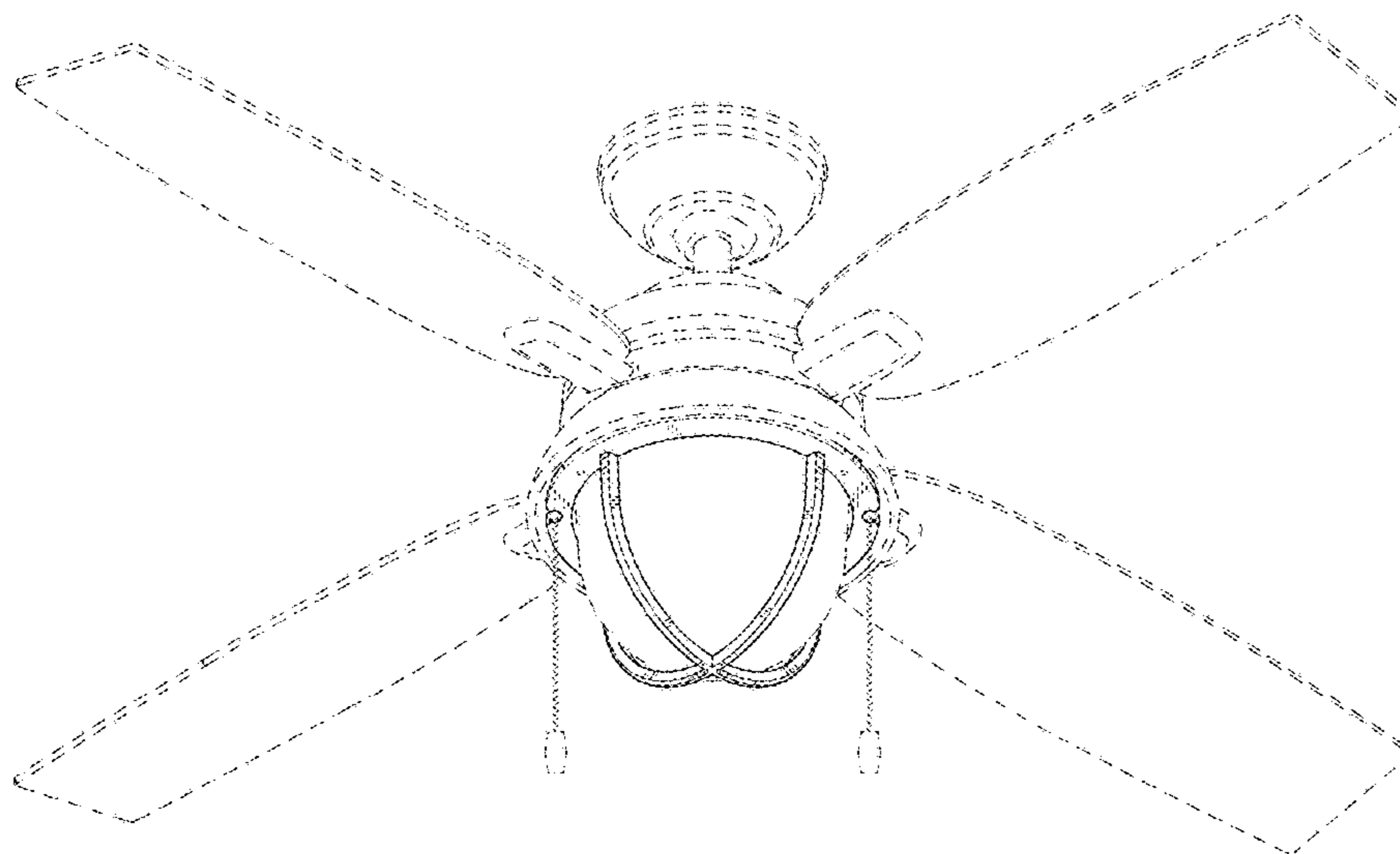


FIG.2

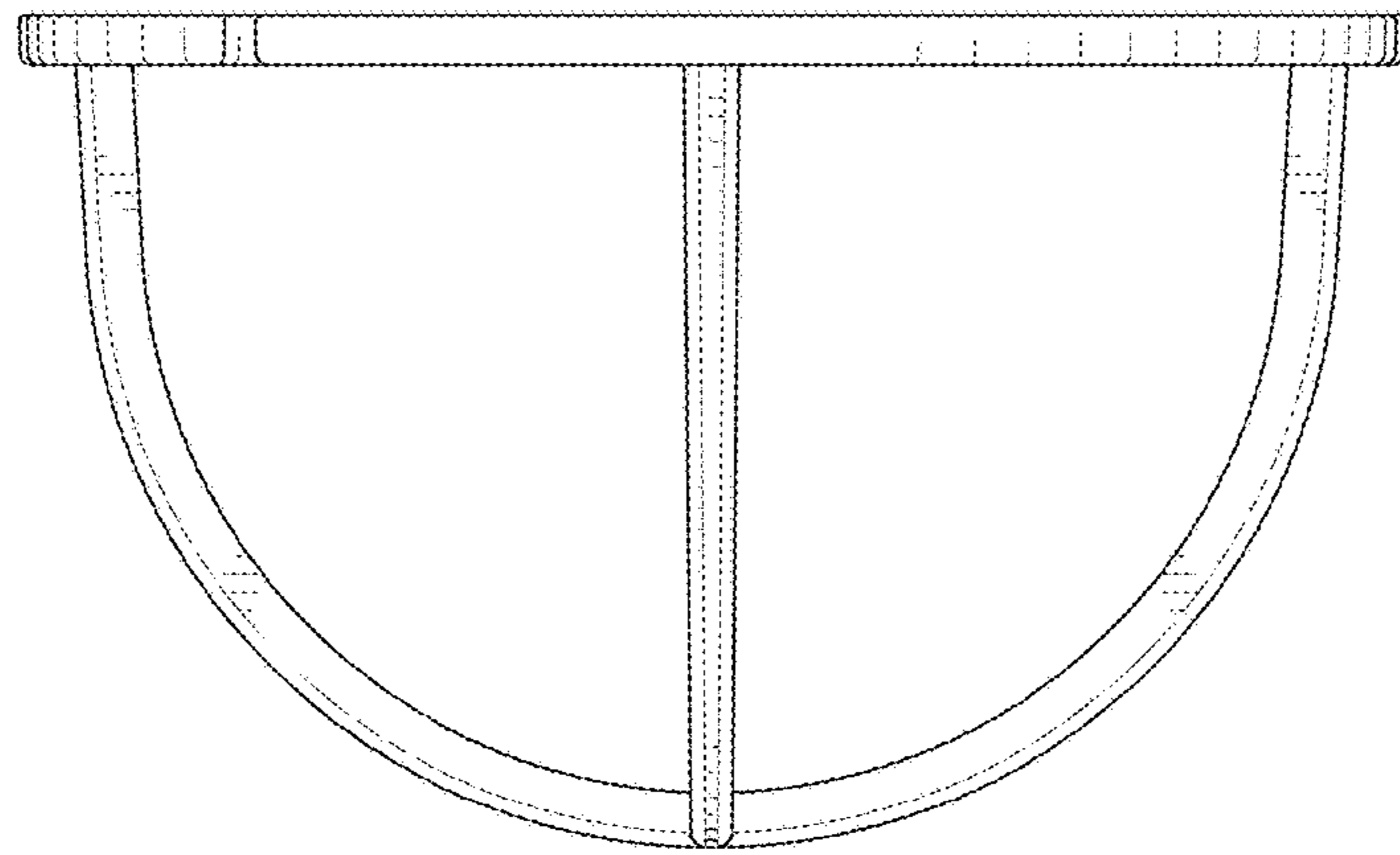


FIG.3

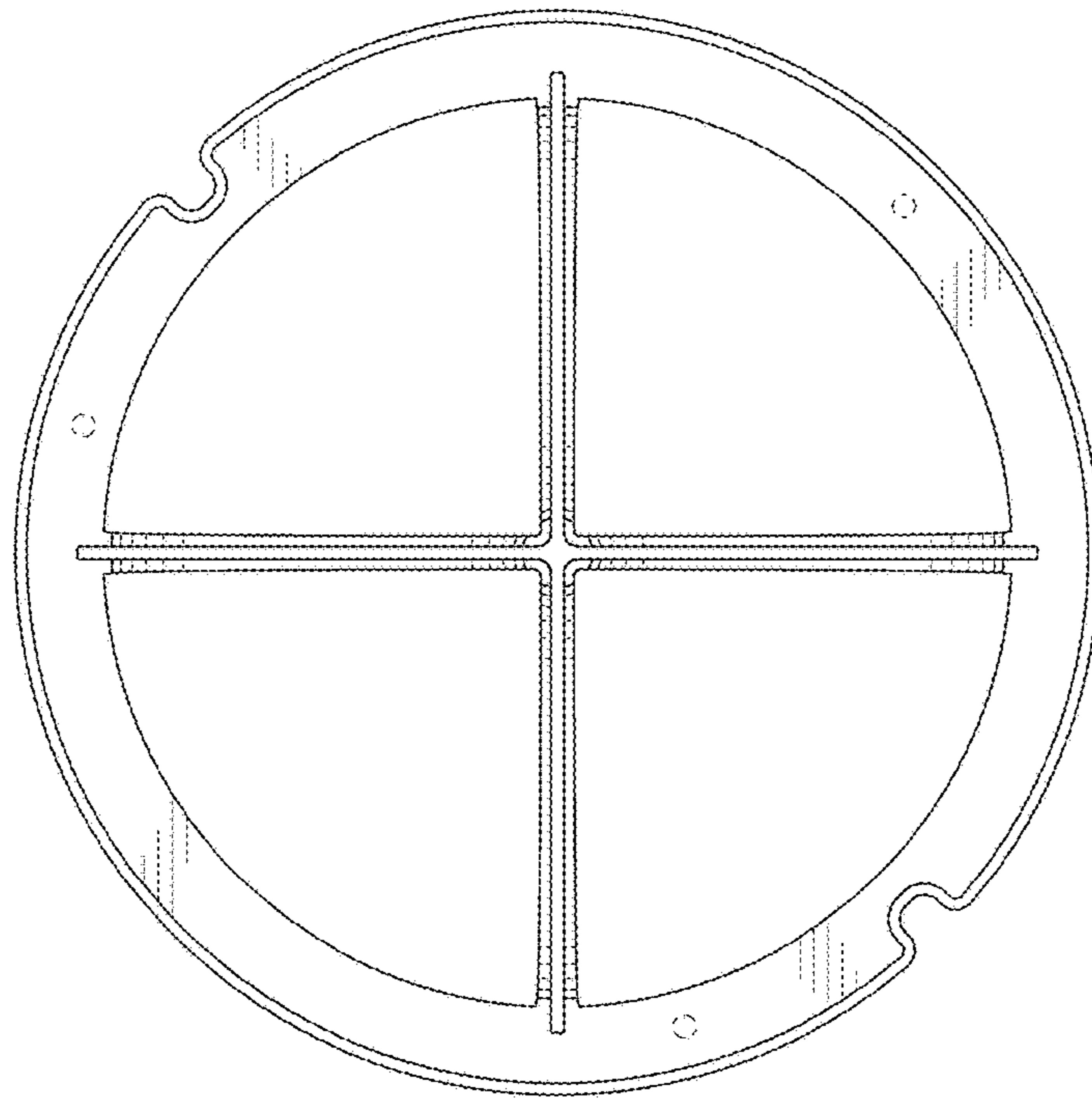


FIG. 4

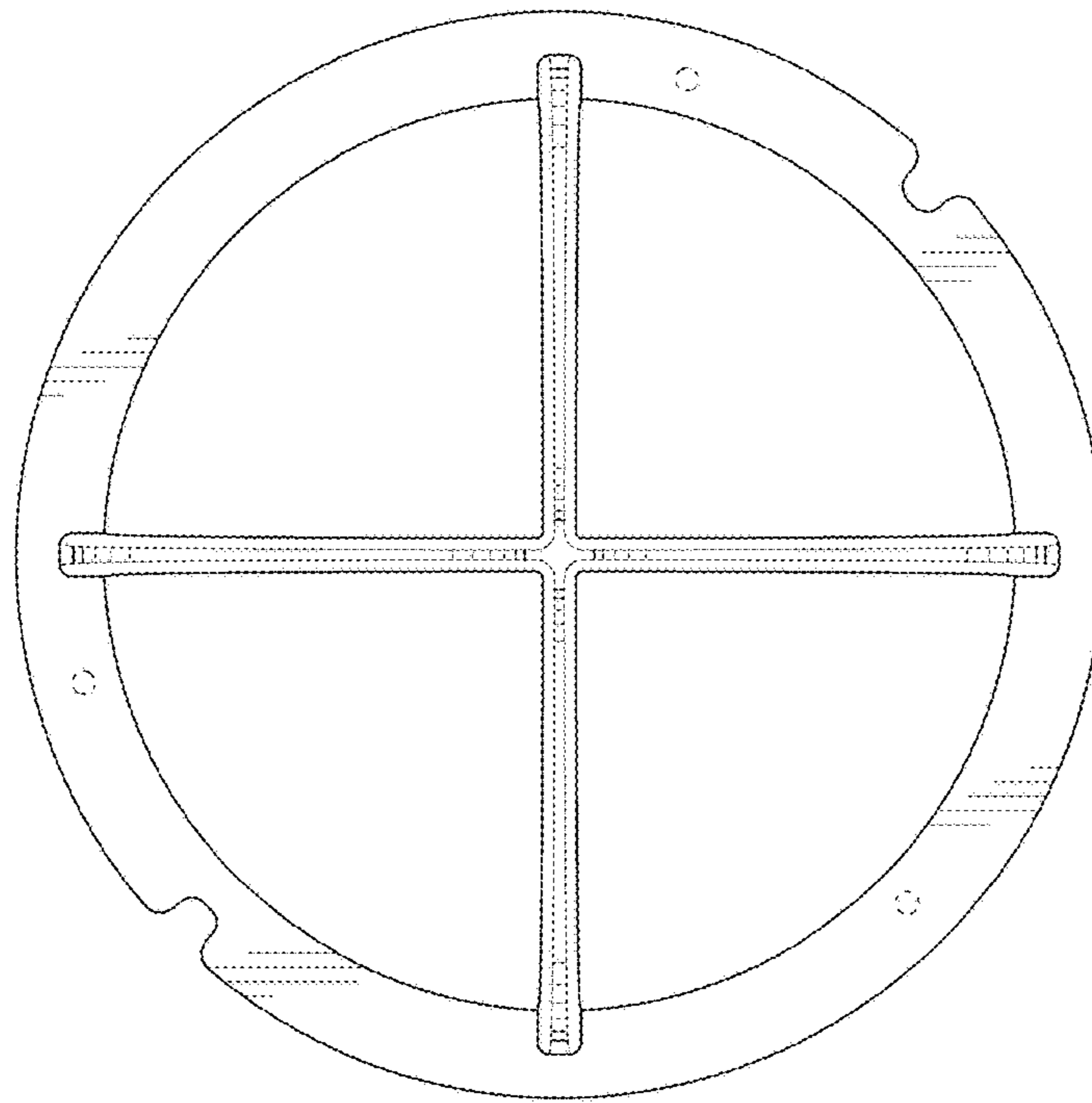


FIG.5