



US00D855868S

(12) **United States Design Patent**  
**Sonneman**

(10) **Patent No.:** **US D855,868 S**

(45) **Date of Patent:** **\*\* Aug. 6, 2019**

(54) **LIGHT FIXTURE**

(71) Applicant: **Contemporary Visions, LLC,**  
Larchmont, NY (US)

(72) Inventor: **Robert A. Sonneman,** Mamaroneck,  
NY (US)

(73) Assignee: **Contemporary Visions, LLC,**  
Larchmont, NY (US)

(\*\*) Term: **15 Years**

(21) Appl. No.: **29/672,993**

(22) Filed: **Dec. 11, 2018**

(51) **LOC (12) Cl.** ..... **26-03**

(52) **U.S. Cl.**  
USPC ..... **D26/87; D26/86**

(58) **Field of Classification Search**  
USPC ..... D26/72, 80-92, 118  
CPC .... F21S 8/03; F21S 8/033; F21S 8/036; F21S  
8/037; F21S 8/038; F21S 8/04; F21S  
8/043; F21S 8/046; F21S 8/06; F21S  
8/061; F21S 8/063; F21S 8/065; F21S  
8/068

See application file for complete search history.

(56) **References Cited**

**U.S. PATENT DOCUMENTS**

D43,646 S *	2/1913	D'A.	.....	D26/88
D78,477 S *	5/1929	McFadden	.....	D26/85
D79,375 S *	9/1929	Lazerson	.....	D26/88
D79,655 S *	10/1929	Hoch	.....	D26/85
D191,369 S *	9/1961	Martin	.....	D26/87
D309,955 S *	8/1990	Gismondi	.....	D26/87
D482,818 S *	11/2003	Vegliante	.....	D26/128
D541,971 S *	5/2007	Hamel	.....	D26/85
D634,470 S *	3/2011	Hsieh	.....	D26/118
D659,885 S *	5/2012	Holder	.....	D26/88

D660,501 S *	5/2012	Martin	.....	D26/82
D660,504 S *	5/2012	Martin	.....	D26/136
D668,373 S *	10/2012	Martin	.....	D26/88
D712,583 S *	9/2014	Albicini	.....	D26/88
D741,537 S *	10/2015	Bakker	.....	D26/118
D780,984 S *	3/2017	Urquiola	.....	D26/107
D781,484 S *	3/2017	Urquiola	.....	D26/85
D809,181 S *	1/2018	Calvo Lopez	.....	D26/88
D826,457 S *	8/2018	Amato	.....	D26/86

**OTHER PUBLICATIONS**

Calla® Collection from Sonneman A Way of Light. <<https://sonnemanawayoflight.com>> visited Mar. 7, 2019. (Year: 2019).\*  
Switch Wall Sconce by Javier Robles for Lumifer. Online Catalog © 2018 at lumifer.us. (Year: 2018).\*

(Continued)

*Primary Examiner* — Clare E Heflin

(74) *Attorney, Agent, or Firm* — Gottlieb, Rackman & Reisman, P.C.

(57) **CLAIM**

The ornamental design for a light fixture, as shown and described.

**DESCRIPTION**

FIG. 1 is a perspective view of a light fixture showing our new design;

FIG. 2 is a first side elevational view thereof;

FIG. 3 is a second side elevational view thereof;

FIG. 4 is a third side elevational view thereof;

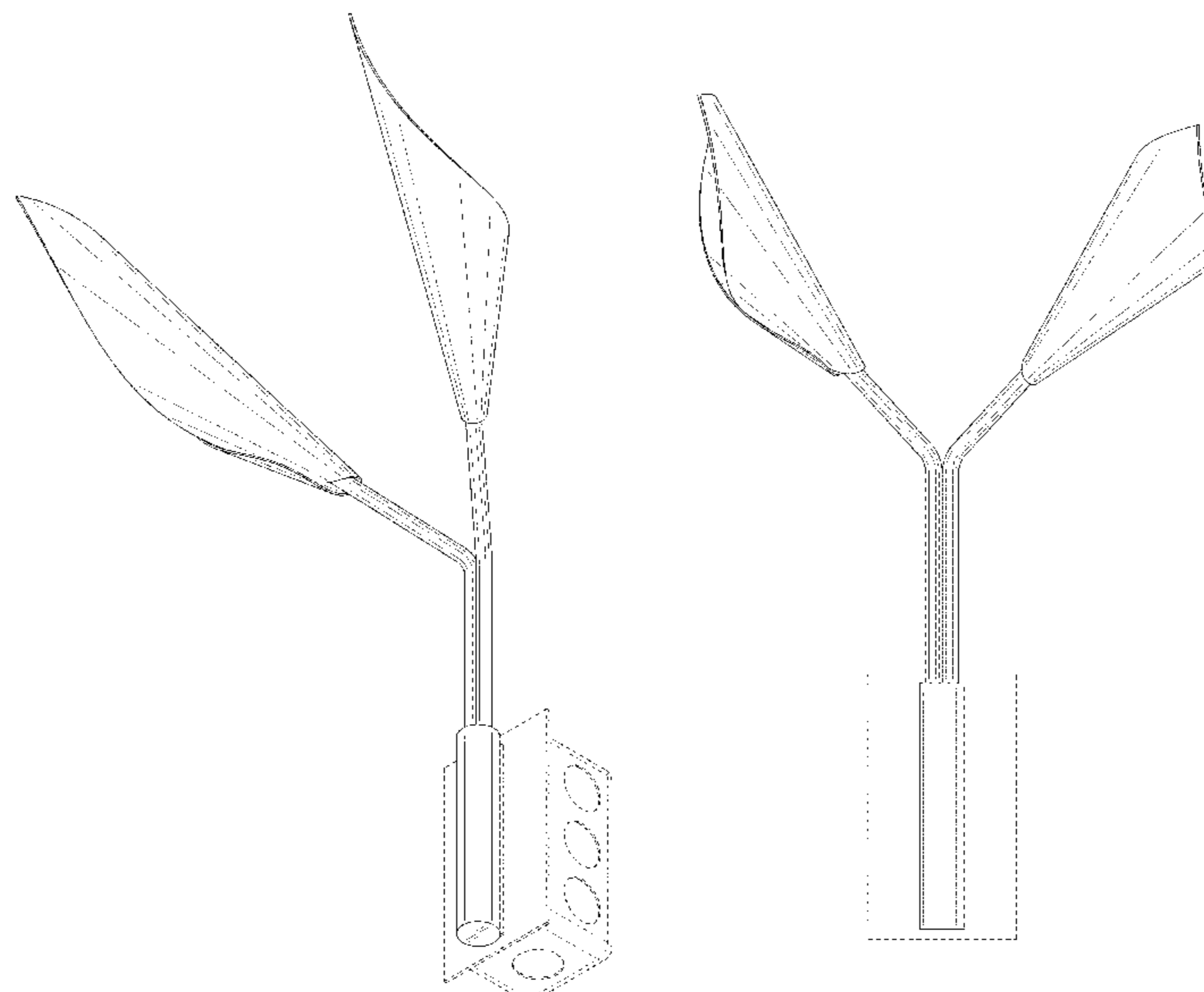
FIG. 5 is a fourth side elevational view thereof;

FIG. 6 is a top plan view thereof; and,

FIG. 7 is a bottom plan view thereof.

The broken lines shown in the drawings are included for the purpose of illustrating elements of the light fixture, that is surface mountable, that form no part of the claimed design.

**1 Claim, 7 Drawing Sheets**



(56)

**References Cited**

OTHER PUBLICATIONS

Forwin floor lamp. ASIN: B07MRJ5P3N found at amazon.com visited Mar. 7, 2019. (Year: 2019).\*

LumiSource—Lili Floor Lamp. Video published at youtube.com Jun. 3, 2013. (Year: 2013).\*

Calla Wall Light. Product No. KZC583118 at Lightology.com. Site visited Mar. 7, 2019. (Year: 2019).\*

Pappardelle Direct light pendant lamp by Gama Decor found at <archiproducts.com> visited Mar. 7, 2019. (Year: 2019).\*

\* cited by examiner

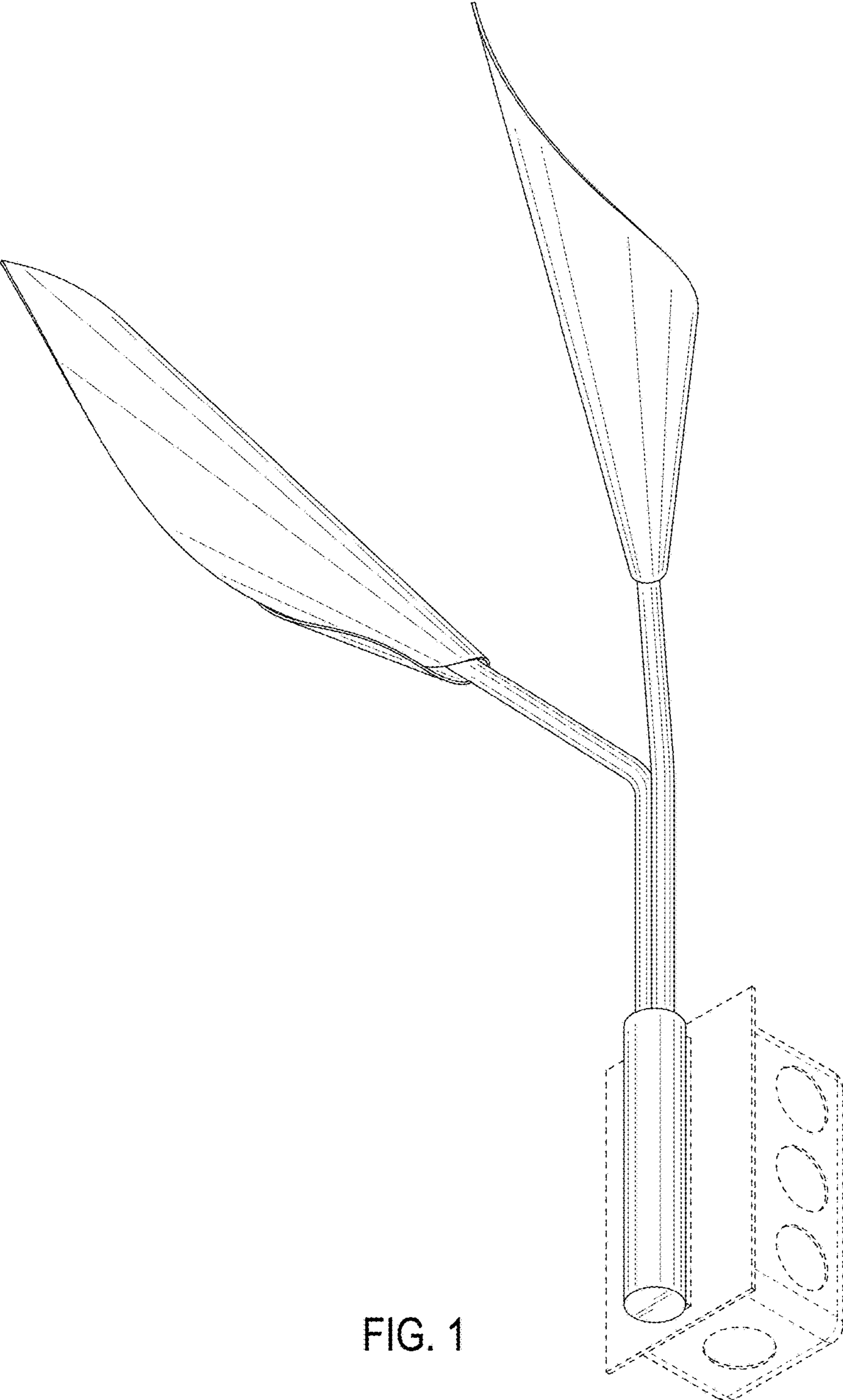


FIG. 1

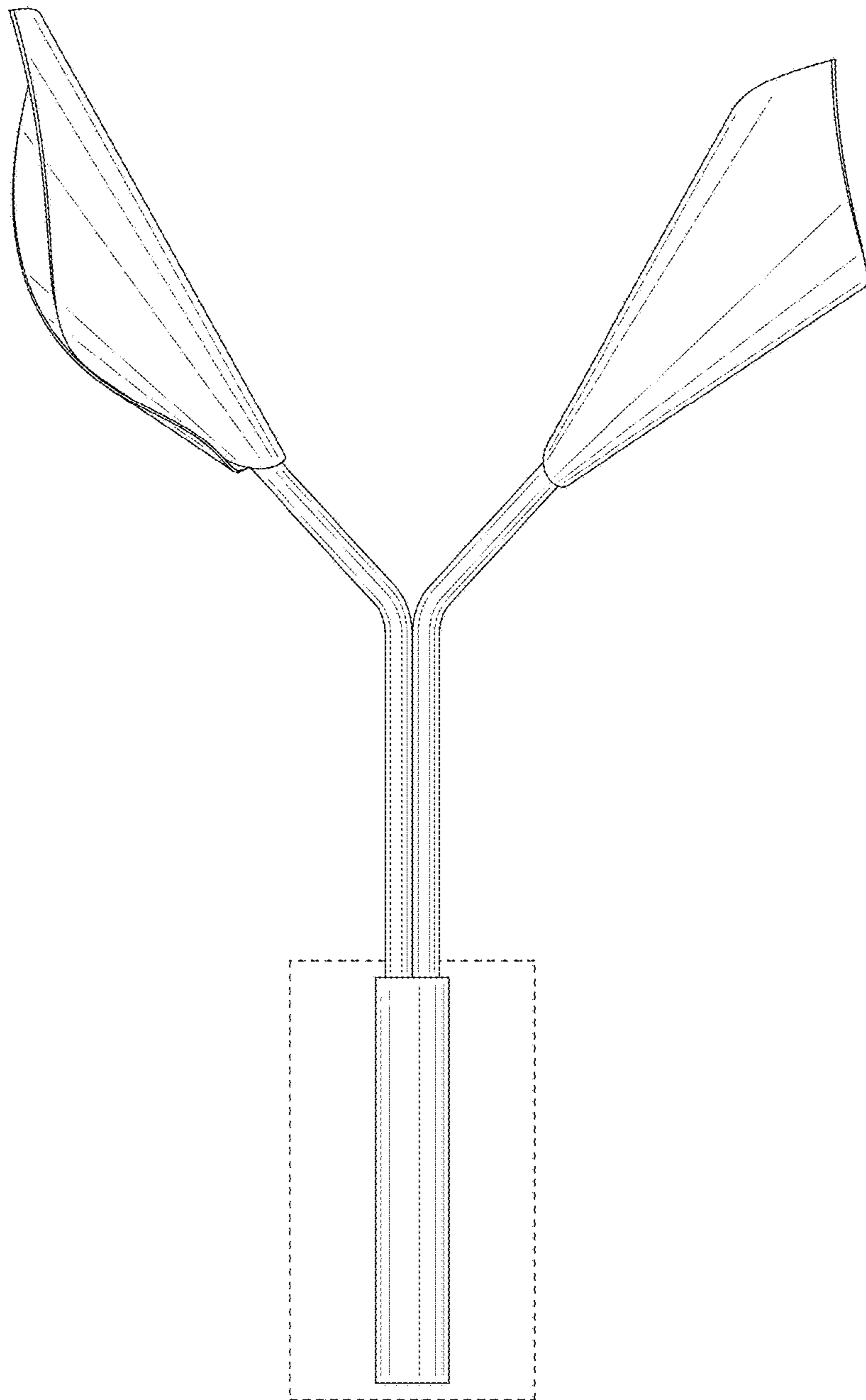


FIG. 2

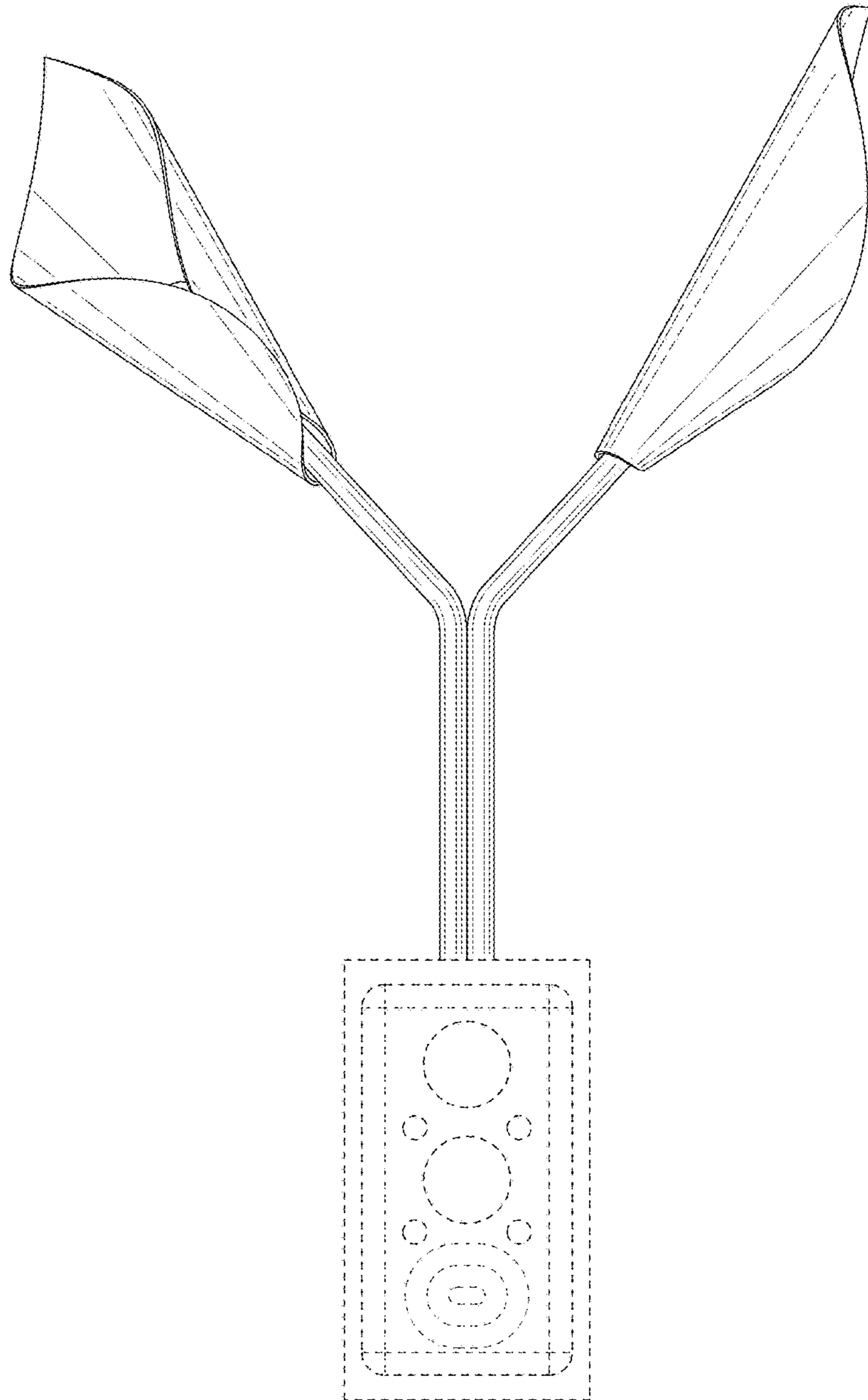


FIG. 3

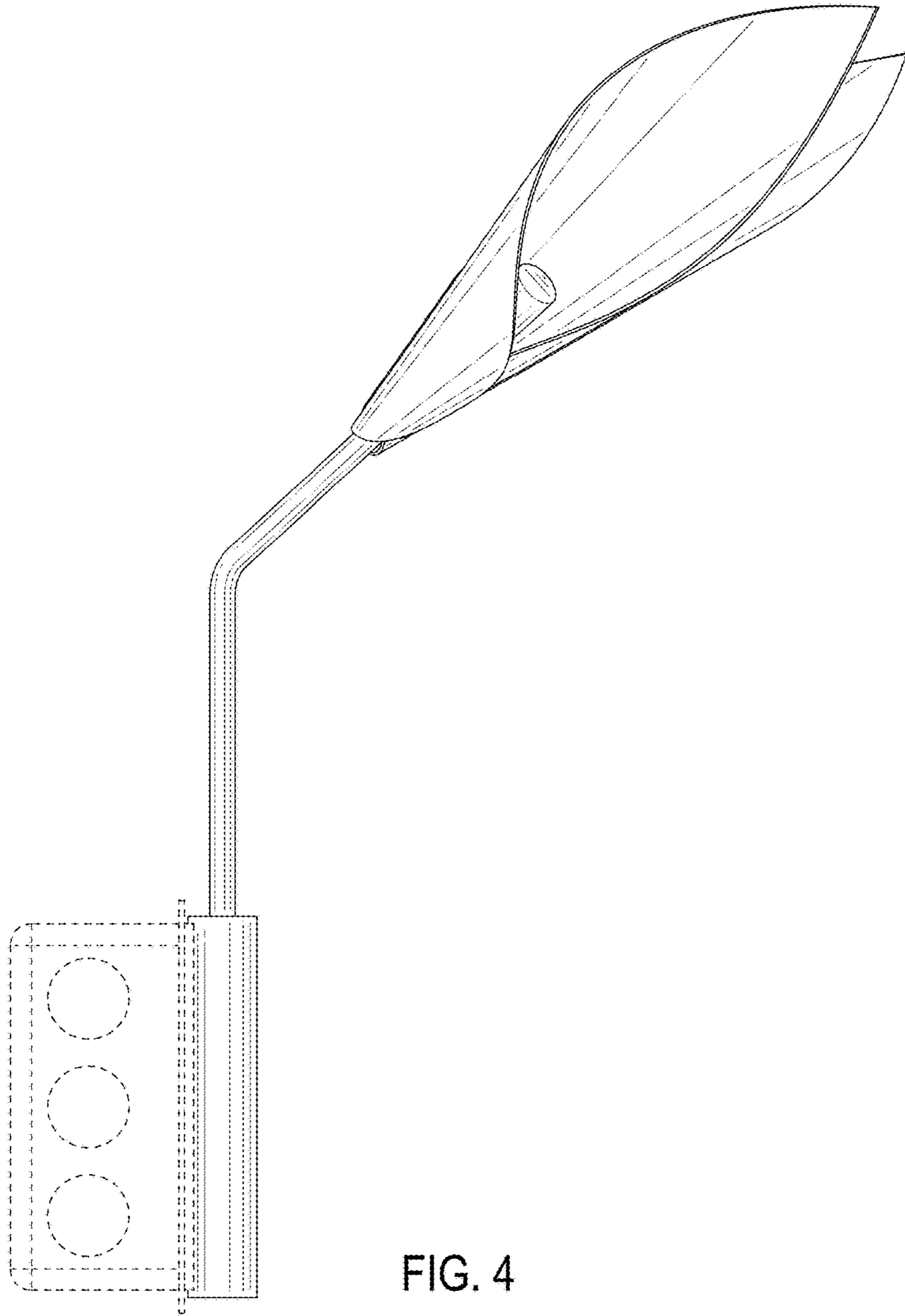


FIG. 4



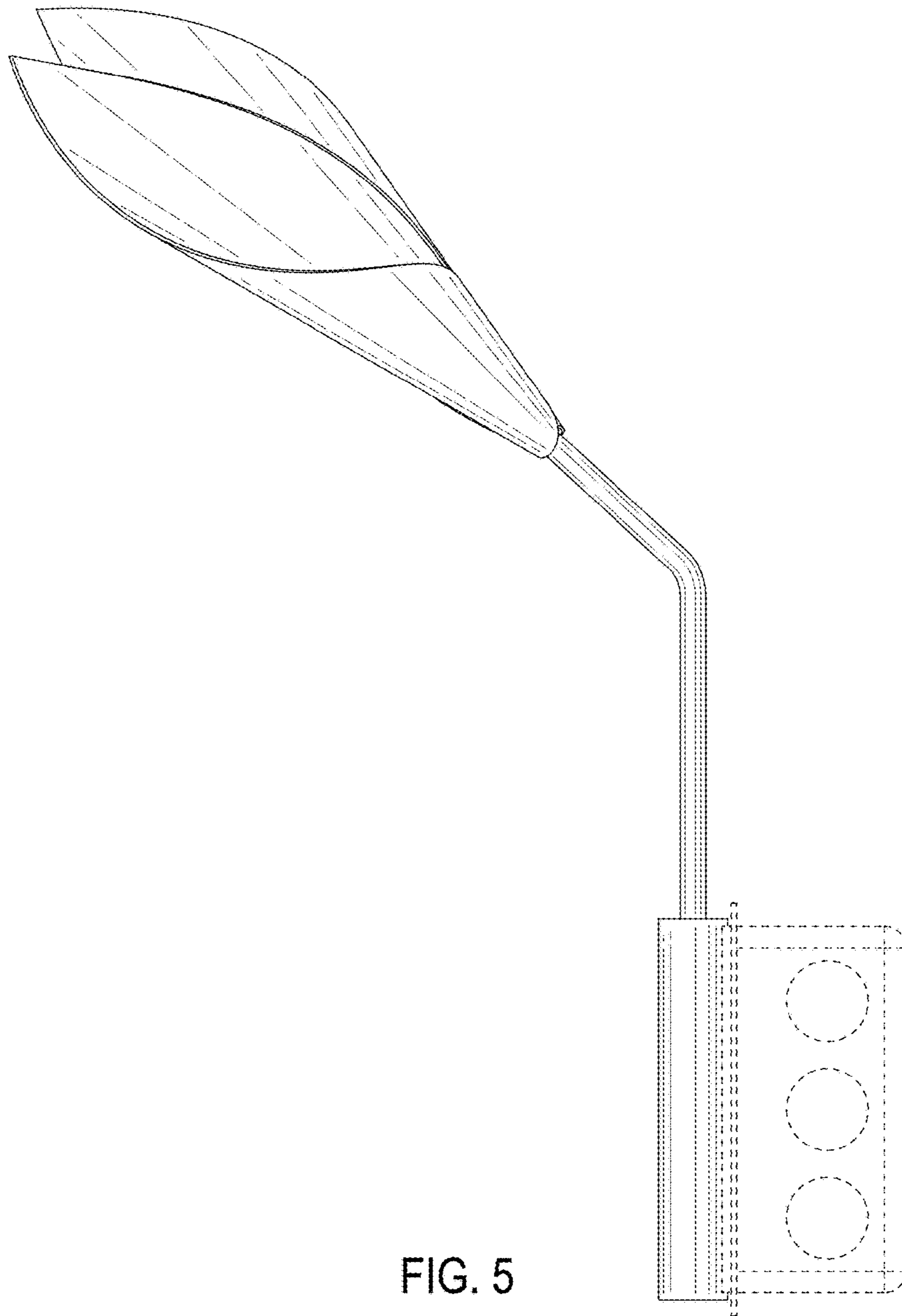


FIG. 5

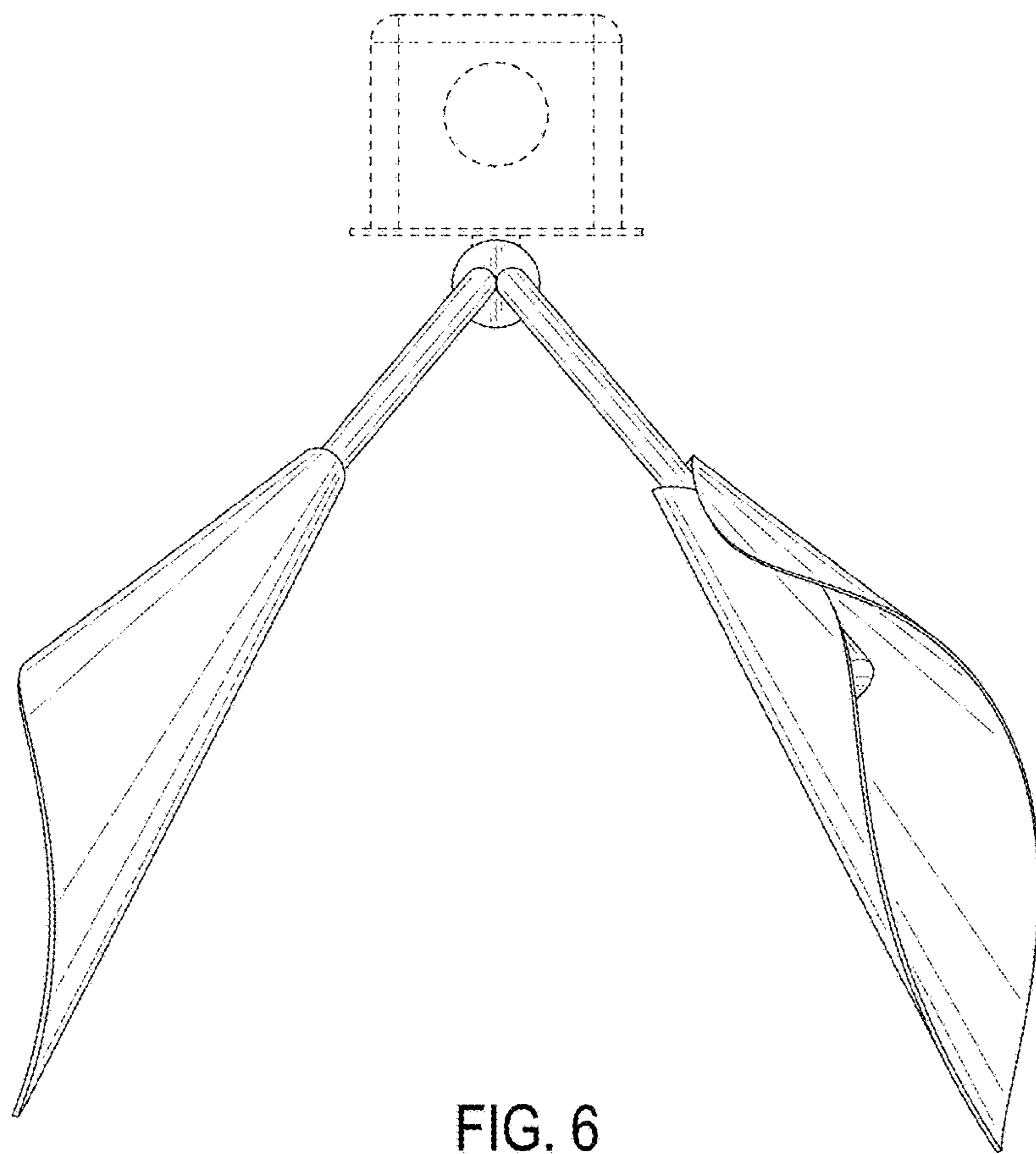


FIG. 6



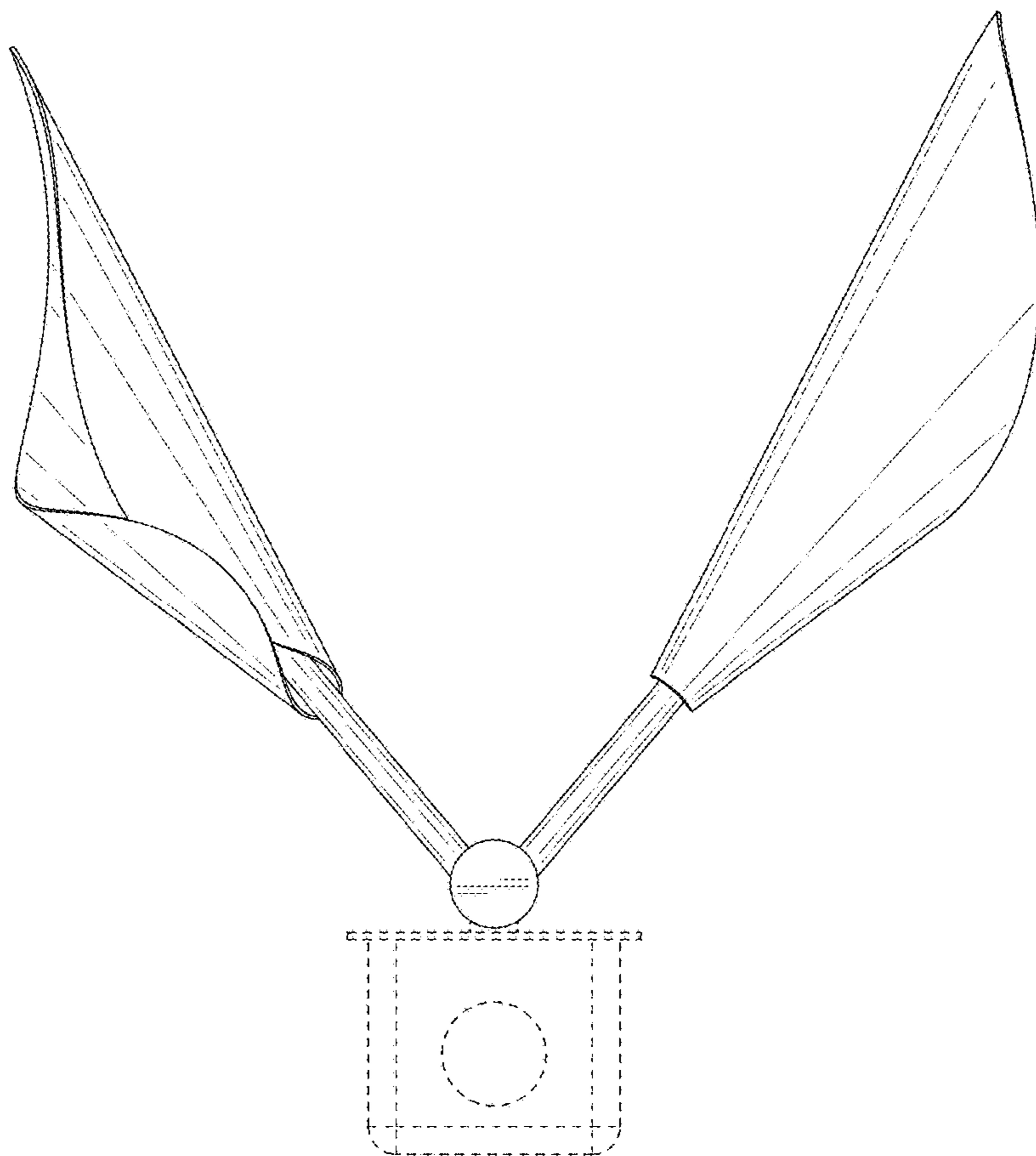


FIG. 7