



US00D855866S

(12) **United States Design Patent**  
**Sonneman**

(10) **Patent No.:** **US D855,866 S**

(45) **Date of Patent:** **\*\* Aug. 6, 2019**

(54) **LIGHT FIXTURE**

(71) Applicant: **Contemporary Visions, LLC,**  
Larchmont, NY (US)

(72) Inventor: **Robert A. Sonneman,** Mamaroneck,  
NY (US)

(73) Assignee: **Contemporary Visions, LLC,**  
Larchmont, NY (US)

(\*\*) Term: **15 Years**

(21) Appl. No.: **29/672,990**

(22) Filed: **Dec. 11, 2018**

(51) **LOC (12) Cl.** ..... **26-03**

(52) **U.S. Cl.**  
USPC ..... **D26/87**

(58) **Field of Classification Search**  
USPC ..... D26/72, 80-92, 118  
CPC .... F21S 8/03; F21S 8/033; F21S 8/036; F21S  
8/037; F21S 8/038; F21S 8/04; F21S  
8/043; F21S 8/046; F21S 8/06; F21S  
8/061; F21S 8/063; F21S 8/065; F21S  
8/068

See application file for complete search history.

(56) **References Cited**

U.S. PATENT DOCUMENTS

D79,375 S *	9/1929	Lazerson	.....	D26/88
D79,655 S *	10/1929	Hoch	.....	D26/85
D80,639 S *	3/1930	Rosenblatt	.....	D26/80
D309,955 S *	8/1990	Gismondi	.....	D26/87
5,567,043 A *	10/1996	Swanson	.....	F21S 2/00 362/249.01
D398,415 S *	9/1998	Markee	.....	D26/118
D482,818 S *	11/2003	Vegliante	.....	D26/128
D582,090 S *	12/2008	Osgerby	.....	D26/87
D595,009 S *	6/2009	Osgerby	.....	D26/107
D600,849 S *	9/2009	Osgerby	.....	D26/107

D613,449 S *	4/2010	Ngai	.....	D26/88
D634,470 S *	3/2011	Hsieh	.....	D26/118
D636,521 S *	4/2011	Lovegrove	.....	D26/88
D638,976 S *	5/2011	Howis	.....	D26/80
D646,426 S *	10/2011	Wolk	.....	D26/85
D659,885 S *	5/2012	Holder	.....	D26/88
D741,537 S *	10/2015	Bakker	.....	D26/118
D780,984 S *	3/2017	Urquiola	.....	D26/107
D781,484 S *	3/2017	Urquiola	.....	D26/85
D824,571 S *	7/2018	Sonneman	.....	D26/87
D825,825 S *	8/2018	McKenna	.....	D26/118
D826,457 S *	8/2018	Amato	.....	D26/86

OTHER PUBLICATIONS

Navis Wall Sconce by Javier Robles for Lumifer. Online cataog ©  
2018 found at lumifer.us/catalog. (Year: 2018).\*

(Continued)

*Primary Examiner* — Clare E Heflin

(74) *Attorney, Agent, or Firm* — Gottlieb, Rackman &  
Reisman, P.C.

(57) **CLAIM**

The ornamental design for a light fixture, as shown and  
described.

**DESCRIPTION**

FIG. 1 is a perspective view of a light fixture showing our  
new design;

FIG. 2 is a first side elevational view thereof;

FIG. 3 is a second side elevational view thereof;

FIG. 4 is a third side elevational view thereof;

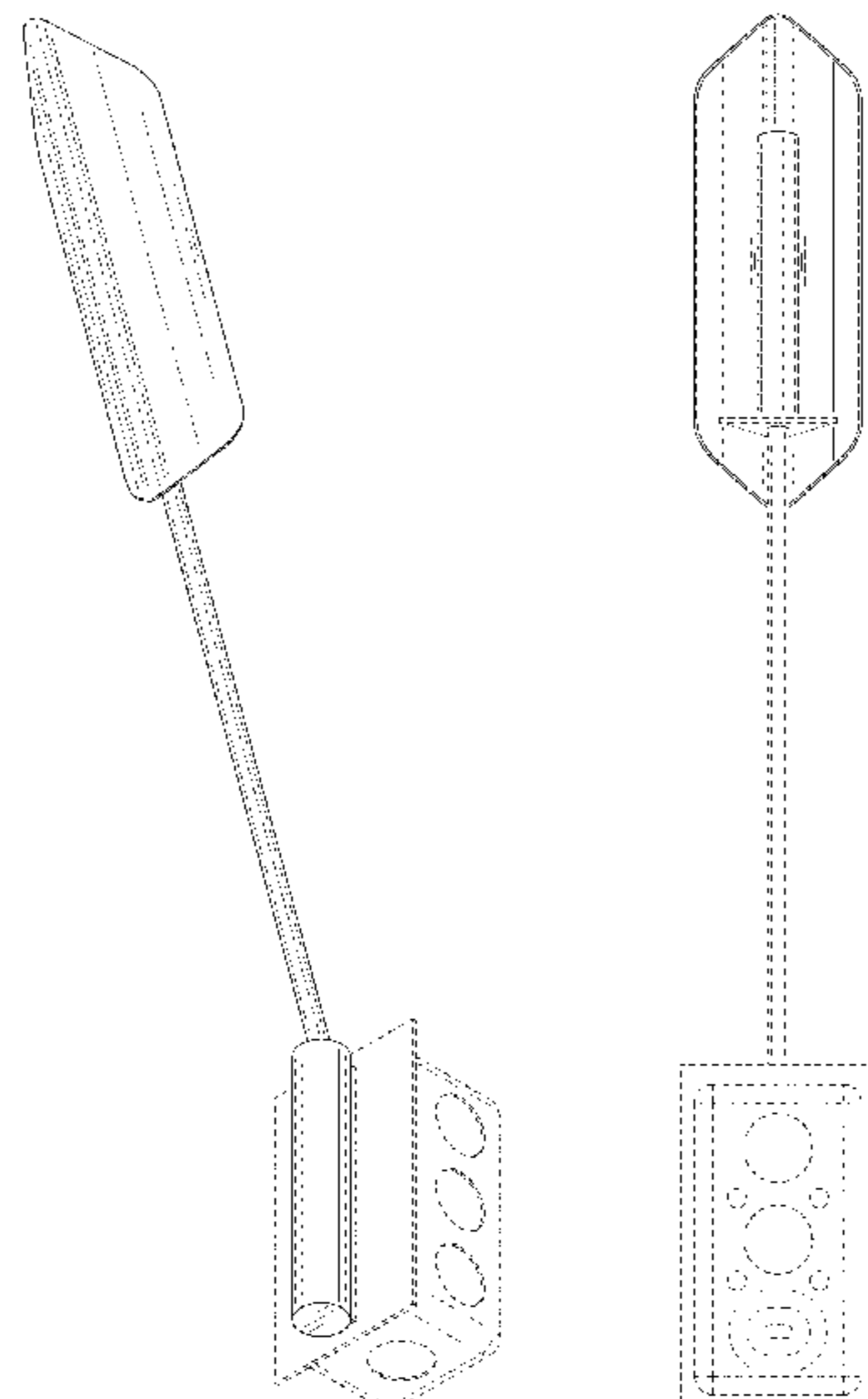
FIG. 5 is a fourth side elevational view thereof;

FIG. 6 is a top plan view thereof; and,

FIG. 7 is a bottom plan view thereof.

The broken lines shown in the drawings are included for the  
purpose of illustrating elements of the light fixture that is  
surface mountable and form no part of the claimed design.

**1 Claim, 7 Drawing Sheets**



(56)

**References Cited**

OTHER PUBLICATIONS

Switch Wall Sconce by Javier Robles for Lumifer. Online cataog © 2018 found at lumifer.us/catalog. (Year: 2018).\*

Leaf® LED Sconce from Sonneman a Way of Light. Found at sonnemanawayofflight.com visited Mar. 7, 2019. (Year: 2019).\*

Two-Light Wall sconce Model No. 901K02SI found at <<https://napleslampshoponline.com/varaluz/901k02si>> visited Feb. 28, 2019. (Year: 2019).\*

\* cited by examiner

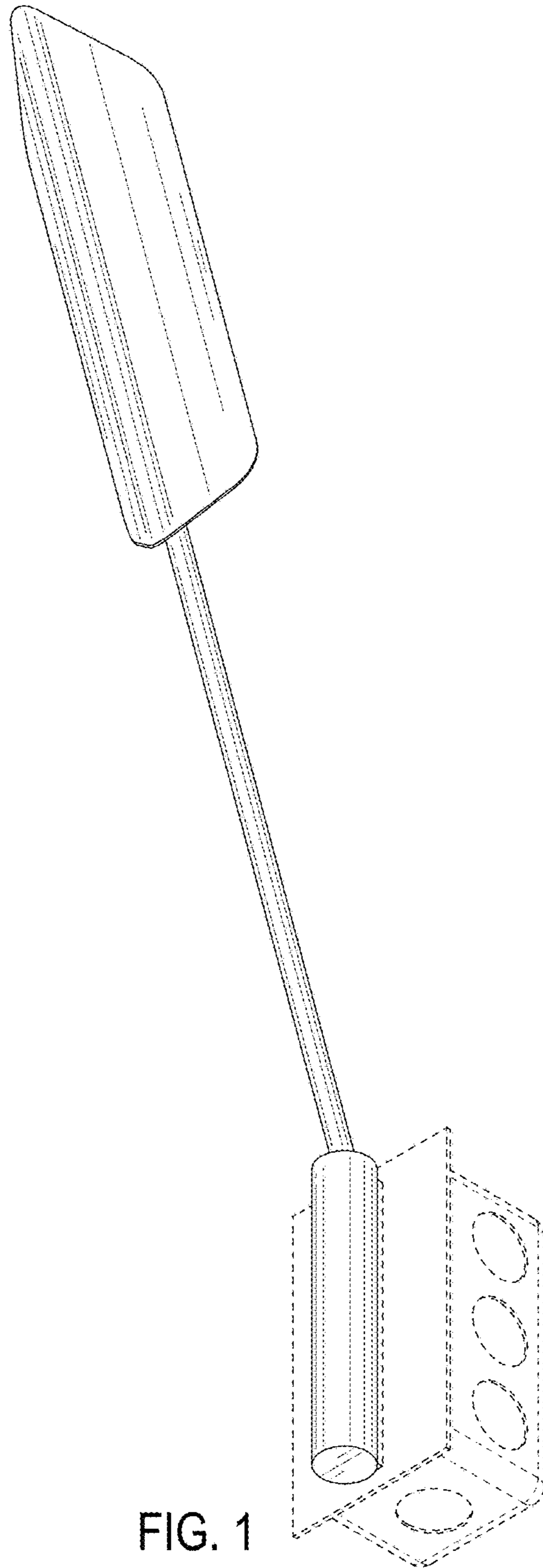


FIG. 1

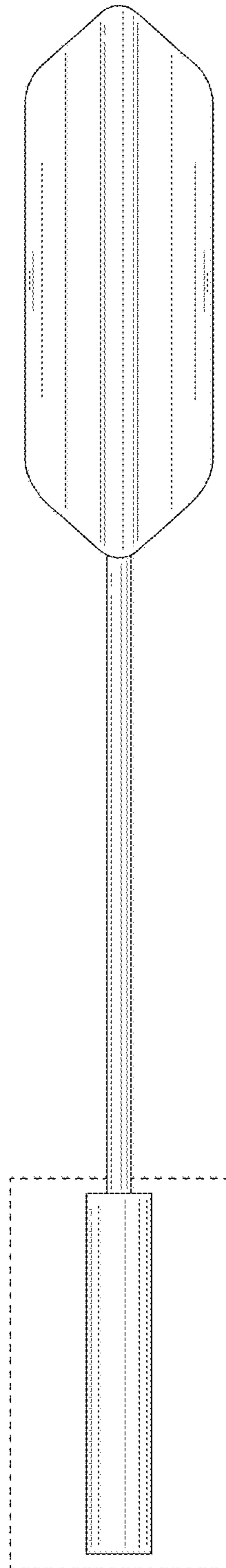


FIG. 2



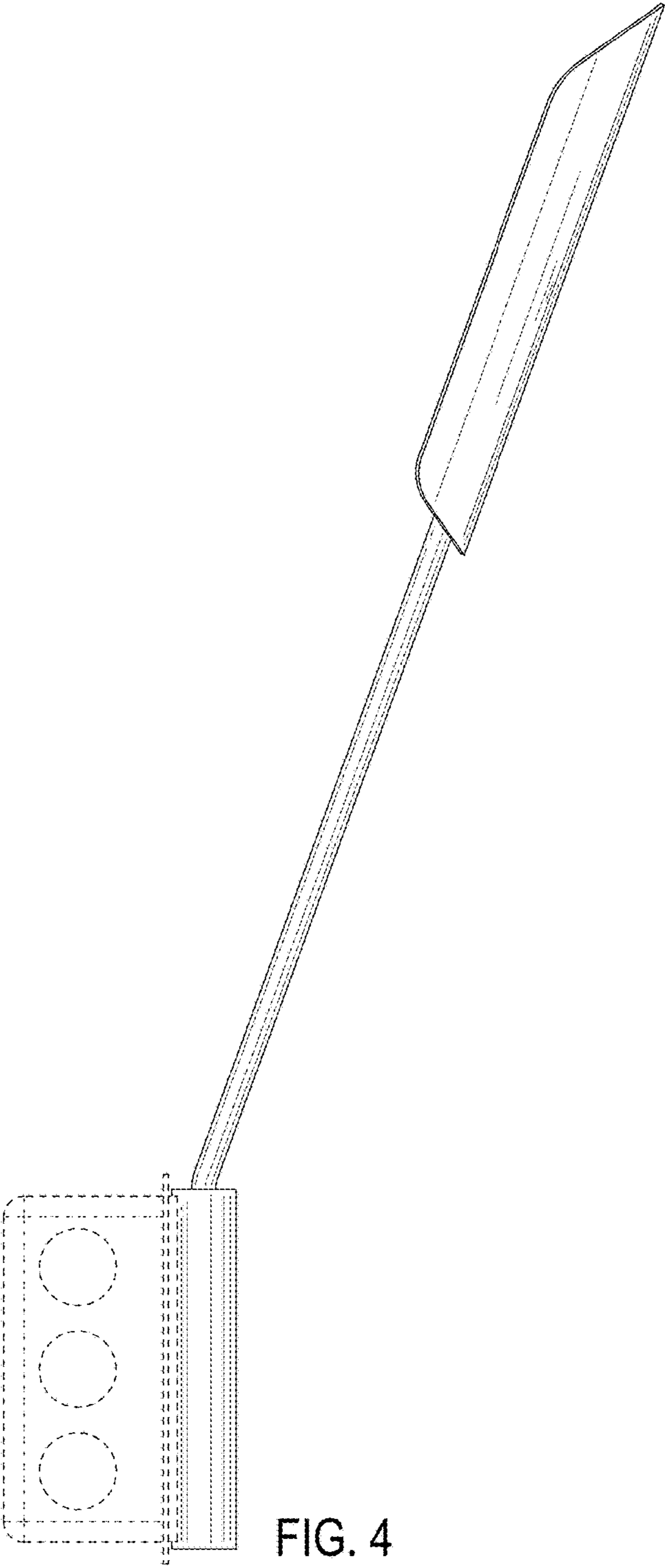


FIG. 4

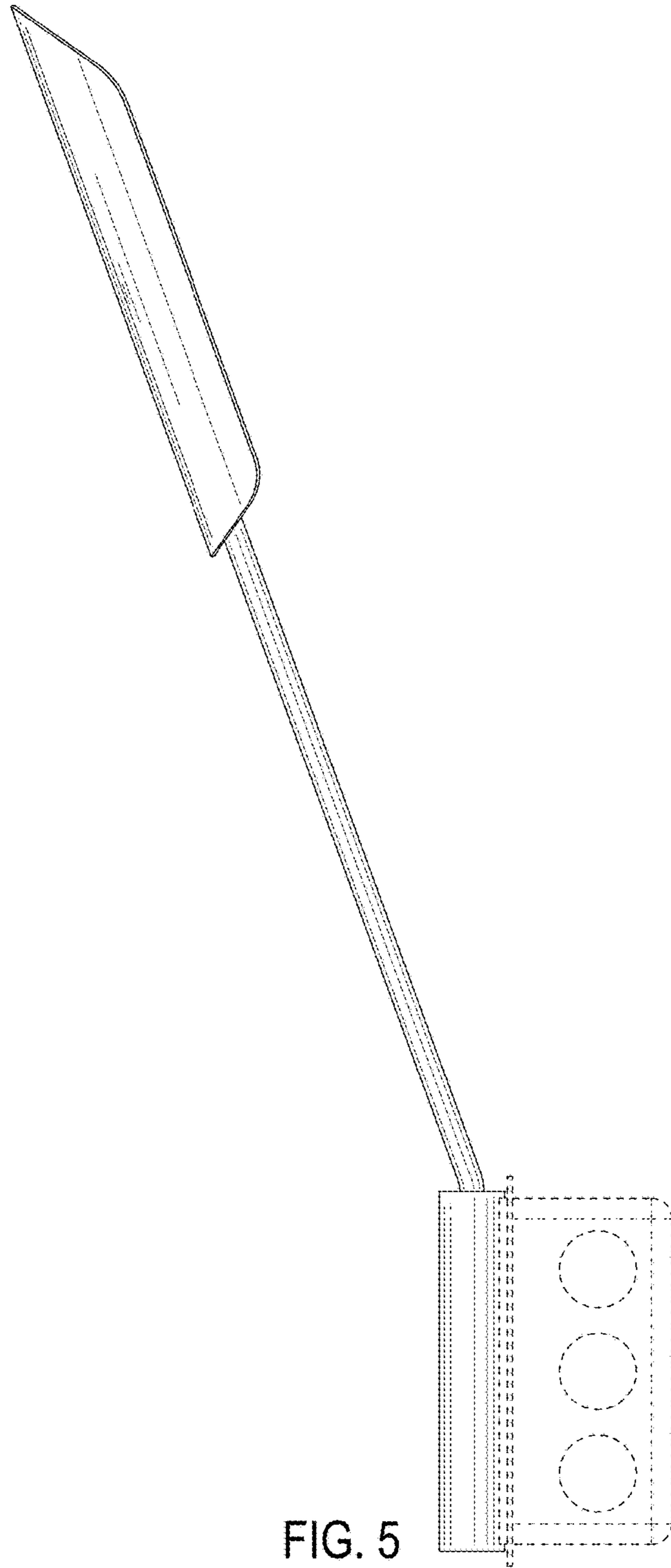


FIG. 5

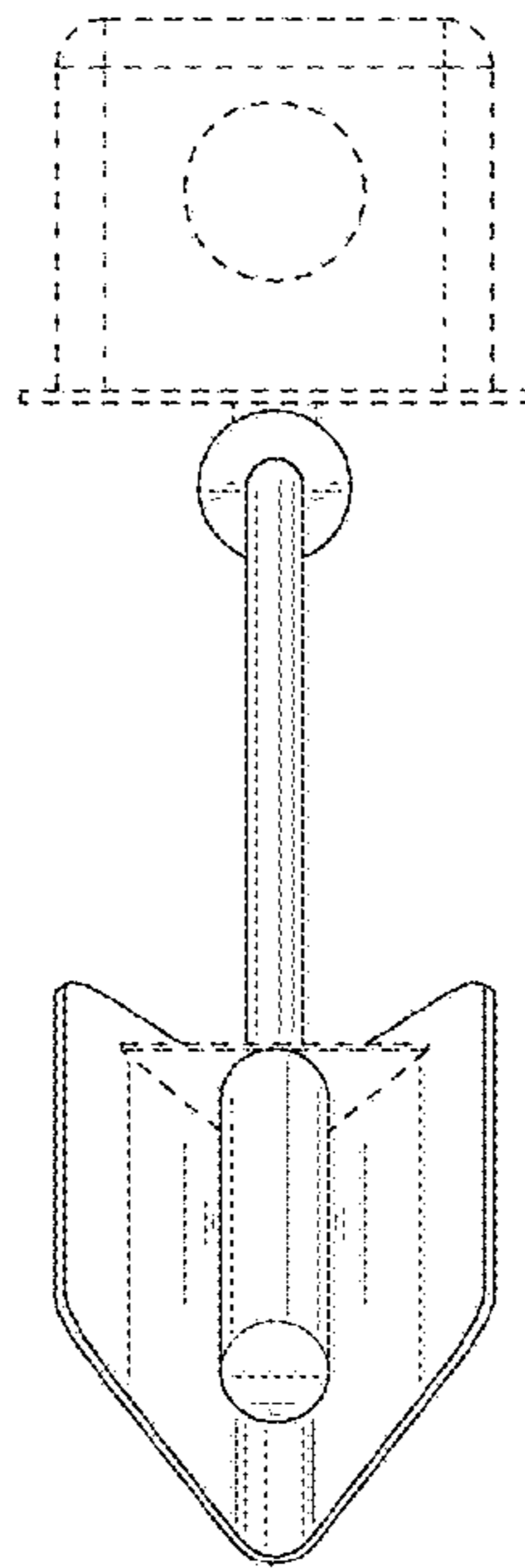


FIG. 6



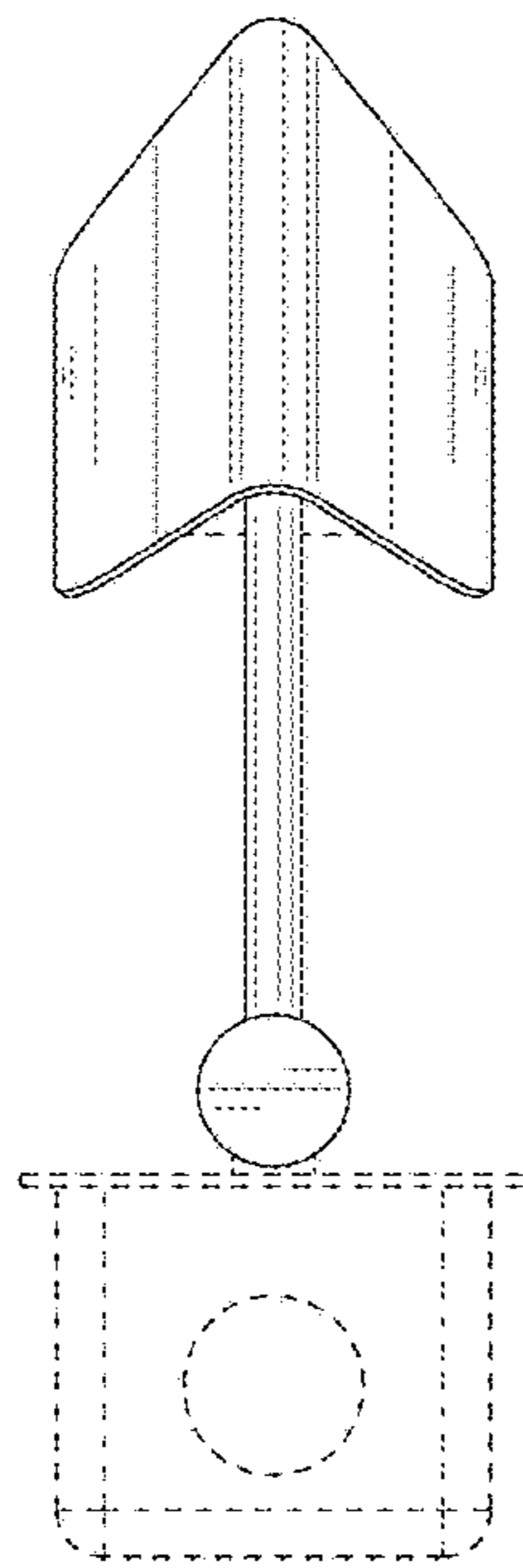


FIG. 7