



US00D855865S

(12) **United States Design Patent**
Sonneman

(10) **Patent No.:** **US D855,865 S**

(45) **Date of Patent:** **** Aug. 6, 2019**

(54) **LIGHT FIXTURE**

(71) Applicant: **Contemporary Visions, LLC**,
Larchmont, NY (US)

(72) Inventor: **Robert A. Sonneman**, Mamaroneck,
NY (US)

(73) Assignee: **Contemporary Visions, LLC**,
Larchmont, NY (US)

(**) Term: **15 Years**

(21) Appl. No.: **29/674,247**

(22) Filed: **Dec. 20, 2018**

(51) **LOC (12) Cl.** **26-03**

(52) **U.S. Cl.**
USPC **D26/86; D26/84**

(58) **Field of Classification Search**
USPC D26/72, 80-92, 118
CPC F21S 8/03; F21S 8/033; F21S 8/036; F21S
8/037; F21S 8/038; F21S 8/04; F21S
8/043; F21S 8/046; F21S 8/06; F21S
8/061; F21S 8/063; F21S 8/065; F21S
8/068

See application file for complete search history.

(56) **References Cited**

U.S. PATENT DOCUMENTS

D41,378 S *	5/1911	Guth	D26/144
D80,313 S *	1/1930	Hoch	D26/80
1,845,035 A *	2/1932	Boltuch	F21S 8/065 362/232
D90,017 S *	5/1933	Bush	D26/84
D128,482 S *	7/1941	Elting	F21S 8/065 D26/144
D181,554 S *	11/1957	Stiffel	D26/81
D420,161 S *	2/2000	Zuege	D26/84
D582,090 S *	12/2008	Osgerby	D26/87
D610,737 S *	2/2010	Chandler	D26/144
D613,449 S *	4/2010	Ngai	D26/88
D634,470 S *	3/2011	Hsieh	D26/118

D638,983 S *	5/2011	Martin	D26/144
D659,885 S *	5/2012	Holder	D26/88
D757,328 S *	5/2016	Anderson	D26/84

(Continued)

OTHER PUBLICATIONS

NAVIS wall sconce at Lumifer by Javier Robles. Found at <lumifer.us/navisws> visited Mar. 7, 2019. (Year: 2019).*

(Continued)

Primary Examiner — Clare E Heflin

(74) *Attorney, Agent, or Firm* — Gottlieb, Rackman & Reisman, P.C.

(57) **CLAIM**

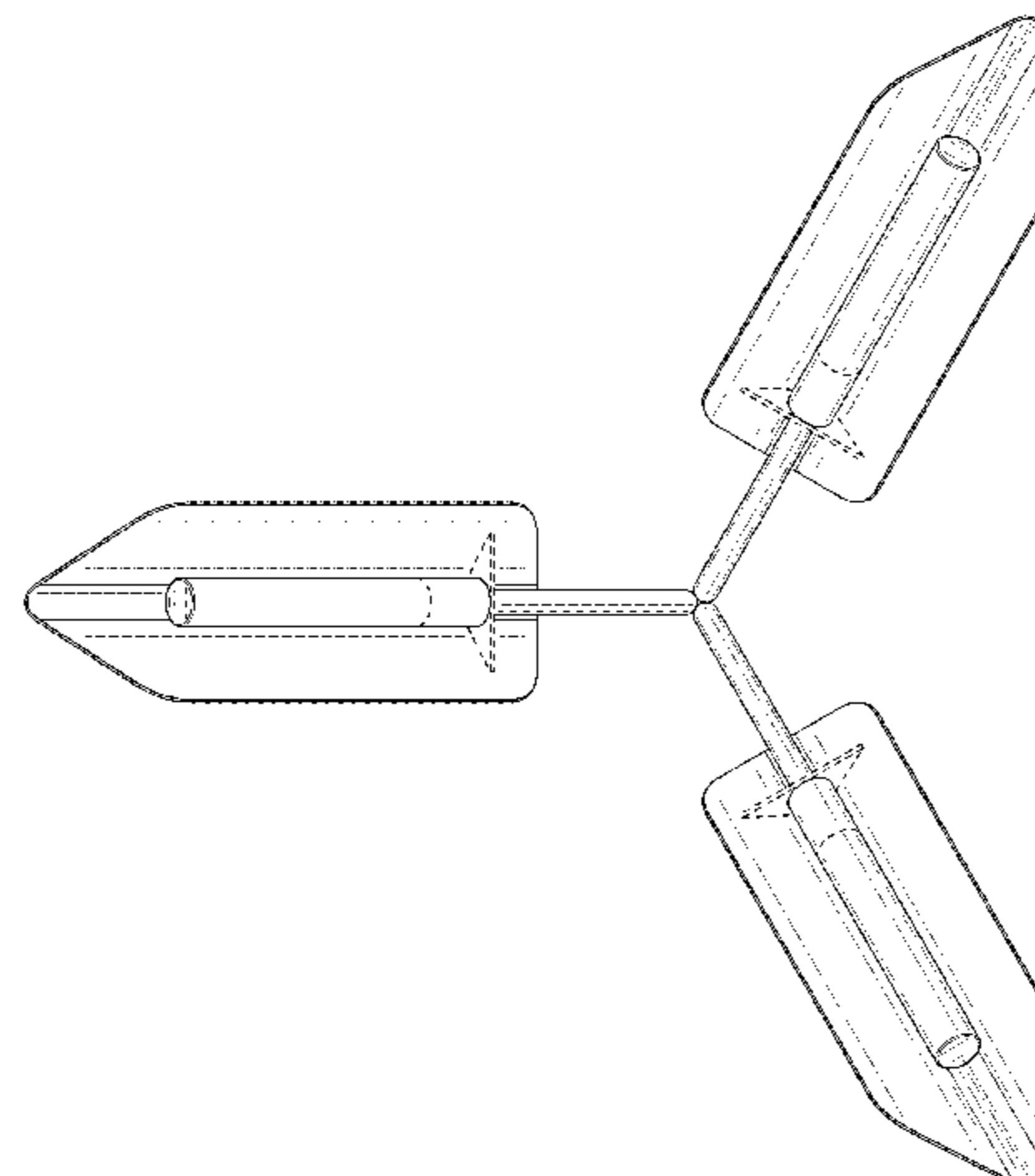
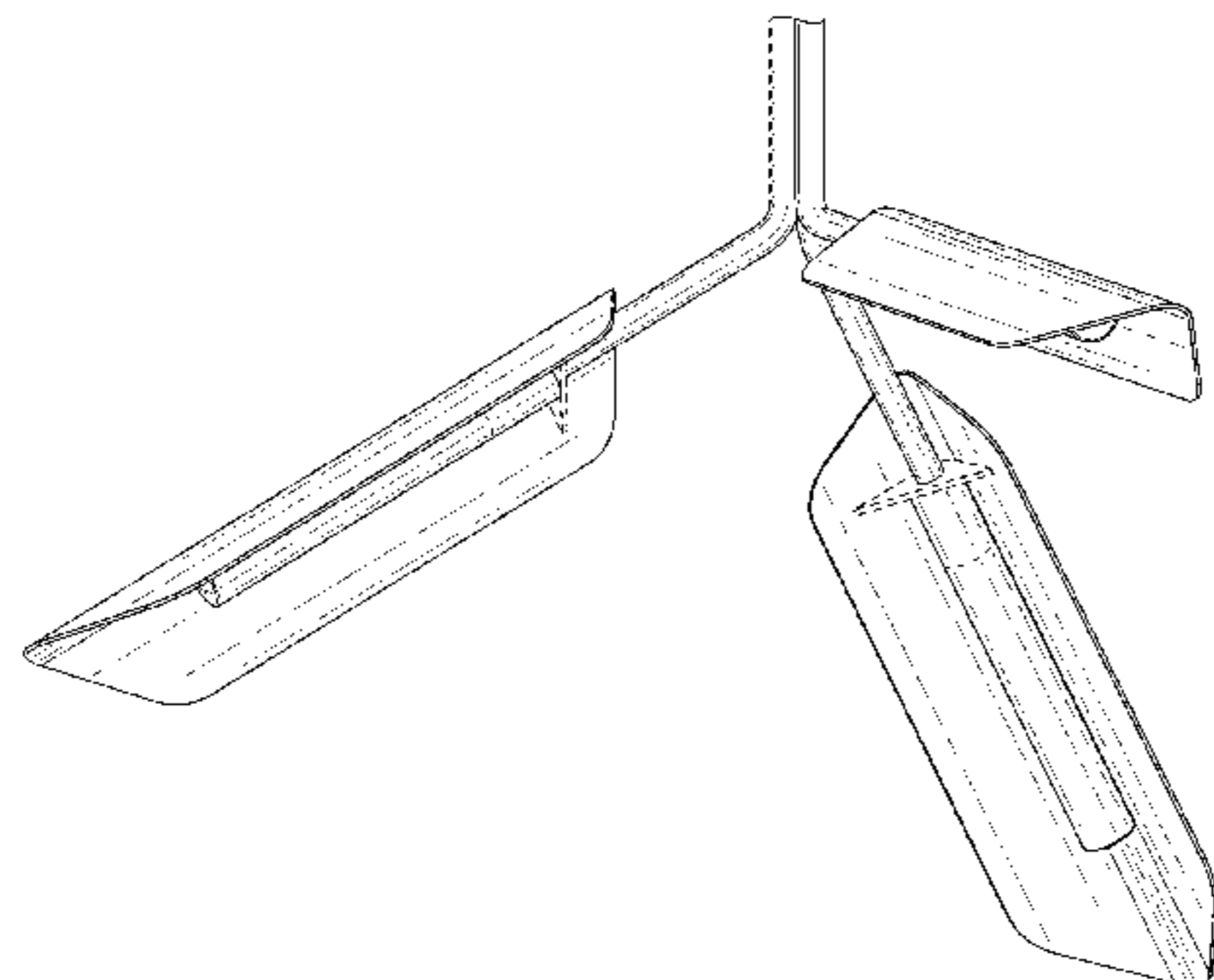
The ornamental design for a light fixture, as shown and described.

DESCRIPTION

FIG. 1 is a perspective view of an embodiment of a light fixture showing our new design;
 FIG. 2 is a front elevational view of FIG. 1;
 FIG. 3 is a rear elevational view of FIG. 1;
 FIG. 4 is a right side elevational view of FIG. 1;
 FIG. 5 is a left side elevational view of FIG. 1;
 FIG. 6 is a top plan view of FIG. 1;
 FIG. 7 is a bottom plan view of FIG. 1;
 FIG. 8 is a perspective view of another embodiment of a light fixture showing our new design;
 FIG. 9 is a front elevational view of FIG. 8;
 FIG. 10 is a rear elevational view of FIG. 8;
 FIG. 11 is a right side elevational view of FIG. 8;
 FIG. 12 is a left side elevational view of FIG. 8;
 FIG. 13 is a top plan view of FIG. 8; and,
 FIG. 14 is a bottom plan view of FIG. 8.

The broken lines shown in the drawings are included for the purpose of illustrating elements of the light fixture, that is configured to be hung from a surface, that form no part of the claimed design.

1 Claim, 14 Drawing Sheets



(56)

References Cited

U.S. PATENT DOCUMENTS

D791,385 S * 7/2017 Sonneman D26/84
D806,304 S * 12/2017 Amato D26/81
D819,865 S * 6/2018 Amato D26/81
D819,867 S * 6/2018 Hendifar D26/84
D824,571 S * 7/2018 Sonneman D26/87
D825,825 S * 8/2018 McKenna D26/118

OTHER PUBLICATIONS

Two Light Wall Sconce, Item No. 560574, found at
<napleslampshoponline.com/varaluz/901k02si> visited Feb. 28, 2019.

(Year: 2019).*

Pappardelle direct light pendant lamp found at <archiproducts.com/
en/products/gamadecor/direct-light-pendant-lamp-pappardelle_
329932> visited Mar. 7, 2019. (Year: 2019).*

* cited by examiner

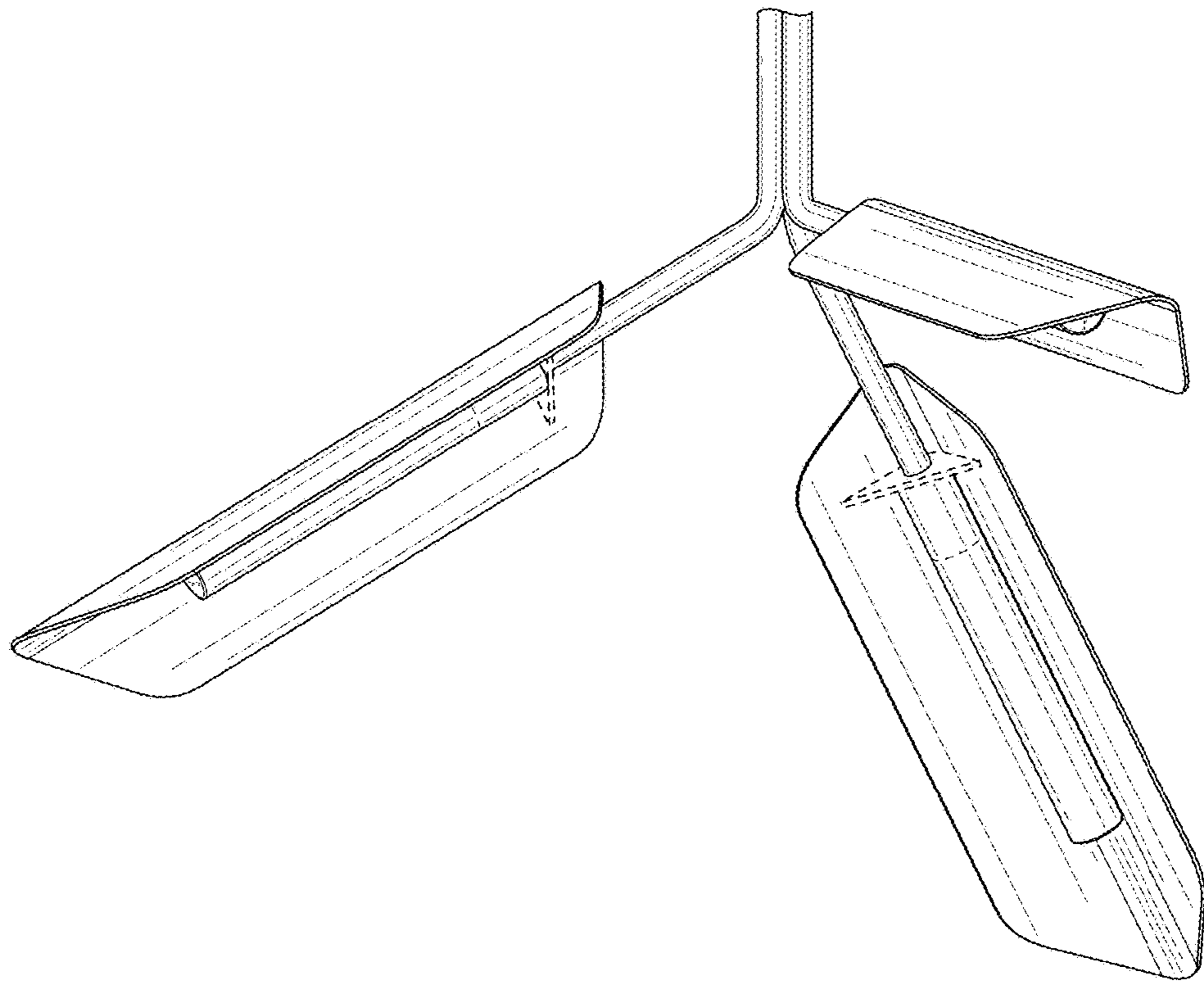


FIG. 1

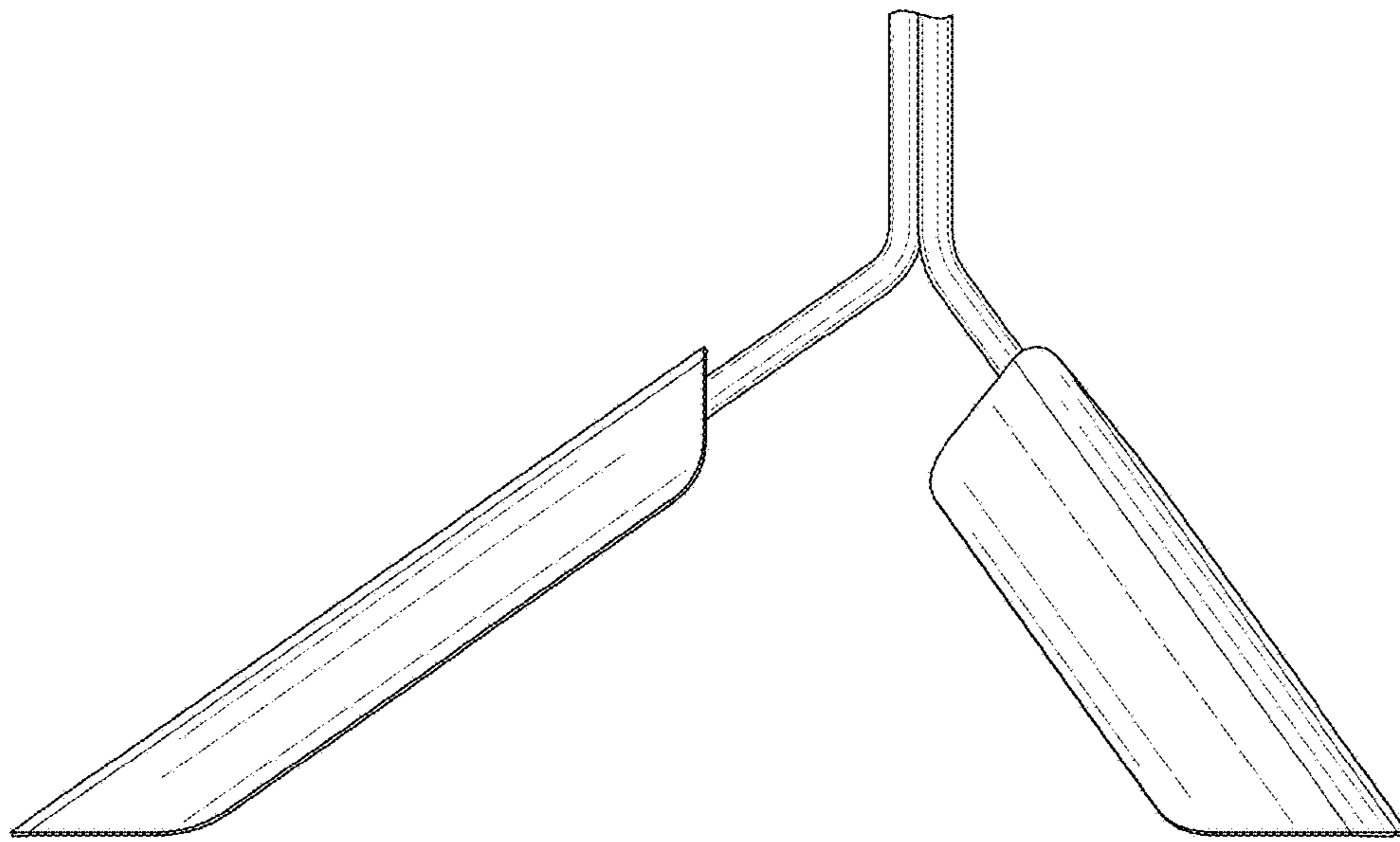


FIG. 2

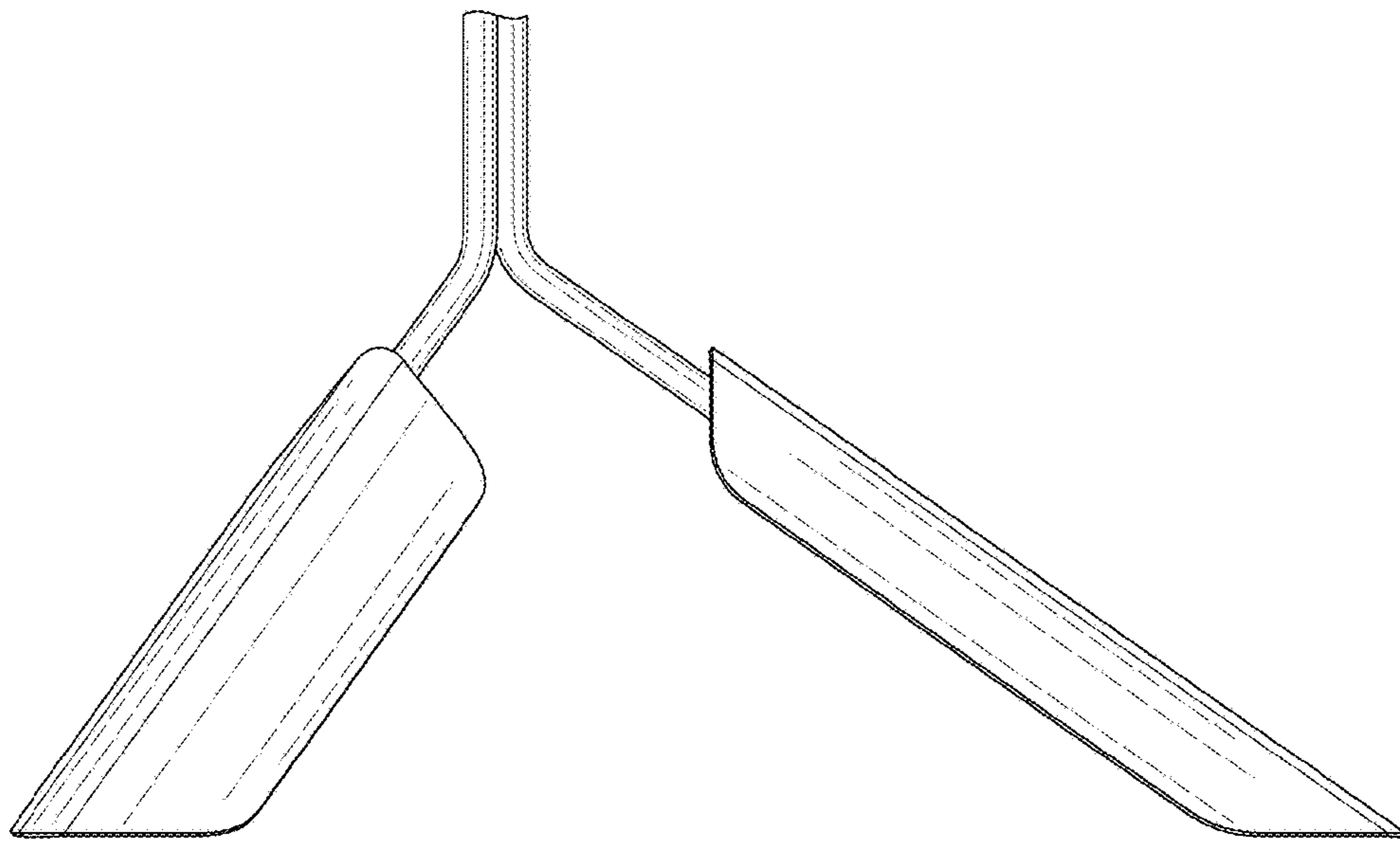


FIG. 3

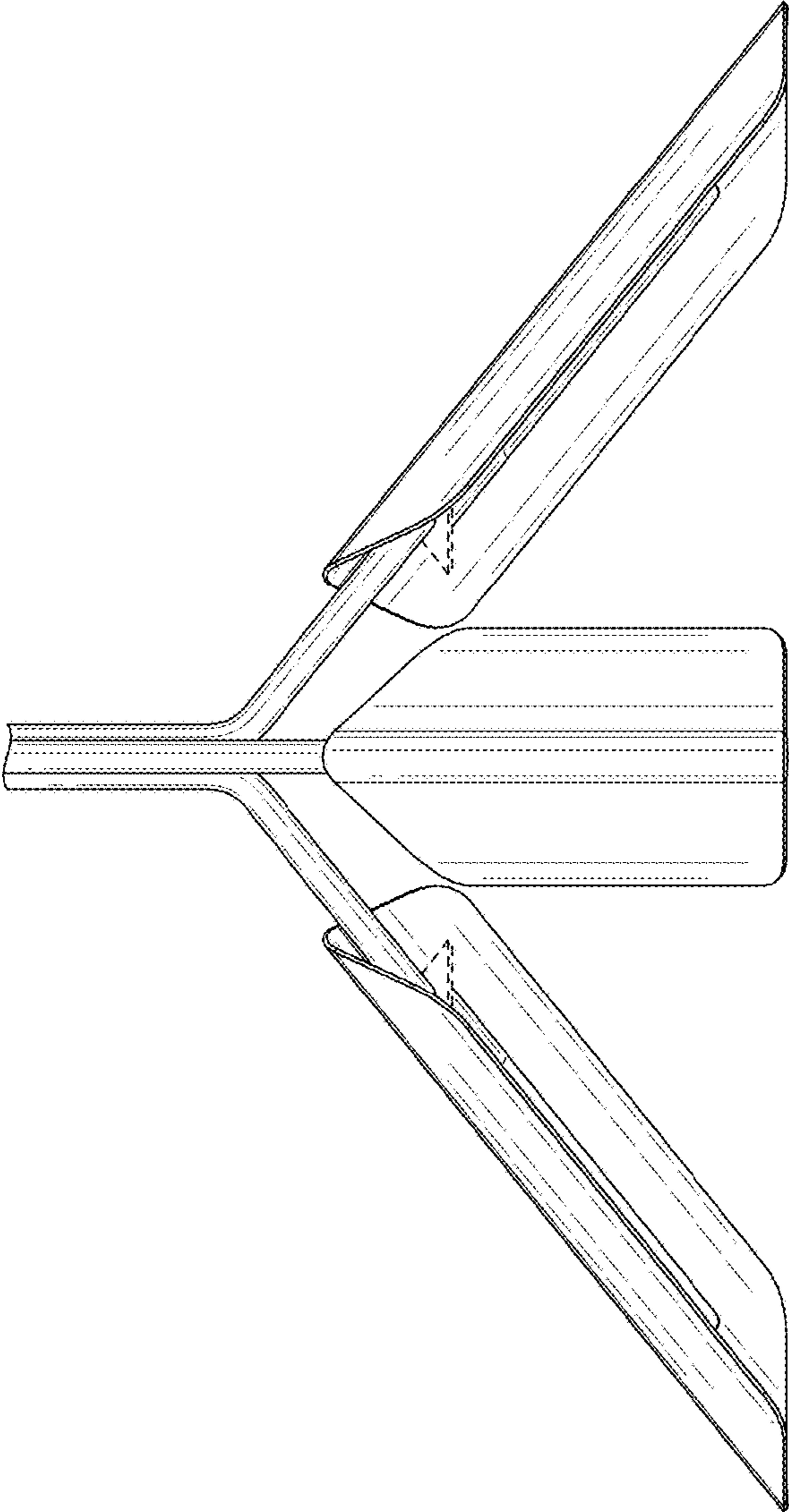


FIG. 4

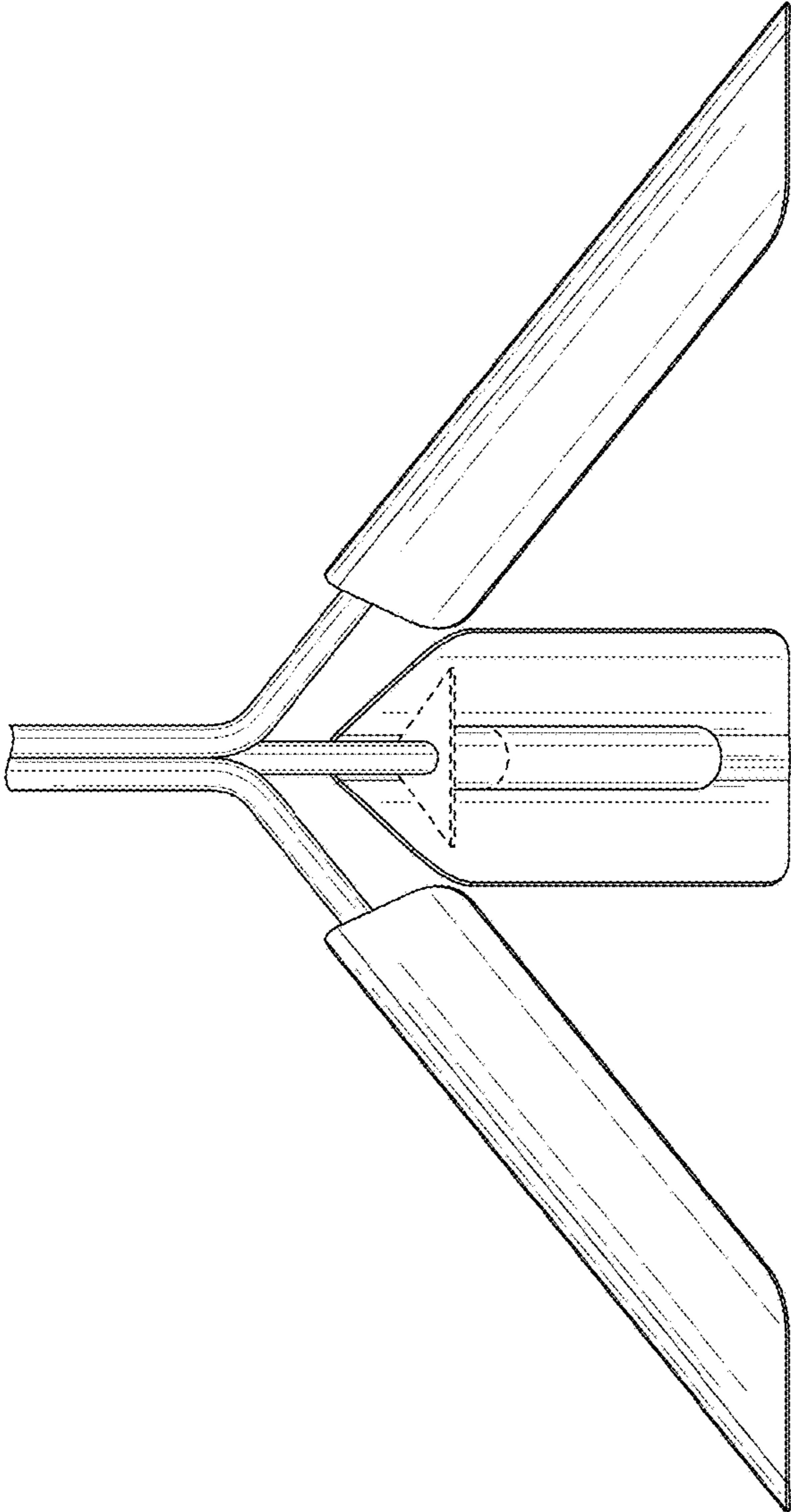


FIG. 5

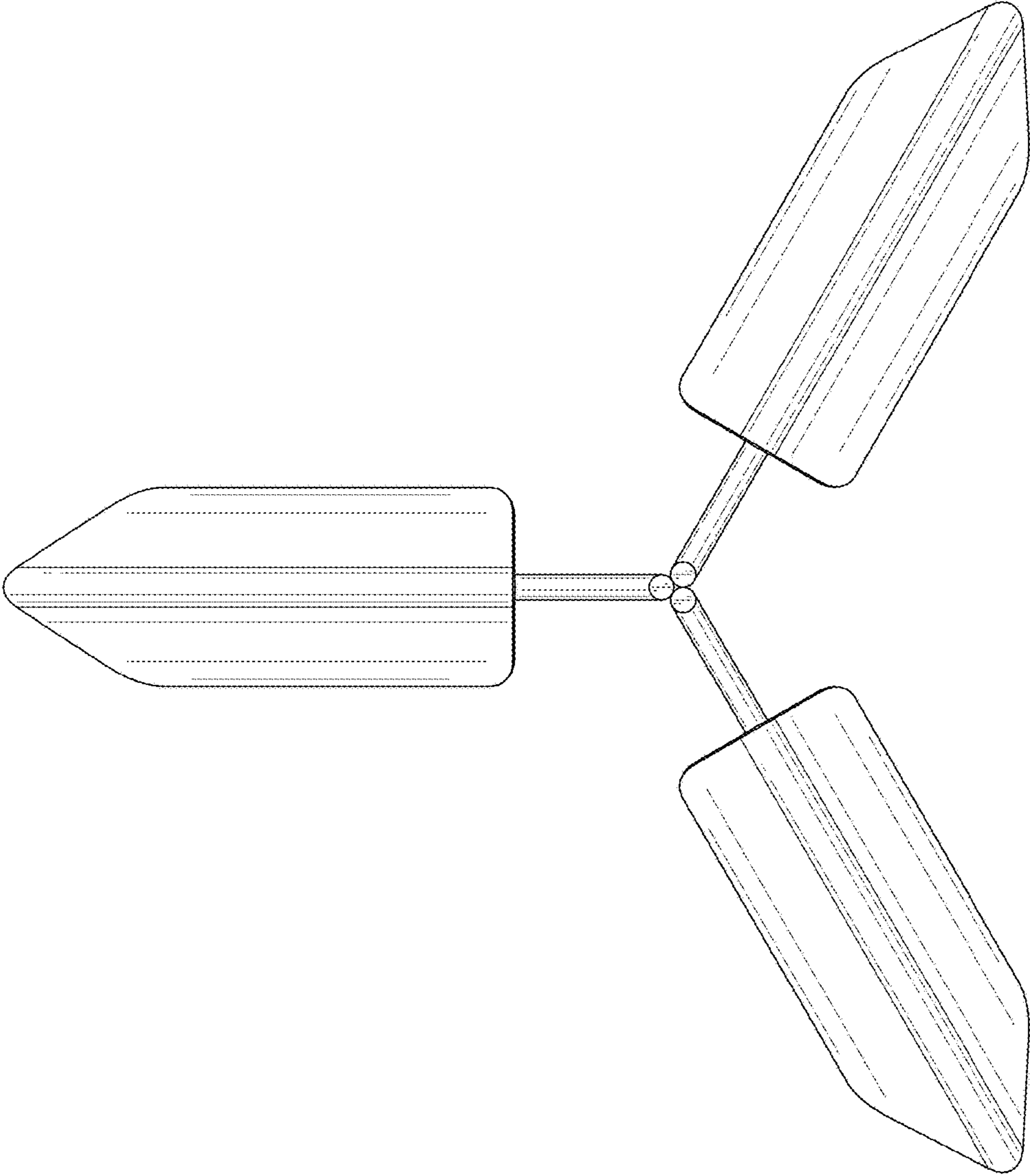


FIG. 6

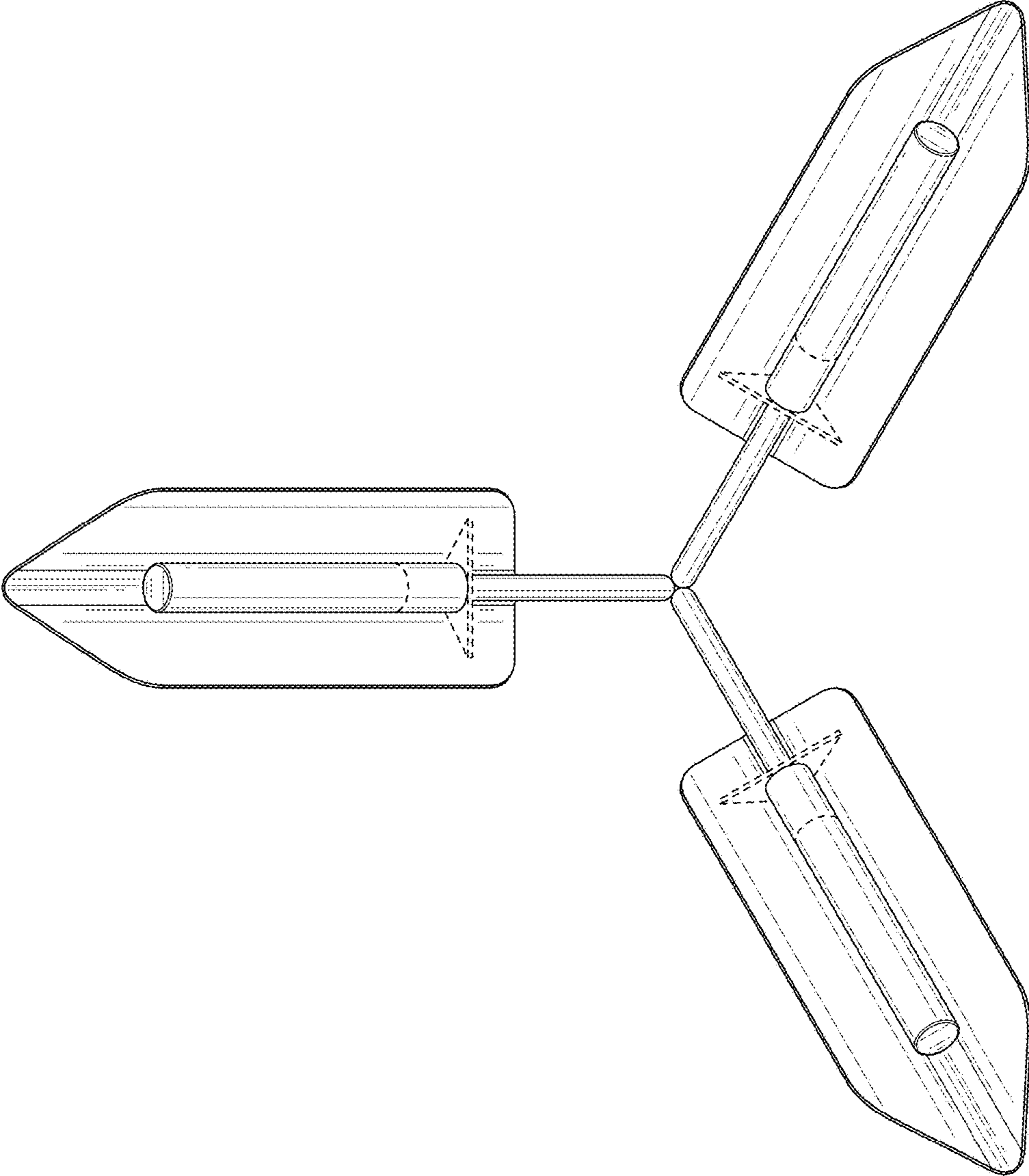


FIG. 7

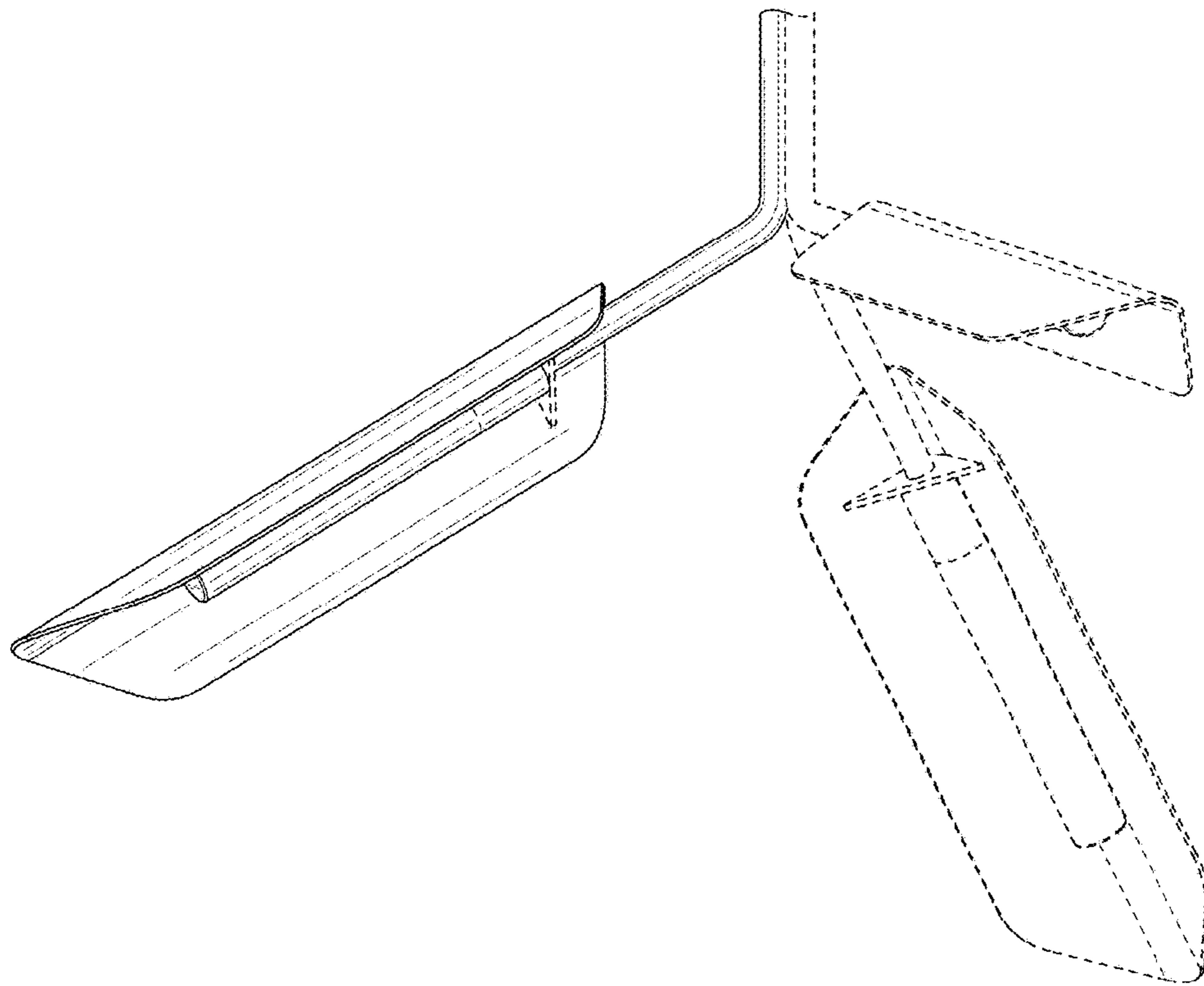


FIG. 8

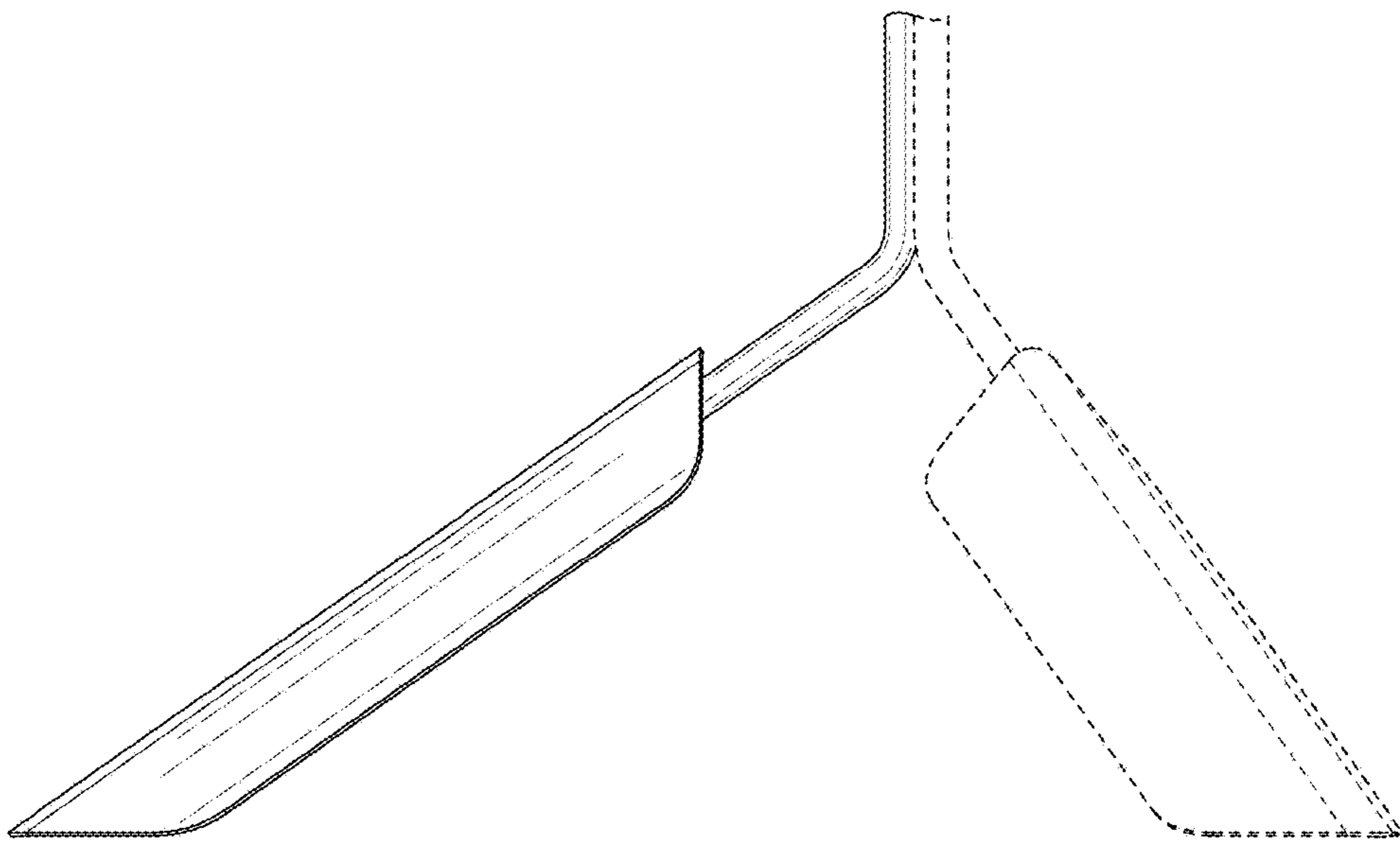


FIG. 9

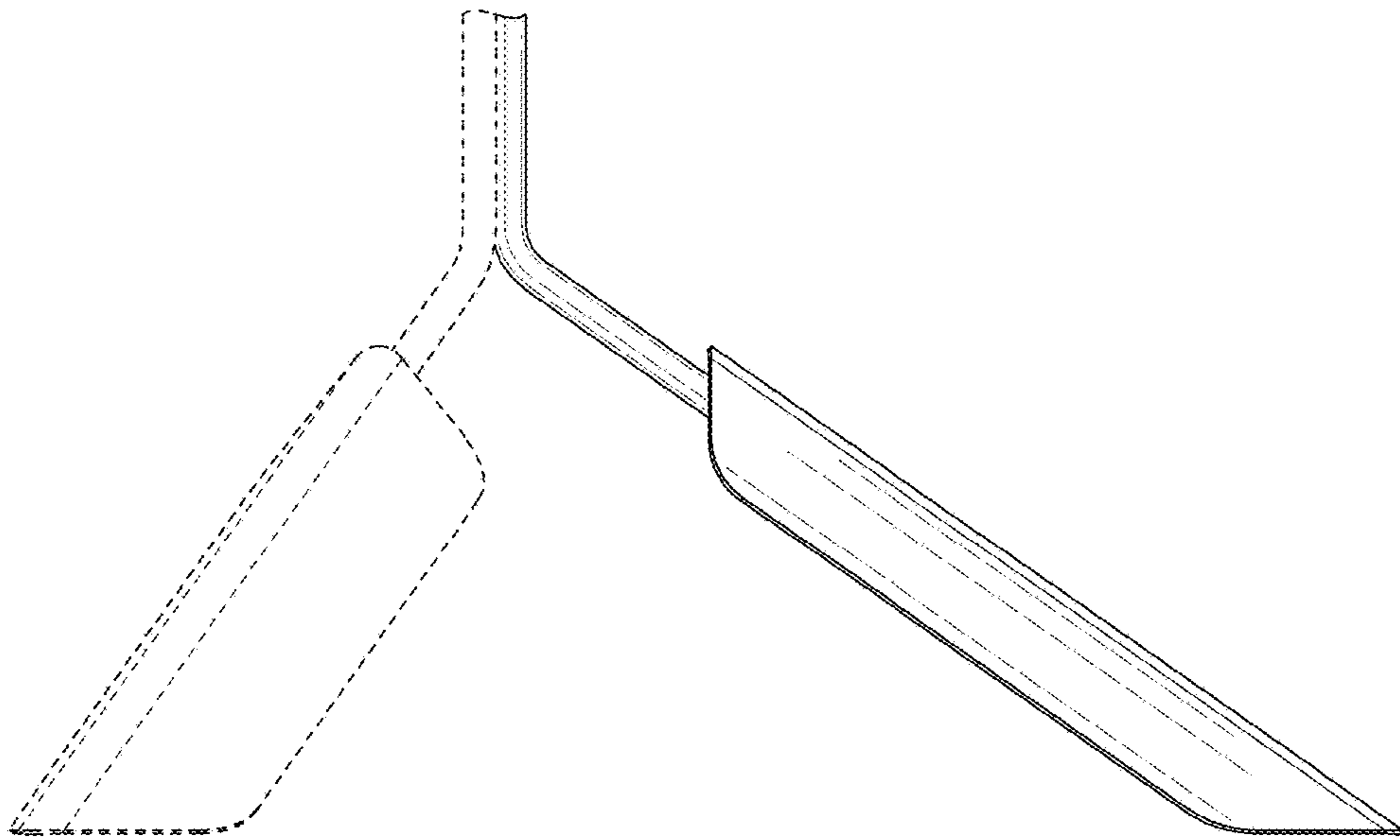


FIG. 10

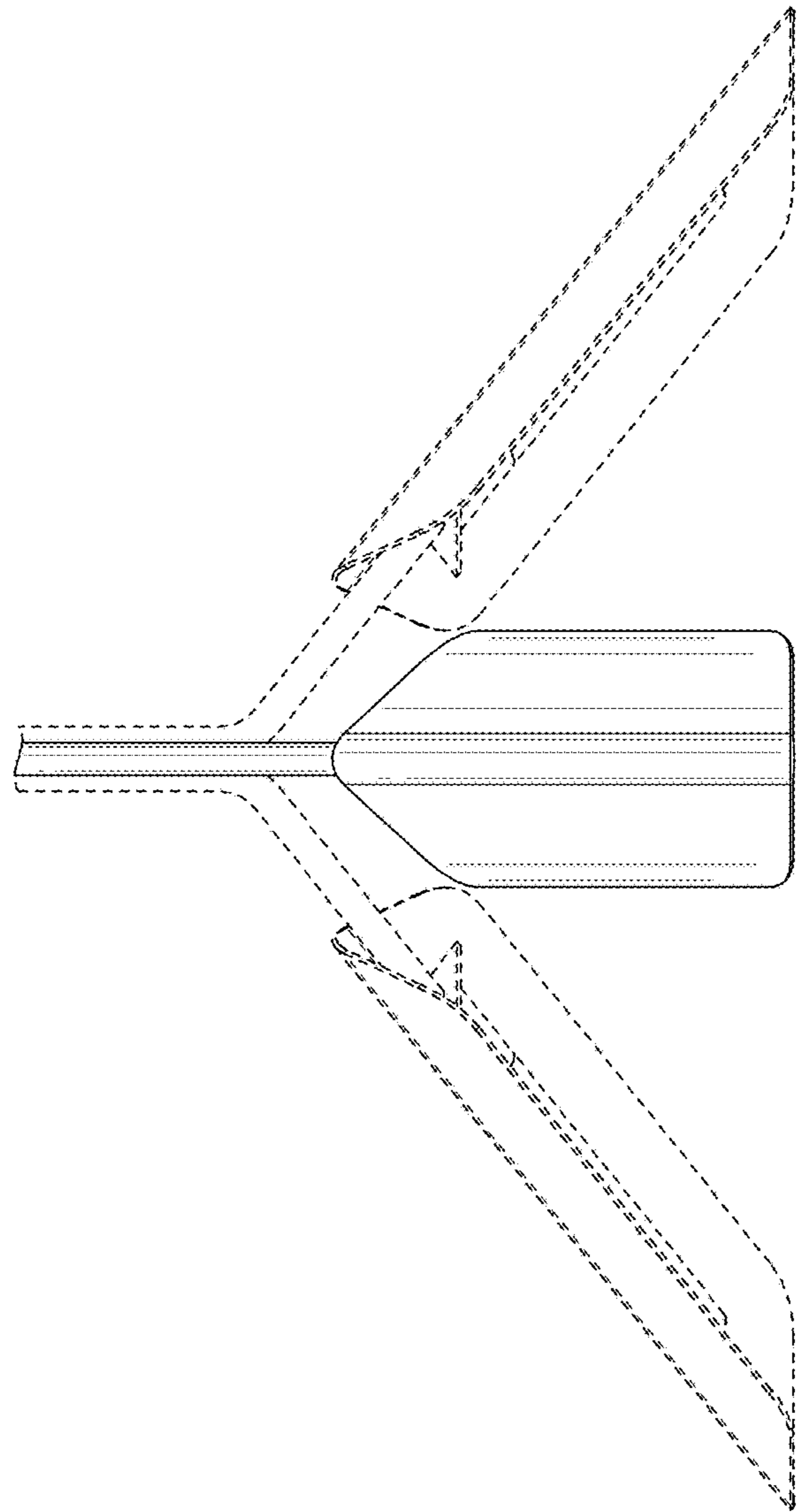


FIG. 11

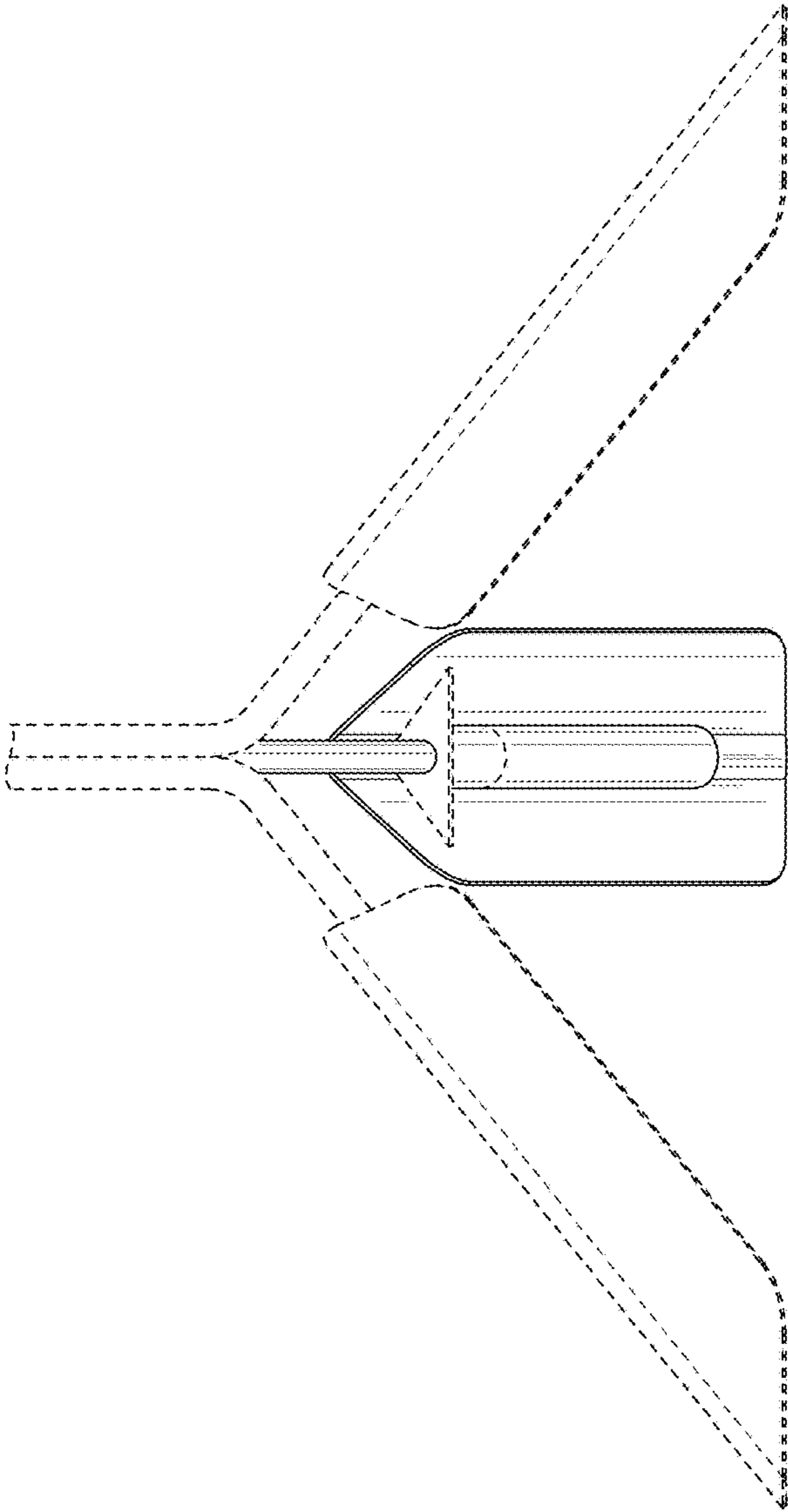


FIG. 12

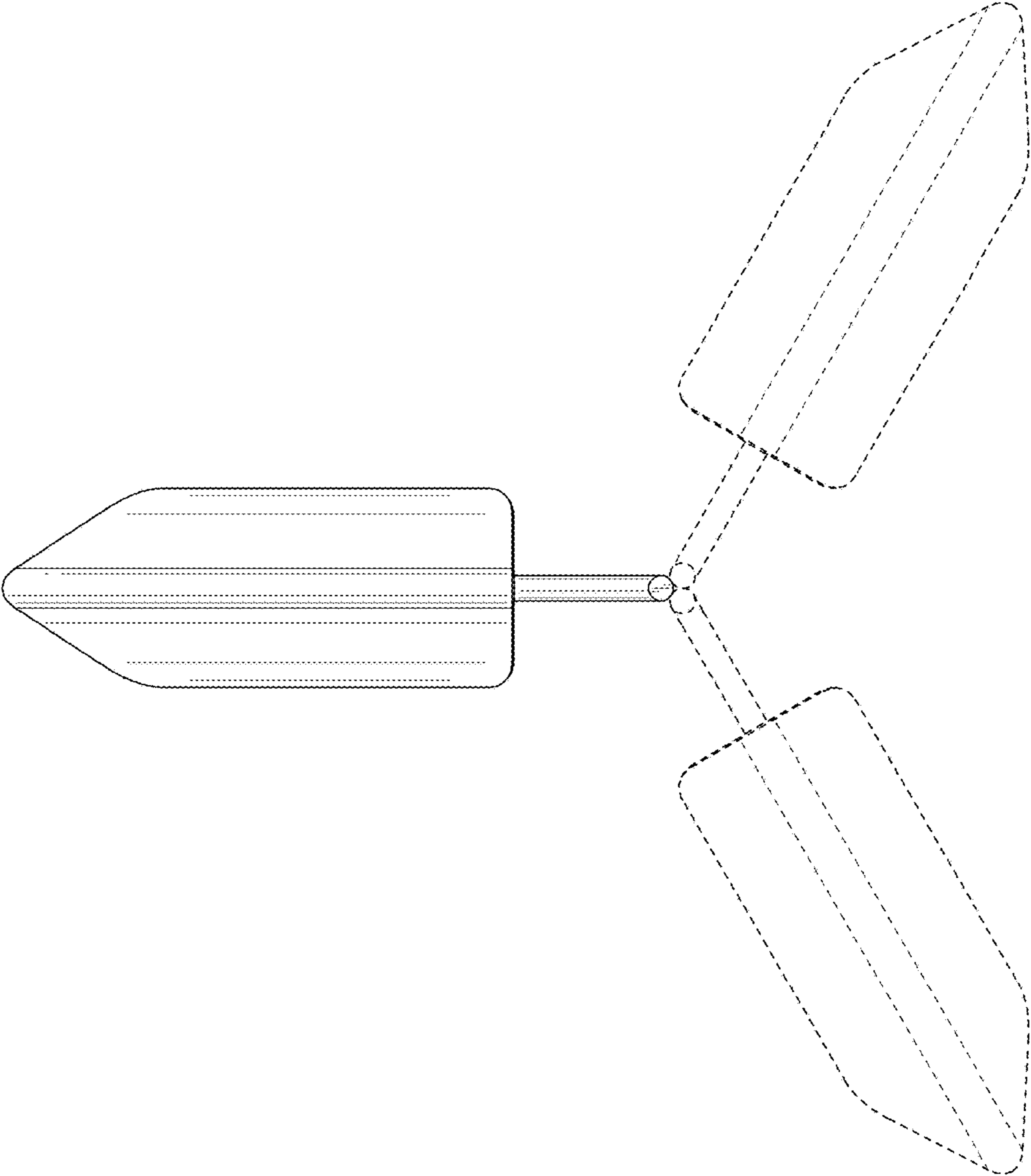


FIG. 13

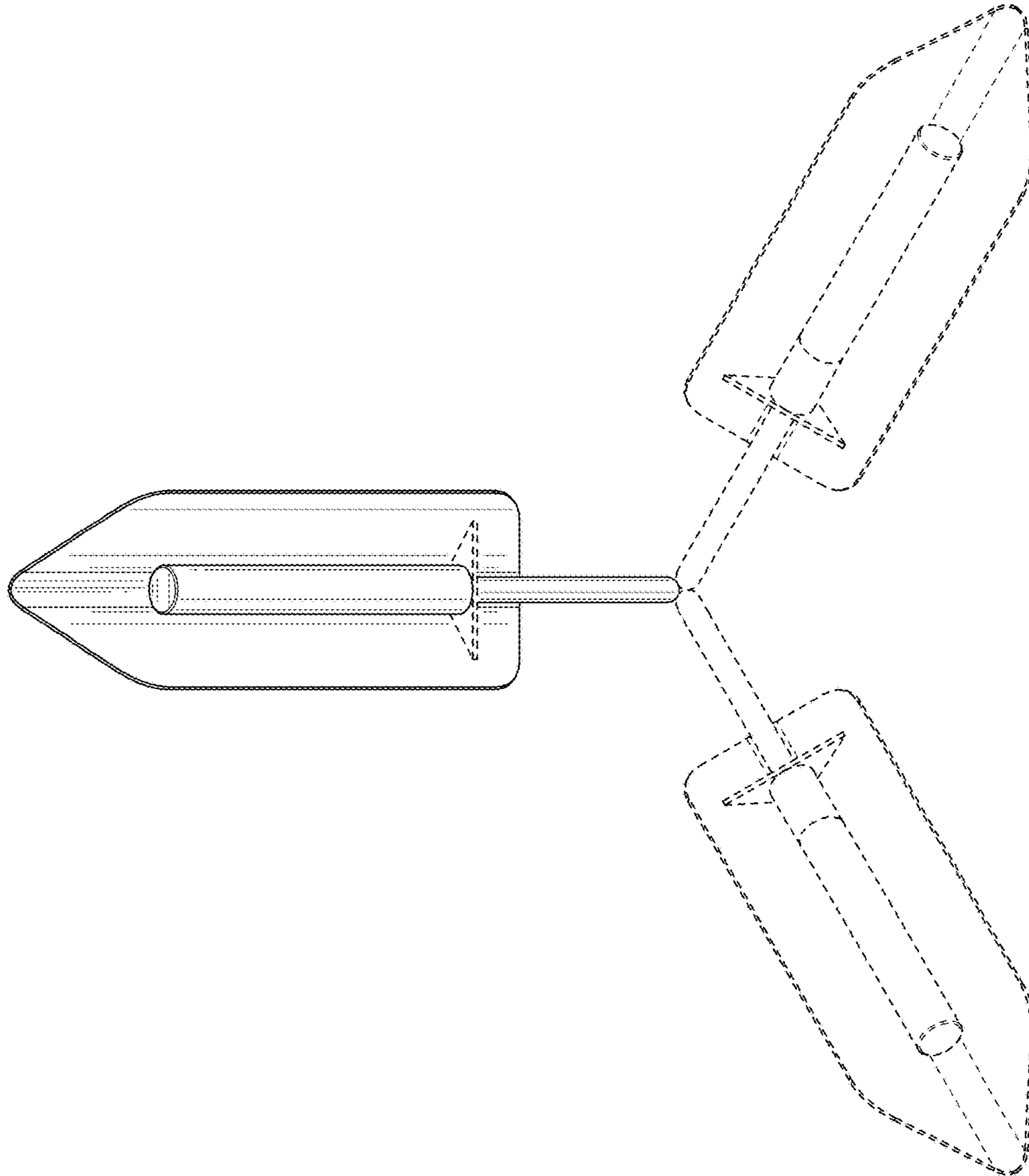


FIG. 14