



US00D855864S

(12) **United States Design Patent**
Sonneman

(10) **Patent No.:** **US D855,864 S**

(45) **Date of Patent:** **** Aug. 6, 2019**

(54) **LIGHT FIXTURE**

(71) Applicant: **Contemporary Visions, LLC,**
Larchmont, NY (US)

(72) Inventor: **Robert A. Sonneman,** Mamaroneck,
NY (US)

(73) Assignee: **Contemporary Visions, LLC,**
Larchmont, NY (US)

(**) Term: **15 Years**

(21) Appl. No.: **29/672,991**

(22) Filed: **Dec. 11, 2018**

(51) **LOC (12) Cl.** **26-03**

(52) **U.S. Cl.**
USPC **D26/86; D26/87**

(58) **Field of Classification Search**
USPC D26/72, 80-92, 118
CPC F21S 8/03; F21S 8/033; F21S 8/036; F21S
8/037; F21S 8/038; F21S 8/04; F21S
8/043; F21S 8/046; F21S 8/06; F21S
8/061; F21S 8/063; F21S 8/065; F21S
8/068

See application file for complete search history.

(56) **References Cited**

U.S. PATENT DOCUMENTS

D79,375 S *	9/1929	Lazerson	D26/88
D79,655 S *	10/1929	Hoch	D26/85
D80,639 S *	3/1930	Rosenblatt	D26/80
D309,955 S *	8/1990	Gismondi	D26/87
5,567,043 A *	10/1996	Swanson	F21S 2/00 362/249.01
D398,415 S *	9/1998	Markee	D26/118
D482,818 S *	11/2003	Vegliante	D26/128
D582,090 S *	12/2008	Osgerby	D26/87
D595,009 S *	6/2009	Osgerby	D26/107
D600,849 S *	9/2009	Osgerby	D26/107

D613,449 S *	4/2010	Ngai	D26/88
D634,470 S *	3/2011	Hsieh	D26/118
D636,521 S *	4/2011	Lovegrove	D26/88
D638,976 S *	5/2011	Howis	D26/80
D646,426 S *	10/2011	Wolk	D26/85
D659,885 S *	5/2012	Holder	D26/88
D741,537 S *	10/2015	Bakker	D26/118
D780,984 S *	3/2017	Urquiola	D26/107
D781,484 S *	3/2017	Urquiola	D26/85
D824,571 S *	7/2018	Sonneman	D26/87
D825,825 S *	8/2018	McKenna	D26/118
D826,457 S *	8/2018	Amato	D26/86

OTHER PUBLICATIONS

NAVIS Wall Sconce by Javier Robles for Lumifer. Online cataog ©
2018 found at lumifer.us/catalog. (Year: 2018).*

(Continued)

Primary Examiner — Clare E Heflin

(74) *Attorney, Agent, or Firm* — Gottlieb, Rackman &
Reisman, P.C.

(57) **CLAIM**

The ornamental design for a light fixture, as shown and
described.

DESCRIPTION

FIG. 1 is a perspective view of a light fixture showing our
new design;

FIG. 2 is a first side elevational view thereof;

FIG. 3 is a second side elevational view thereof;

FIG. 4 is a third side elevational view thereof;

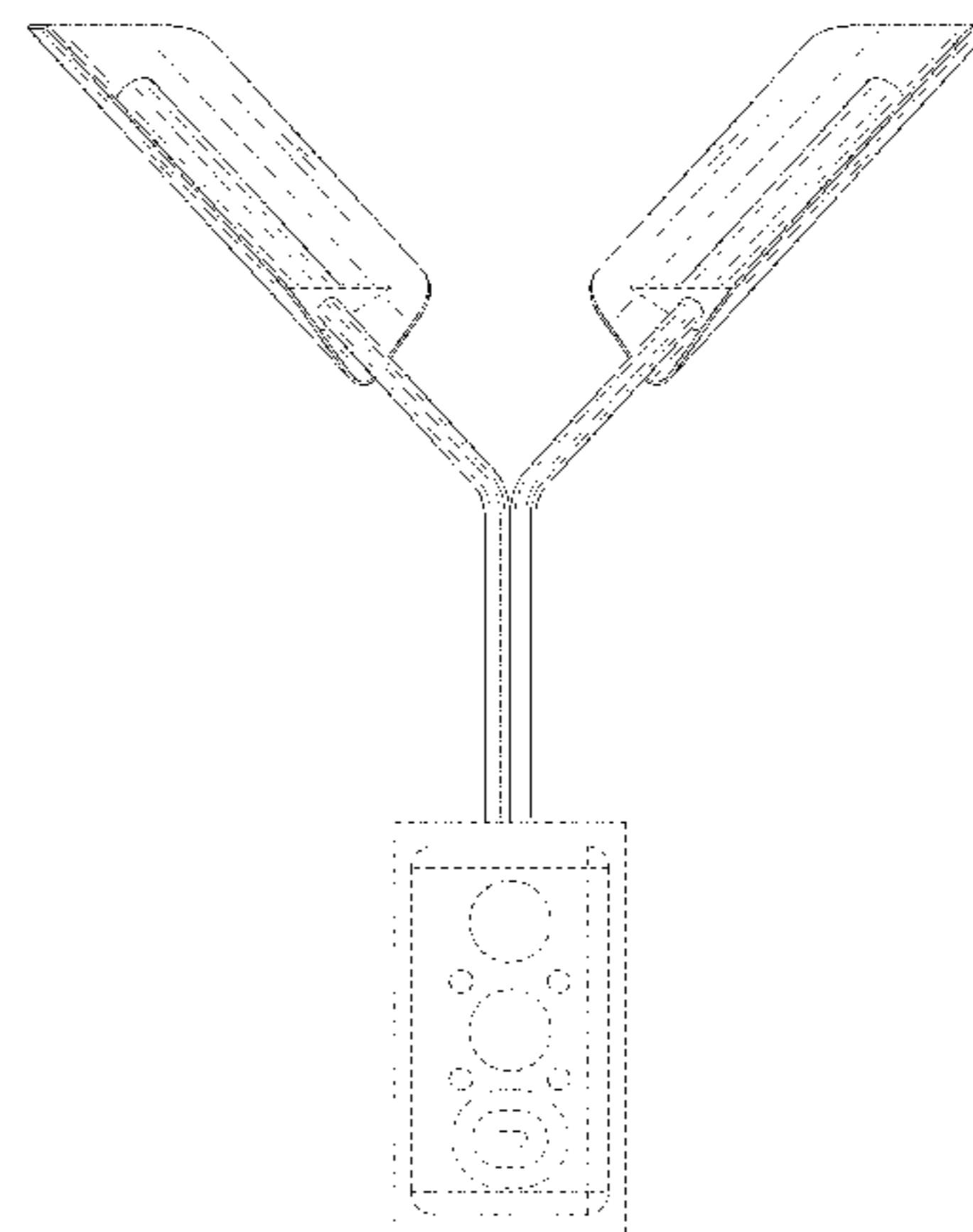
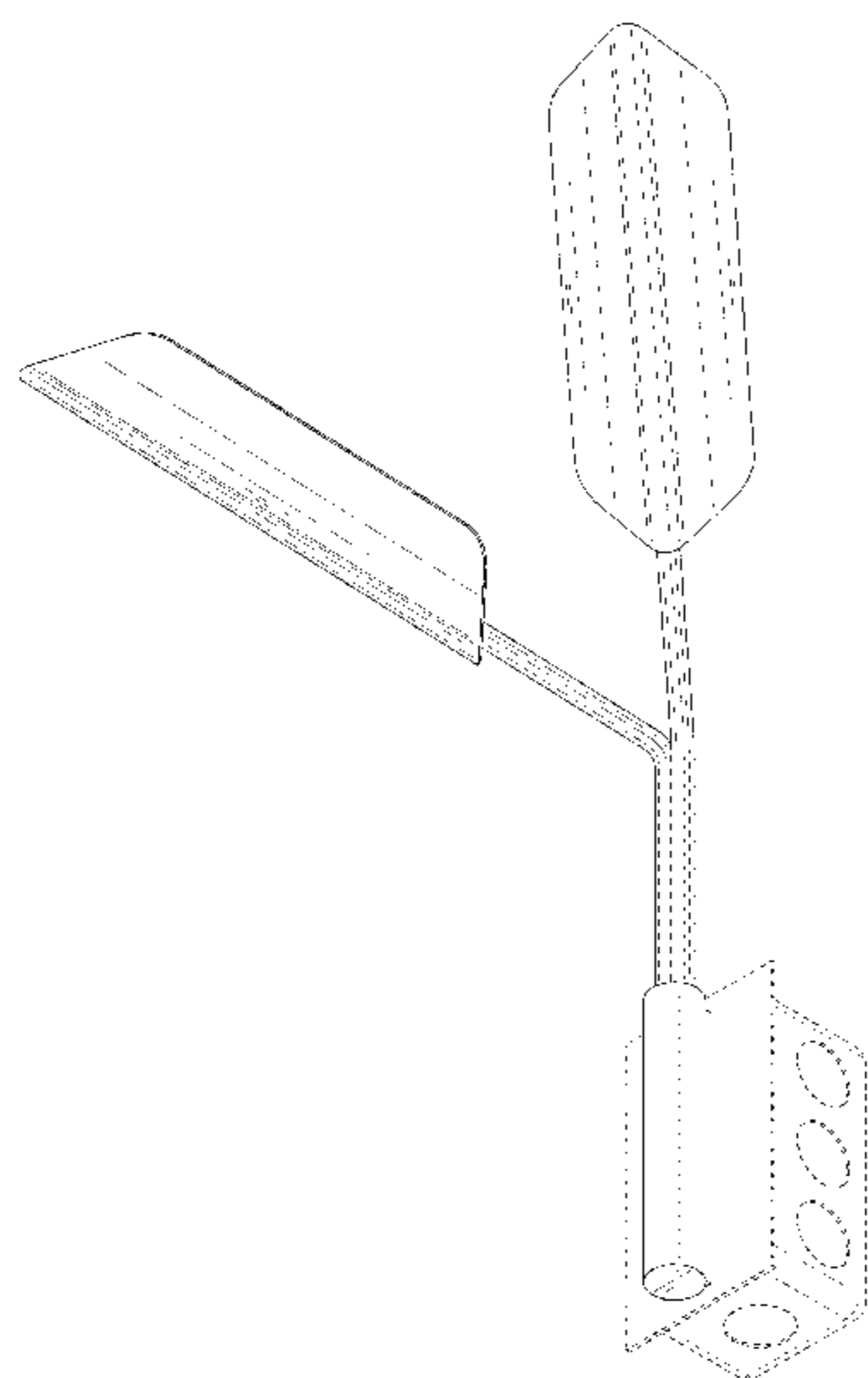
FIG. 5 is a fourth side elevational view thereof;

FIG. 6 is a top plan view thereof; and,

FIG. 7 is a bottom plan view thereof.

The broken lines shown in the drawings are included for the
purpose of illustrating elements of the light fixture that is
surface mountable and form no part of the claimed design.

1 Claim, 7 Drawing Sheets



(56)

References Cited

OTHER PUBLICATIONS

Switch Wall Sconce by Javier Robles for Lumifer. Online cataog © 2018 found at lumifer.us/catalog. (Year: 2018).*

Leaf® LED Sconce from Sonneman a Way Of Light. Found at sonnemanawayofflight.com visited Mar. 7, 2019. (Year: 2019).*

Two-Light Wall sconce Model No. 901K02SI found at <<https://napleslampshoponline.com/varaluz/901k02si>> visited Feb. 28, 2019. (Year: 2019).*

* cited by examiner

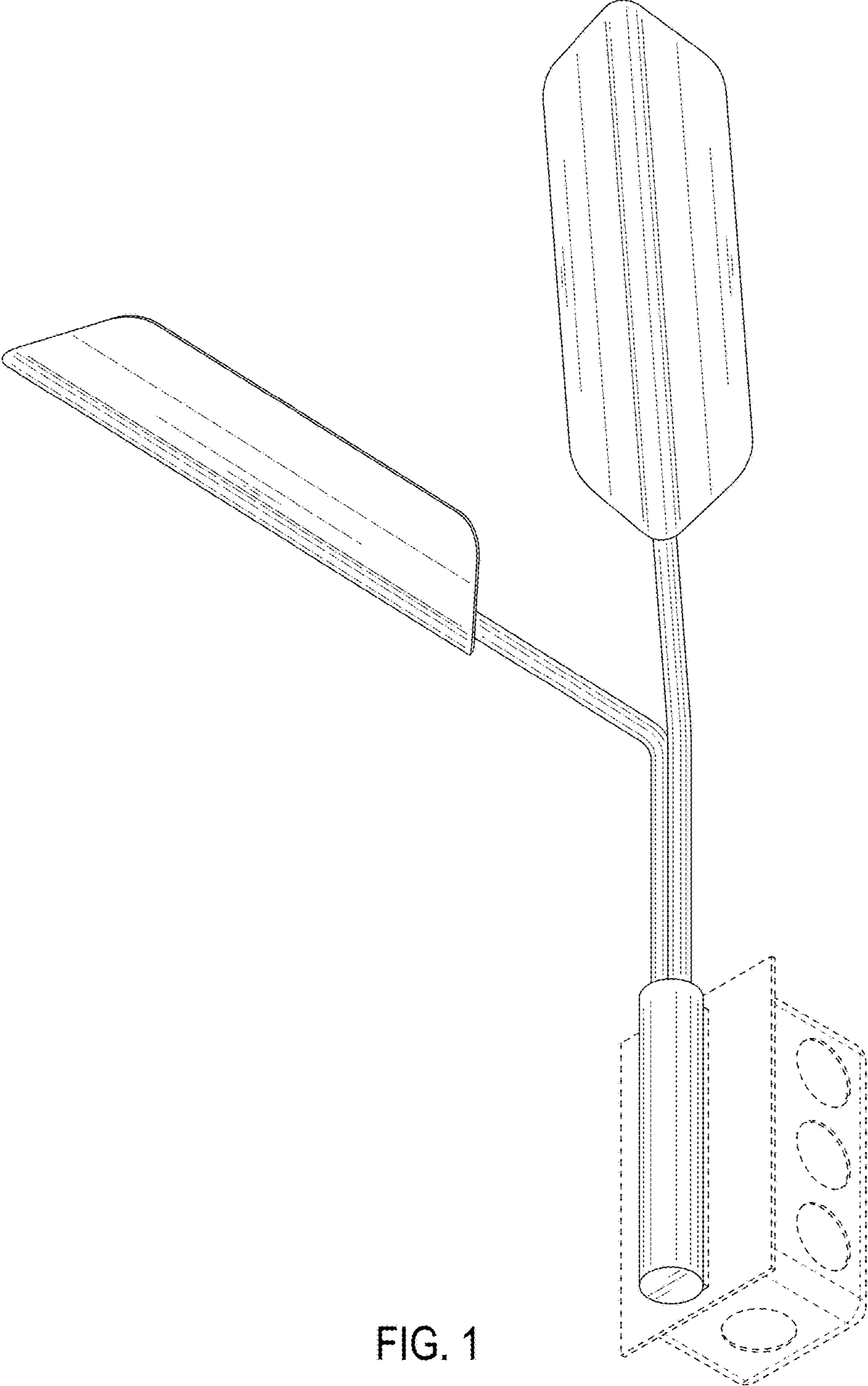


FIG. 1

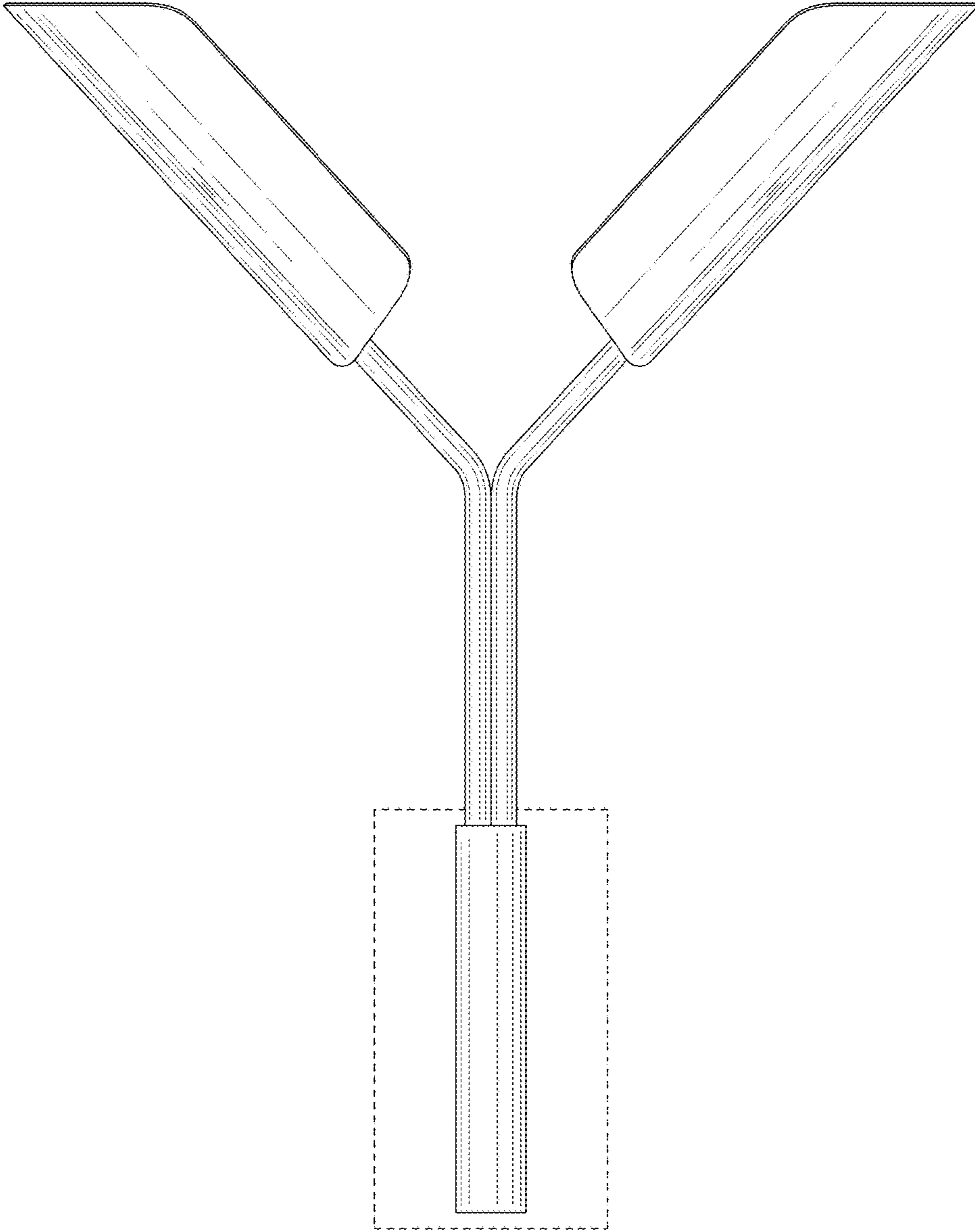


FIG. 2

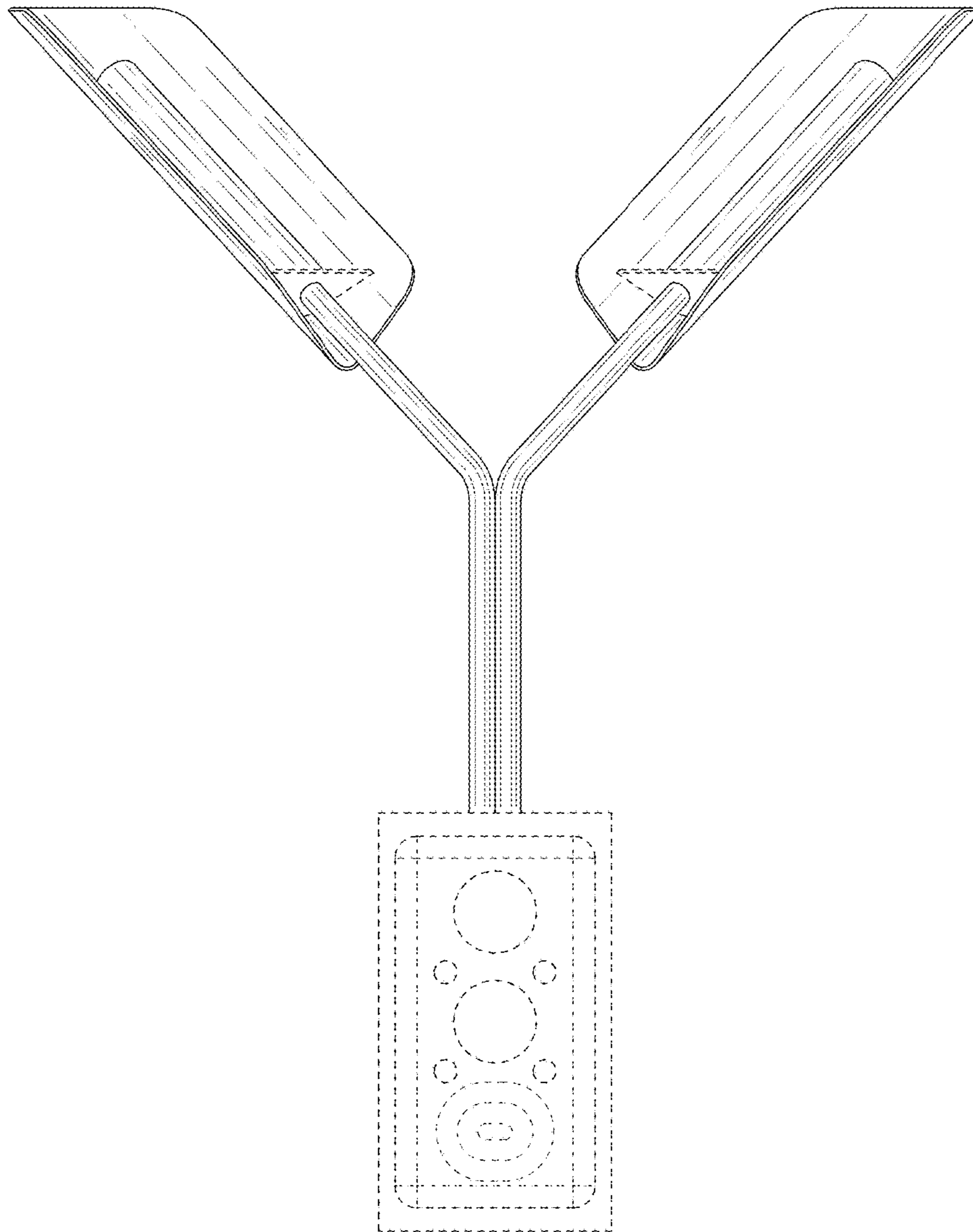


FIG. 3

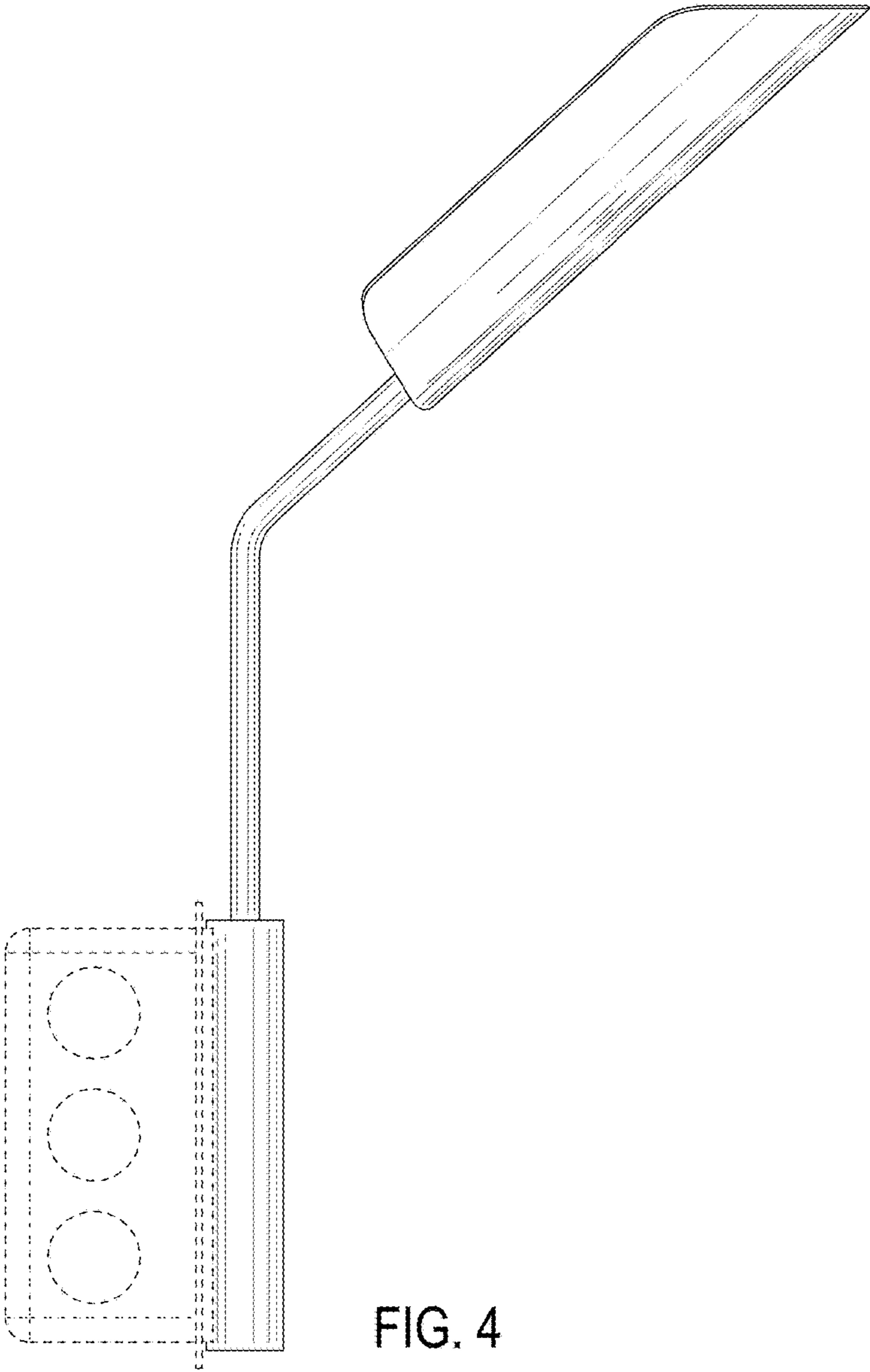


FIG. 4

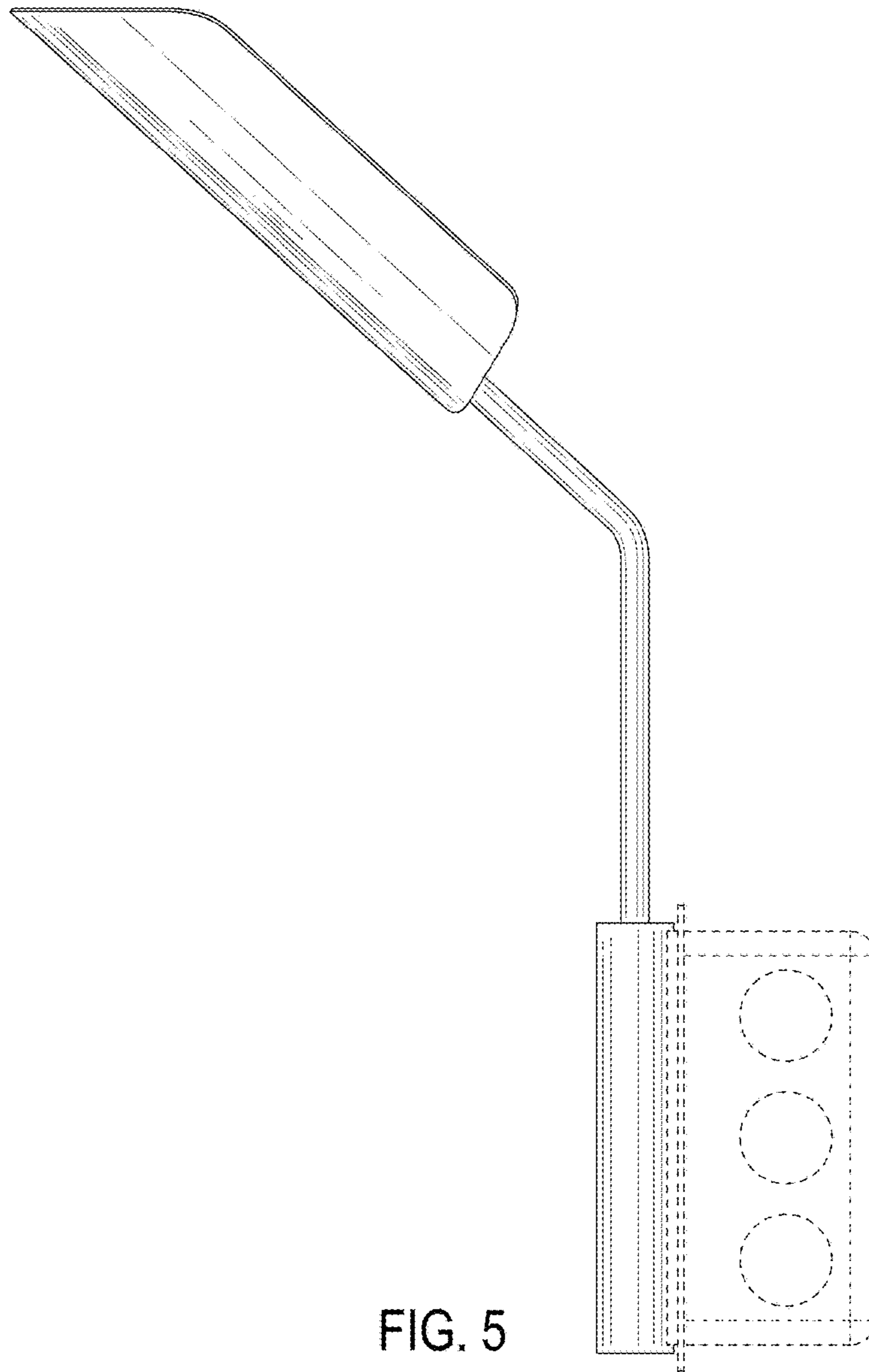


FIG. 5

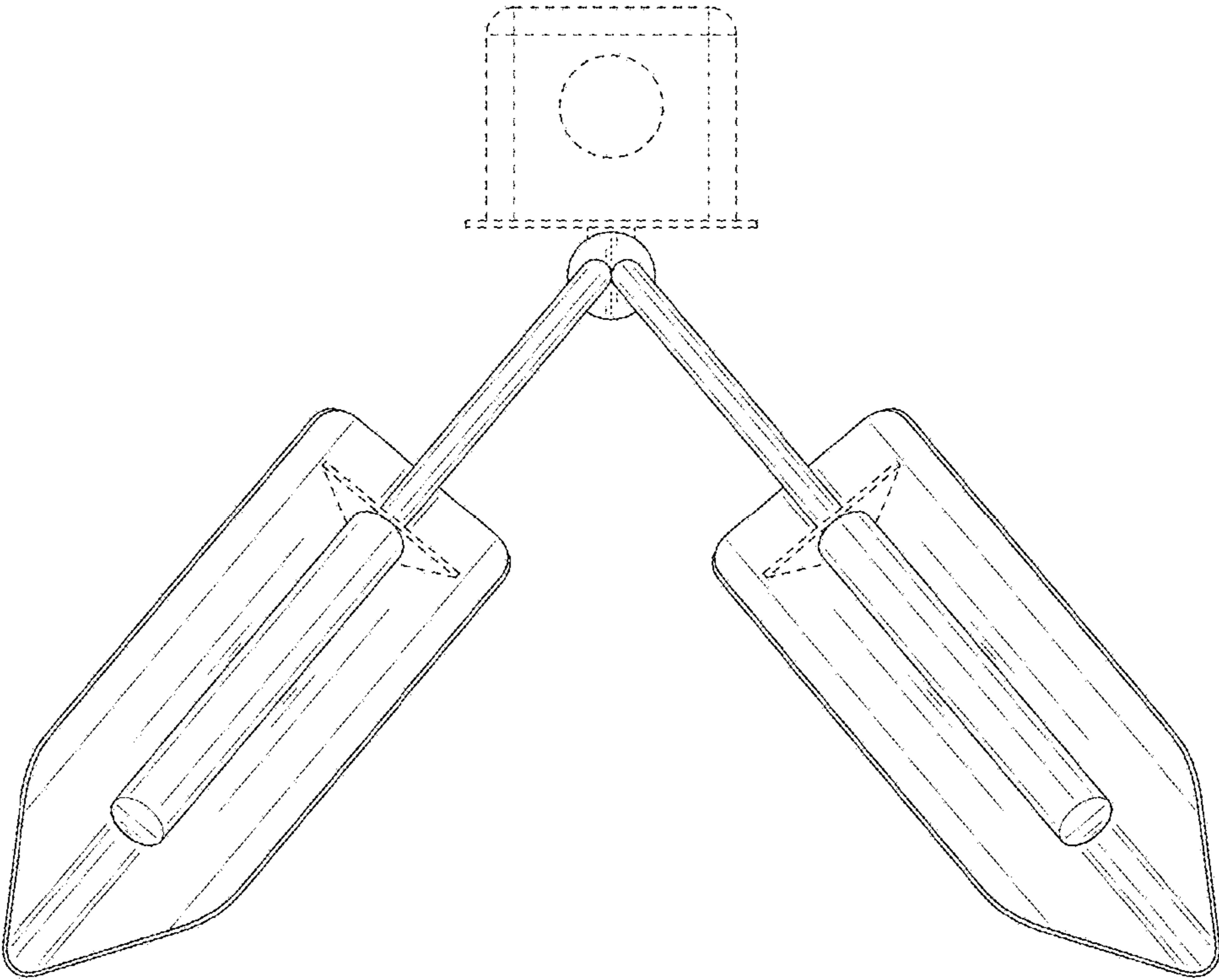


FIG. 6

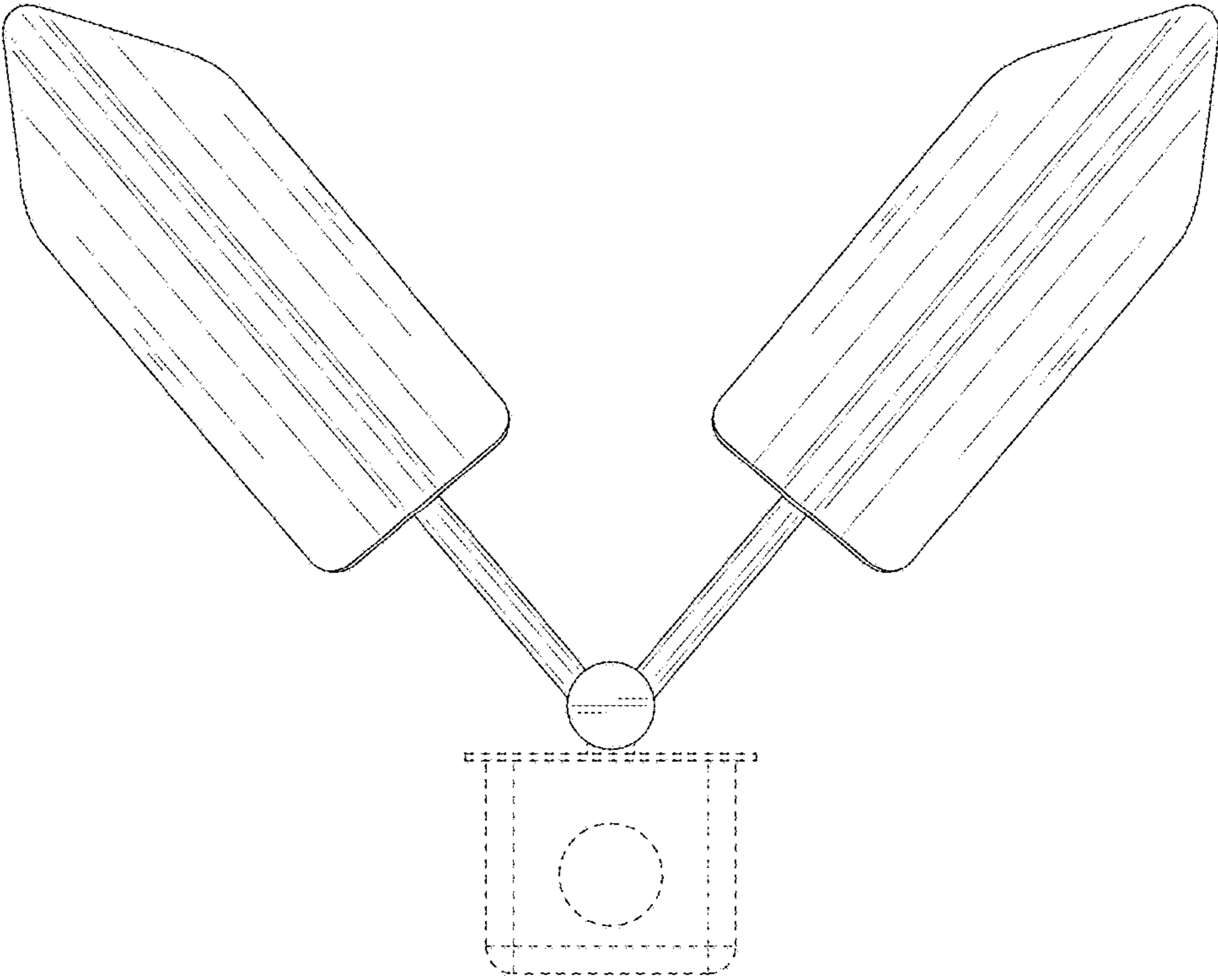


FIG. 7