



US00D855863S

(12) **United States Design Patent** (10) **Patent No.:** **US D855,863 S**  
**Sonneman** (45) **Date of Patent:** **\*\* Aug. 6, 2019**

(54) **LIGHT FIXTURE**

(71) Applicant: **Contemporary Visions, LLC**,  
Larchmont, NY (US)

(72) Inventor: **Robert A. Sonneman**, Mamaroneck,  
NY (US)

(73) Assignee: **Contemporary Visions, LLC**,  
Larchmont, NY (US)

(\*\*) Term: **15 Years**

(21) Appl. No.: **29/674,248**

(22) Filed: **Dec. 20, 2018**

(51) **LOC (12) Cl.** ..... **26-03**

(52) **U.S. Cl.**  
USPC ..... **D26/84; D26/86**

(58) **Field of Classification Search**  
USPC ..... D26/72, 80-92, 118, 143, 144  
CPC .... F21S 8/03; F21S 8/033; F21S 8/036; F21S  
8/037; F21S 8/038; F21S 8/04; F21S  
8/043; F21S 8/046; F21S 8/06; F21S  
8/061; F21S 8/063; F21S 8/065; F21S  
8/068

See application file for complete search history.

(56) **References Cited**

**U.S. PATENT DOCUMENTS**

D79,655 S \* 10/1929 Hoch ..... D26/85  
D80,313 S \* 1/1930 Hoch ..... D26/80  
1,845,035 A \* 2/1932 Boltuch ..... F21S 8/065  
362/232  
D128,482 S \* 7/1941 Elting ..... D26/144  
D181,554 S \* 11/1957 Stiffel ..... D11/125  
D420,161 S \* 2/2000 Zuege ..... D26/84  
D482,818 S \* 11/2003 Vegliante ..... D26/128  
D634,470 S \* 3/2011 Hsieh ..... D26/118  
D659,885 S \* 5/2012 Holder ..... D26/88  
D660,501 S \* 5/2012 Martin ..... D26/82  
D660,504 S \* 5/2012 Martin ..... D26/88  
D668,373 S \* 10/2012 Martin ..... D26/88

D712,583 S \* 9/2014 Albicini ..... D26/88  
D741,537 S \* 10/2015 Bakker ..... D26/118  
D757,328 S \* 5/2016 Anderson ..... D26/84  
(Continued)

**OTHER PUBLICATIONS**

Tropic gold leaf pendant lamp designed by Andrea Lazzari. Found  
at <archiproducts.com> visited Mar. 7, 2019. (Year: 2019).\*  
(Continued)

*Primary Examiner* — Clare E Heflin

(74) *Attorney, Agent, or Firm* — Gottlieb, Rackman &  
Reisman, P.C.

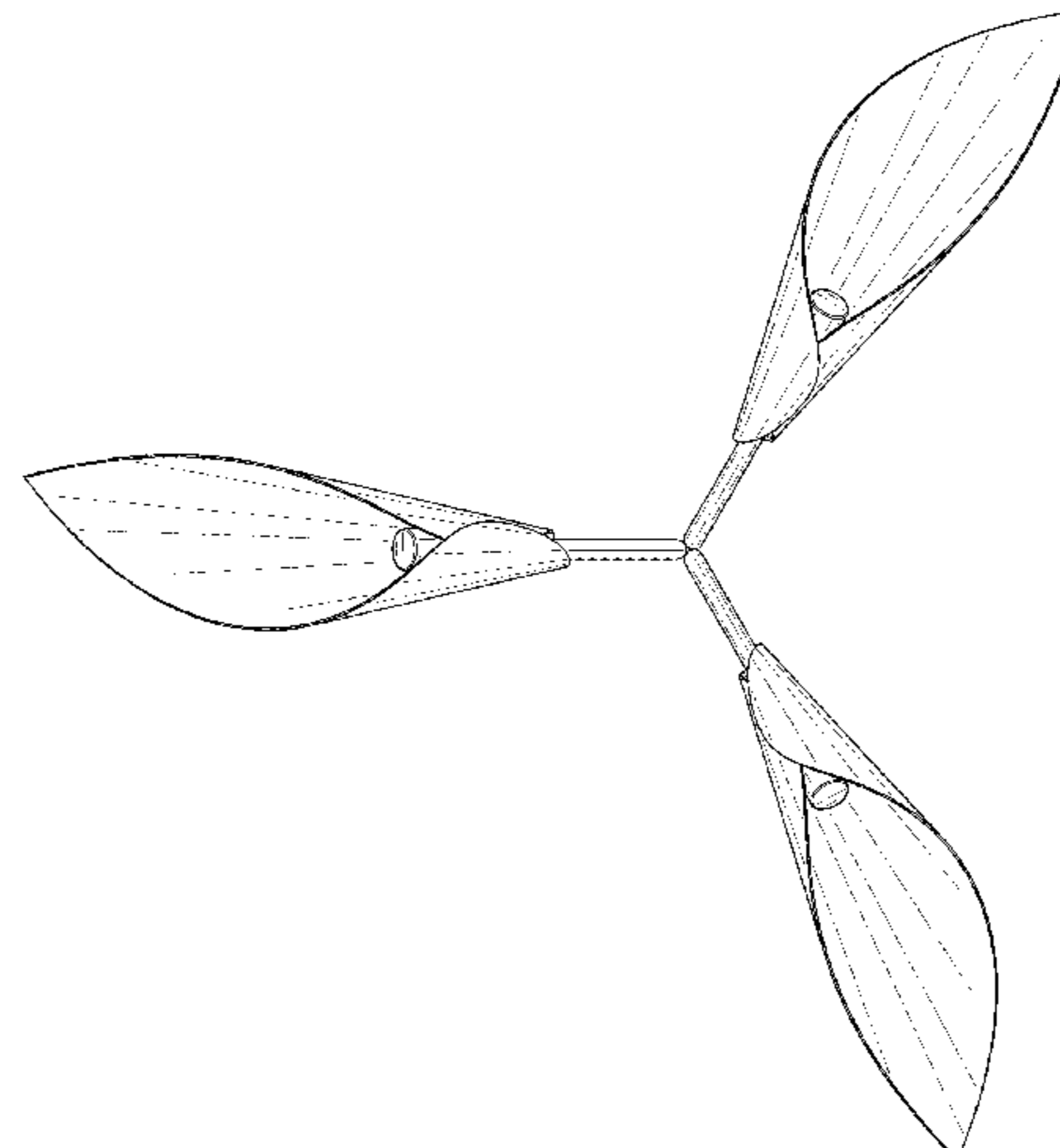
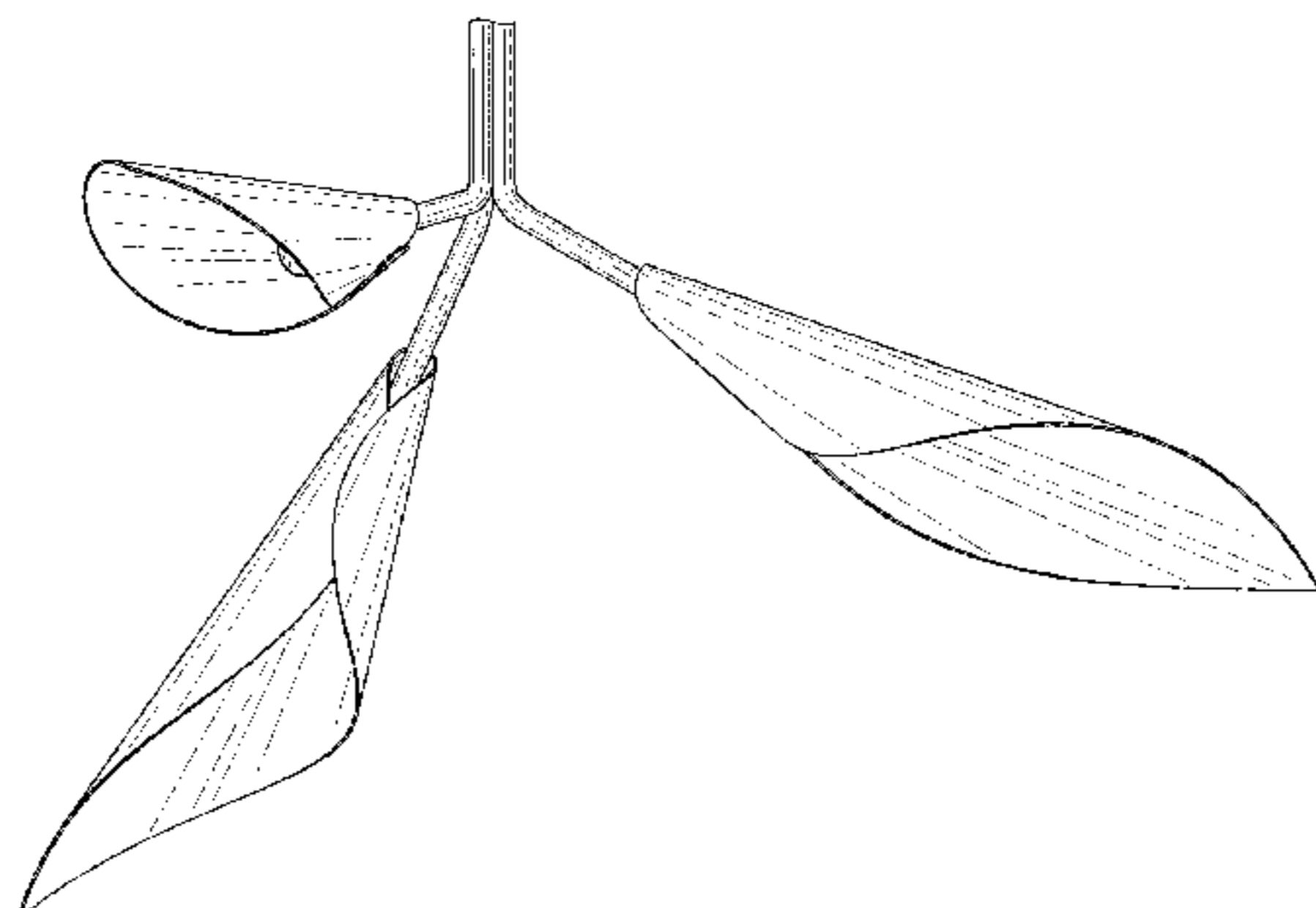
(57) **CLAIM**

The ornamental design for a light fixture, as shown and  
described.

**DESCRIPTION**

FIG. 1 is a perspective view of an embodiment of a light  
fixture showing our new design;  
FIG. 2 is a front elevational view of FIG. 1;  
FIG. 3 is a rear elevational view of FIG. 1;  
FIG. 4 is a right side elevational view of FIG. 1;  
FIG. 5 is a left side elevational view of FIG. 1;  
FIG. 6 is a top plan view of FIG. 1;  
FIG. 7 is a bottom plan view of FIG. 1;  
FIG. 8 is a perspective view of another embodiment of a  
light fixture showing our new design;  
FIG. 9 is a front elevational view of FIG. 8;  
FIG. 10 is a rear elevational view of FIG. 8;  
FIG. 11 is a right side elevational view of FIG. 8;  
FIG. 12 is a left side elevational view of FIG. 8;  
FIG. 13 is a top plan view of FIG. 8; and,  
FIG. 14 is a bottom plan view of FIG. 8.  
The broken lines shown in the drawings are included for the  
purpose of illustrating elements of the light fixture, that is  
configured to be hung from a surface, that form no part of  
the claimed design.

**1 Claim, 14 Drawing Sheets**



(56)

**References Cited**

U.S. PATENT DOCUMENTS

|            |   |        |                   |         |
|------------|---|--------|-------------------|---------|
| D780,984 S | * | 3/2017 | Urquiola .....    | D26/107 |
| D791,385 S | * | 7/2017 | Sonneman .....    | D26/84  |
| D809,181 S | * | 1/2018 | Calvo Lopez ..... | D26/88  |
| D819,865 S | * | 6/2018 | Amato .....       | D26/81  |
| D819,867 S | * | 6/2018 | Hendifar .....    | D26/84  |
| D826,457 S | * | 8/2018 | Amato .....       | D26/86  |

OTHER PUBLICATIONS

Pappardelle direct light pendant lamp by Gamadecor, found at <archiproducts.com> visited Mar. 7, 2019. (Year: 2019).\*

Brass and Glass Ceiling Lamp from Doria Leuchten circa 1950. Found at <pamono.com> visited Mar. 7, 2019. (Year: 1950).\*

Calla® by Sonneman—A Way of Light. Found at <son-nemanawayofflight.com> visited Mar. 7, 2019. (Year: 2019).\*

Forwin floor lamp found at <amazon.com> visited Mar. 7, 2019. (Year: 2019).\*

\* cited by examiner

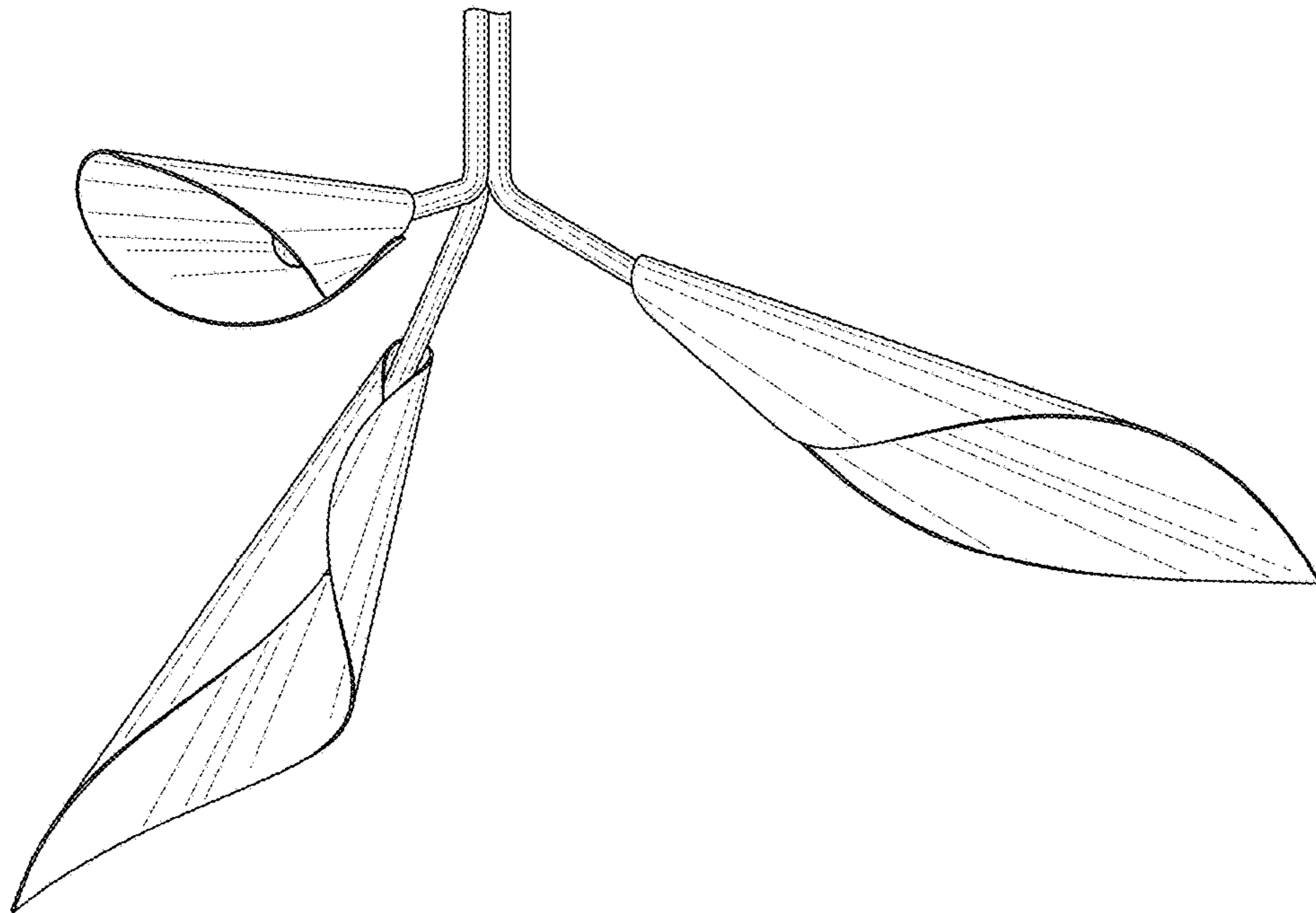


FIG. 1

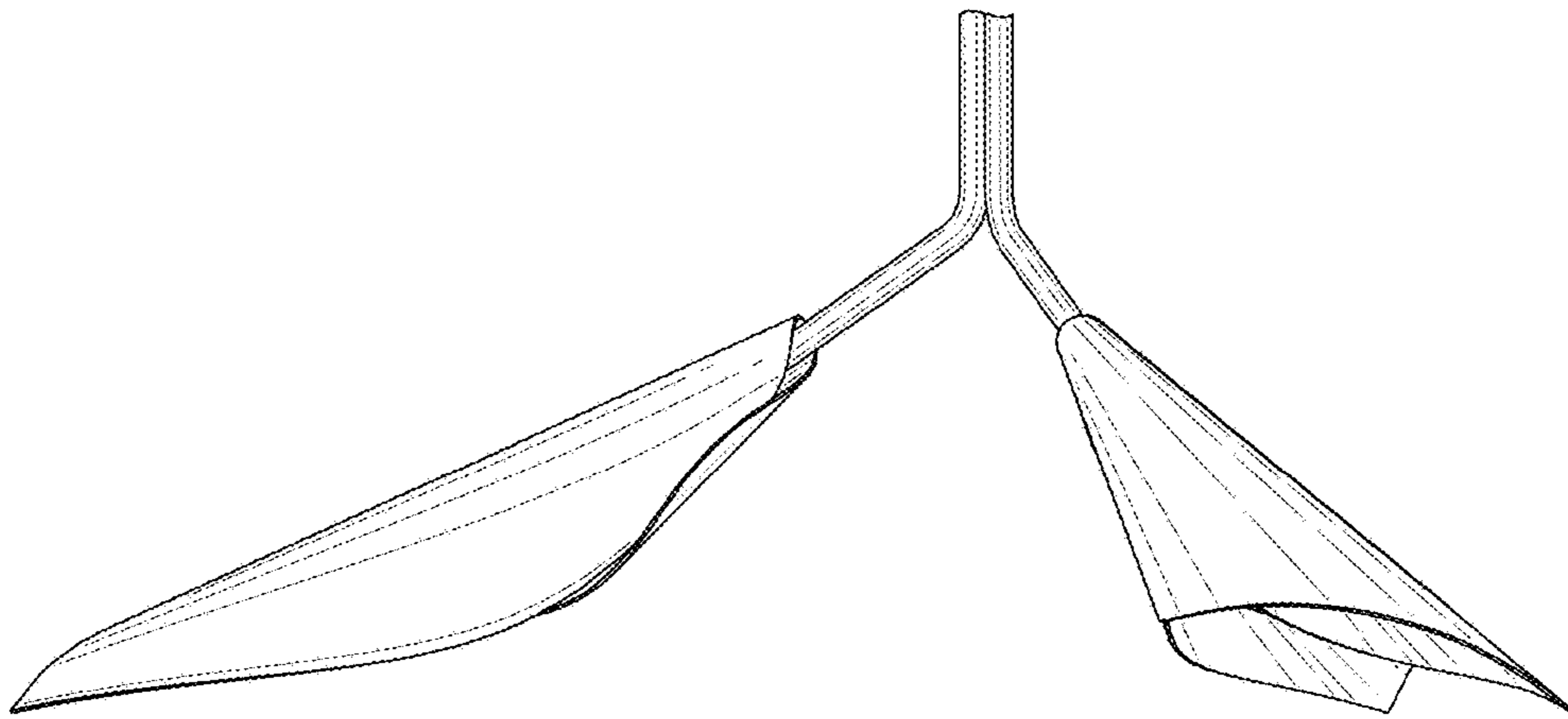


FIG. 2

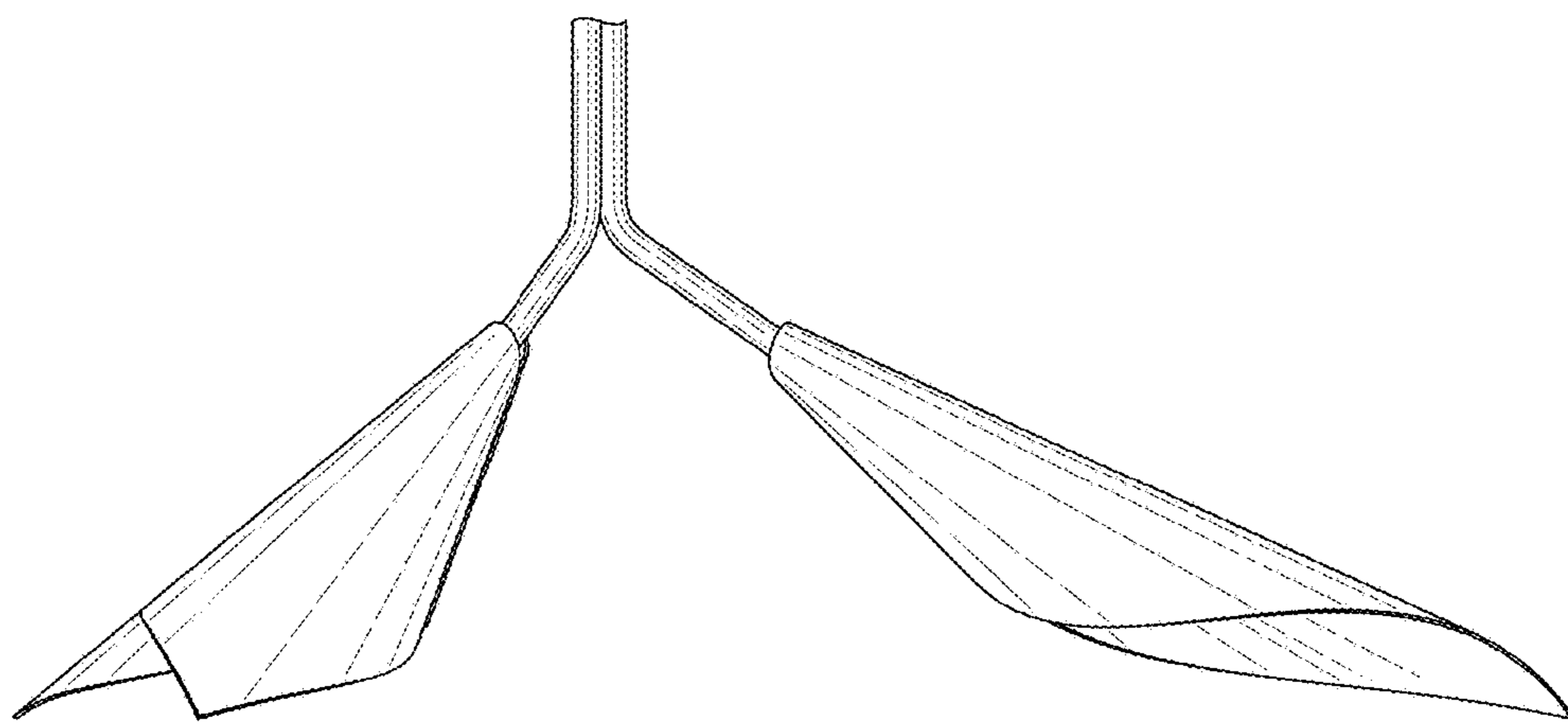


FIG. 3

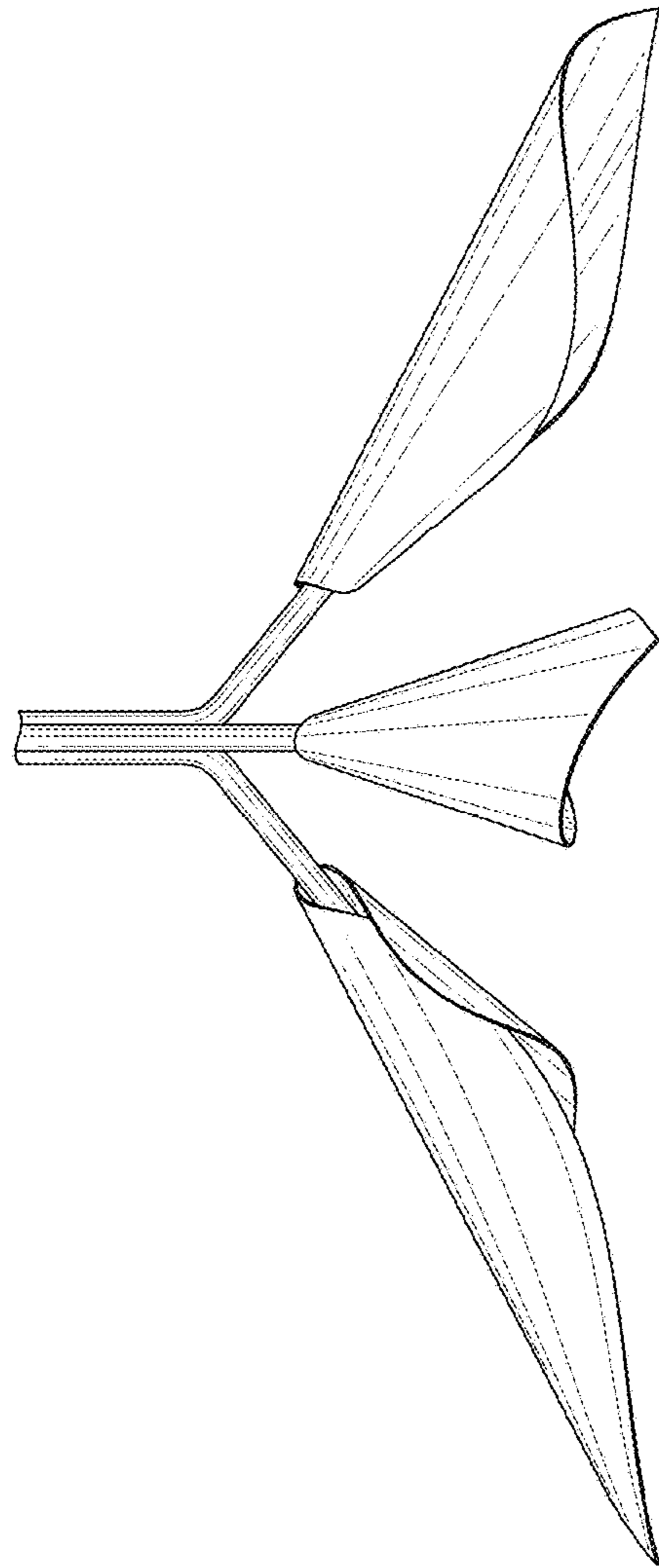


FIG. 4

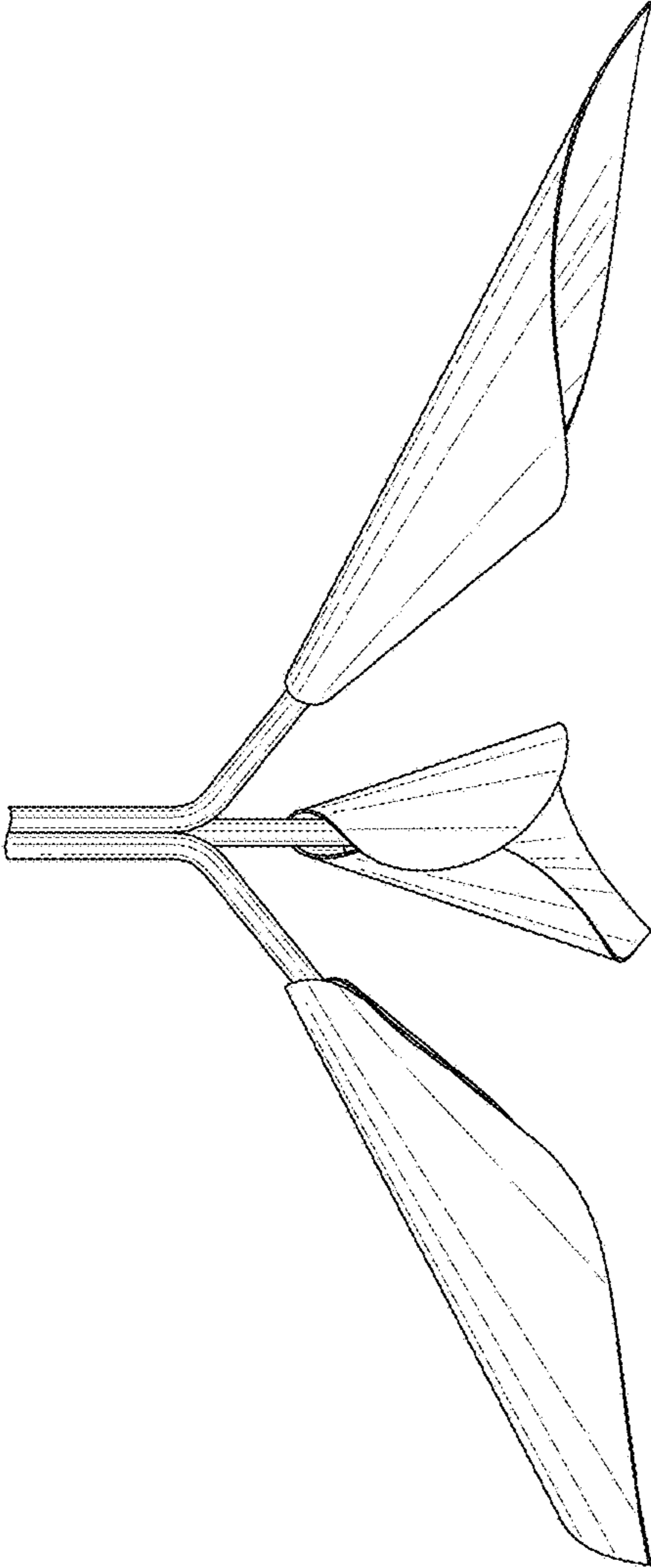


FIG. 5

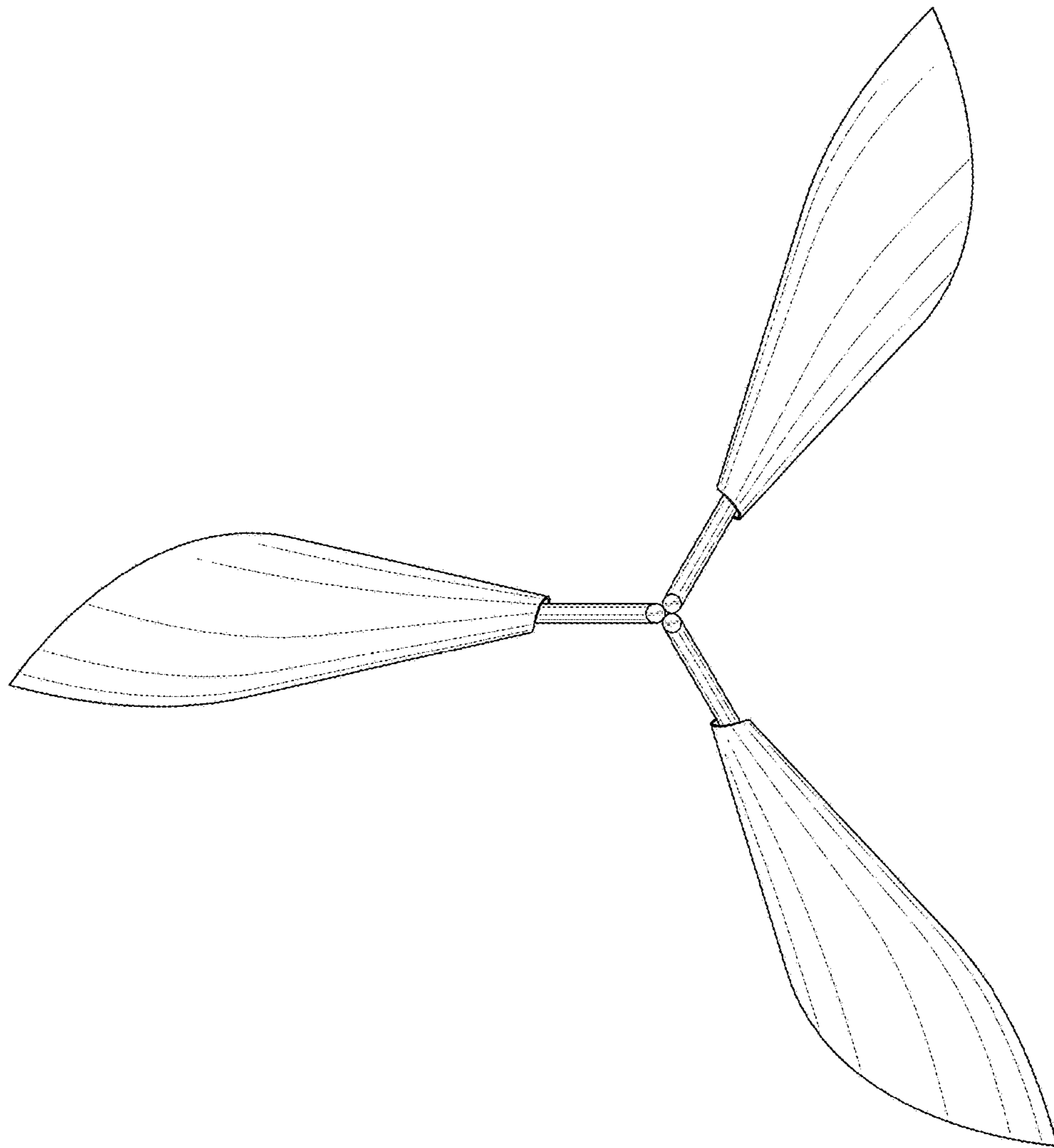


FIG. 6



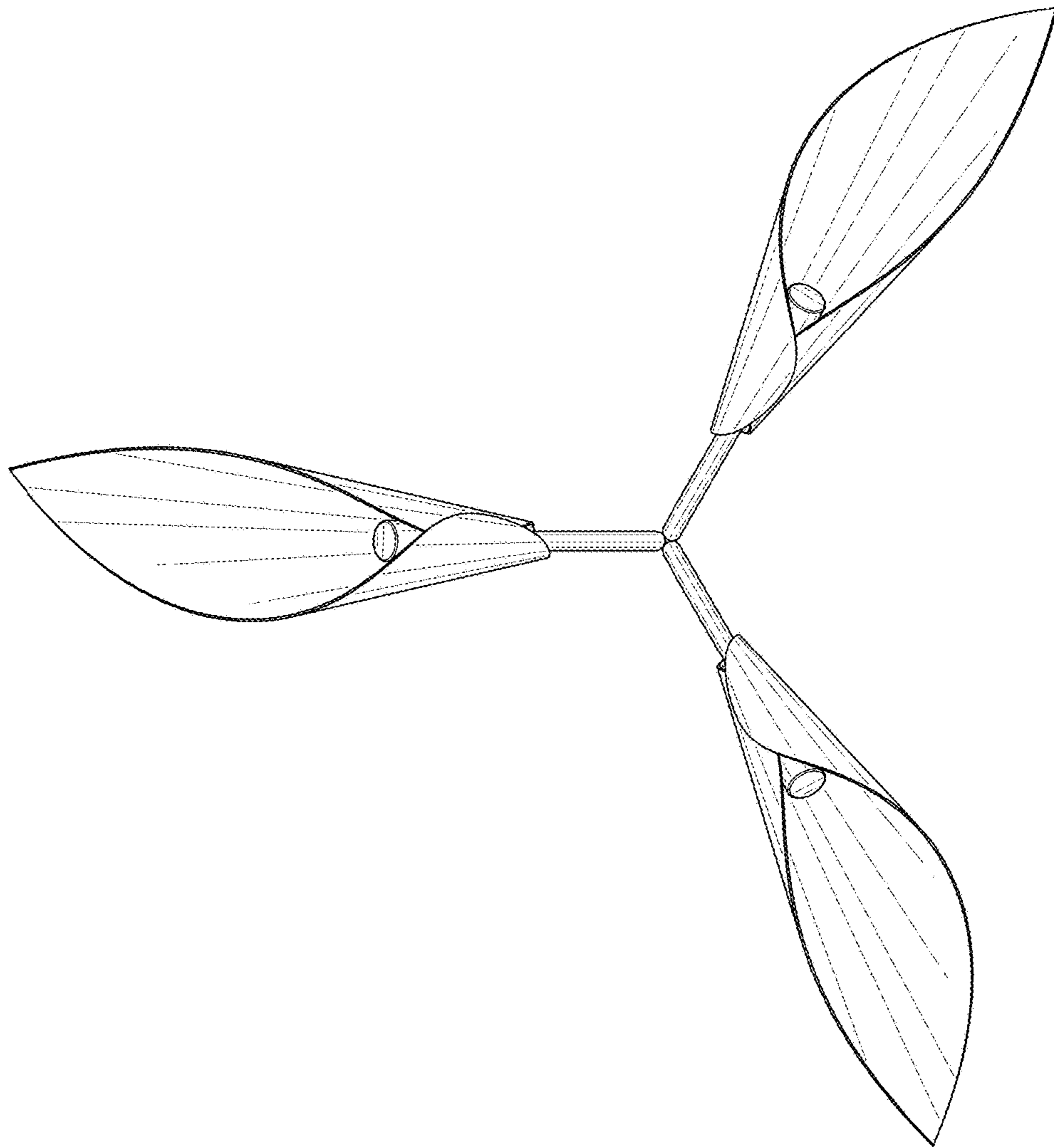


FIG. 7

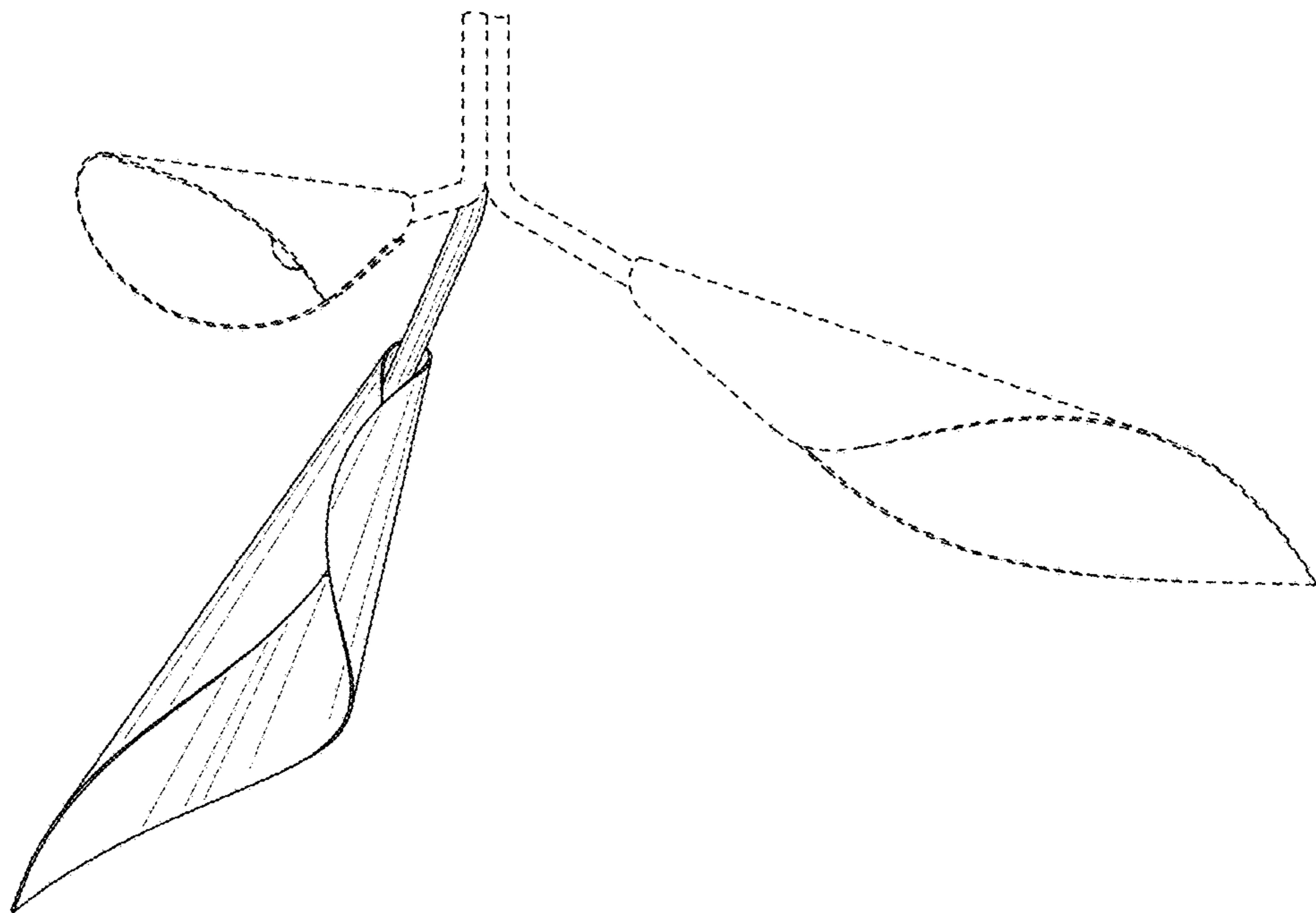


FIG. 8

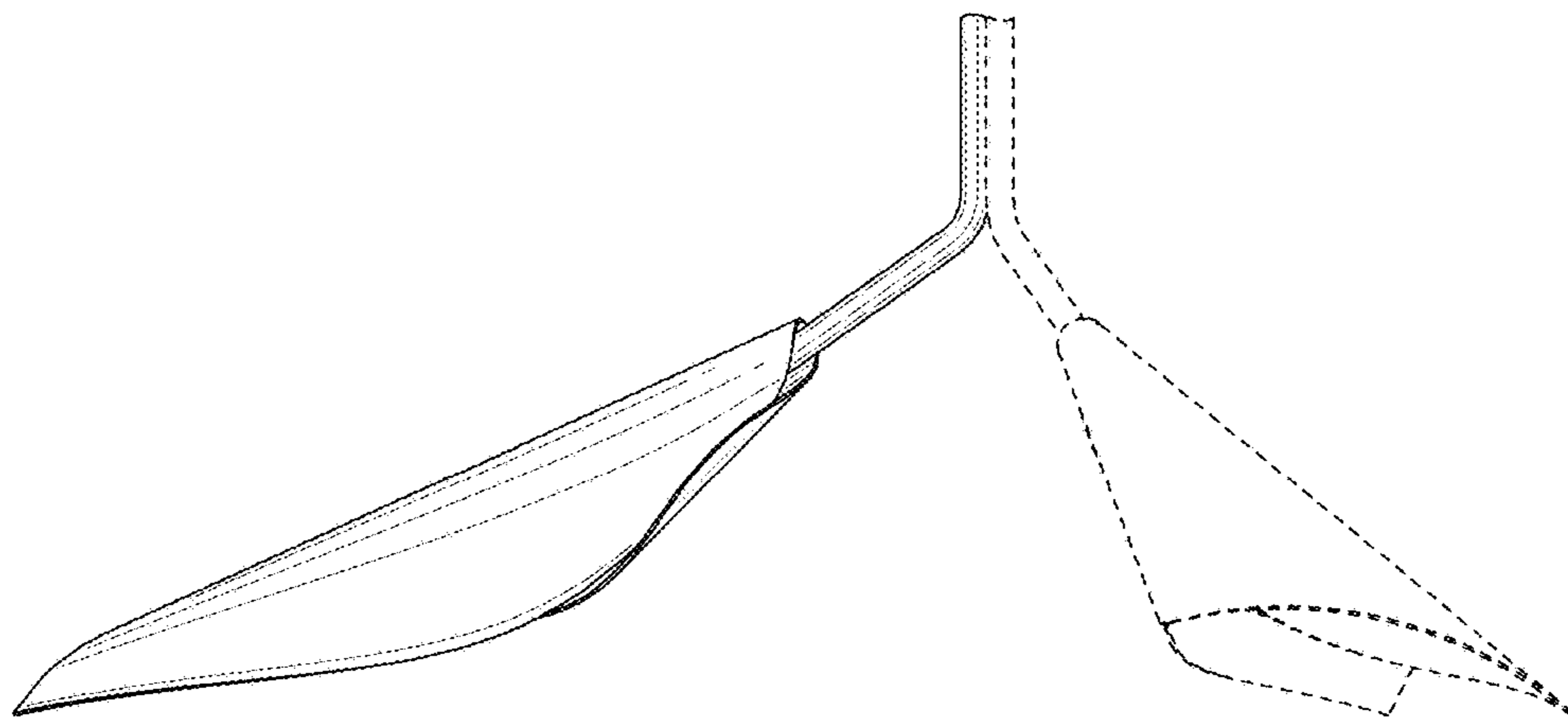


FIG. 9

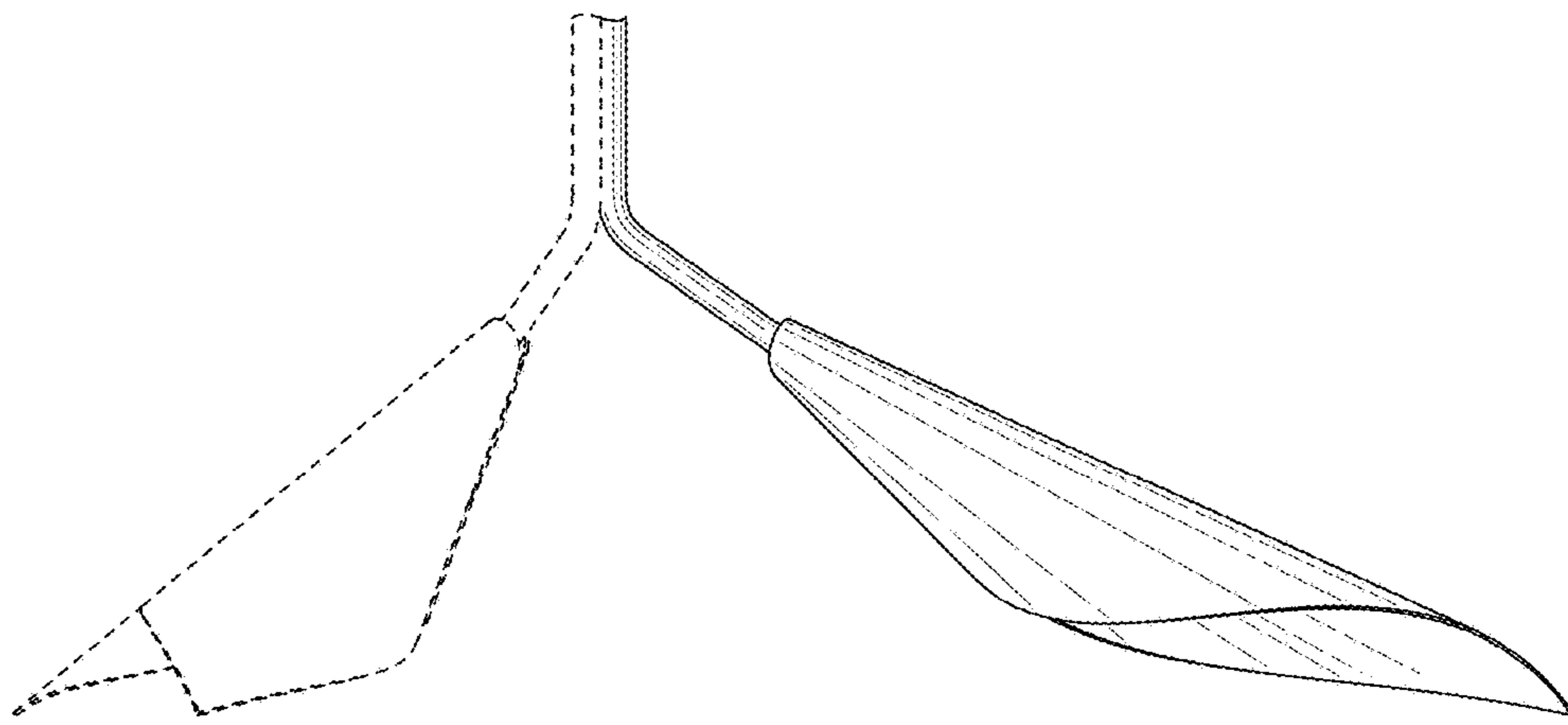


FIG. 10

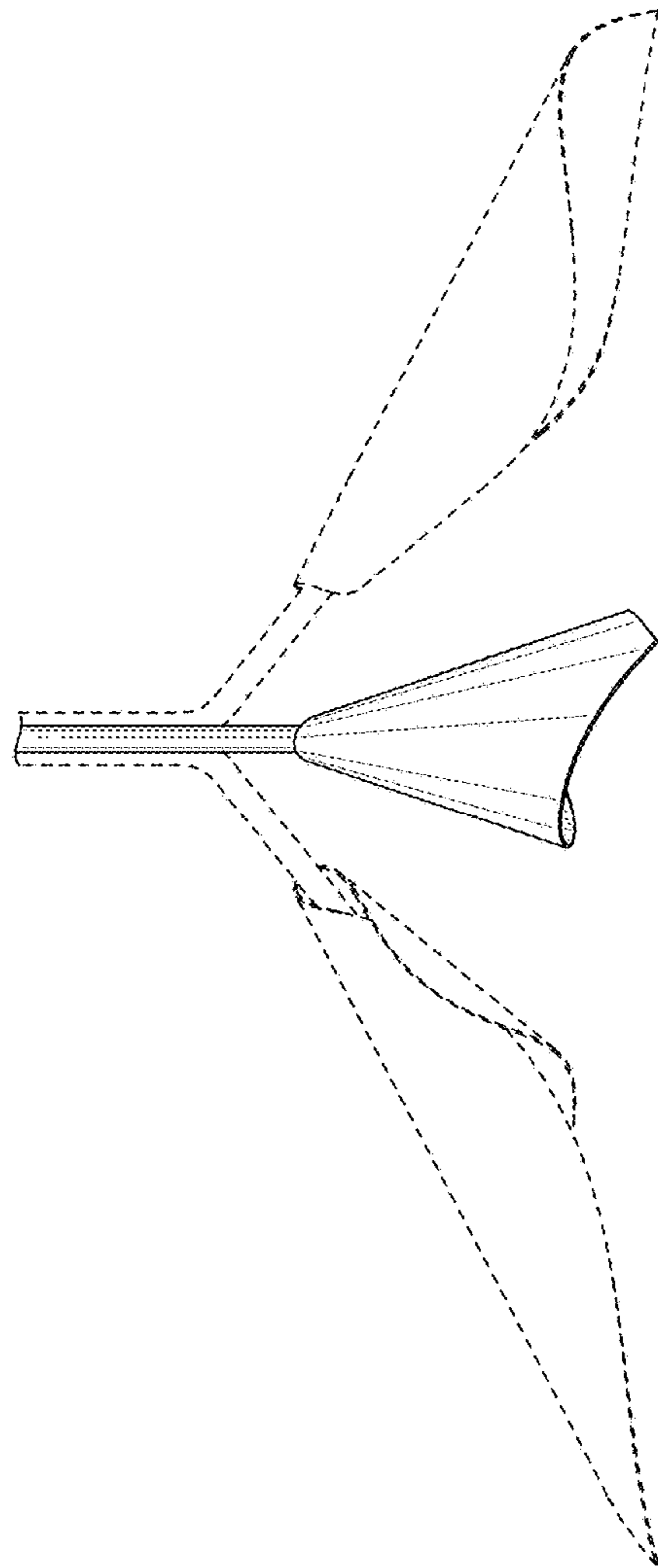


FIG. 11

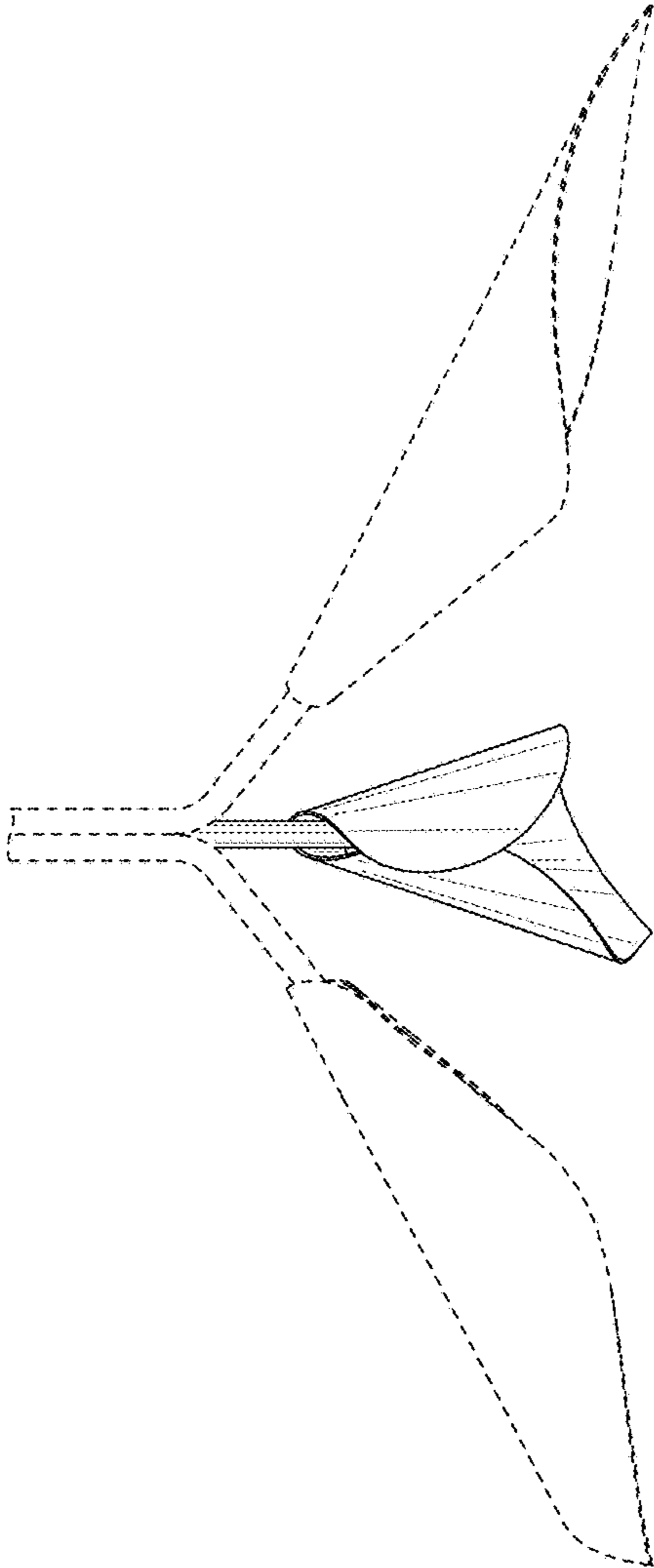


FIG. 12

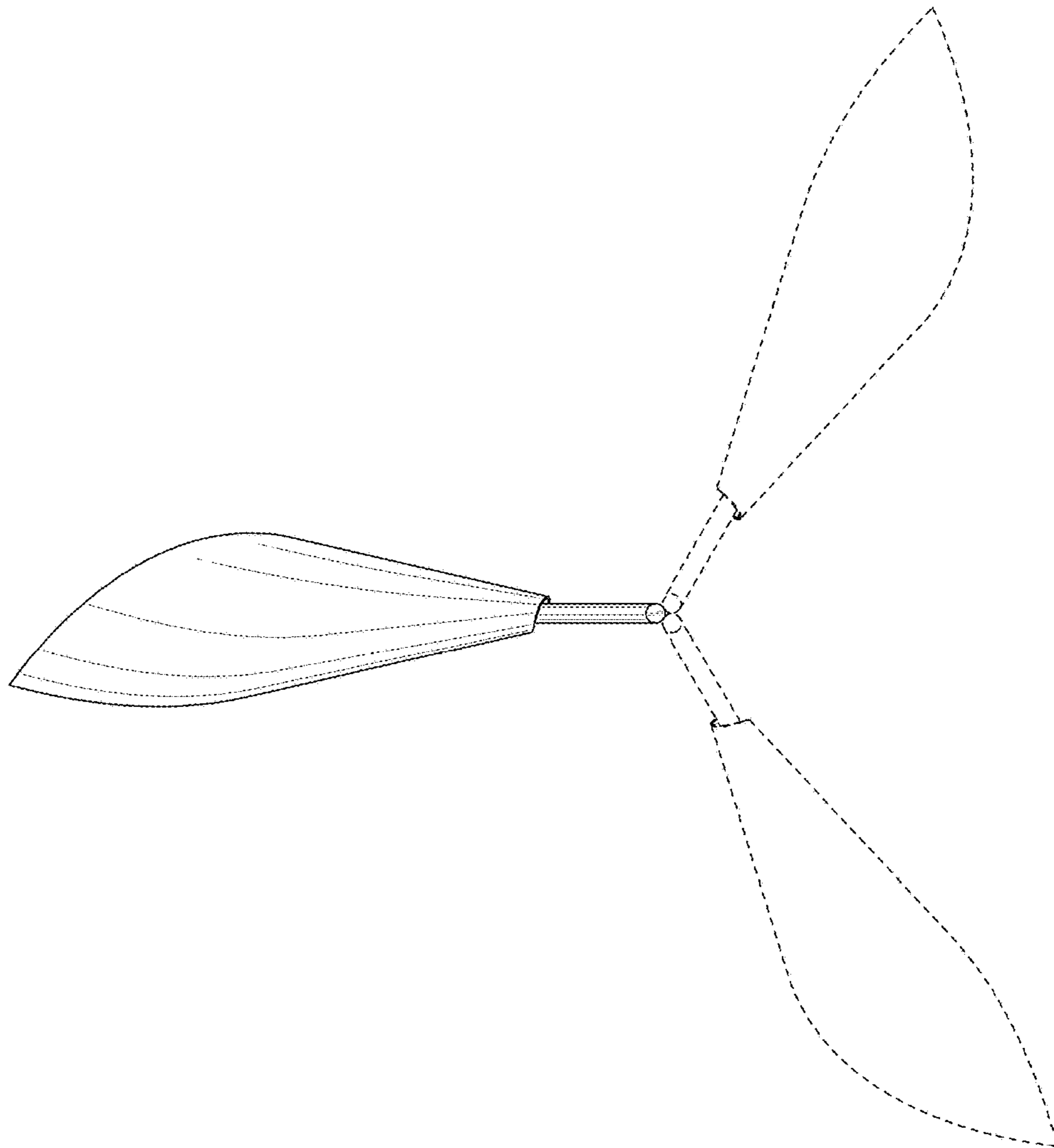


FIG. 13

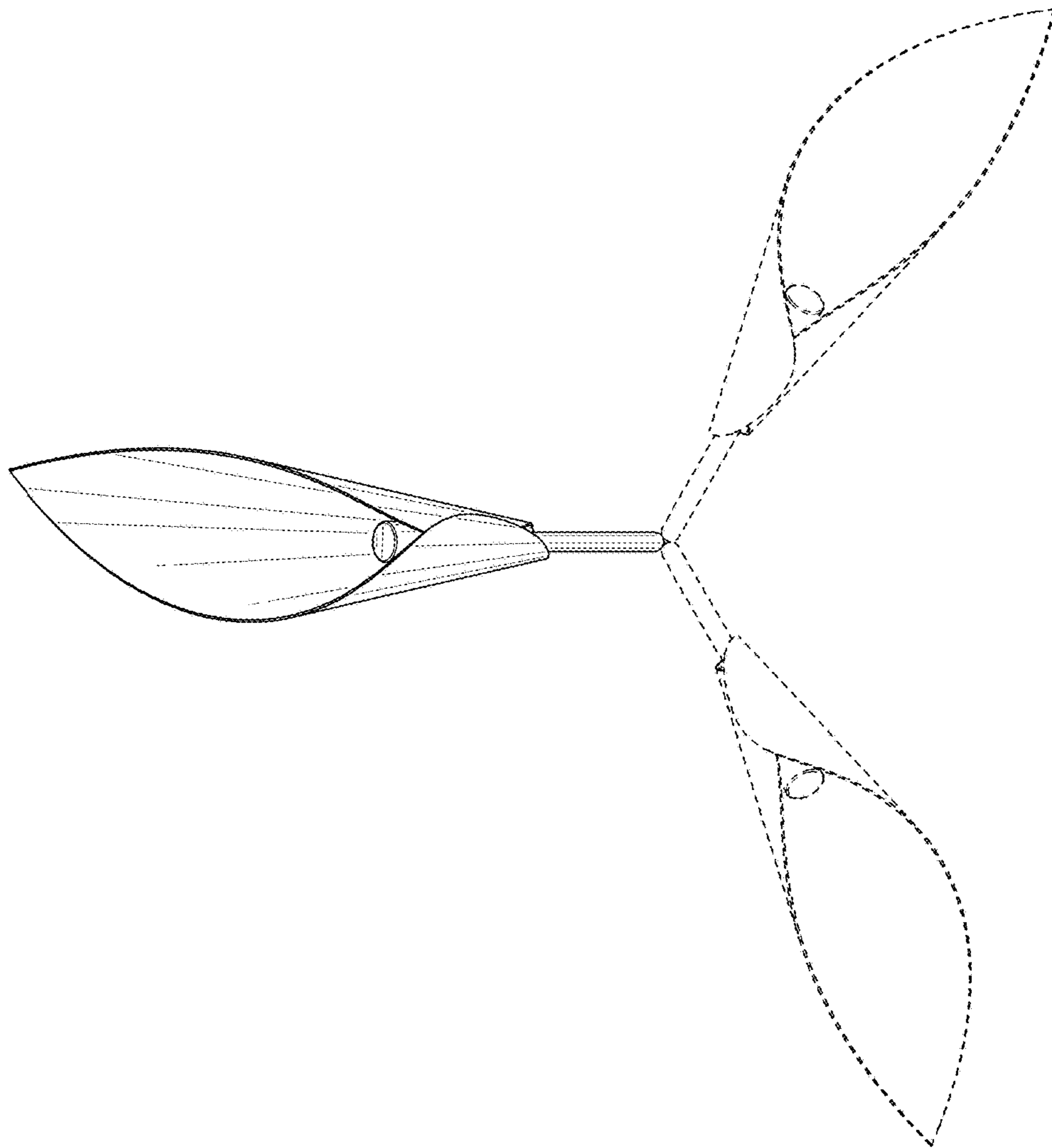


FIG. 14