



US00D855862S

(12) **United States Design Patent**
Verfuwerth et al.

(10) **Patent No.:** **US D855,862 S**

(45) **Date of Patent:** **** Aug. 6, 2019**

(54) **LIGHTING FIXTURE**

(71) Applicant: **Energy Bank Incorporated,**
Manitowoc, WI (US)

(72) Inventors: **Neal R. Verfuwerth,** Manitowoc, WI
(US); **Brandon James King,**
Manitowoc, WI (US)

(73) Assignee: **Energy Bank Incorporated,**
Manitowoc, WI (US)

(**) Term: **15 Years**

(21) Appl. No.: **29/669,231**

(22) Filed: **Nov. 6, 2018**

Related U.S. Application Data

(60) Division of application No. 29/565,886, filed on May
25, 2016, now Pat. No. Des. 833,052, which is a
(Continued)

(51) **LOC (12) Cl.** **26-04**

(52) **U.S. Cl.**
USPC **D26/76**

(58) **Field of Classification Search**
USPC D26/76, 78, 79, 80, 81, 82, 83, 85, 86,
D26/88, 90, 93, 111, 113, 118, 119, 120,
(Continued)

(56) **References Cited**

U.S. PATENT DOCUMENTS

D413,402 S 8/1999 Ranieri
D418,936 S 1/2000 Dunning
(Continued)

Primary Examiner — Natasha Vujcic

(74) *Attorney, Agent, or Firm* — Smith Keane LLP

(57) **CLAIM**

The ornamental design for a lighting fixture, as shown and
described.

DESCRIPTION

FIG. 1 is a top perspective view of a first embodiment of the
lighting fixture;

FIG. 2 is a bottom perspective view of the embodiment of
FIG. 1;

FIG. 3 is a right elevation view of the embodiment of FIG.
1;

FIG. 4 is a left elevation view of the embodiment of FIG. 1;
FIG. 5 is a rear elevation view of the embodiment of FIG.
1;

FIG. 6 is a front elevation view of the embodiment of FIG.
1;

FIG. 7 is a top plan view of the embodiment of FIG. 1;

FIG. 8 is a bottom plan view of the embodiment of FIG. 1;
FIG. 9 is a top perspective view of a second embodiment of
the lighting fixture;

FIG. 10 is a bottom perspective view of the embodiment of
FIG. 9;

FIG. 11 is a right elevation view of the embodiment of FIG.
9;

FIG. 12 is a left elevation view of the embodiment of FIG.
9;

FIG. 13 is a rear elevation view of the embodiment of FIG.
9;

FIG. 14 is a front elevation view of the embodiment of FIG.
9;

FIG. 15 is a top plan view of the embodiment of FIG. 9;

FIG. 16 is a bottom plan view of the embodiment of FIG. 9;

FIG. 17 is a top perspective view of a third embodiment of
the lighting fixture;

FIG. 18 is a bottom perspective view of the embodiment of
FIG. 17;

FIG. 19 is a right elevation view of the embodiment of FIG.
17;

FIG. 20 is a left elevation view of the embodiment of FIG.
17;

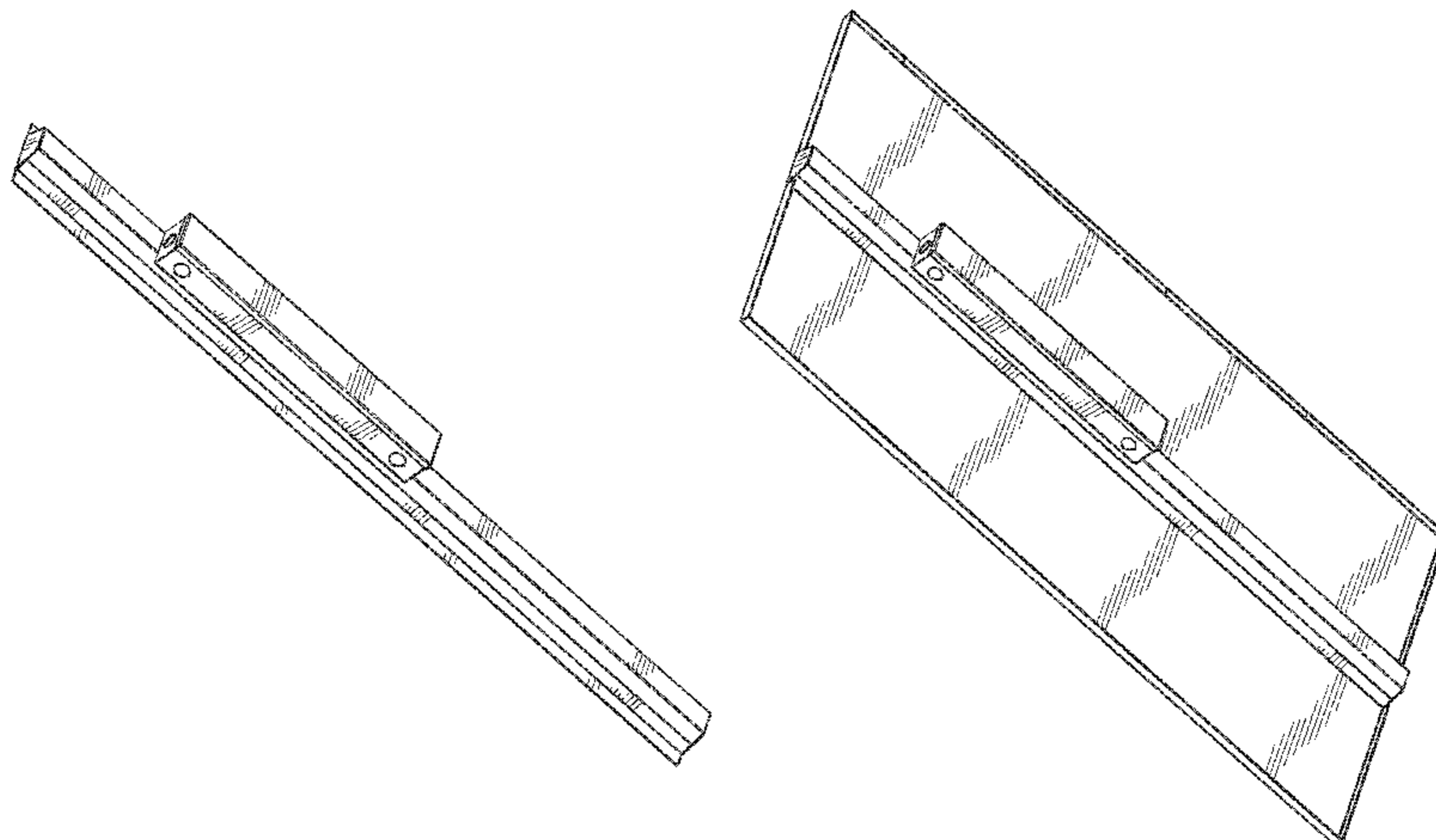
FIG. 21 is a rear elevation view of the embodiment of FIG.
17;

FIG. 22 is a front elevation view of the embodiment of FIG.
17;

FIG. 23 is a top plan view of the embodiment of FIG. 17;
and,

FIG. 24 is a bottom plan view of the embodiment of FIG. 17.

1 Claim, 14 Drawing Sheets



Related U.S. Application Data

continuation-in-part of application No. 15/074,421,
filed on Mar. 18, 2016, now Pat. No. 9,874,338.

(58) **Field of Classification Search**

USPC D26/121, 122, 138, 139, 140, 141, 142,
D26/152

CPC F21S 2/00; F21S 4/00; F21S 4/003; F21S
4/005; F21S 4/006; F21S 4/007; F21S
4/008; F21S 6/00; F21S 8/00; F21S
8/024; F21S 8/026; F21S 8/031; F21S
8/033; F21S 8/035-037; F21S 8/04; F21S
8/043; F21S 8/063

See application file for complete search history.

(56) **References Cited**

U.S. PATENT DOCUMENTS

D520,667 S 5/2006 Jae-Sung
D521,173 S 5/2006 Noh
D526,737 S 8/2006 Noh
D554,794 S * 11/2007 Tseng D26/75
D556,358 S 11/2007 Santoro

D584,848 S 1/2009 Menke
D608,928 S 1/2010 Noh
D616,138 S 5/2010 Lasthein
D632,419 S * 2/2011 Ng D26/78
D655,442 S * 3/2012 Sabernig D26/88
D662,643 S 6/2012 Takahashi
D663,065 S * 7/2012 Beghelli D26/76
D667,156 S 9/2012 Pickard
D679,445 S * 4/2013 Kong D26/122
D701,343 S * 3/2014 Ng D26/76
D709,636 S * 7/2014 Murata D26/72
D712,081 S * 8/2014 Murata D26/72
D716,489 S 10/2014 O'Leary
D729,423 S 5/2015 Noh
9,052,075 B2 6/2015 Demuynck
D735,392 S 7/2015 Ng
D747,539 S 1/2016 Santoro
D785,820 S * 5/2017 Gao D26/2
D805,233 S 12/2017 Verfuert
D808,059 S * 1/2018 Li D26/76
D818,626 S * 5/2018 Park D26/76
D833,052 S * 11/2018 Verfuert D26/76
D833,664 S * 11/2018 Verfuert D26/76
D836,815 S * 12/2018 Patterson D26/76
2012/0051041 A1 3/2012 Edmond

* cited by examiner

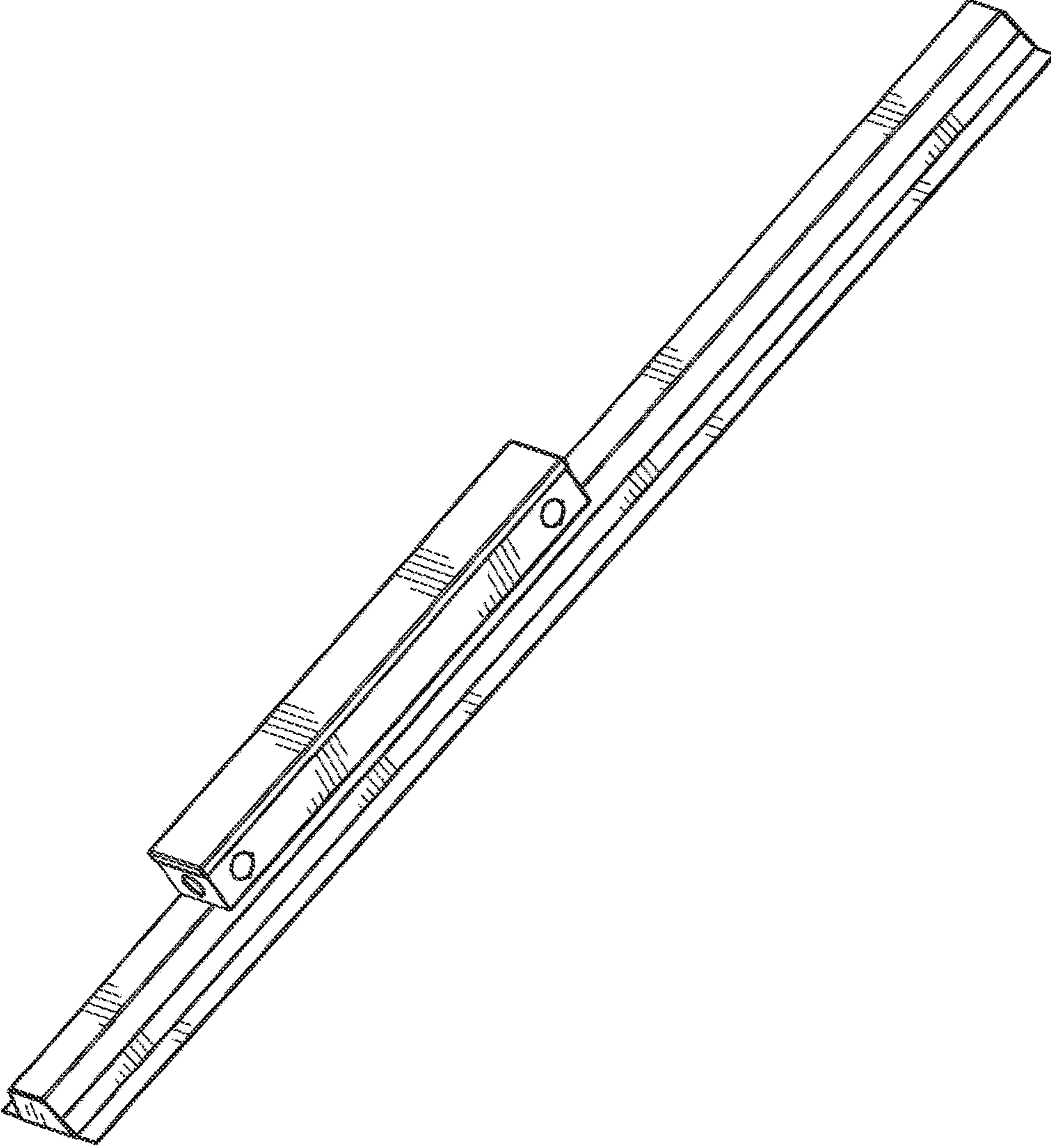


FIG. 1

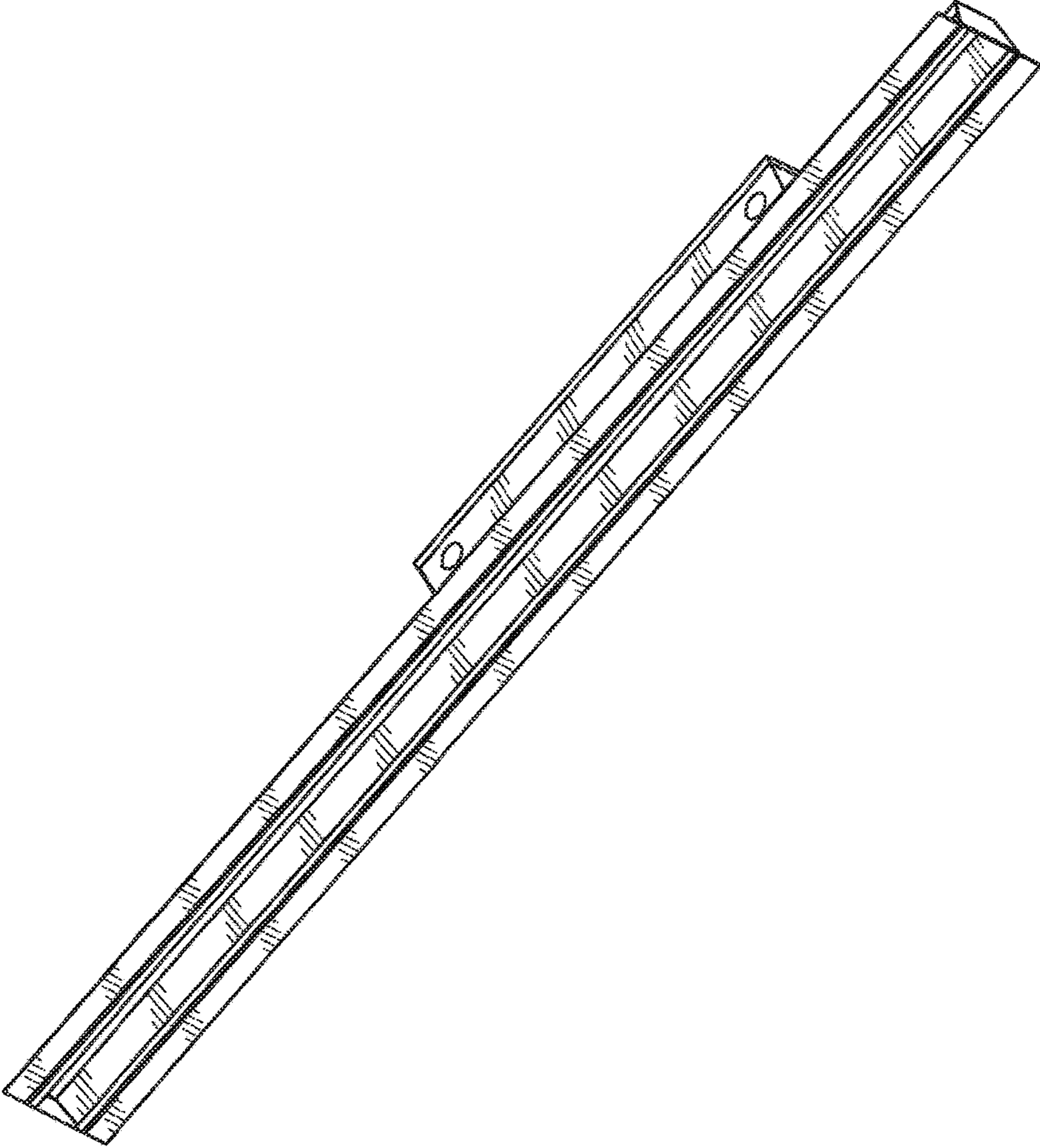


FIG. 2

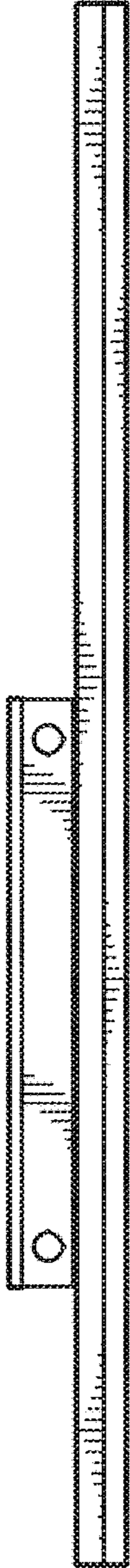


FIG. 3

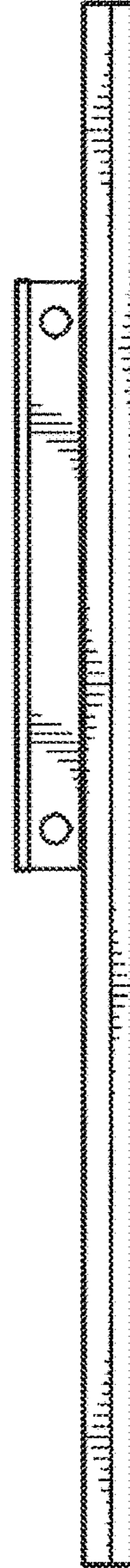


FIG. 4

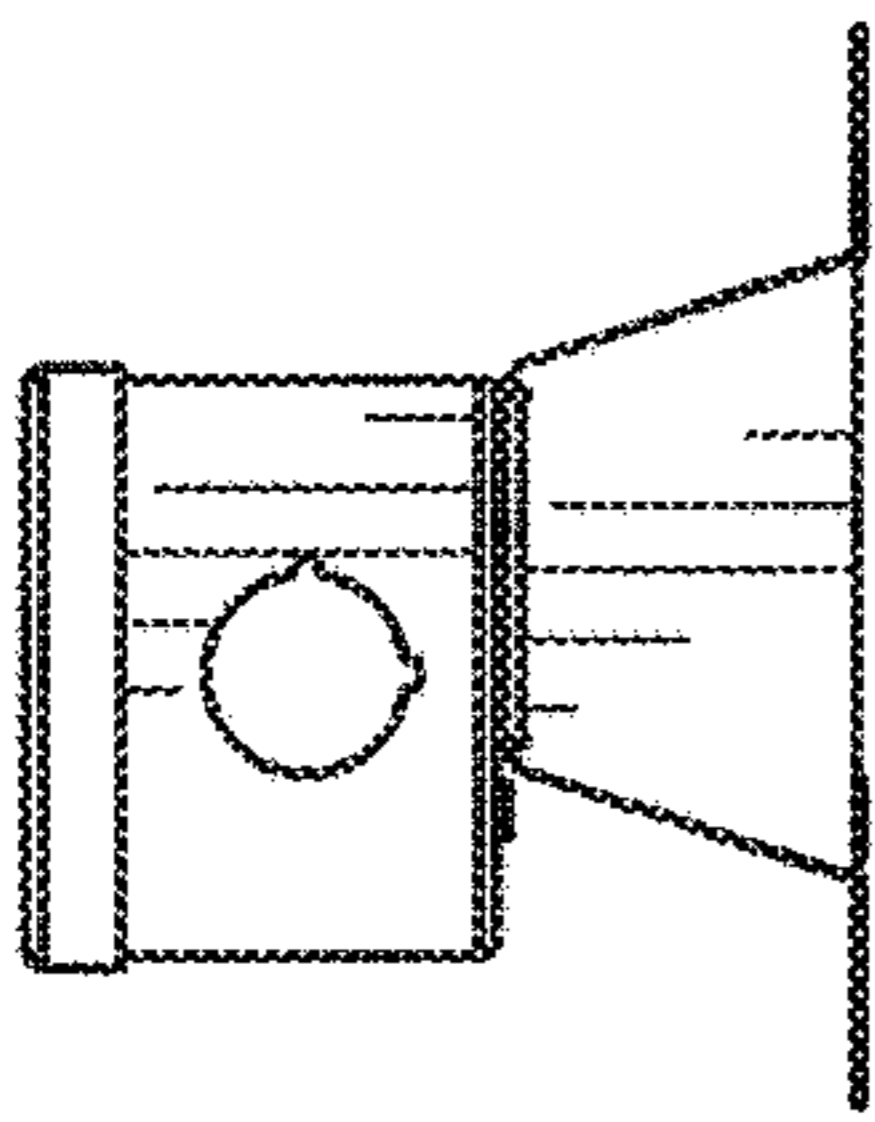


FIG. 5

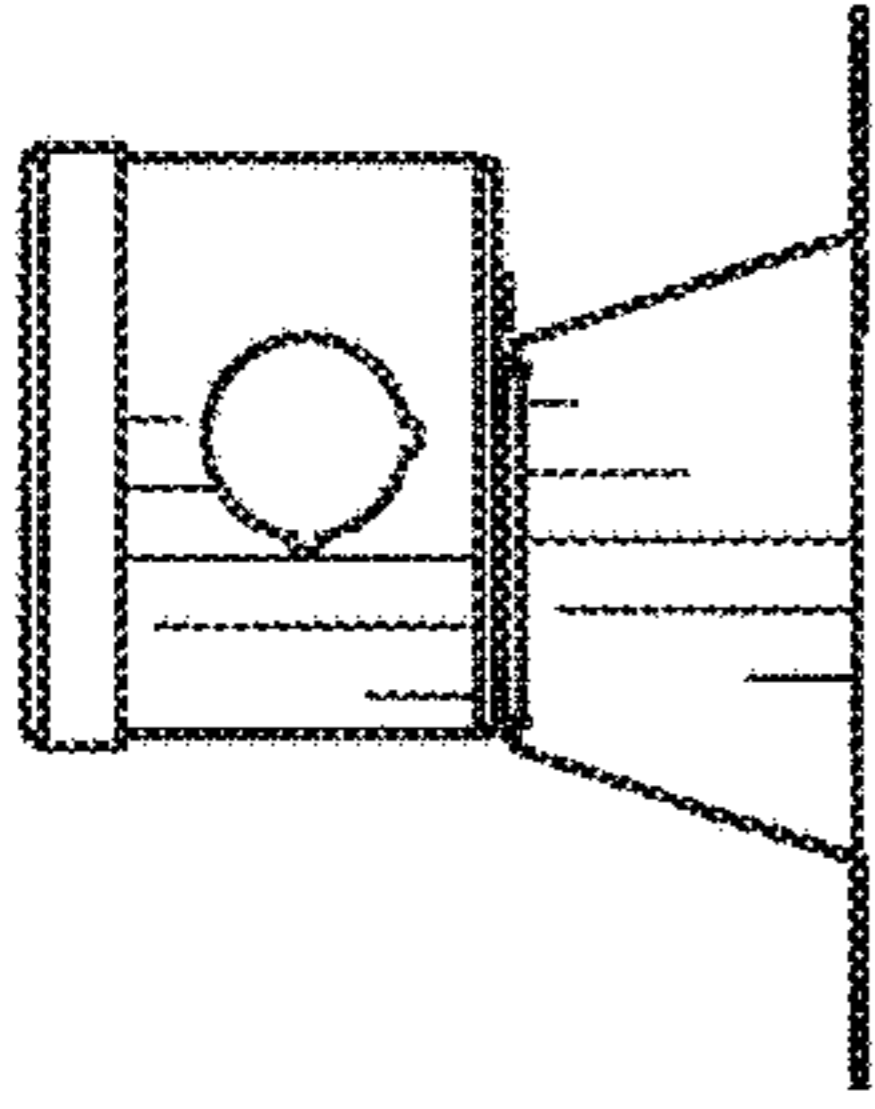


FIG. 6

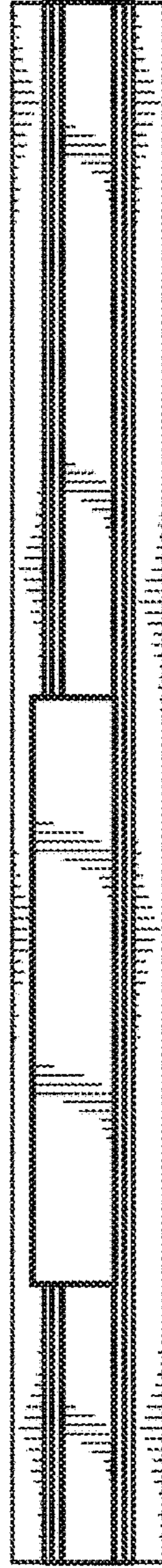


FIG. 7



FIG. 8

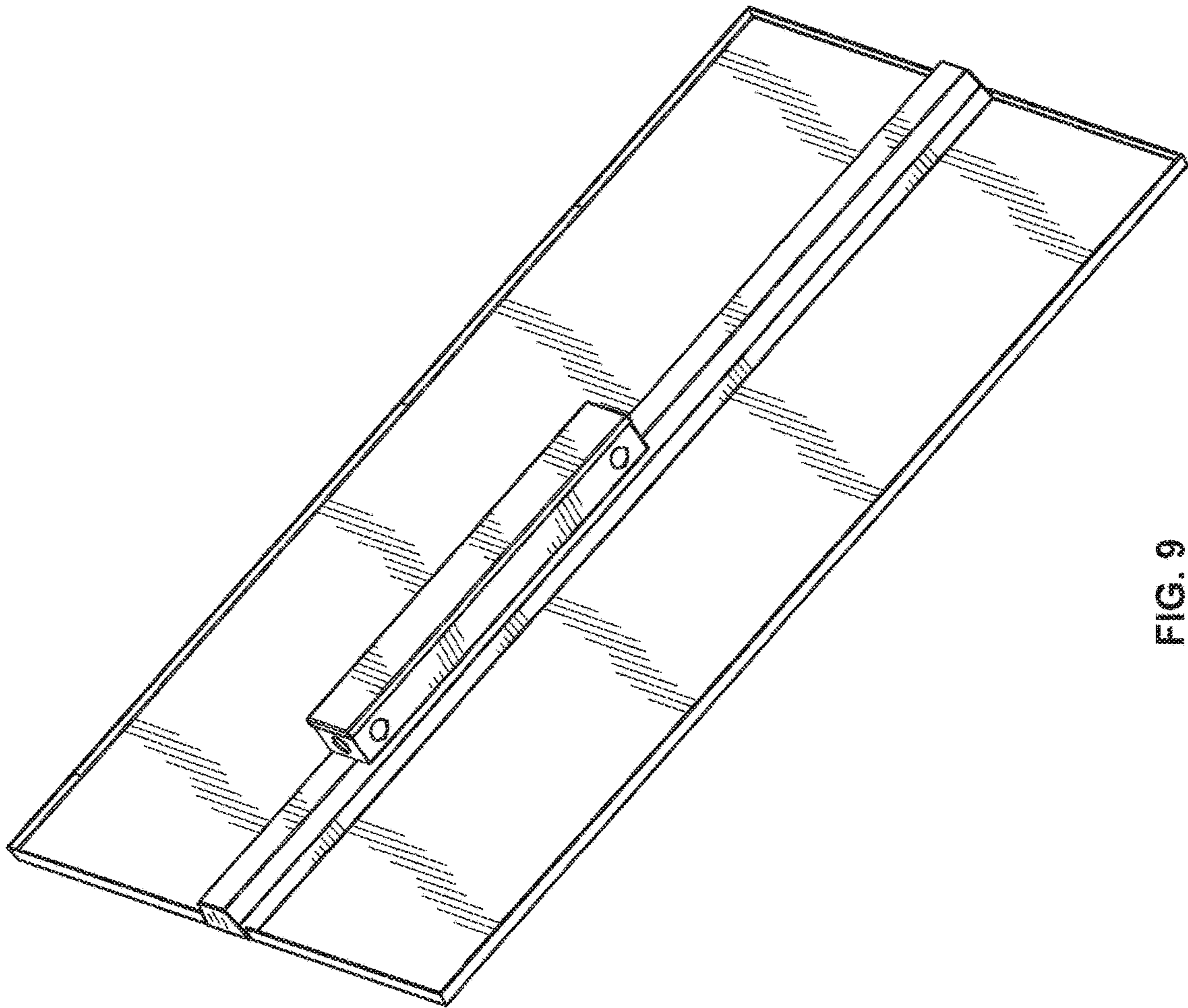


FIG. 9

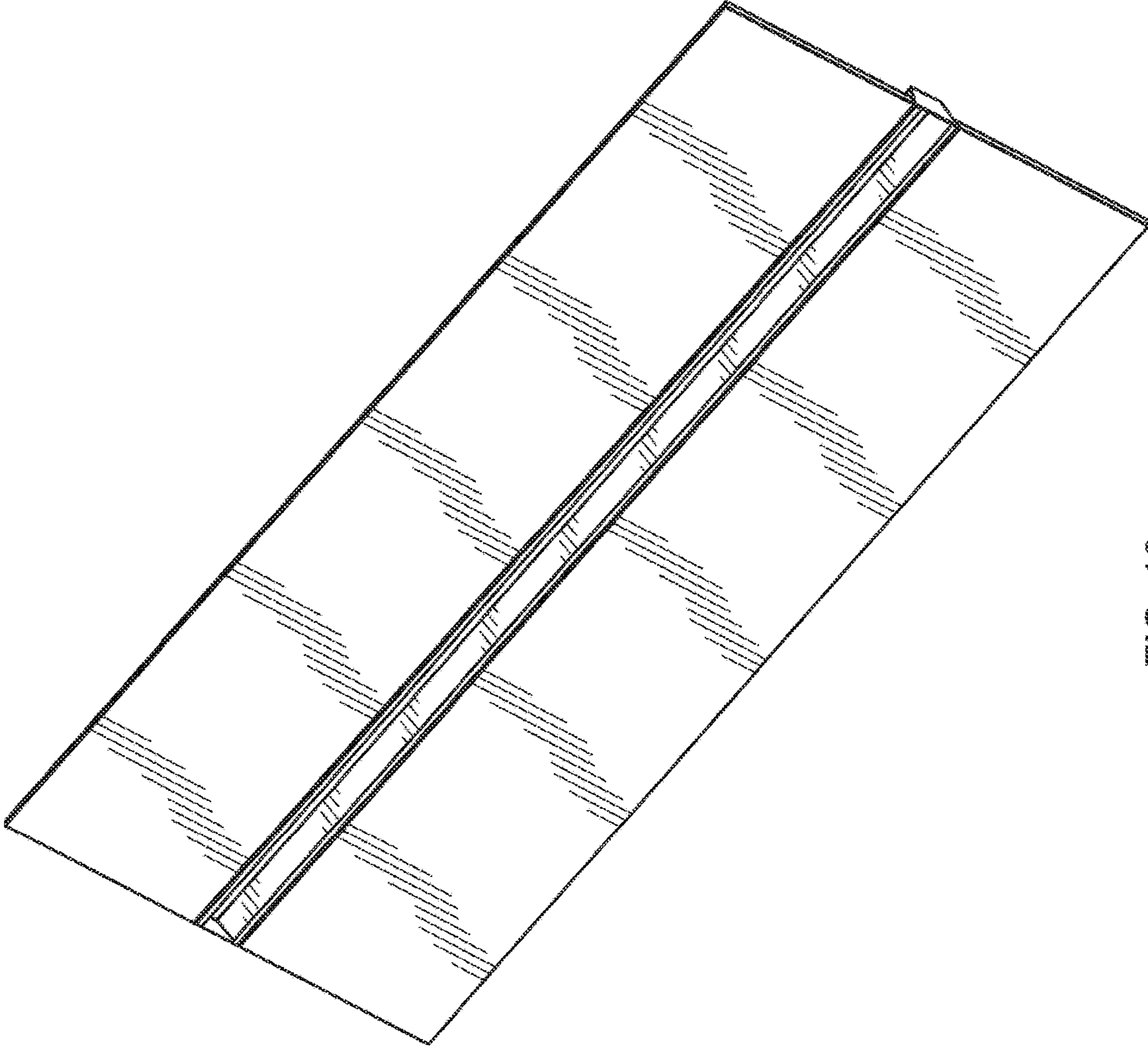


FIG. 10

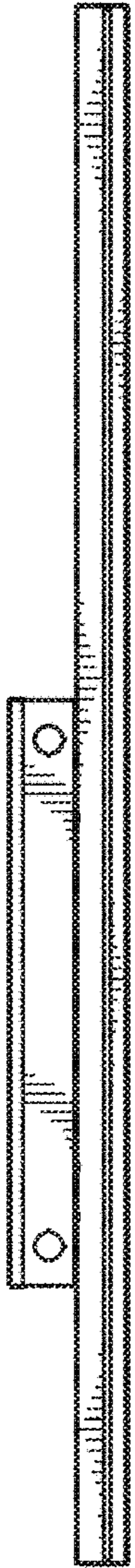


FIG. 11

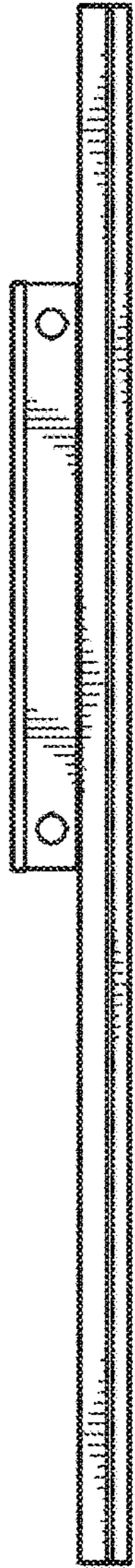


FIG. 12

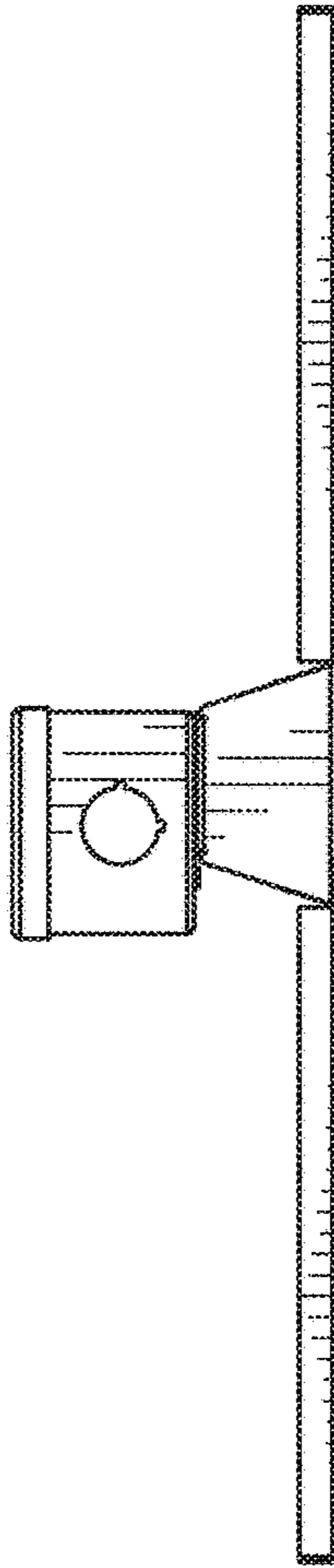


FIG. 13

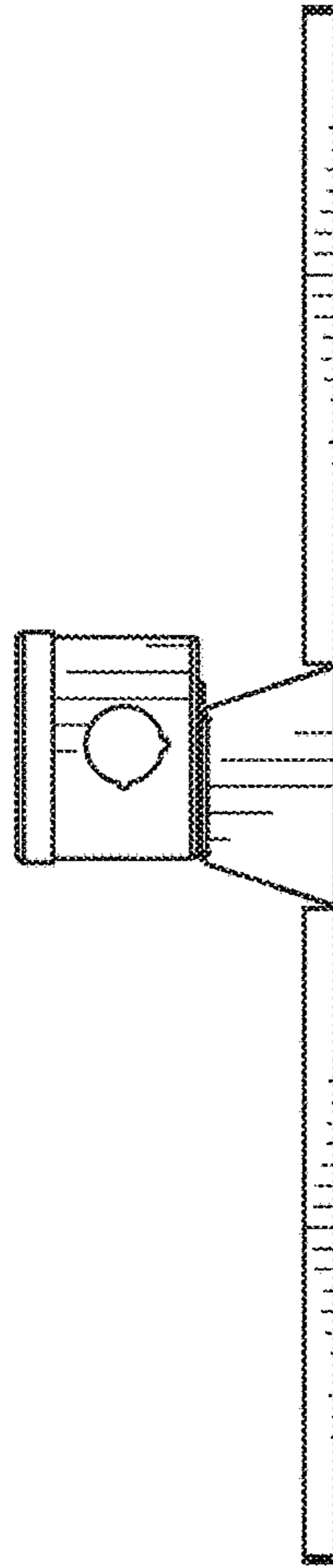


FIG. 14

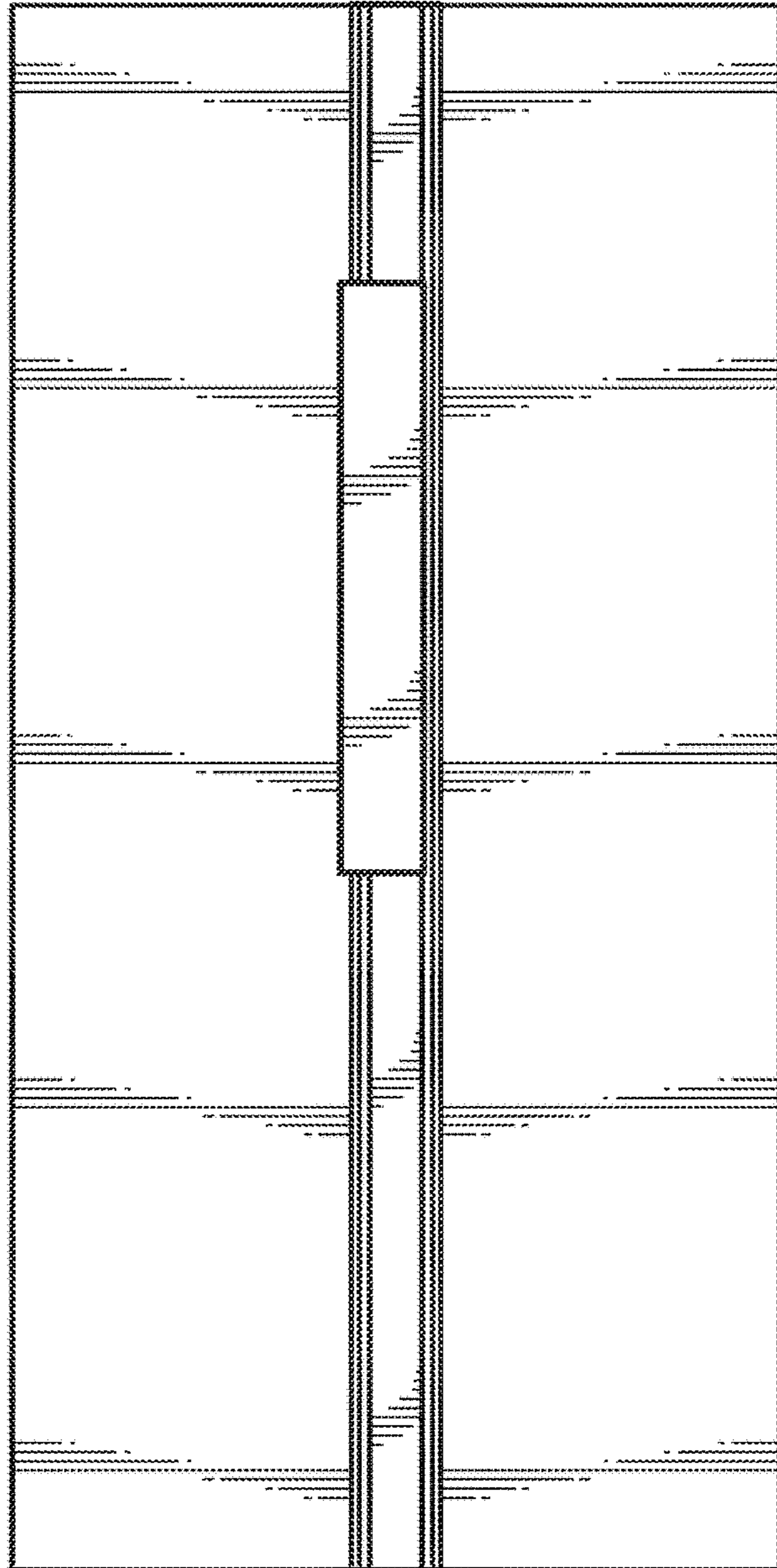


FIG. 15

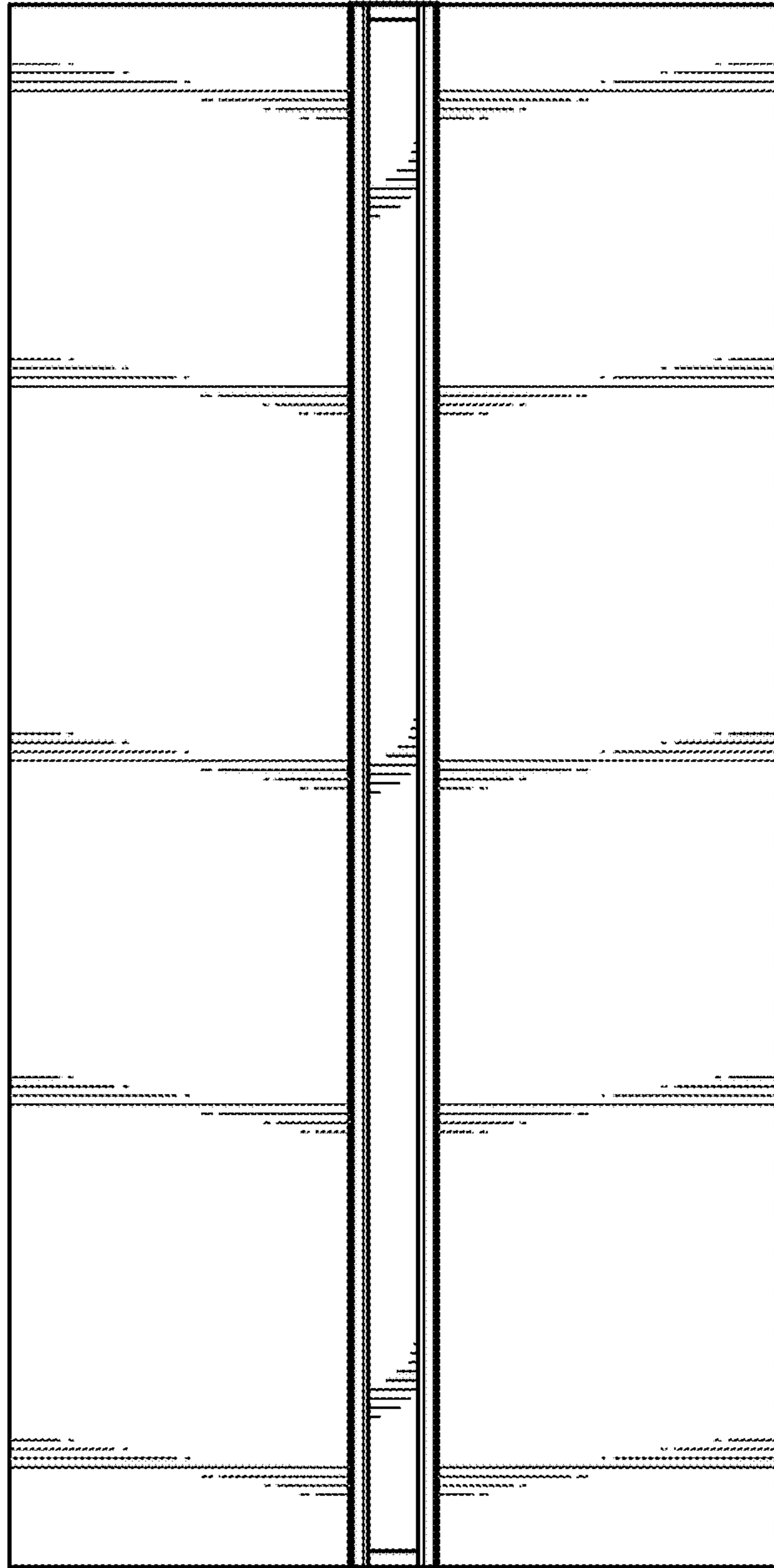


FIG. 16

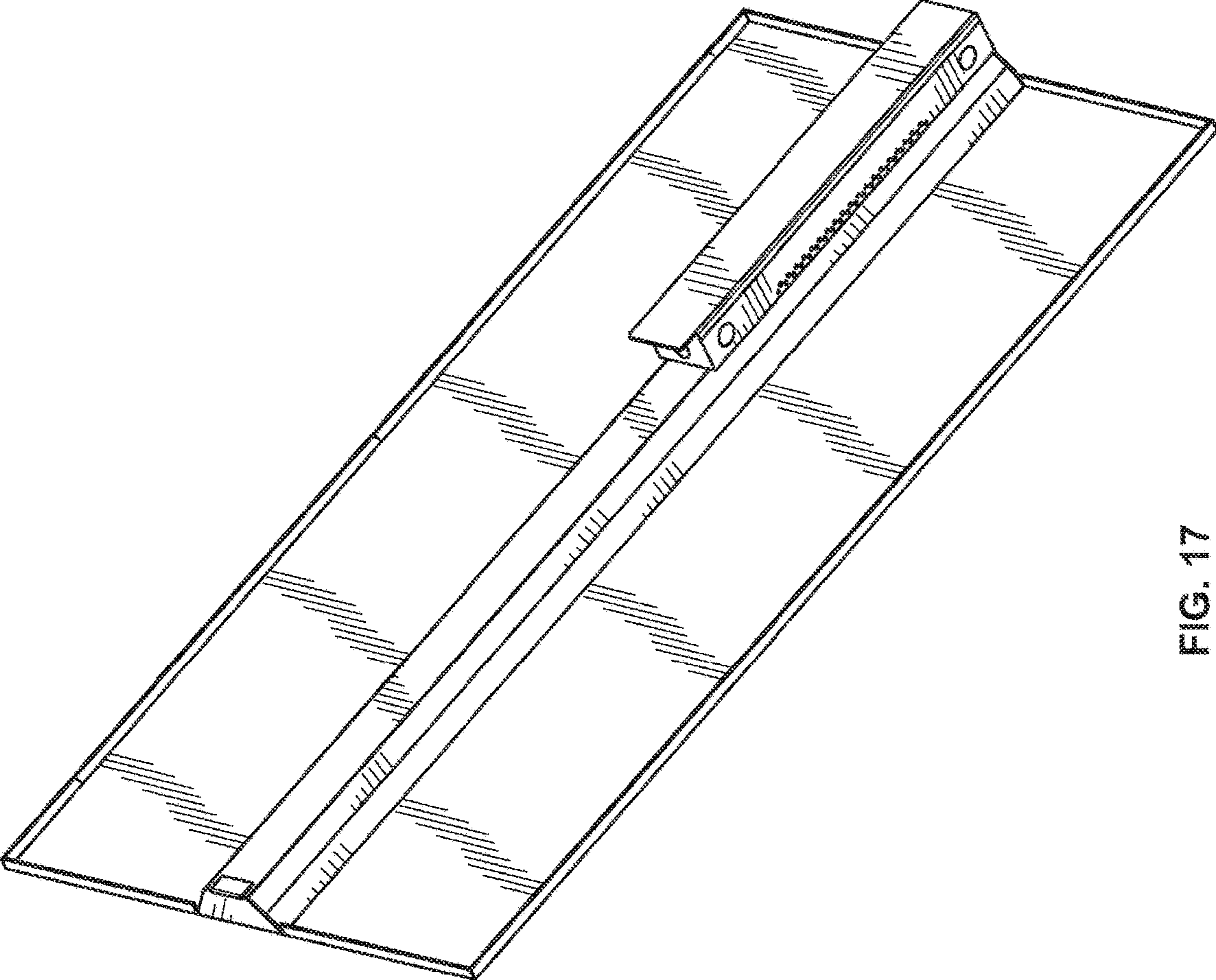


FIG. 17

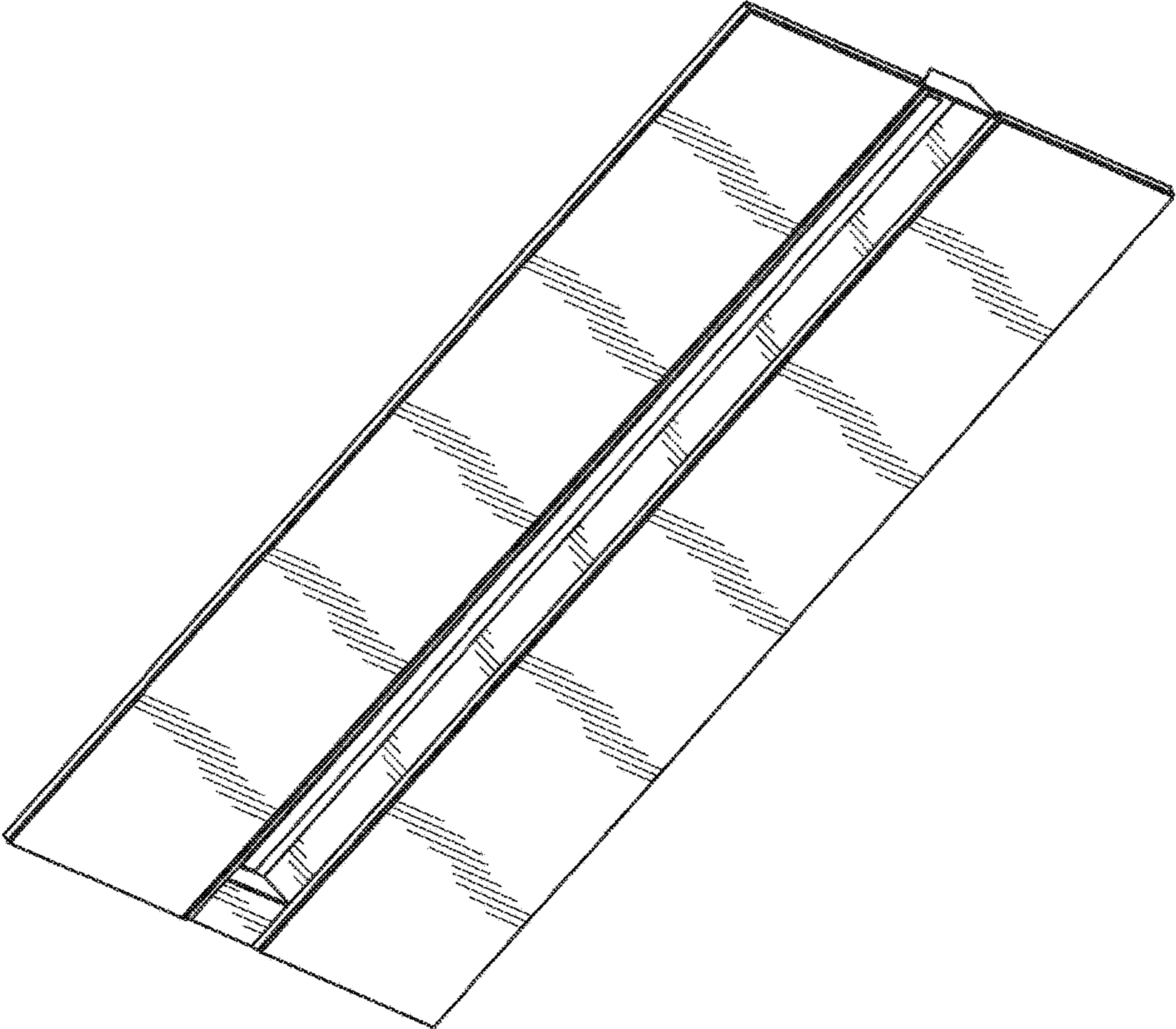


FIG. 18

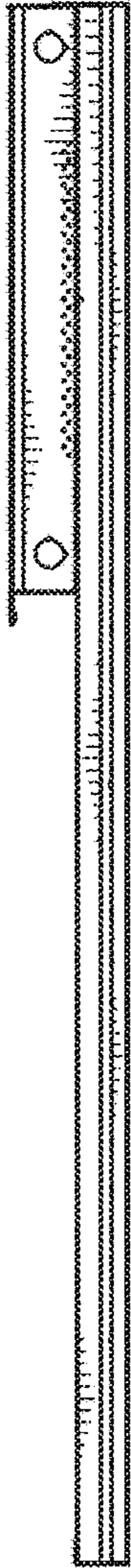


FIG. 19

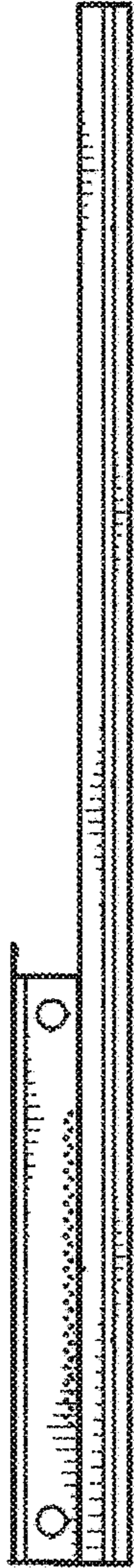


FIG. 20

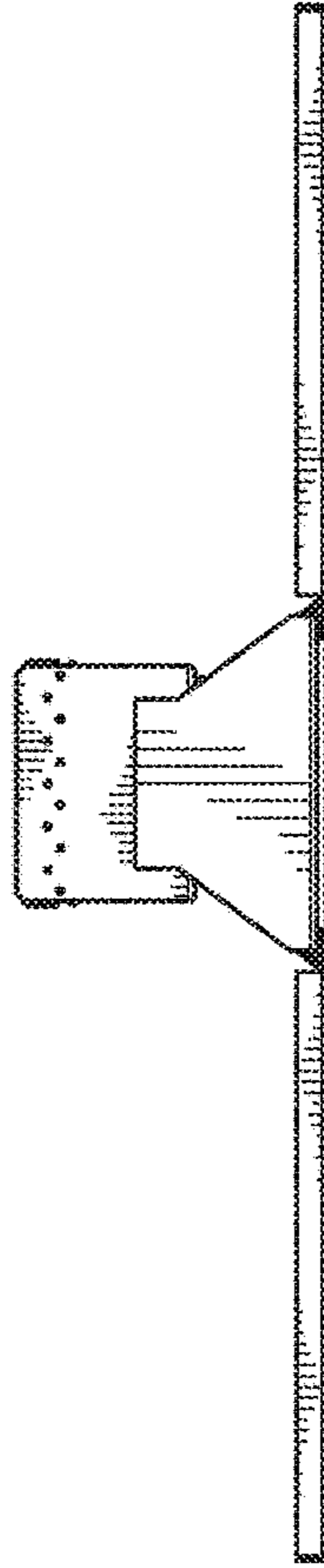


FIG. 21

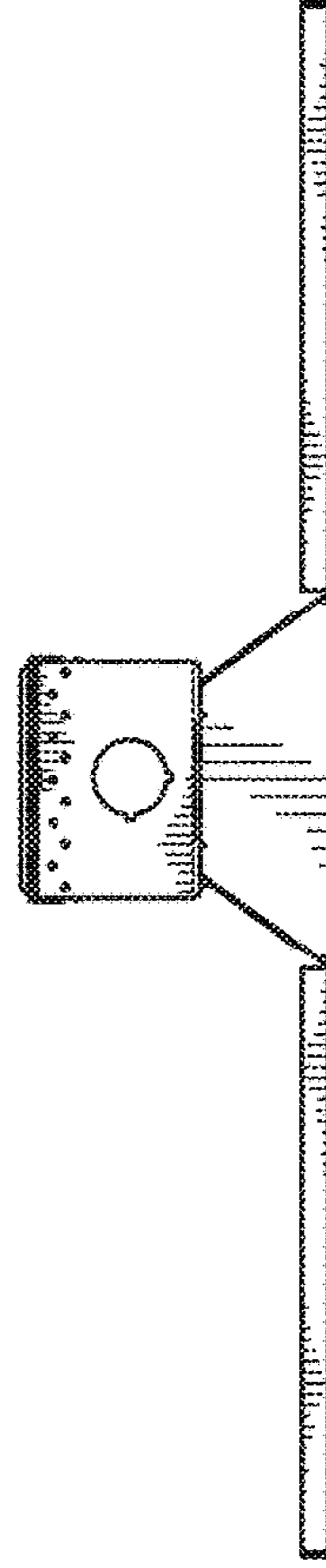


FIG. 22

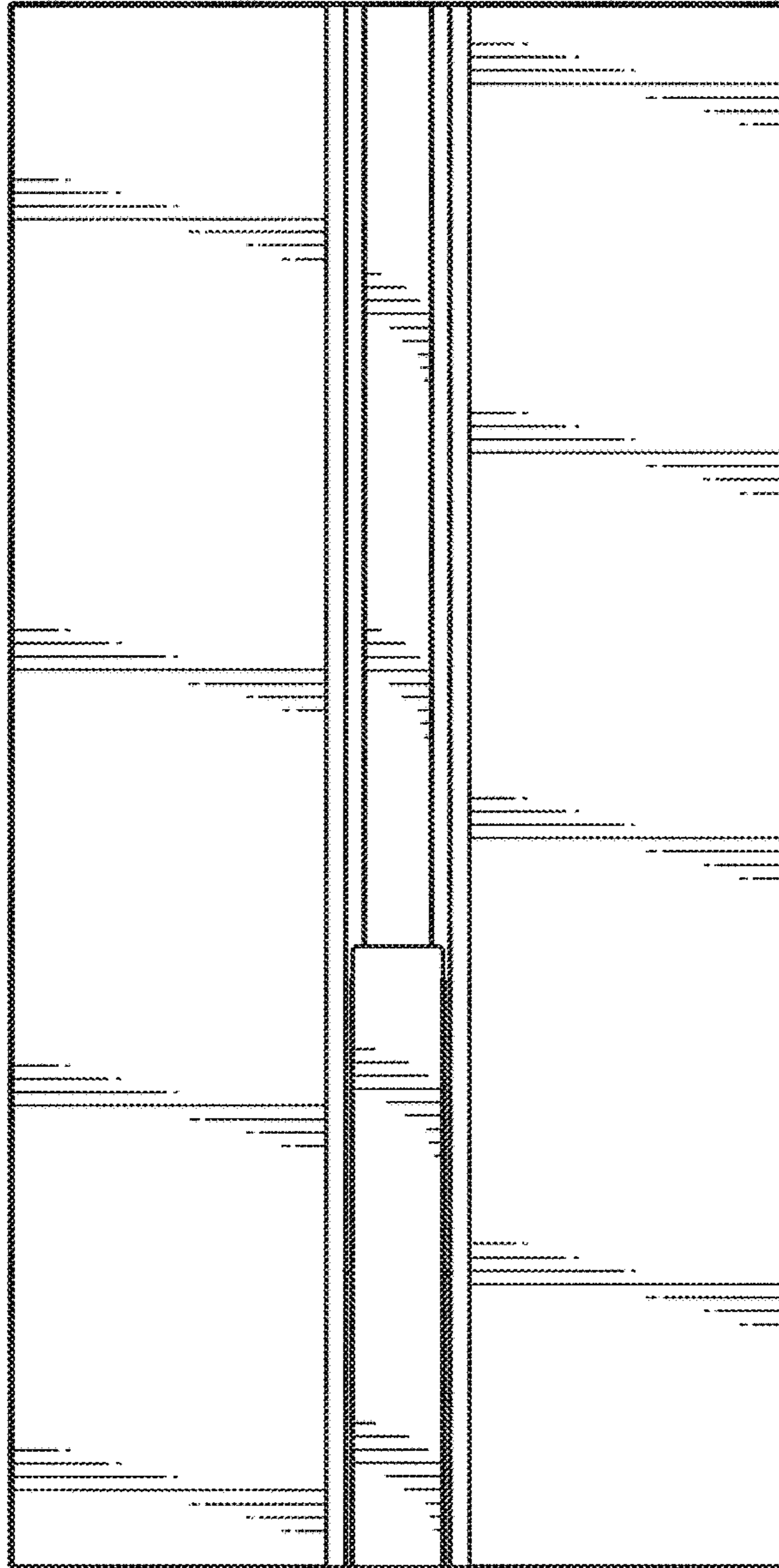


FIG. 23

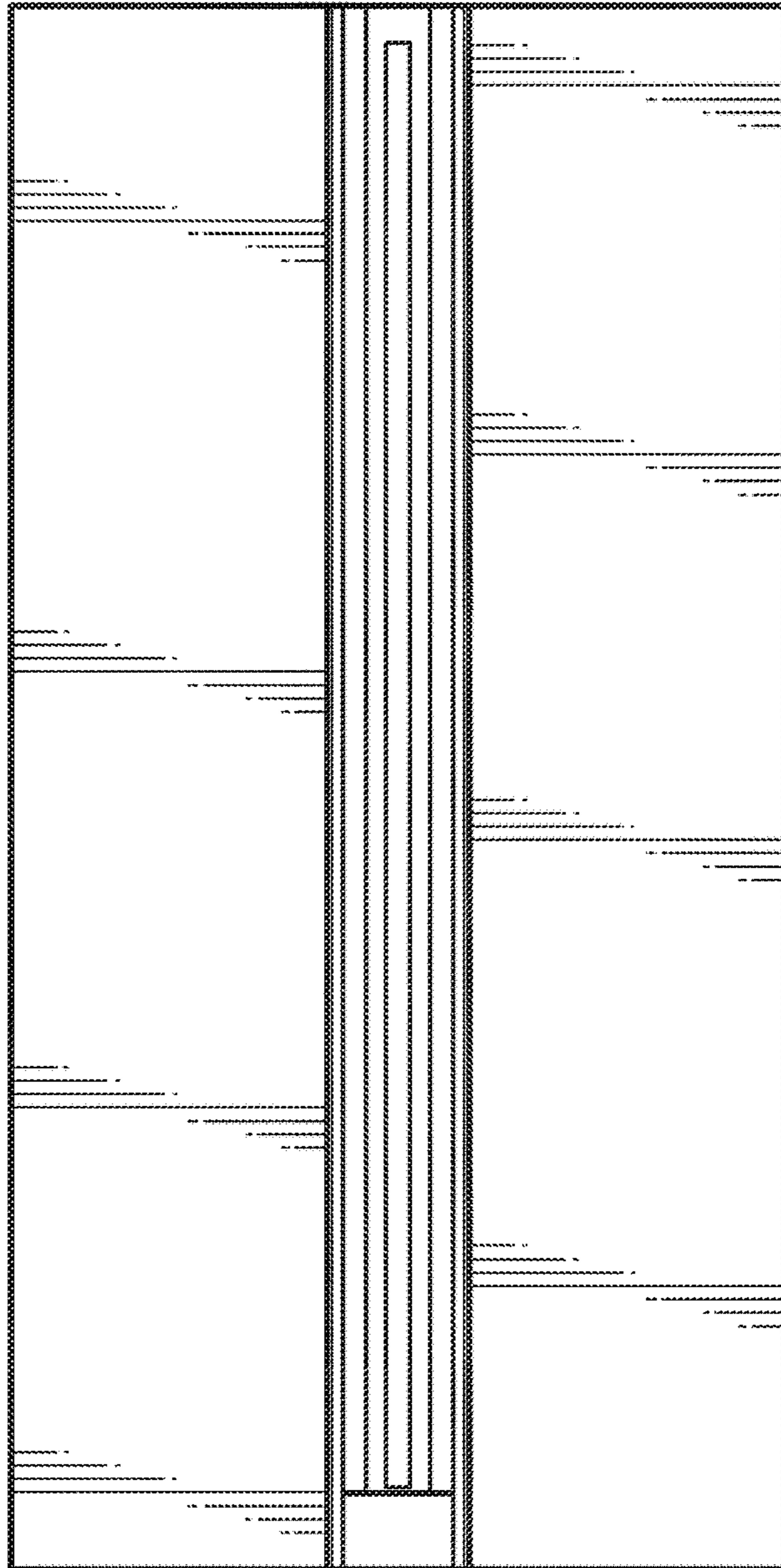


FIG. 24