



US00D855861S

(12) **United States Design Patent**
Perrone

(10) **Patent No.:** **US D855,861 S**

(45) **Date of Patent:** **** Aug. 6, 2019**

(54) **LIGHT EMITTING DIODE FASCIA, GIMBAL AND LENS**

(71) Applicant: **OVID LIGHTING INNOVATIONS INC., North York (CA)**

(72) Inventor: **Aldo Perrone, Kleinburg (CA)**

(73) Assignee: **OVID LIGHTING INNOVATIONS INC., North York (CA)**

(**) Term: **15 Years**

(21) Appl. No.: **29/634,359**

(22) Filed: **Jan. 20, 2018**

(51) **LOC (12) Cl.** **26-05**

(52) **U.S. Cl.**

USPC **D26/74**

(58) **Field of Classification Search**

USPC D26/74, 72, 75, 76, 77, 78, 85, 88, 89, D26/118, 138, 141; 362/364, 365, 373, 362/145, 146, 147, 148, 150, 153, 153.1, 362/294, 296.01, 296, 296.08

CPC F21V 29/2262; F21V 7/06; F21V 21/044; F21V 21/047; F21V 29/2212; F21V 29/2225; F21V 29/2256; F21V 29/225; F21V 29/2268; F21Y 2111/002; F21S 8/02; F21S 8/026

See application file for complete search history.

(56) **References Cited**

U.S. PATENT DOCUMENTS

D399,590 S *	10/1998	Lecluze	D26/118
D488,583 S *	4/2004	Benghozi	D26/118
D548,391 S *	8/2007	Lecluze	D26/138
D581,081 S *	11/2008	Mier-Langner	D26/72
D609,840 S *	2/2010	Tang	D26/74
D622,434 S *	8/2010	Ward	F21S 8/026
			D26/74

D639,993 S * 6/2011 Mier-Langner F21S 8/02 D26/74

D671,668 S * 11/2012 Rowlette, Jr. D26/74

D786,473 S * 5/2017 Dean D26/74

D809,698 S * 2/2018 Benghozi D26/74

D824,074 S * 7/2018 Vidal D26/74

(Continued)

Primary Examiner — Angela J Lee

(74) *Attorney, Agent, or Firm* — Holbeche Law; Kevin Edward Holbeche

(57) **CLAIM**

I claim the ornamental design for a light emitting diode fascia, gimbal and lens, as shown and described.

DESCRIPTION

FIG. 1 is a bottom, left perspective view of a light emitting diode fascia, gimbal and lens embodying my design;

FIG. 2 is a top, right perspective view of the light emitting diode fascia, gimbal and lens of FIG. 1;

FIG. 3 is a bottom plan view of the light emitting diode fascia, gimbal and lens of FIG. 1;

FIG. 4 is a top plan view of the light emitting diode fascia, gimbal and lens of FIG. 1;

FIG. 5 is a left side elevational view of the light emitting diode fascia, gimbal and lens of FIG. 1;

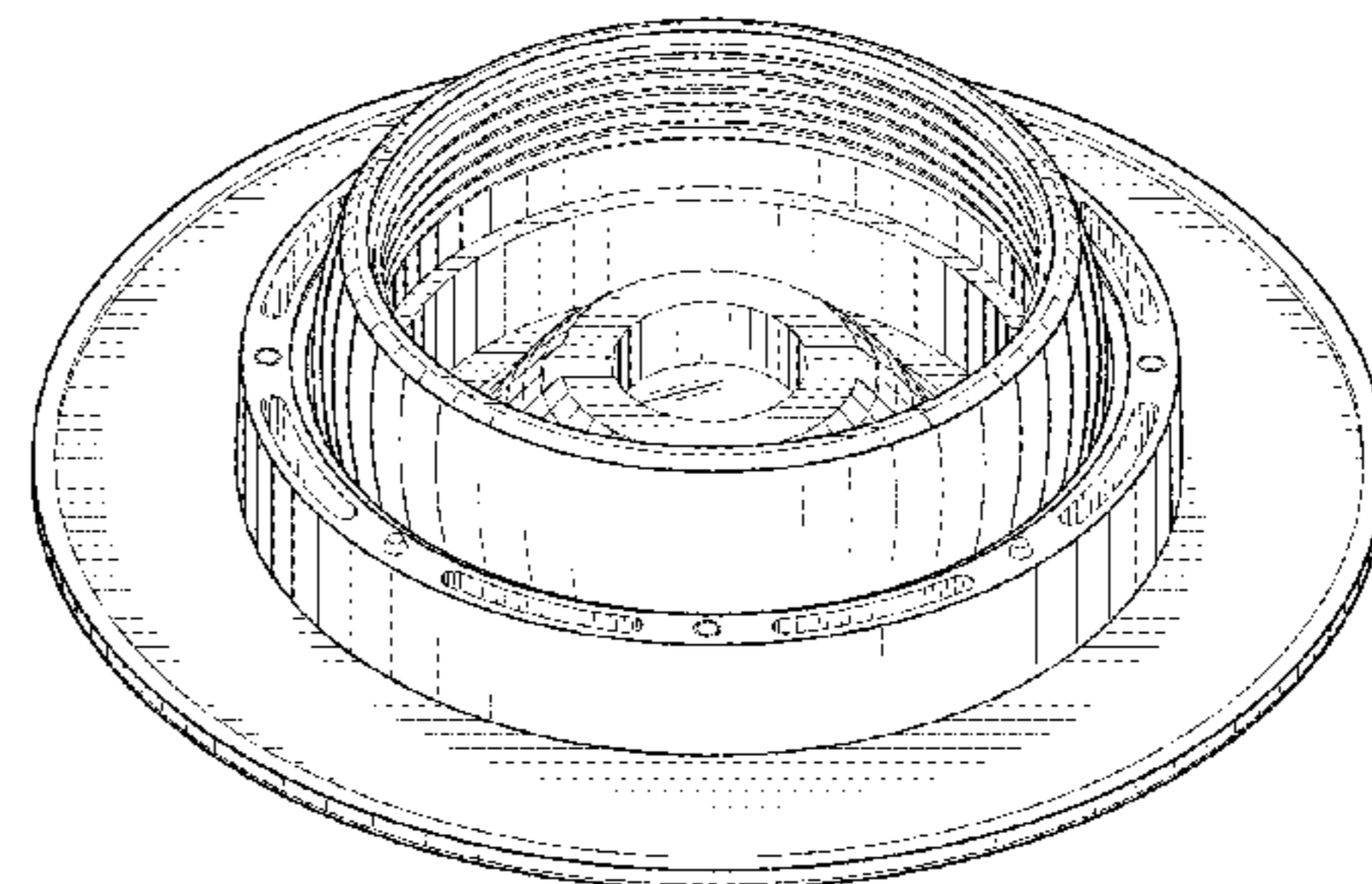
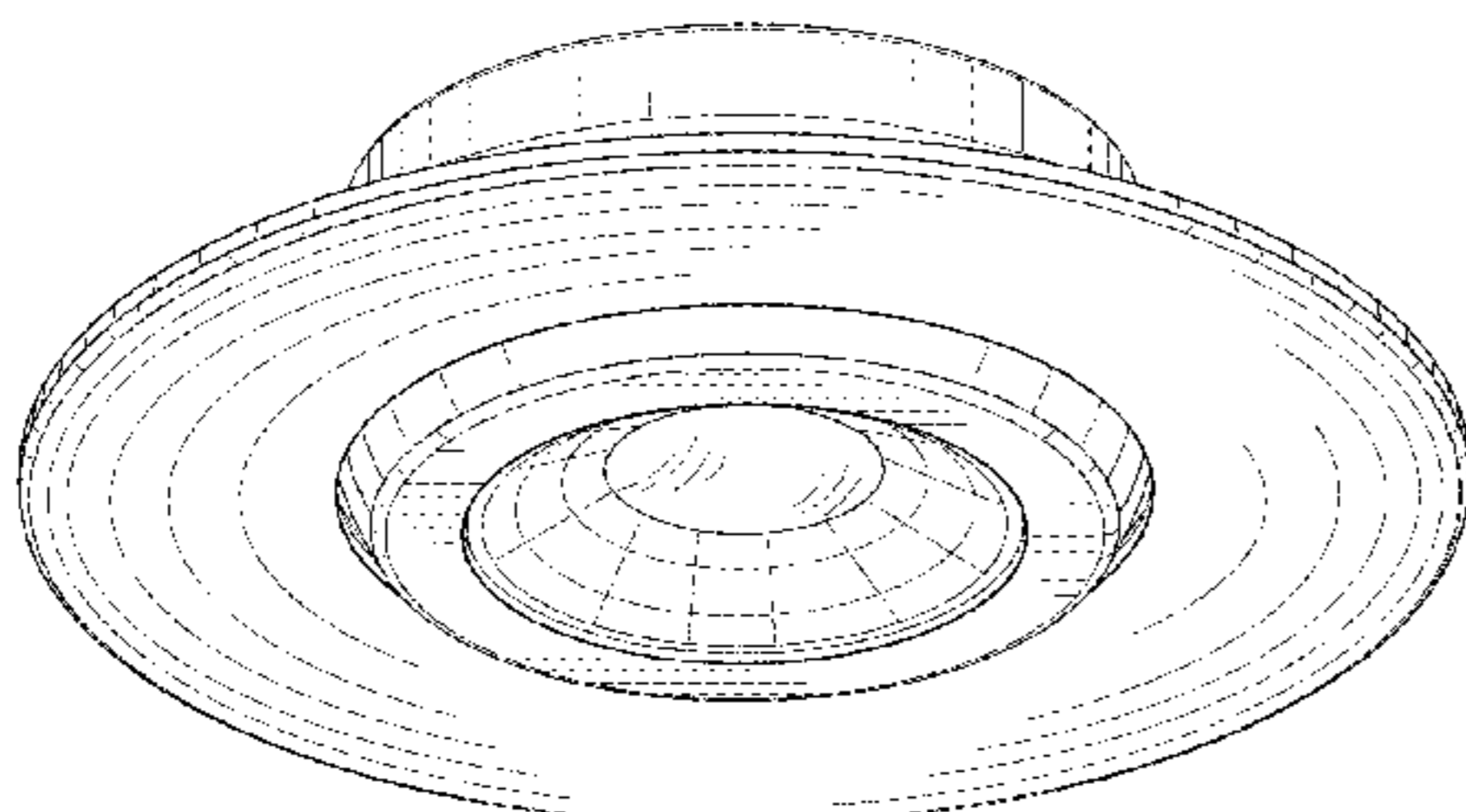
FIG. 6 is a right side elevational view of the light emitting diode fascia, gimbal and lens of FIG. 1;

FIG. 7 is a bottom, left perspective view of the light emitting diode fascia, gimbal and lens of FIG. 1, with light emitting diode components shown in phantom outline for environmental purposes and not forming any part of the claimed design; and,

FIG. 8 is a bottom, left perspective view of the light emitting diode fascia, gimbal and lens of FIG. 1 with the gimbal in a pivoted position.

Features of the drawings shown in phantom outline are shown for environmental purposes and do not form any part of the claimed design.

1 Claim, 5 Drawing Sheets



(56)

References Cited

U.S. PATENT DOCUMENTS

D827,902 S * 9/2018 McGrayne D26/74
D828,944 S * 9/2018 Xie D26/74

* cited by examiner

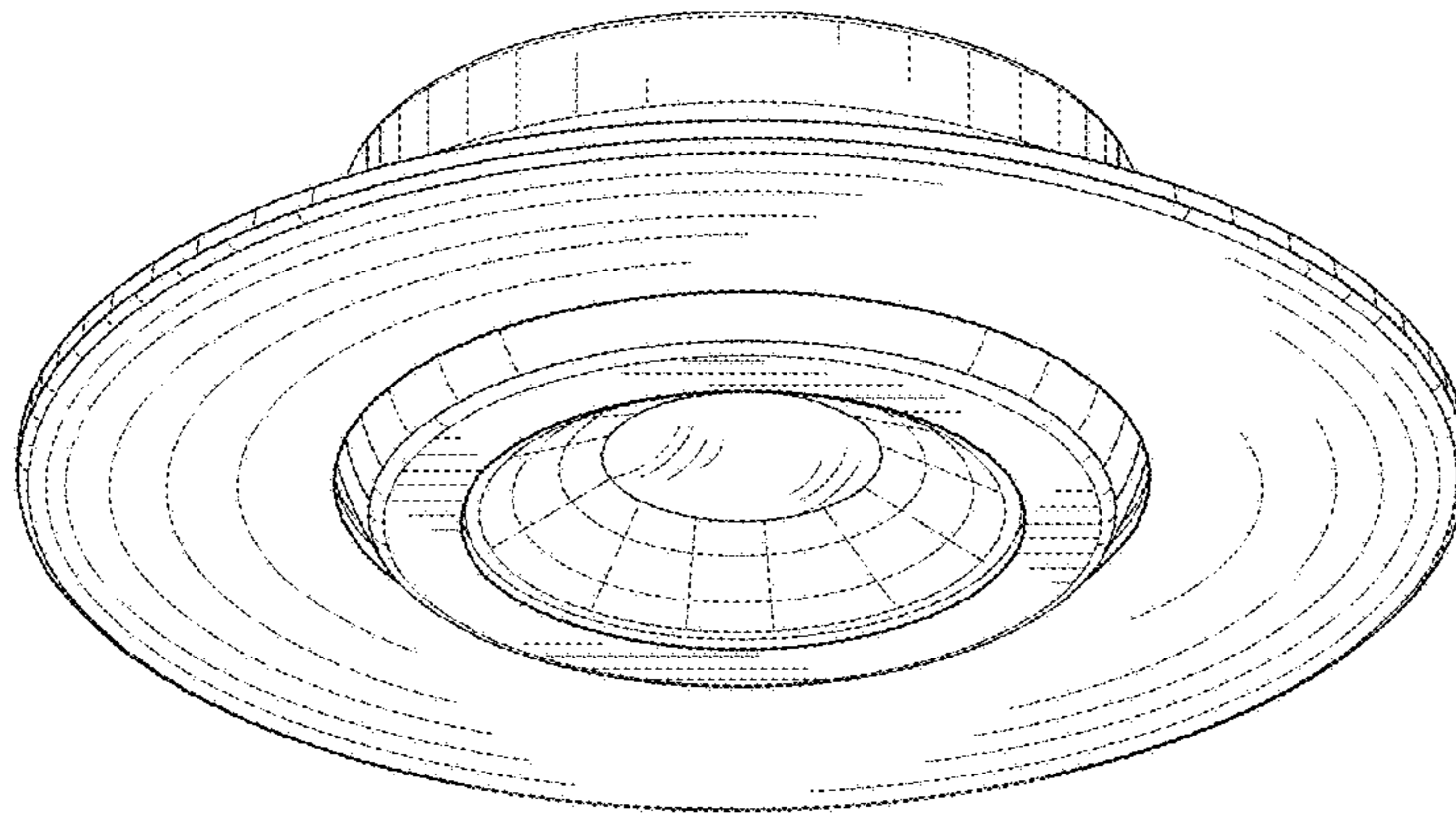


FIG.1

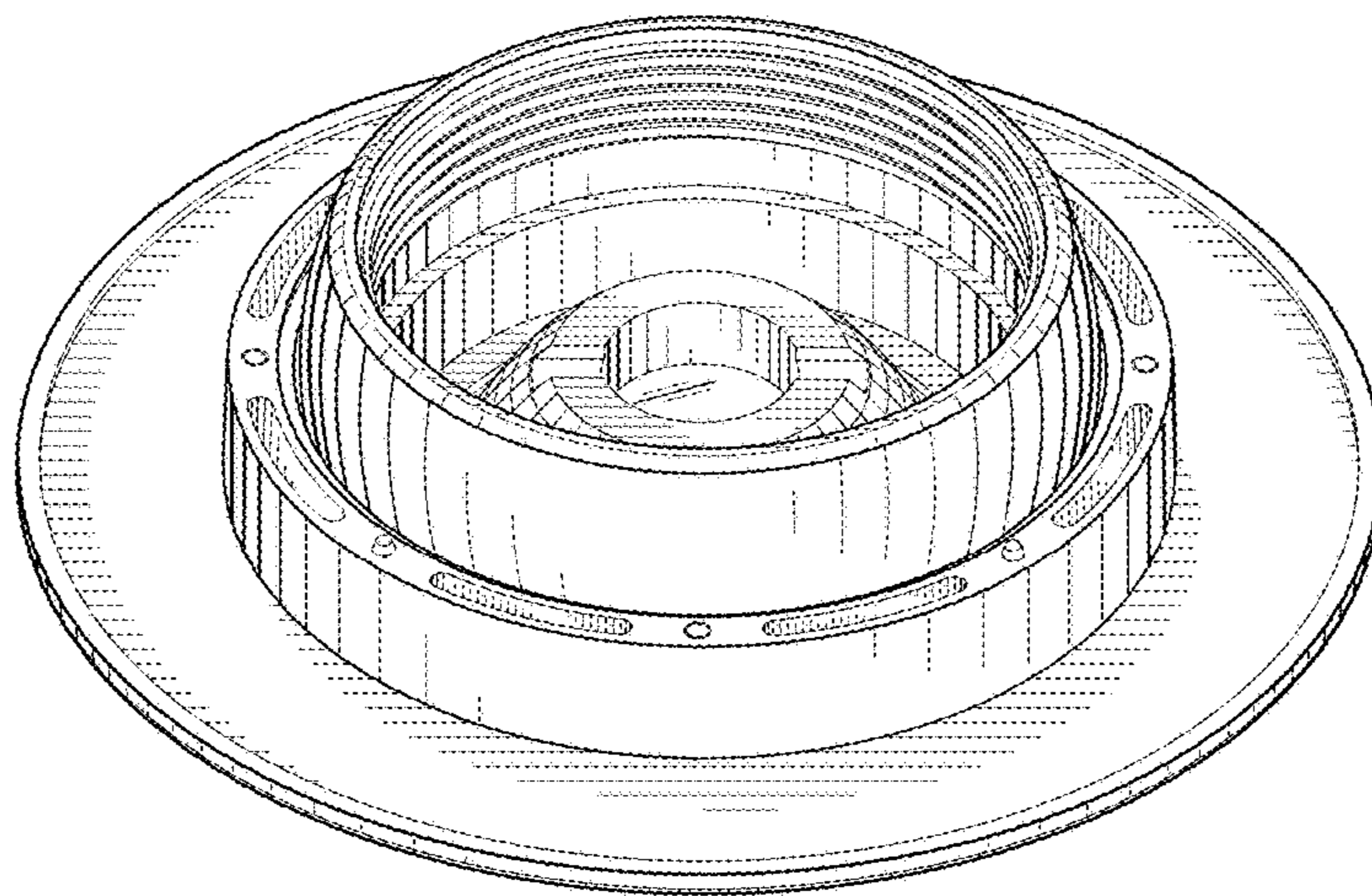


FIG.2

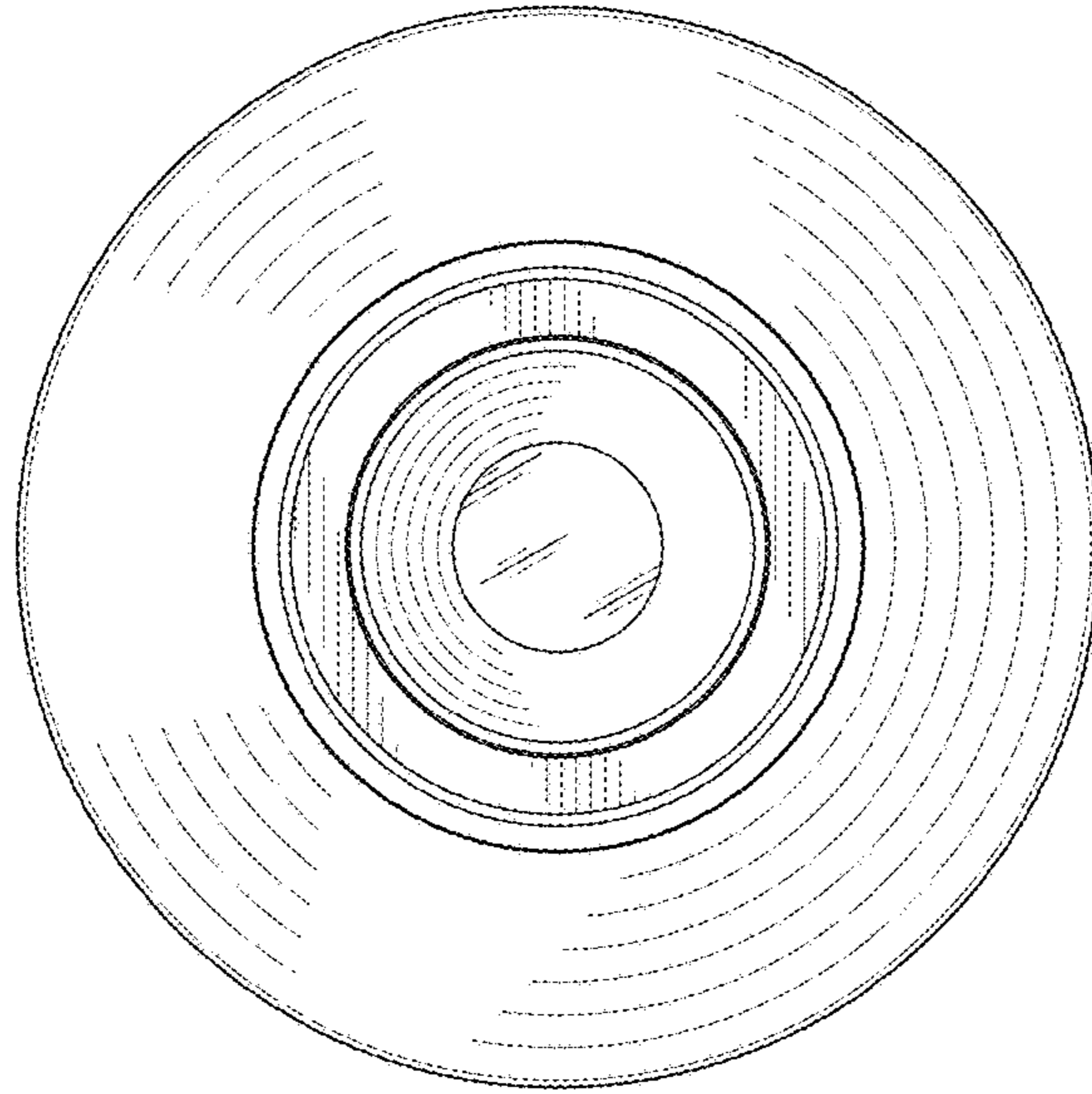


FIG.3

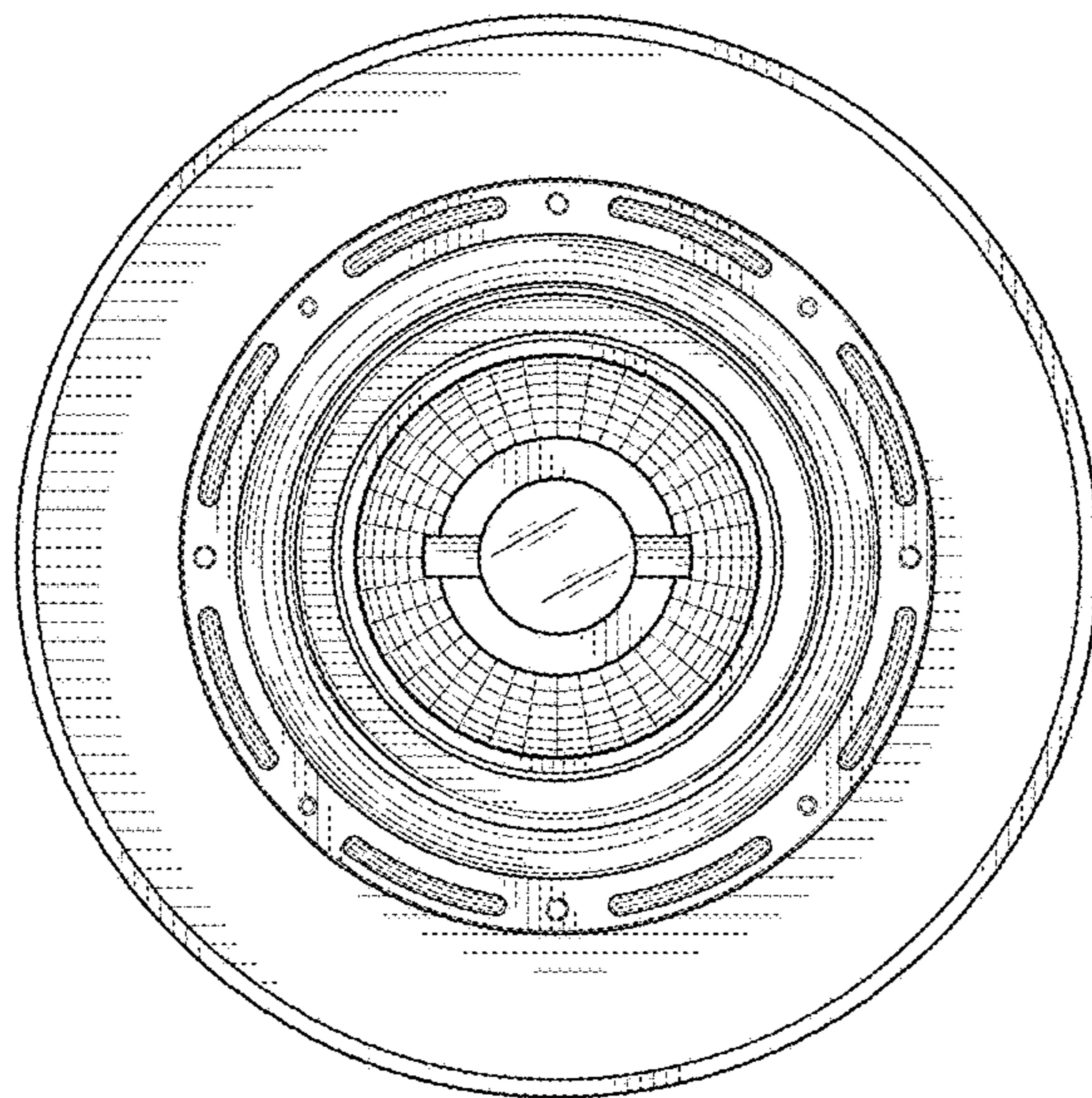


FIG.4

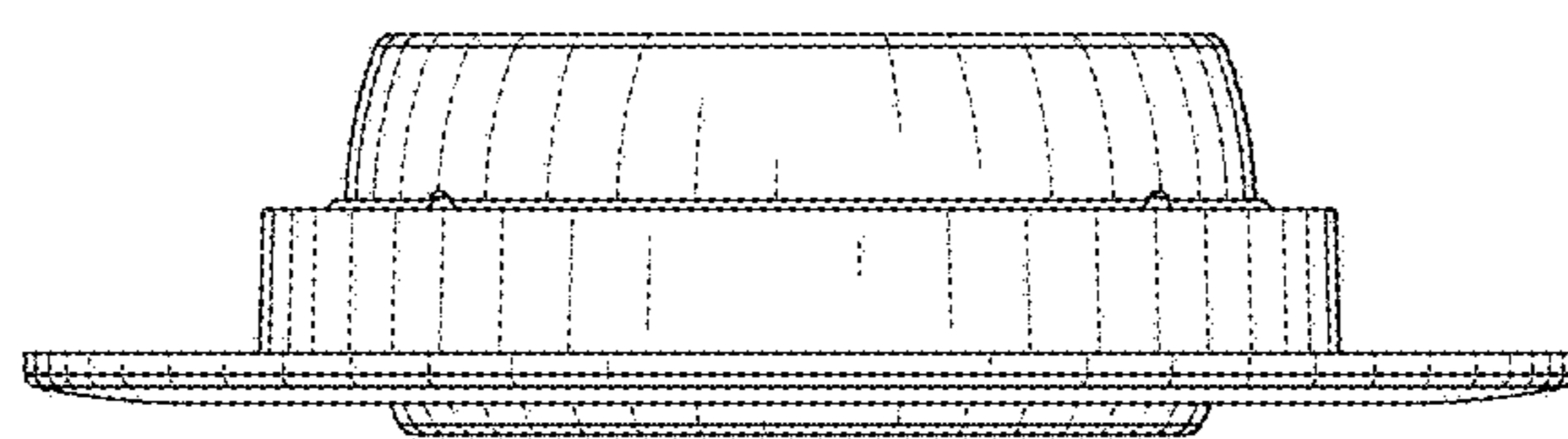


FIG. 5

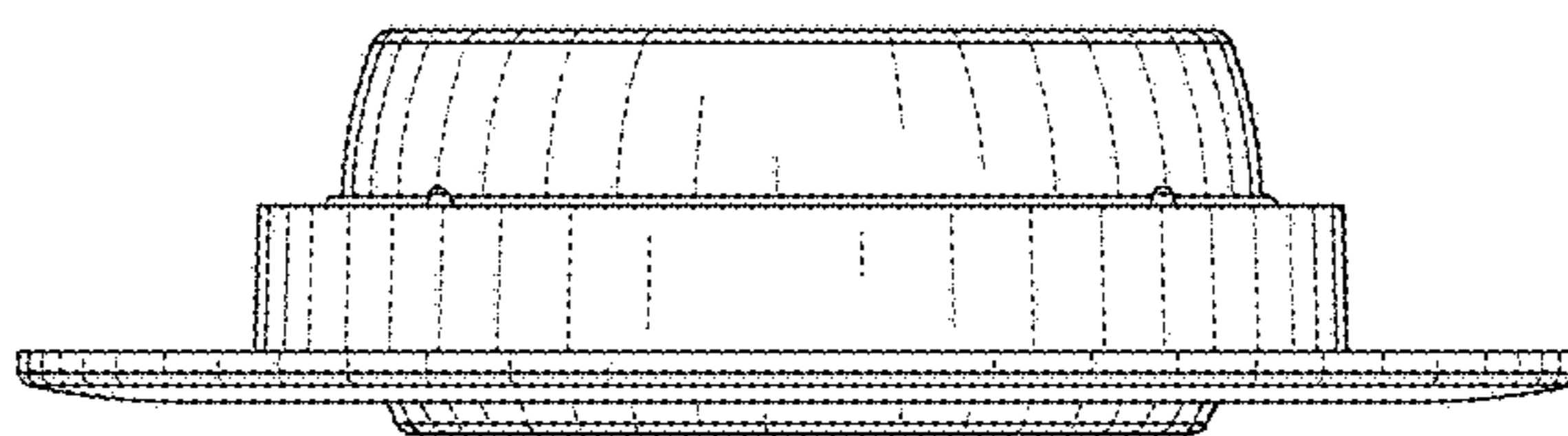


FIG. 6

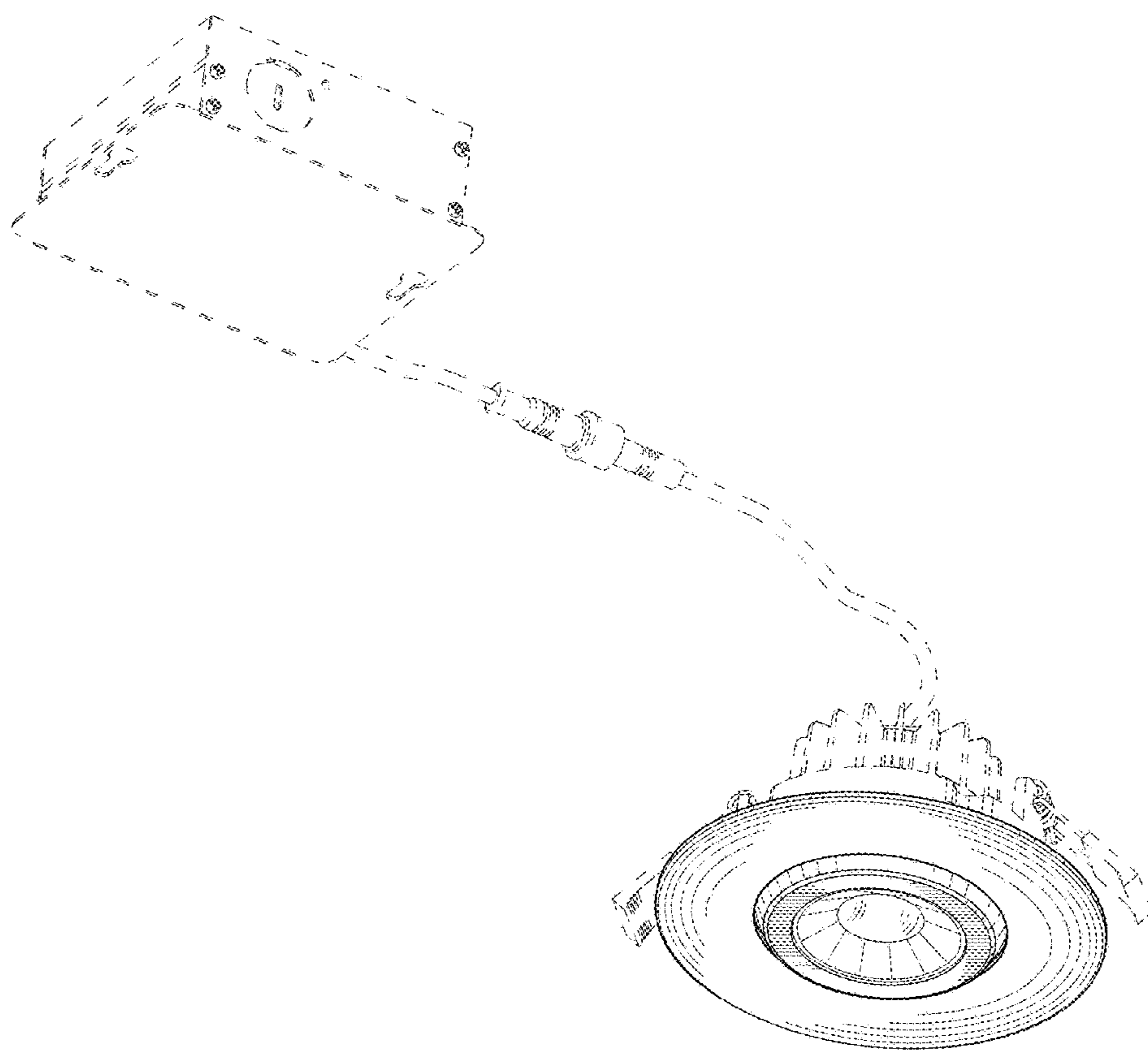


FIG.7

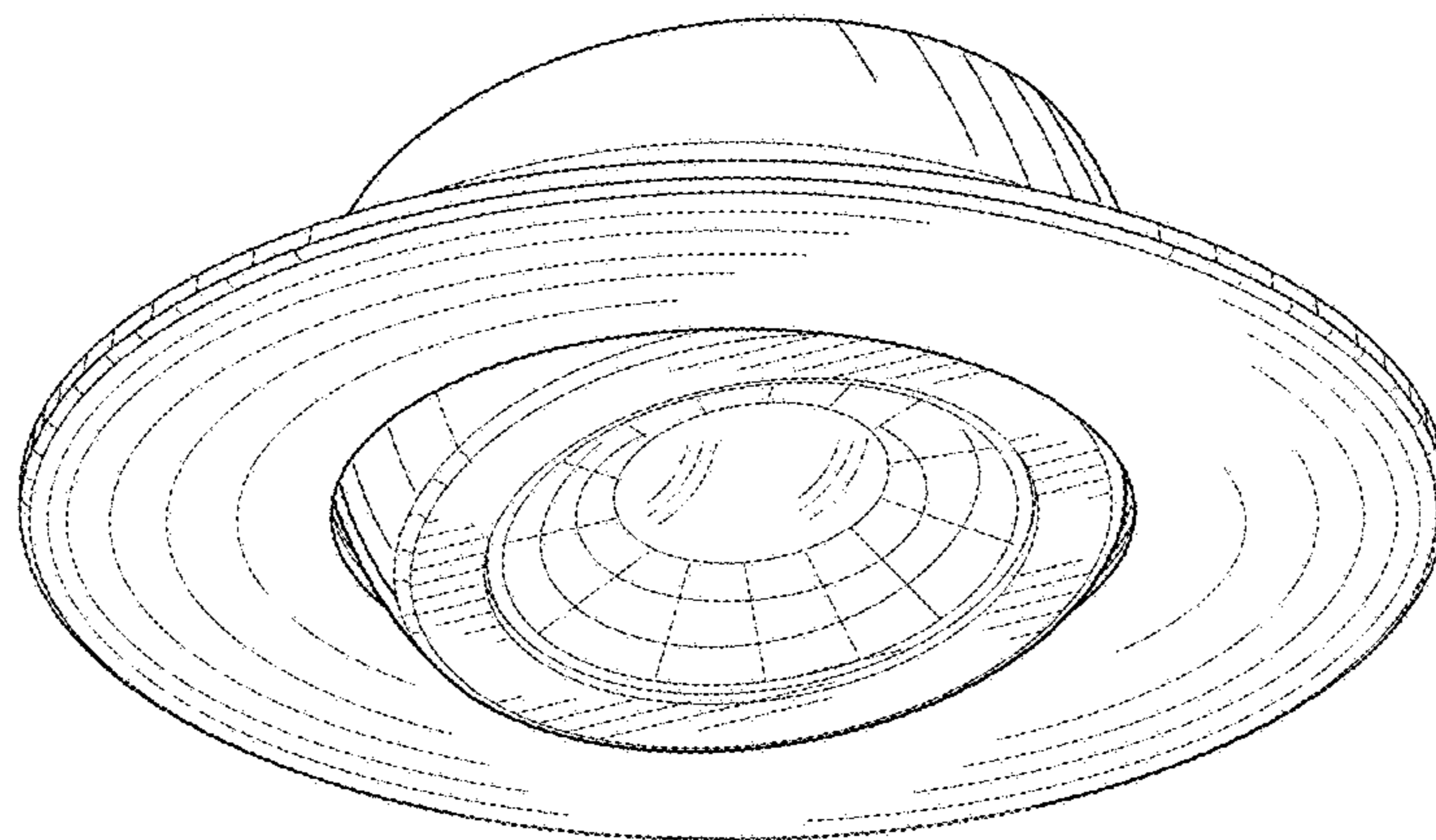


FIG.8