



US00D855860S

(12) **United States Design Patent**
Peng

(10) **Patent No.:** **US D855,860 S**

(45) **Date of Patent:** **** Aug. 6, 2019**

(54) **LAMP**

(71) Applicant: **Xiao-Ping Peng**, Guangzhou (CN)

(72) Inventor: **Xiao-Ping Peng**, Guangzhou (CN)

(73) Assignee: **GUANGZHOU OVOVS INDUSTRIAL LIGHTING CO., LTD.**, Guangdong (CN)

(**) Term: **15 Years**

(21) Appl. No.: **29/624,556**

(22) Filed: **Nov. 2, 2017**

(51) **LOC (12) Cl.** **26-05**

(52) **U.S. Cl.**
USPC **D26/74**

(58) **Field of Classification Search**
USPC D26/28, 29, 30, 31, 32, 33, 34, 35, 36;
362/459-468, 475-478, 485-487
CPC F21S 48/00; F21S 48/10; F21S 48/115;
F21S 48/225; F21S 48/1233; F21S
48/1266; F21S 48/1388; F21S 48/2268;
F21V 21/04

See application file for complete search history.

(56) **References Cited**

U.S. PATENT DOCUMENTS

D601,727 S * 10/2009 Huang D26/28
D690,853 S * 10/2013 Huang D26/28

D739,581 S * 9/2015 Huang D26/28
D747,517 S * 1/2016 Lai D26/28
D760,407 S * 6/2016 Yang D26/28
D766,473 S * 9/2016 Riedel D26/28
D792,993 S * 7/2017 Ko D26/28
D799,082 S * 10/2017 Lai D26/28
D805,225 S * 12/2017 Dennis D26/28
D808,551 S * 1/2018 Chi D26/28

* cited by examiner

Primary Examiner — Angela J Lee

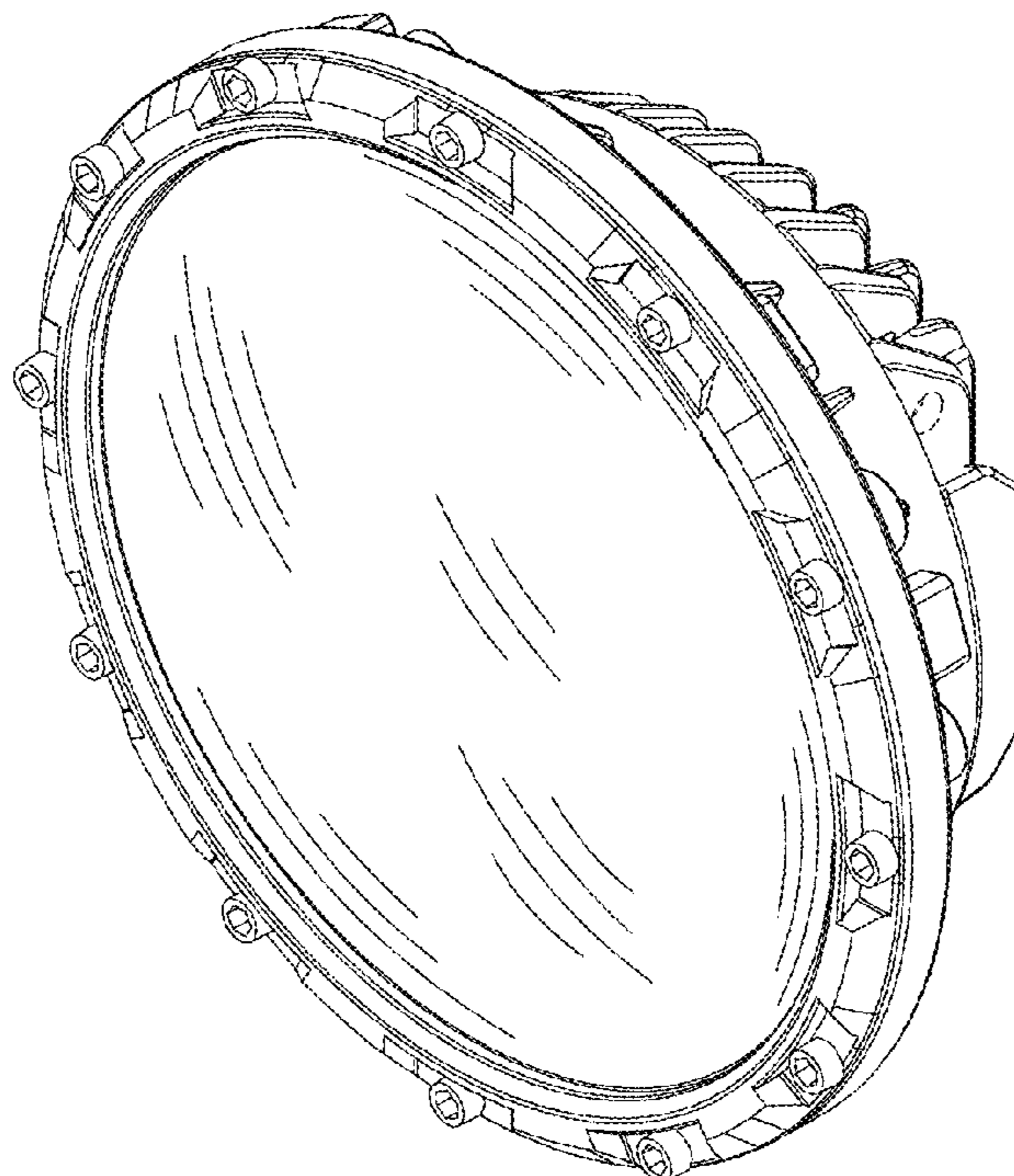
(57) **CLAIM**

The ornamental design for a lamp, as shown and described.

DESCRIPTION

FIG. 1 is a perspective view of a lamp showing my new design, The broken lines in the figures represent portions of the article which form no part of the claim;
FIG. 2 is a front elevational view thereof;
FIG. 3 is a top plan view thereof;
FIG. 4 is a left side elevational view thereof, The broken lines in the figures represent portions of the article which form no part of the claim;
FIG. 5 is a rear elevational view thereof;
FIG. 6 is a right side view thereof, The broken lines in the figures represent portions of the article which form no part of the claim; and,
FIG. 7 is a bottom plan view thereof, The broken lines in the figures represent portions of the article which form no part of the claim.

1 Claim, 7 Drawing Sheets



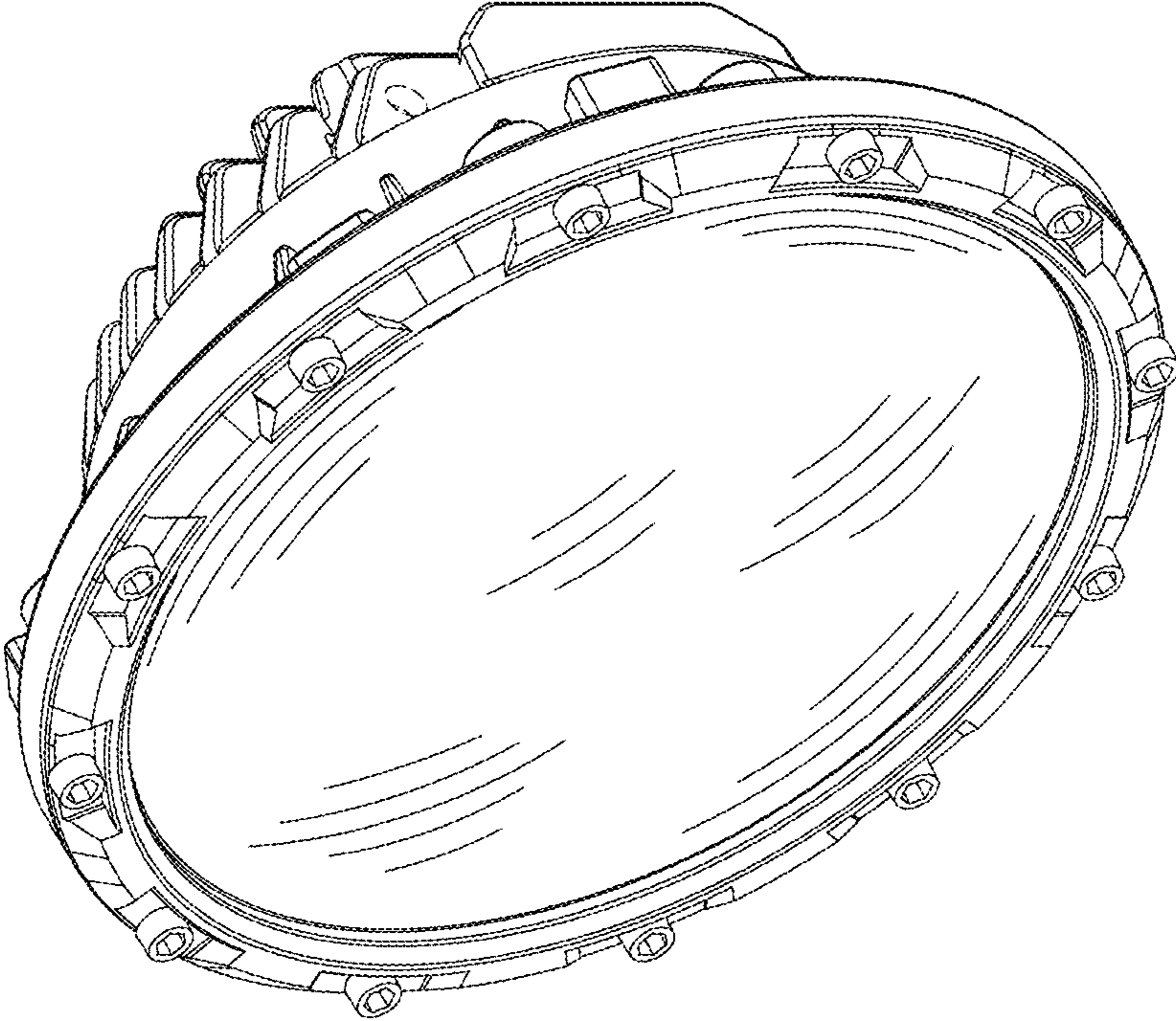


FIG. 1

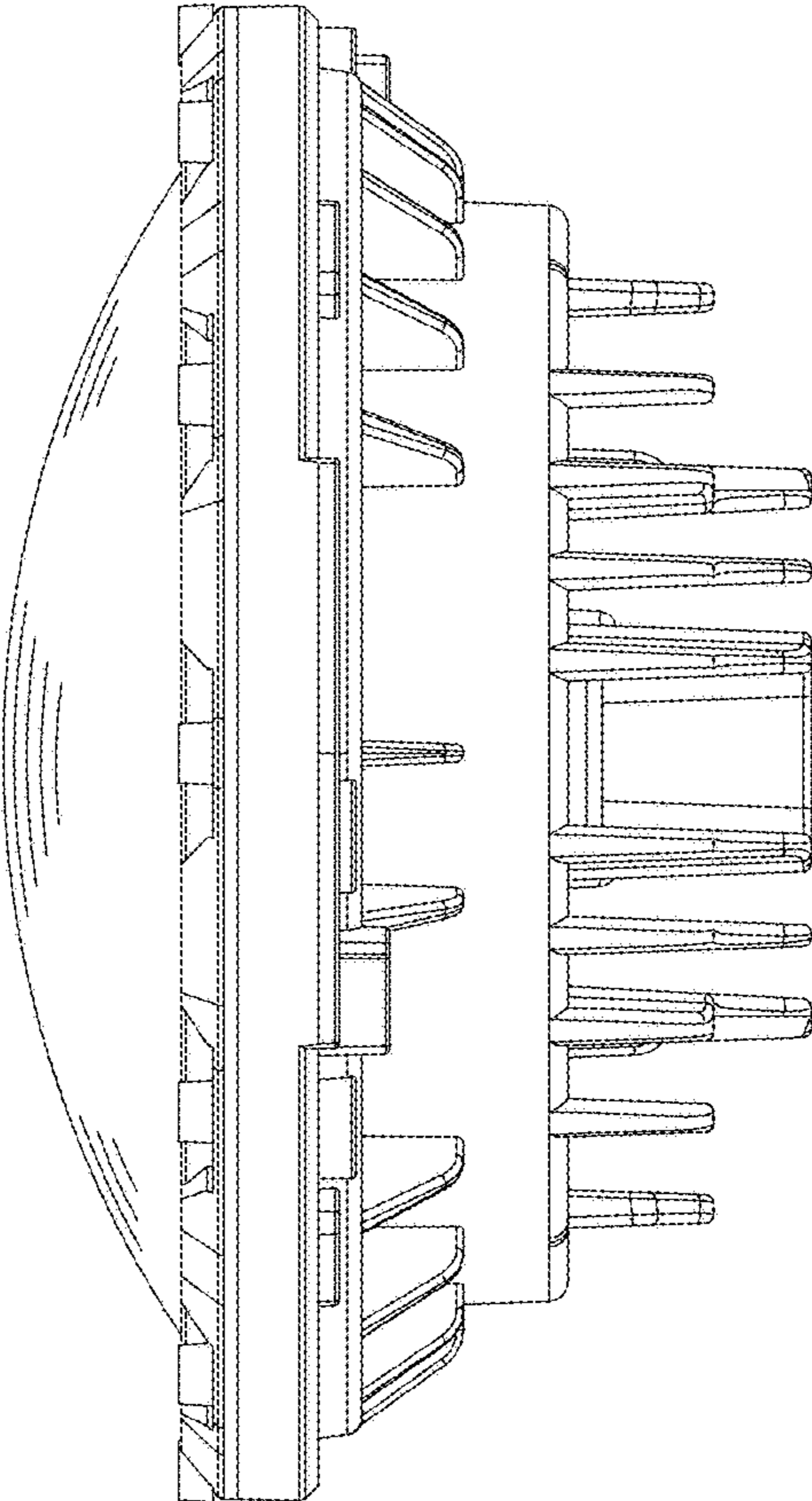


FIG. 2

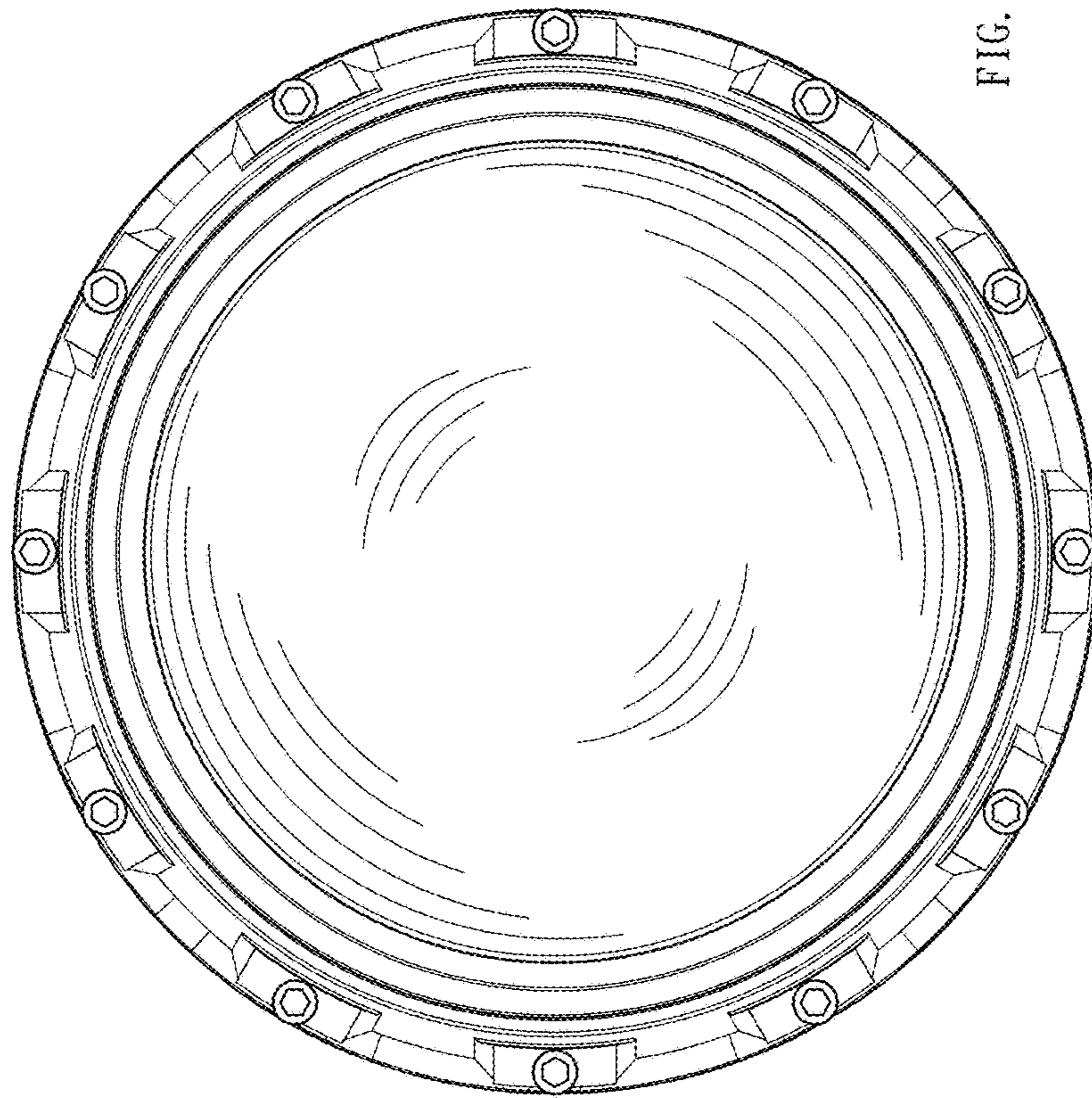


FIG. 3

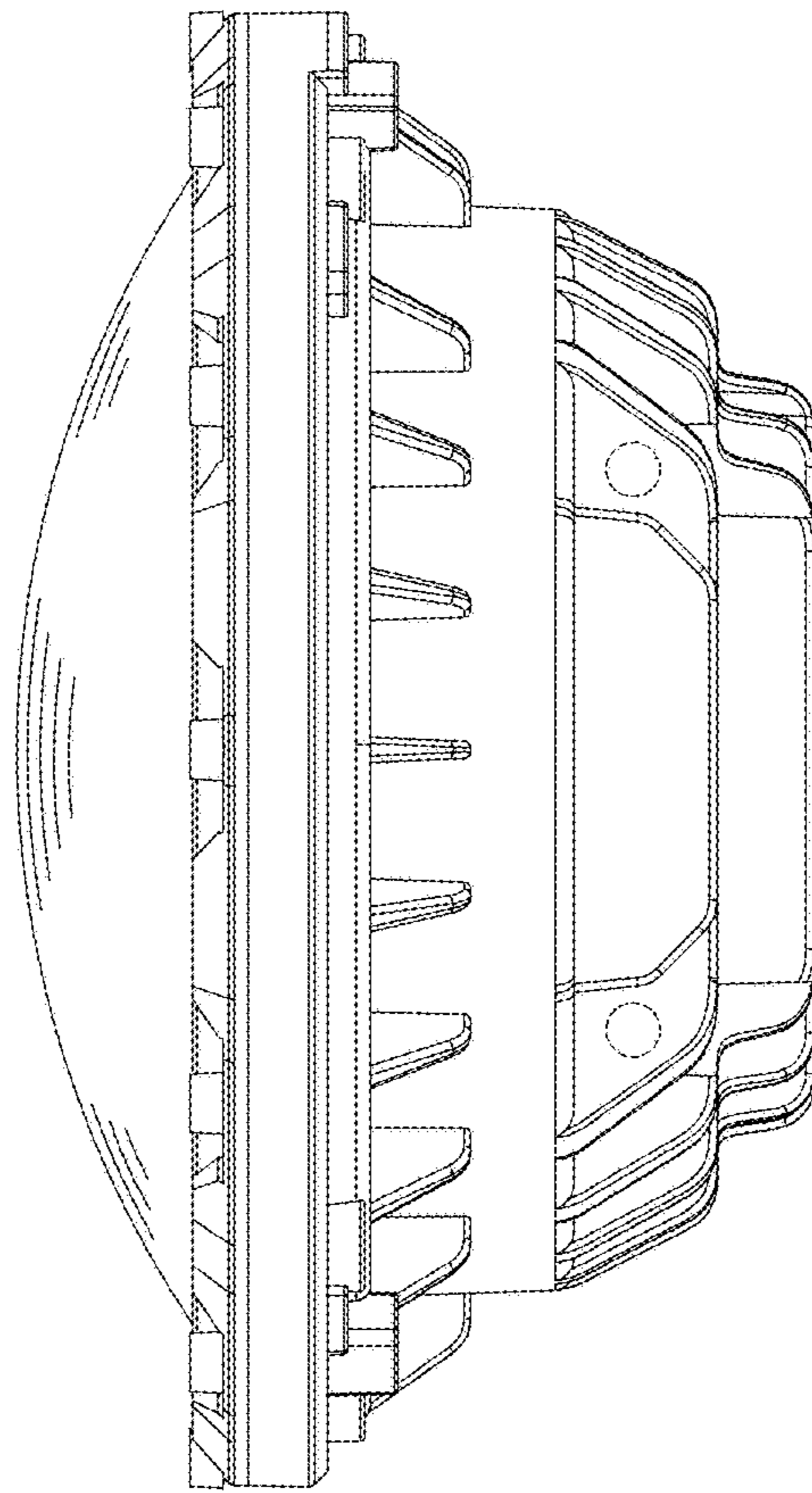


FIG. 4

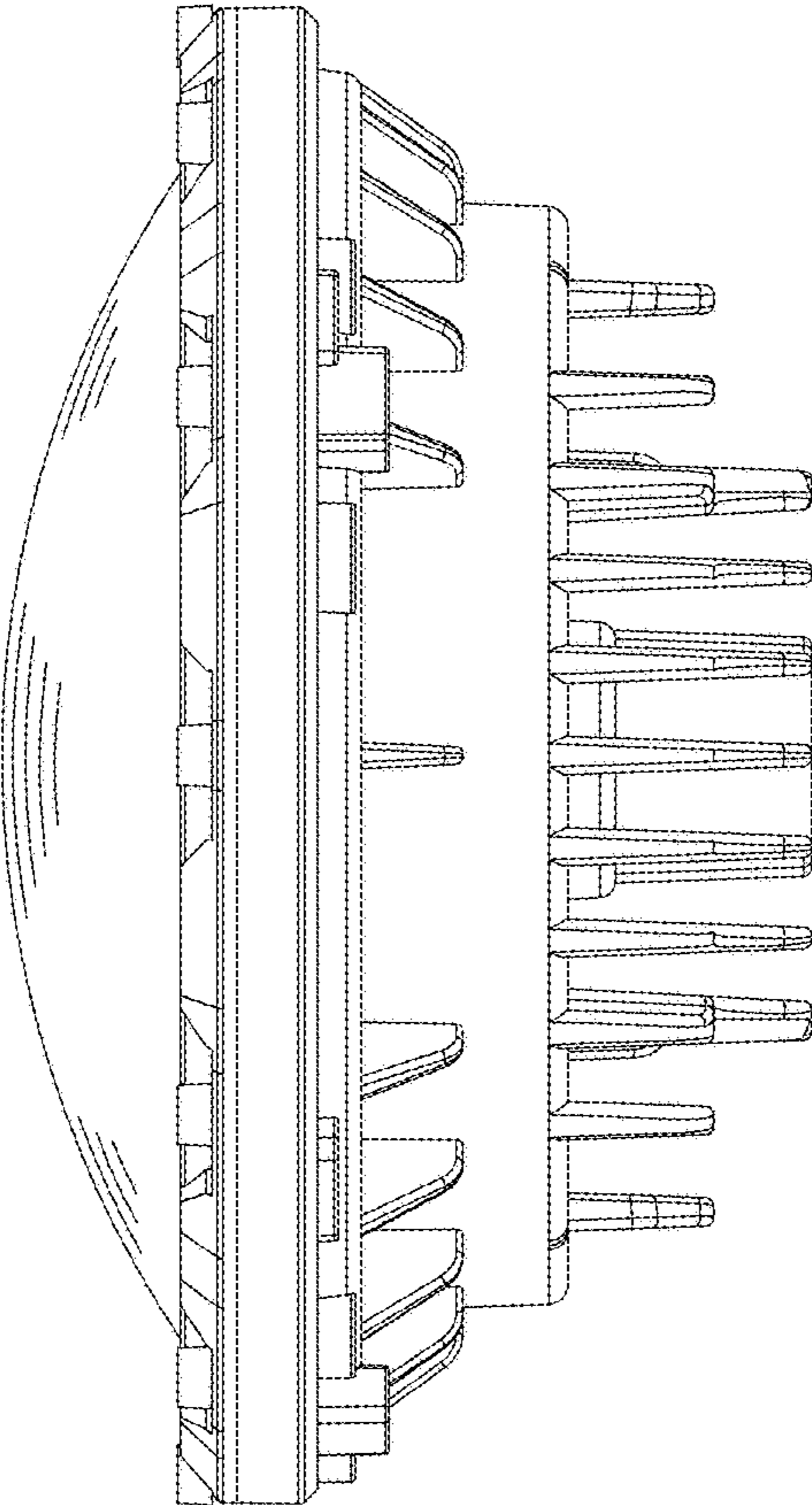


FIG. 5

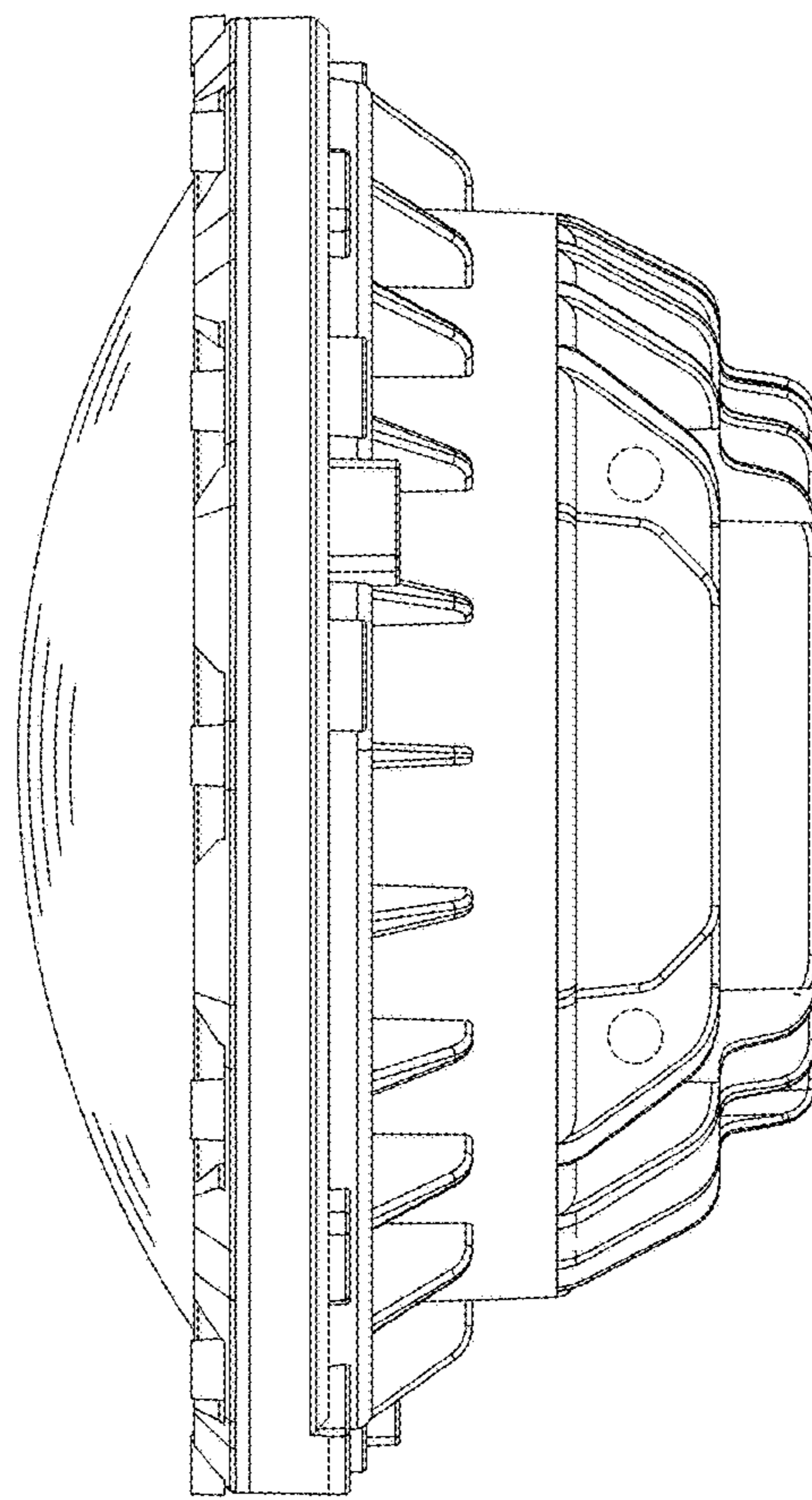


FIG. 6

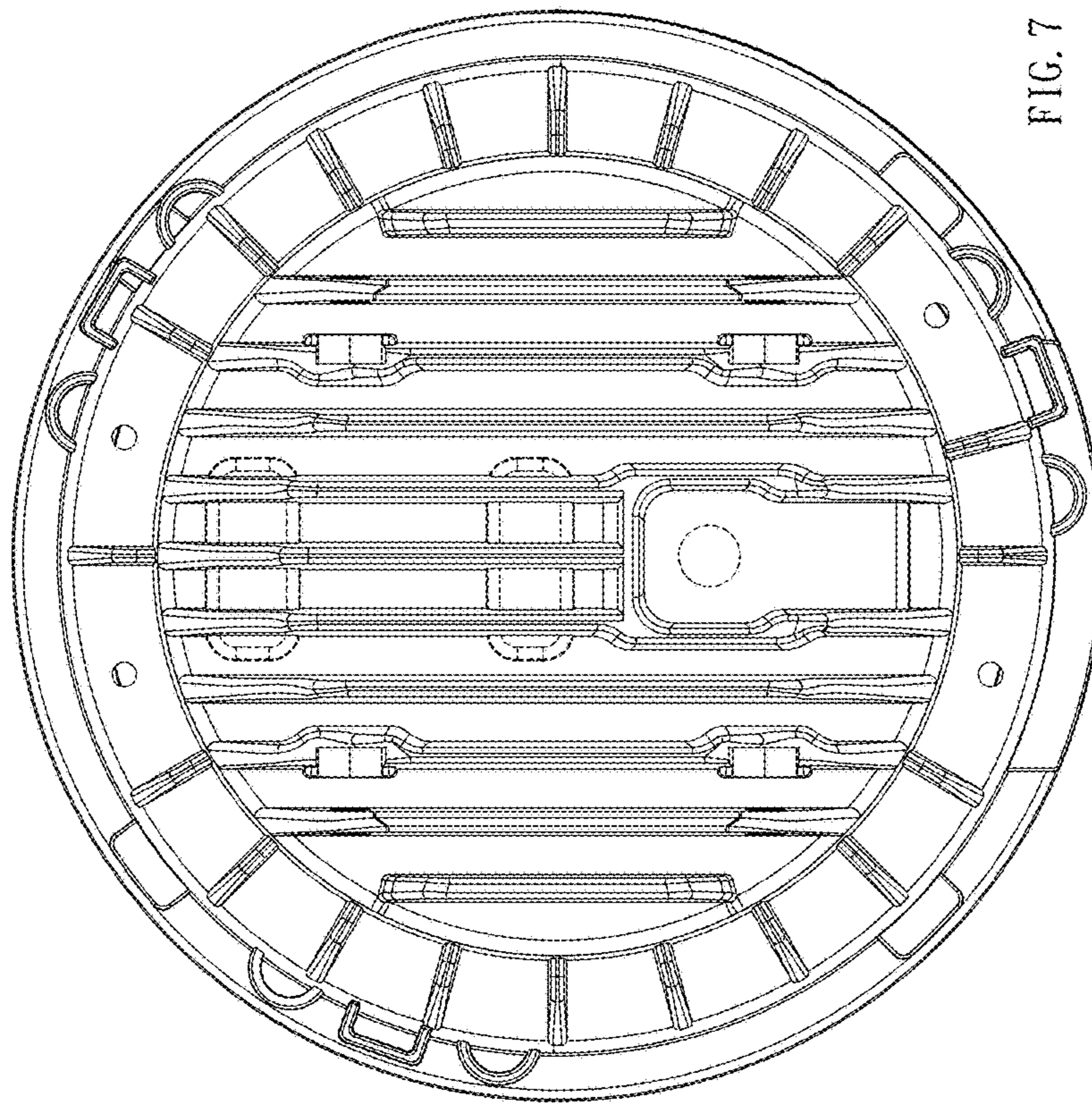


FIG. 7