



US00D855858S

(12) **United States Design Patent**
Chen et al.

(10) **Patent No.:** **US D855,858 S**

(45) **Date of Patent:** **** Aug. 6, 2019**

(54) **LED STREET LAMP**

(71) Applicant: **HANGZHOU HPWINNER OPTO CORPORATION**, Hangzhou (CN)

(72) Inventors: **Kai Chen**, Hangzhou (CN); **Jianming Huang**, Hangzhou (CN)

(73) Assignee: **HANGZHOU HPWINNER OPTO CORPORATION**, Hangzhou (CN)

(**) Term: **15 Years**

(21) Appl. No.: **29/645,604**

(22) Filed: **Apr. 27, 2018**

Related U.S. Application Data

(62) Division of application No. 29/577,345, filed on Sep. 12, 2016.

(51) **LOC (12) Cl.** **26-05**

(52) **U.S. Cl.**
USPC **D26/71**

(58) **Field of Classification Search**
USPC D26/63, 67-72, 87, 92, 118
(Continued)

(56) **References Cited**

U.S. PATENT DOCUMENTS

D698,479 S * 1/2014 Soni D26/71
D709,634 S * 7/2014 Coulbeaut D26/71

(Continued)

Primary Examiner — Clare E Heflin

(74) *Attorney, Agent, or Firm* — Plumsea Law Group, LLC

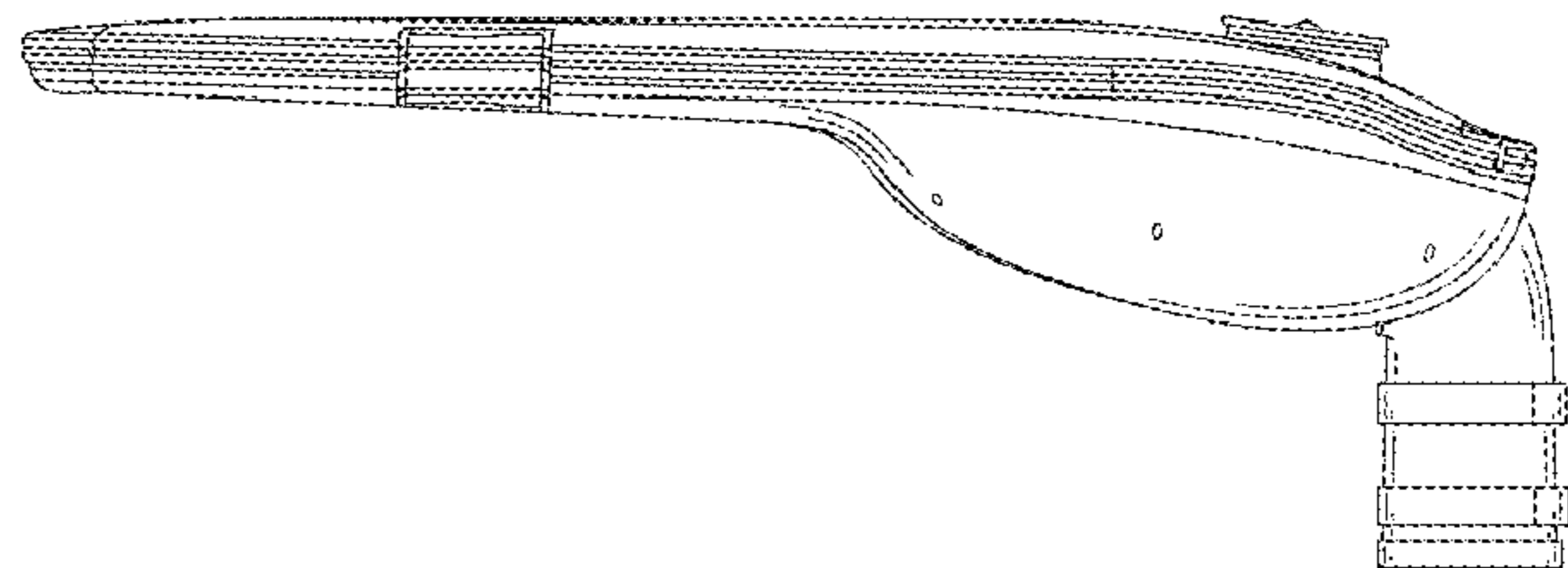
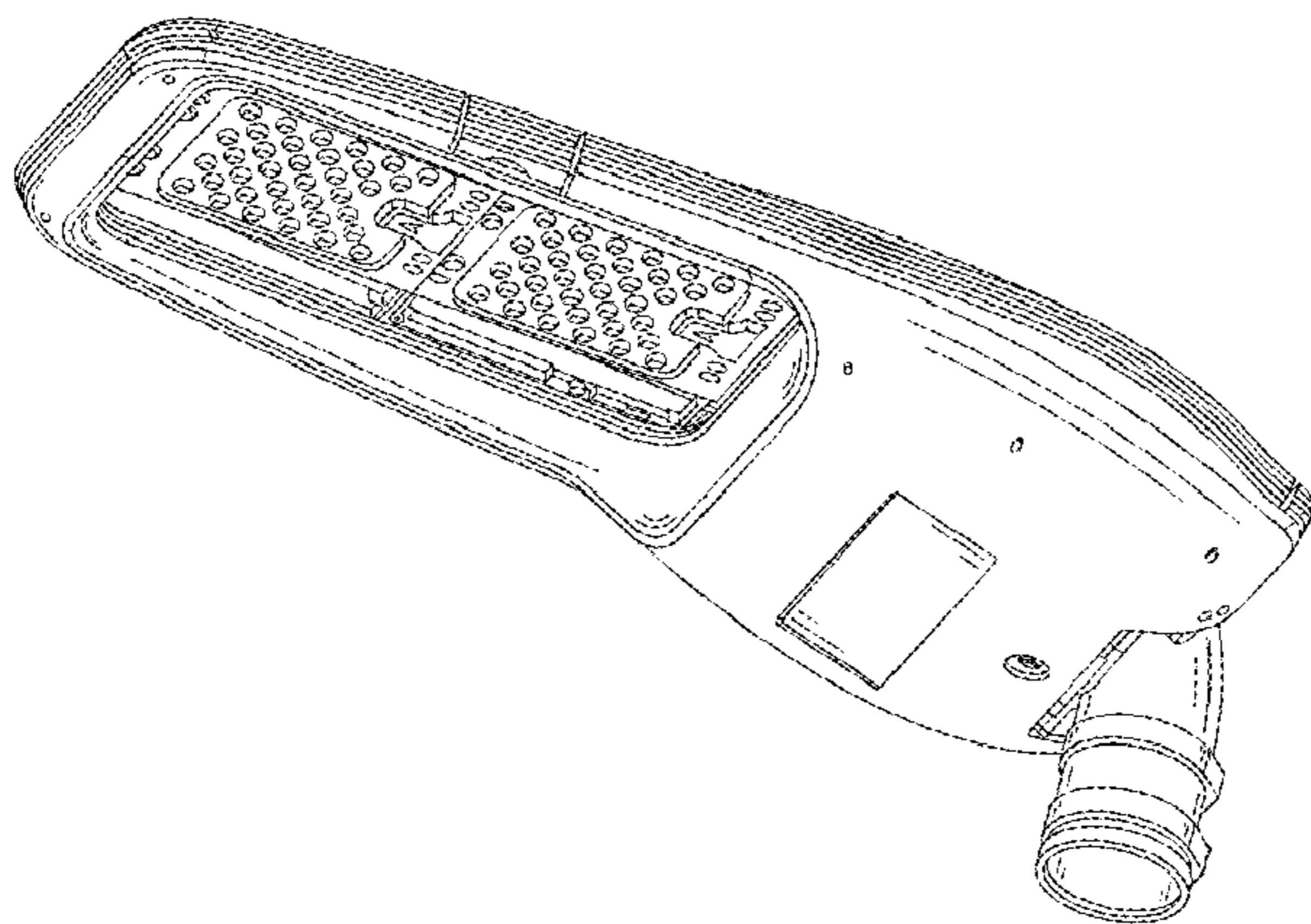
(57) **CLAIM**

The ornamental design for an LED street lamp, as shown and described.

DESCRIPTION

FIG. 1 is a perspective view of an LED street lamp in accordance with our design;
FIG. 2 is a left side view of the lamp of FIG. 1;
FIG. 3 is a right side view of the lamp of FIG. 1;
FIG. 4 is a front view of the lamp of FIG. 1;
FIG. 5 is another perspective view of the lamp of FIG. 1;
FIG. 6 is a rear view of the lamp of FIG. 1;
FIG. 7 is a top plan view of the lamp of FIG. 1;
FIG. 8 is a bottom plan view of the lamp of FIG. 1;
FIG. 9 is a perspective view of another embodiment of an LED street lamp in accordance with our design;
FIG. 10 is a left side view of the lamp of FIG. 9;
FIG. 11 is a right side view of the lamp of FIG. 9;
FIG. 12 is a front view of the lamp of FIG. 9;
FIG. 13 is another perspective view of the lamp of FIG. 9;
FIG. 14 is a rear view of the lamp of FIG. 9;
FIG. 15 is a top plan view of the lamp of FIG. 9;
FIG. 16 is a bottom plan view of the lamp of FIG. 9;
FIG. 17 is a perspective view of another embodiment of an LED street lamp in accordance with our design;
FIG. 18 is a left side view of the lamp of FIG. 17;
FIG. 19 is a right side view of the lamp of FIG. 17;
FIG. 20 is a front view of the lamp of FIG. 17;
FIG. 21 is another perspective view of the lamp of FIG. 17;
FIG. 22 is a rear view of the lamp of FIG. 17;
FIG. 23 is a top plan view of the lamp of FIG. 17;
FIG. 24 is a bottom plan view of the lamp of FIG. 17;
FIG. 25 is a perspective view of another embodiment of an LED street lamp in accordance with our design;
FIG. 26 is a left side view of the lamp of FIG. 25;
FIG. 27 is a right side view of the lamp of FIG. 25;
FIG. 28 is a front view of the lamp of FIG. 25;
FIG. 29 is another perspective view of the lamp of FIG. 25;
FIG. 30 is a rear view of the lamp of FIG. 25;
FIG. 31 is a top plan view of the lamp of FIG. 25; and,
FIG. 32 is a bottom plan view of the lamp of FIG. 25.

1 Claim, 4 Drawing Sheets



(58) **Field of Classification Search**

CPC .. F21S 8/085; F21S 8/086; F21S 8/068; F21S
9/03; F21S 9/037; F21W 2131/103;
F21W 2131/107; F21W 2131/109

See application file for complete search history.

(56) **References Cited**

U.S. PATENT DOCUMENTS

D709,635	S	*	7/2014	Coulbeaut	D26/71
D742,574	S	*	11/2015	Bembridge	D26/71
D743,606	S	*	11/2015	Cariboni	D26/71
D760,937	S	*	7/2016	Jurdana	D26/71
D765,298	S	*	8/2016	Frisee	D26/71
D767,196	S	*	9/2016	Duckworth	D26/92
D773,096	S	*	11/2016	Zhu	D26/71
D806,302	S	*	12/2017	Long	D26/63
2015/0362172	A1	*	12/2015	Gabriel	F21S 8/086 348/151
2017/0114986	A1	*	4/2017	Girouard	F21V 31/005

* cited by examiner

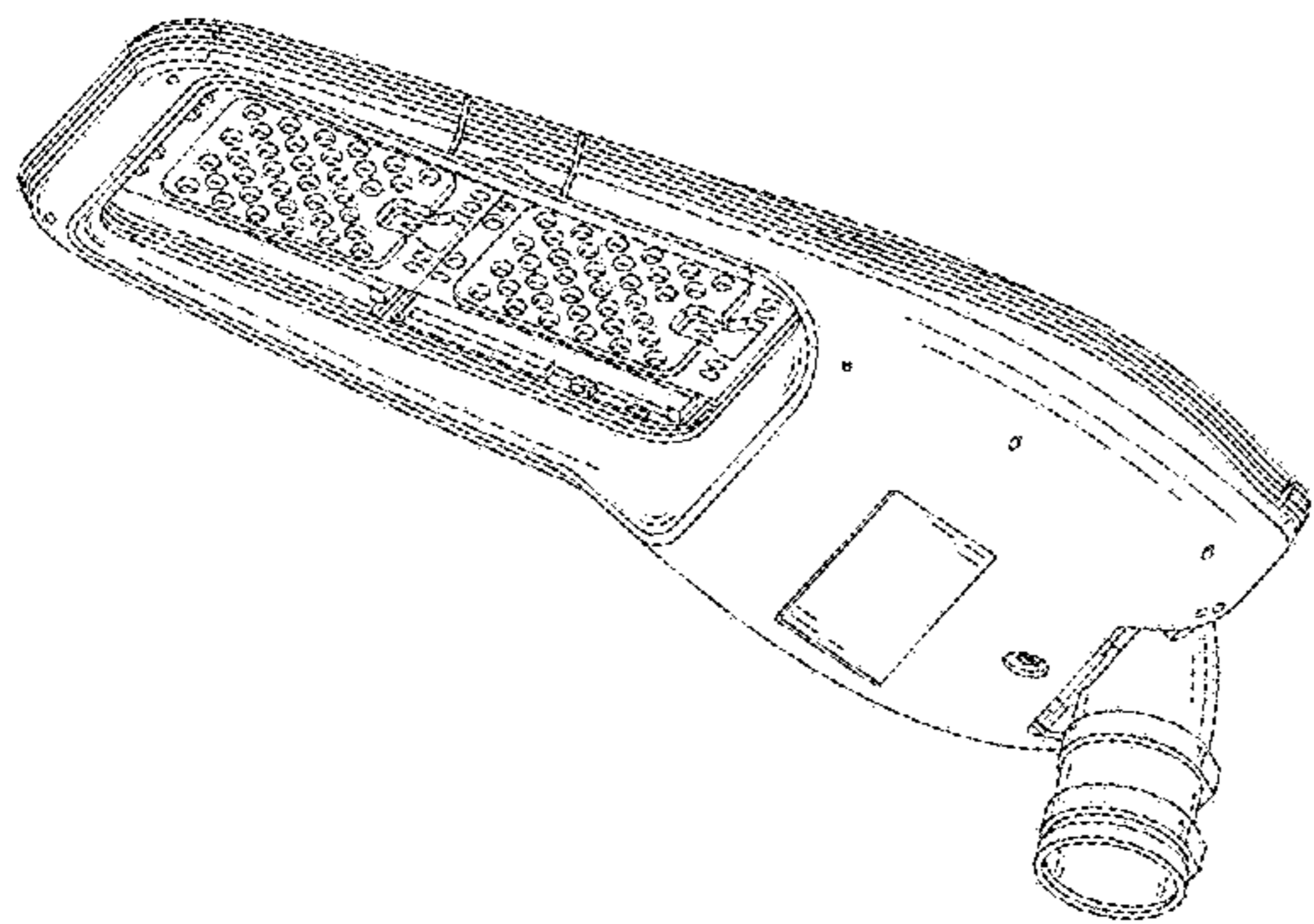


FIG. 1

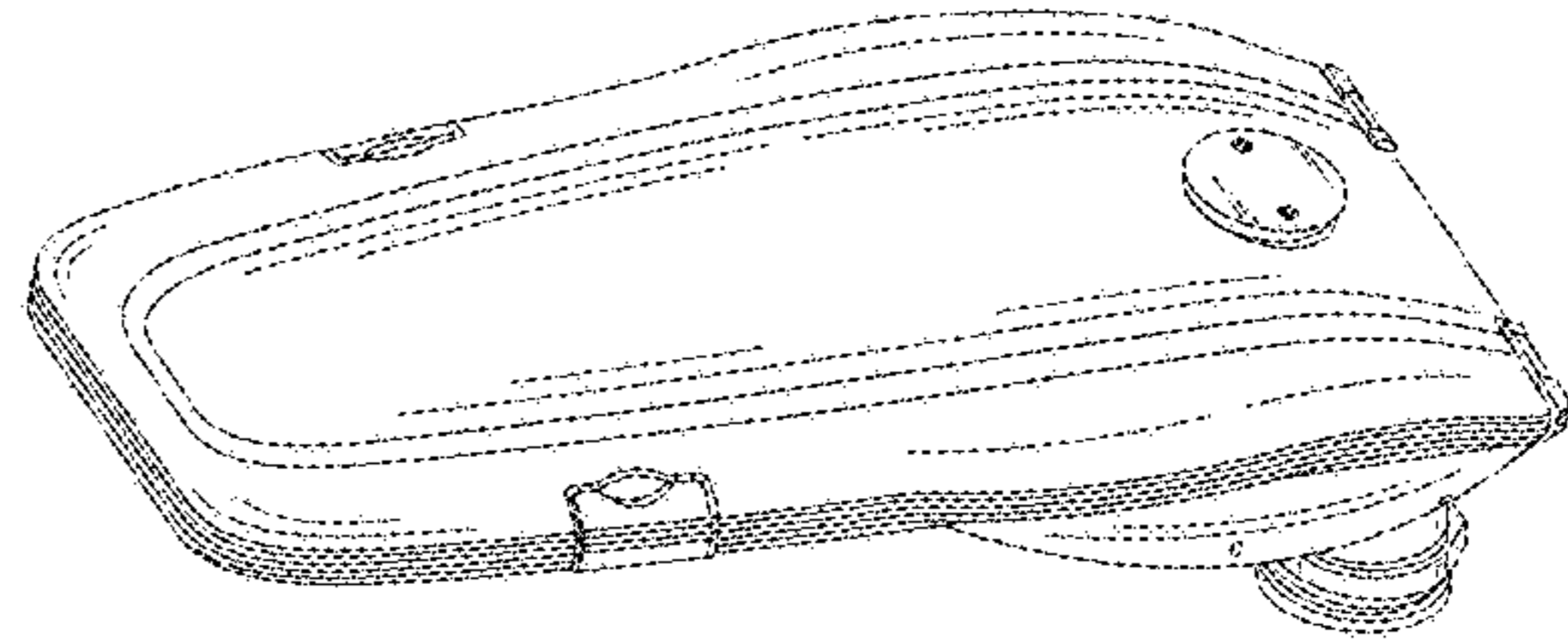


FIG. 5

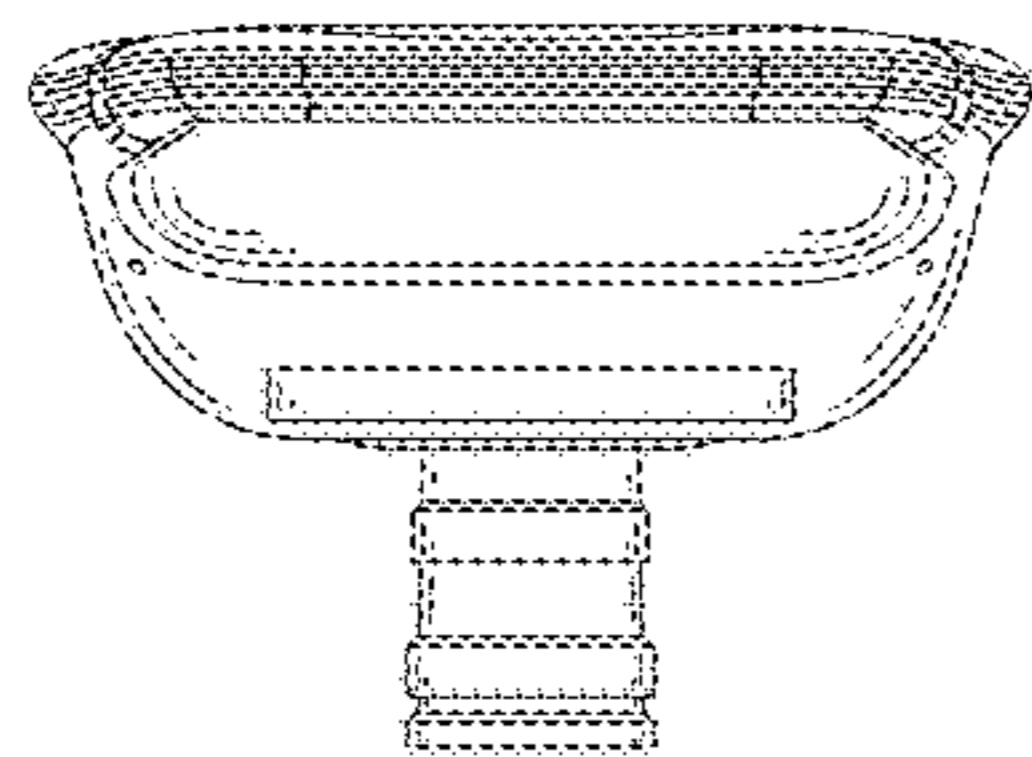


FIG. 2

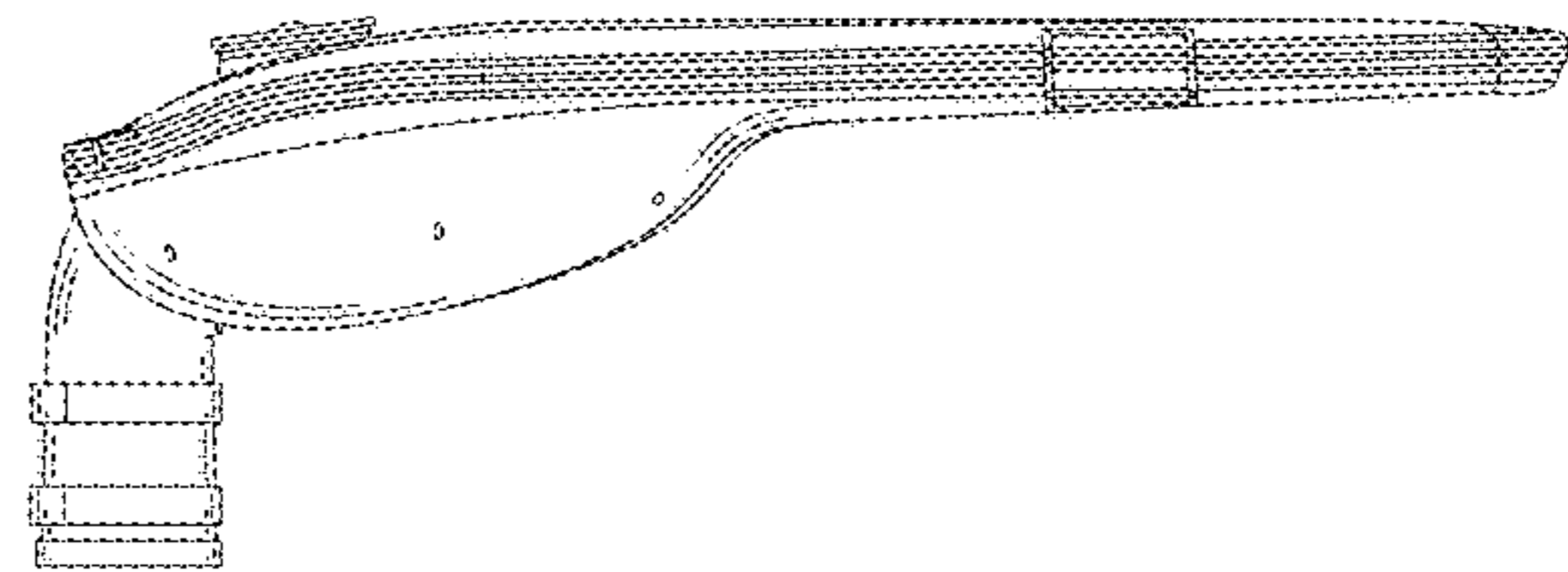


FIG. 6

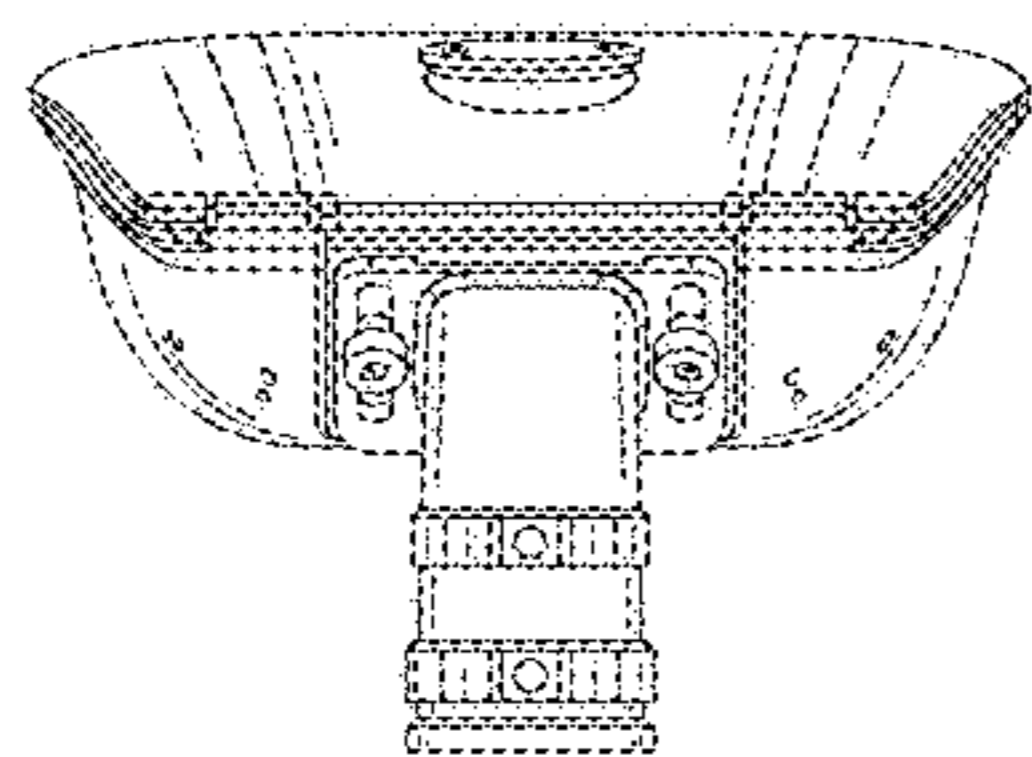


FIG. 3

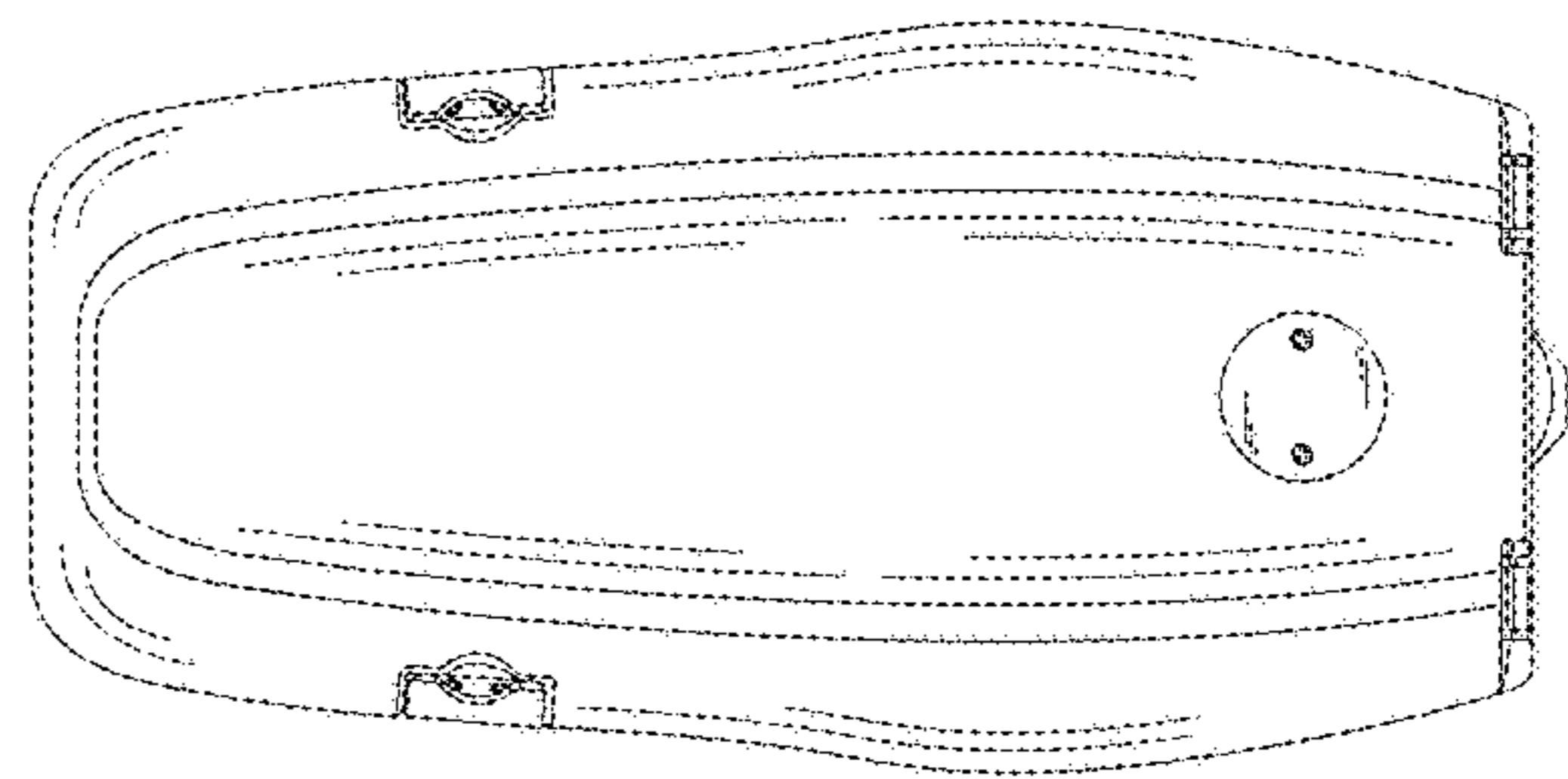


FIG. 7

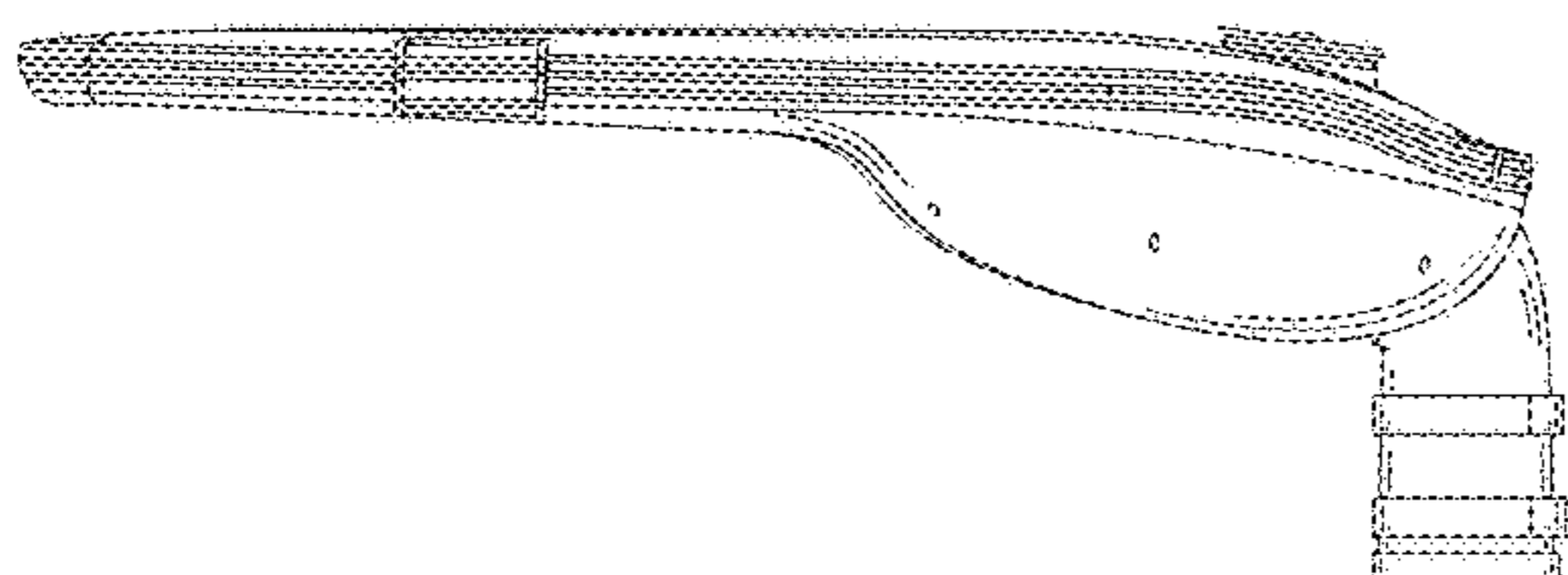


FIG. 4

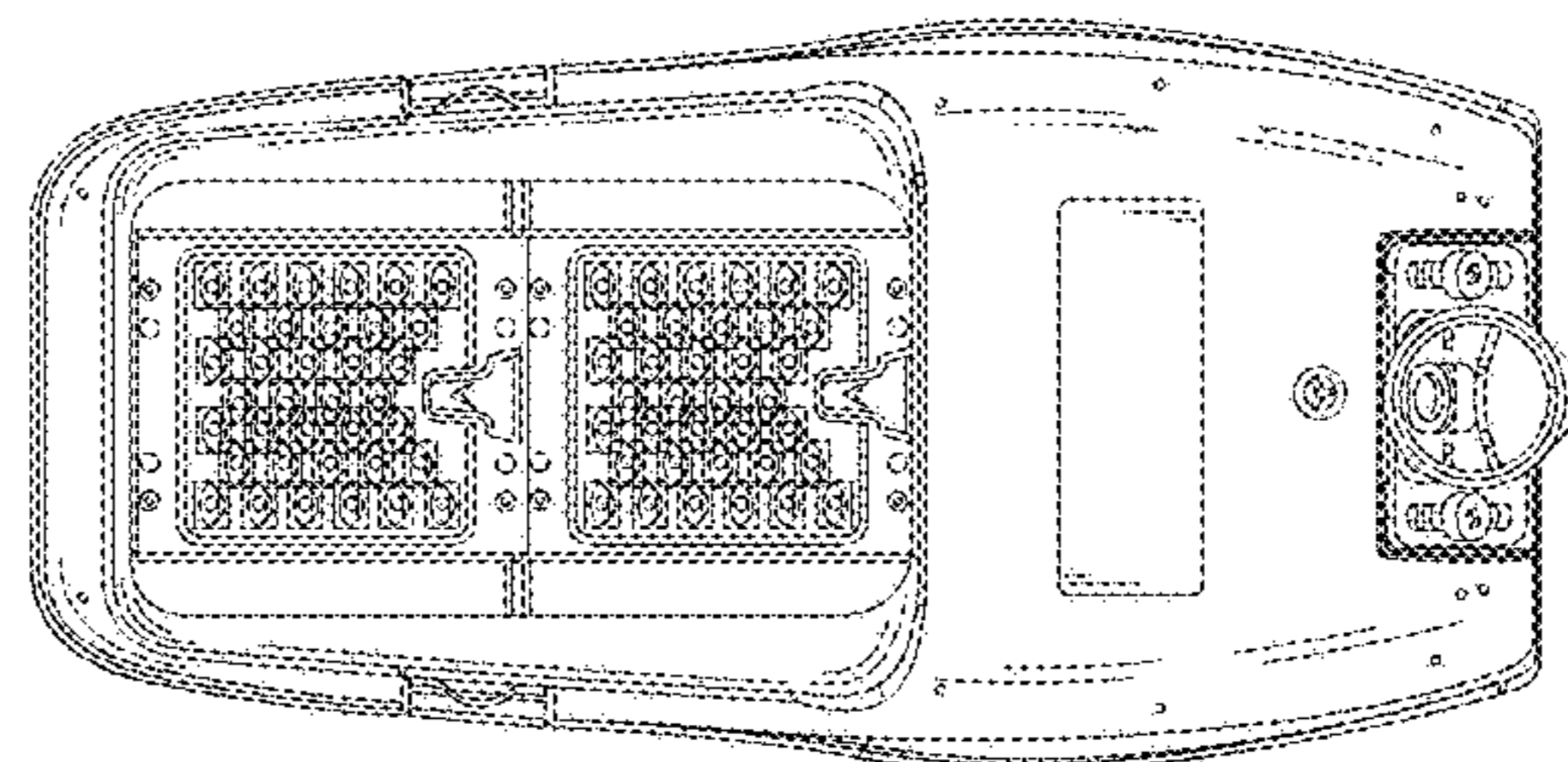


FIG. 8

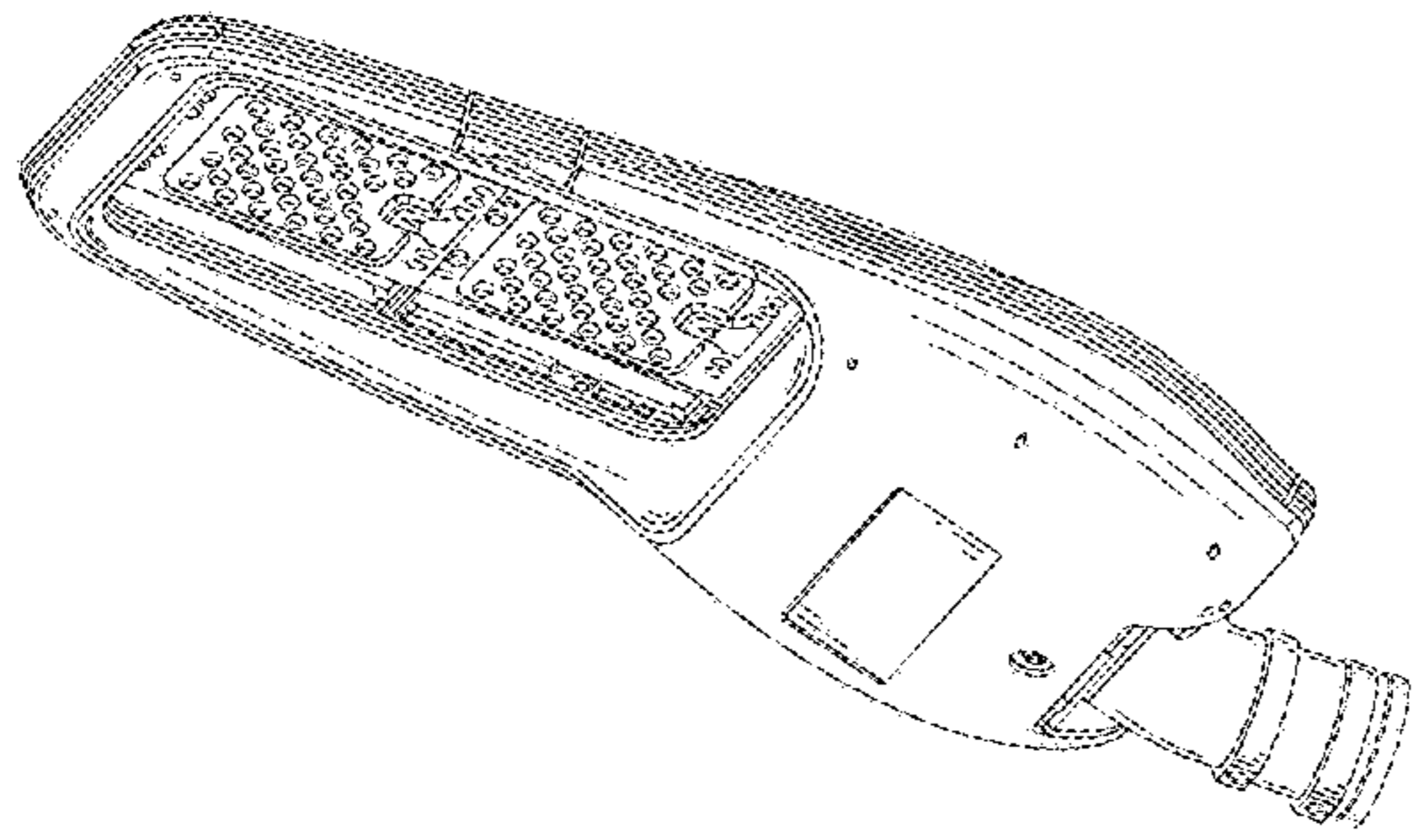


FIG. 9

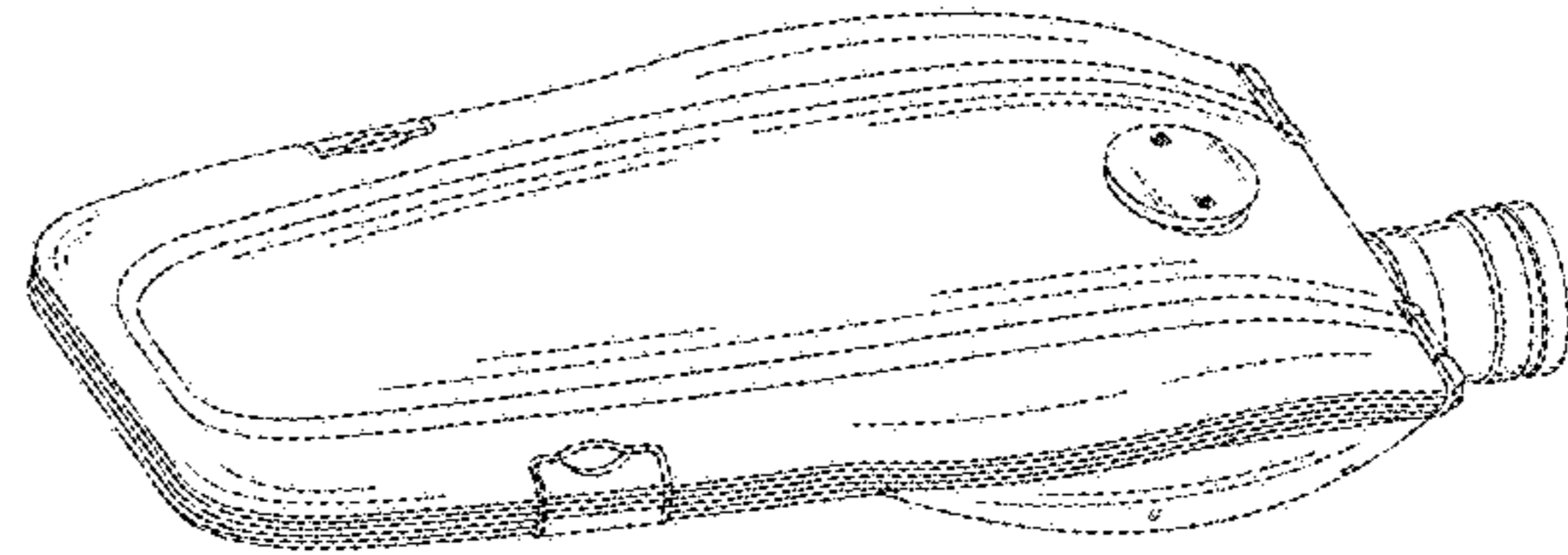


FIG. 13

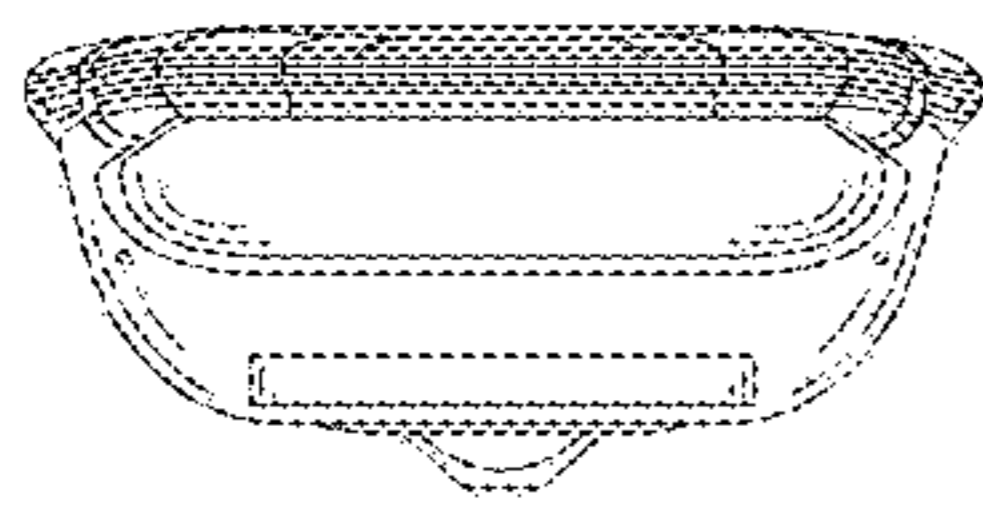


FIG. 10

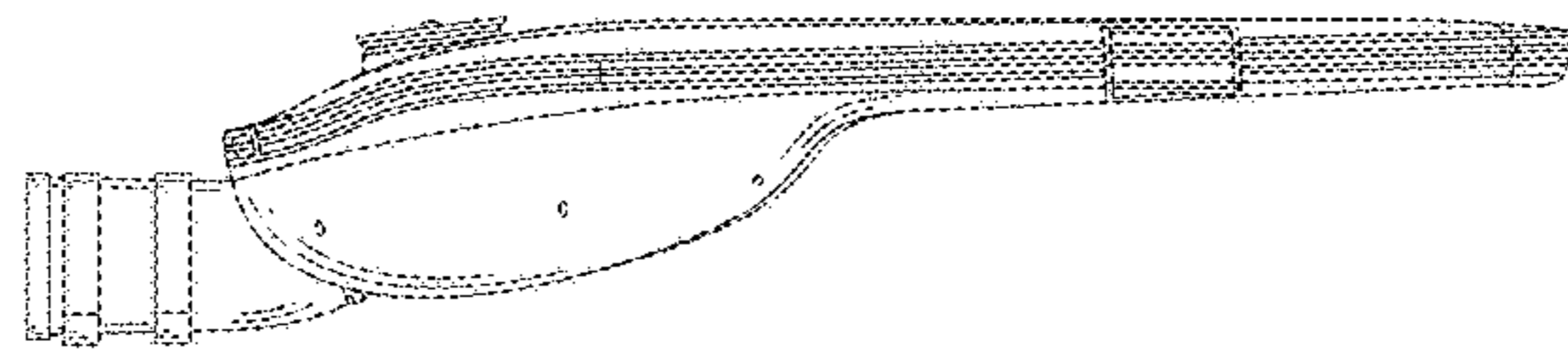


FIG. 14

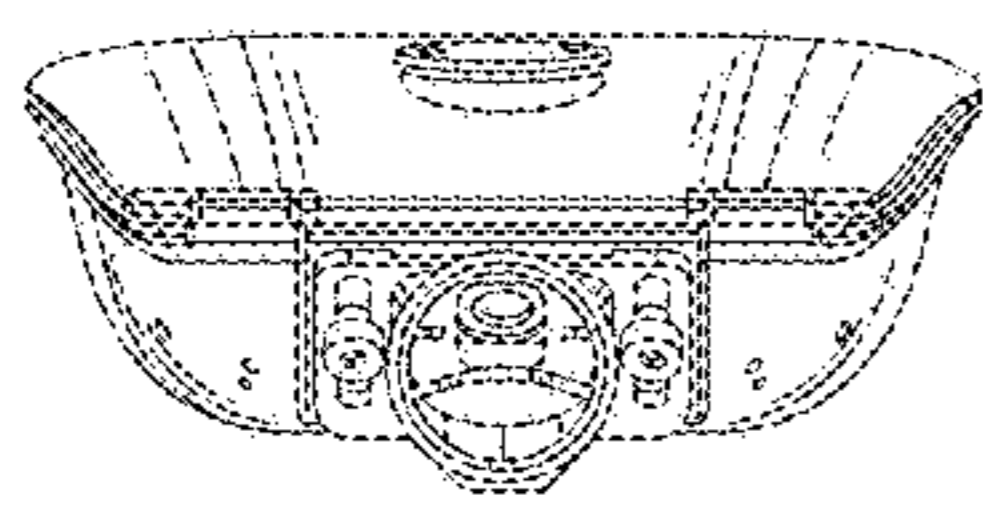


FIG. 11

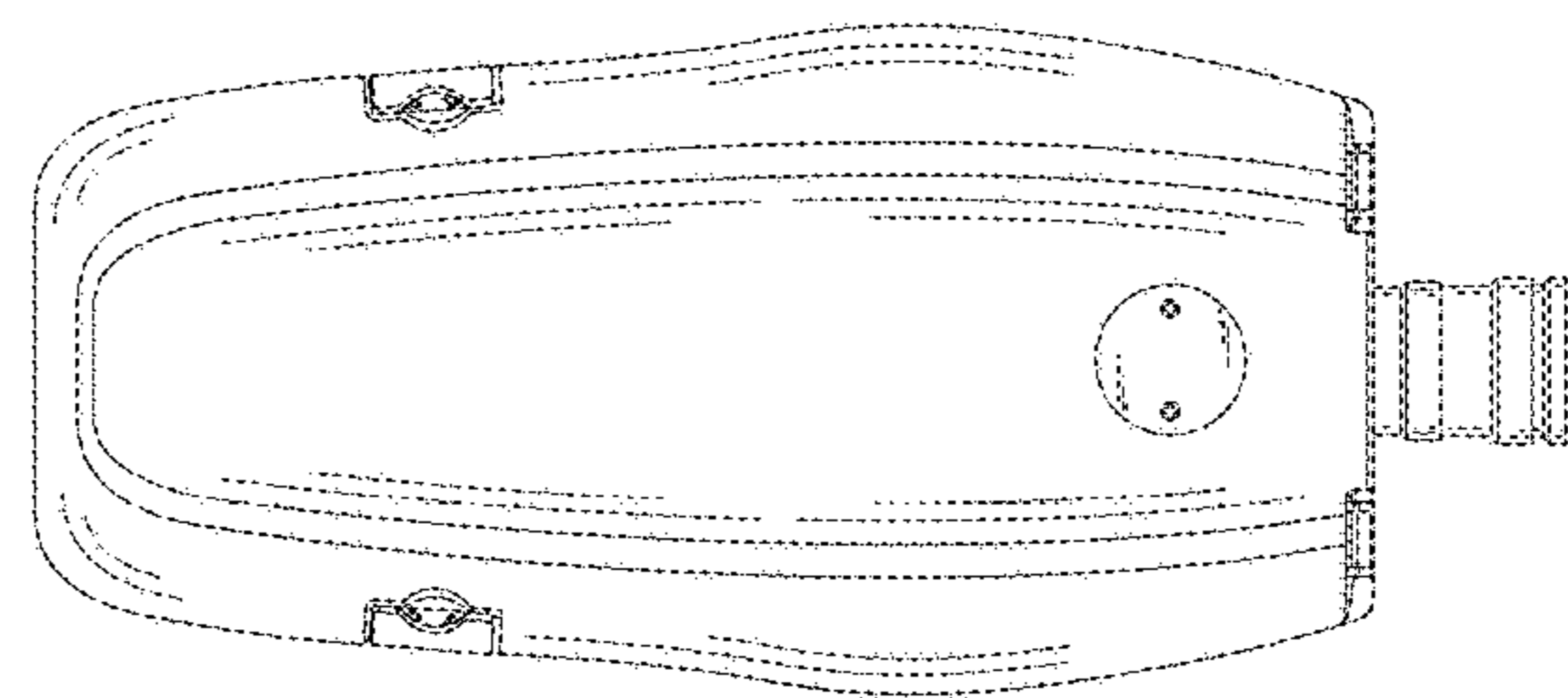


FIG. 15

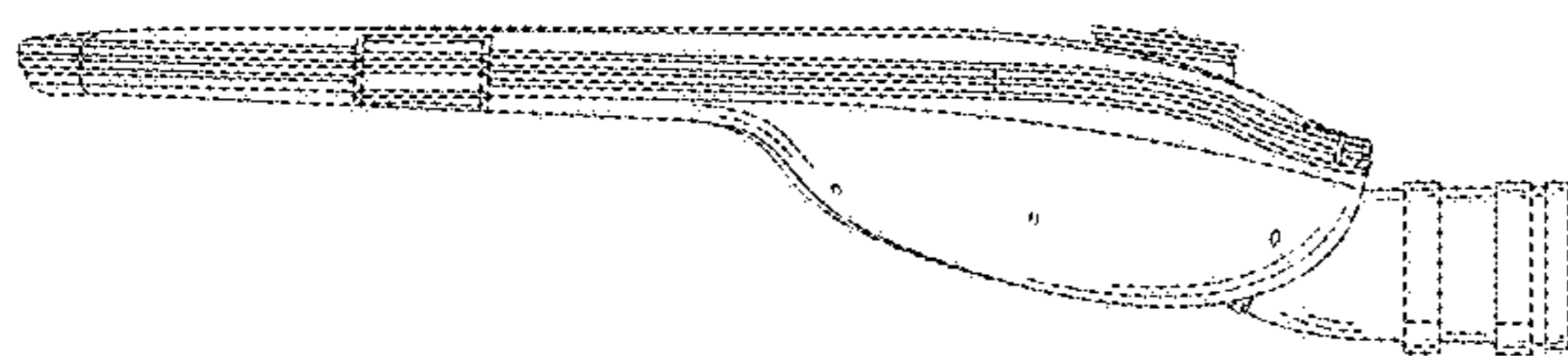


FIG. 12

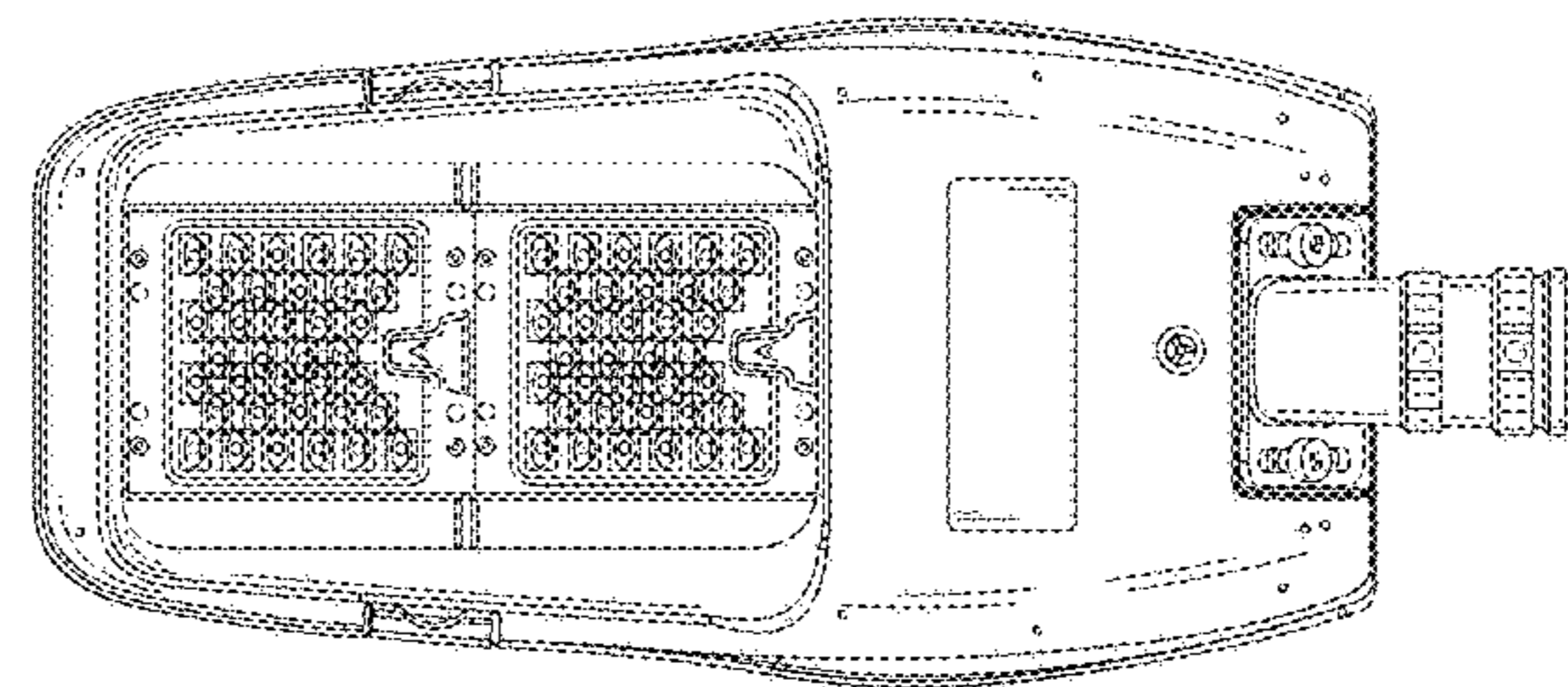


FIG. 16

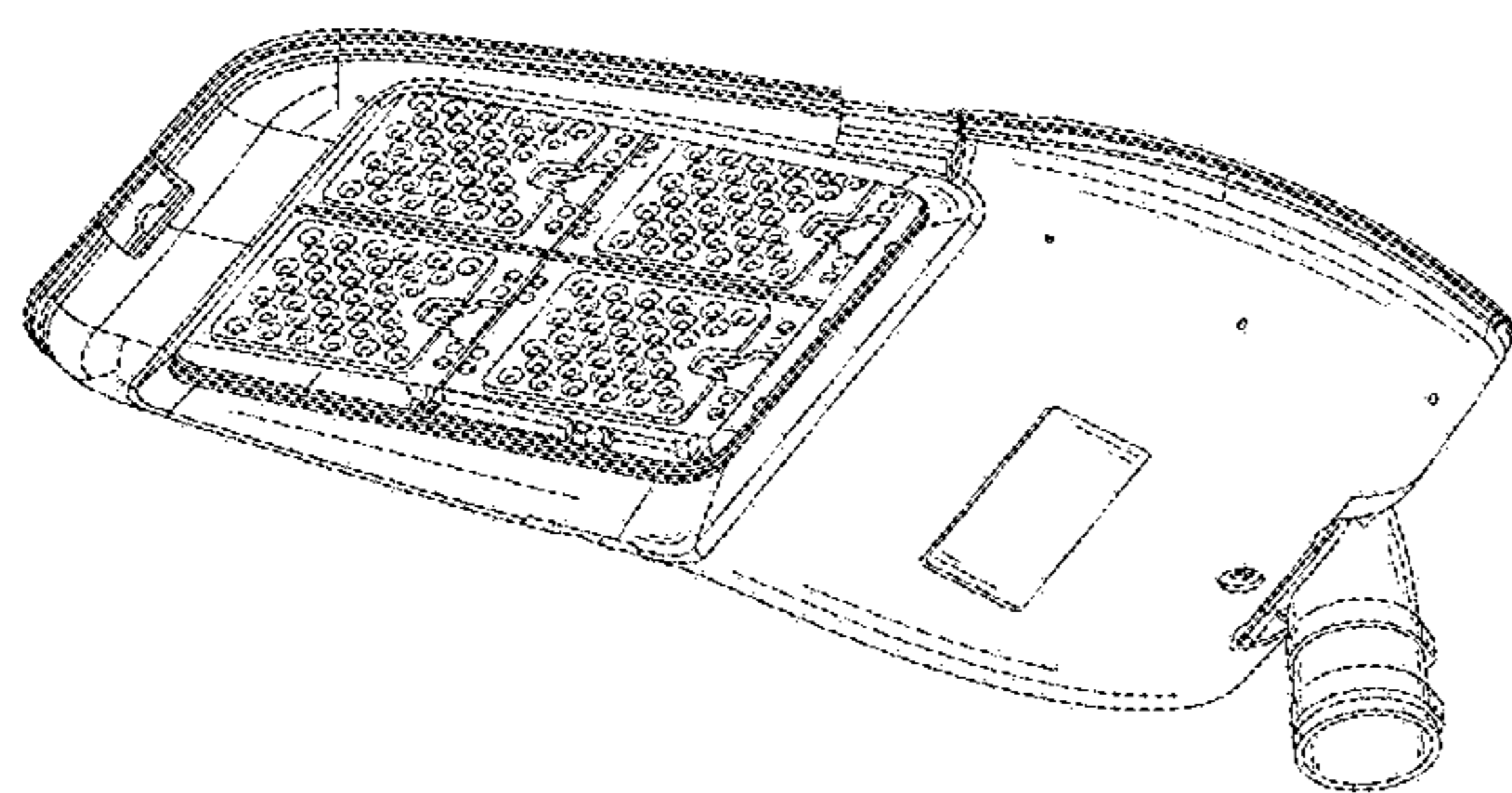


FIG. 17

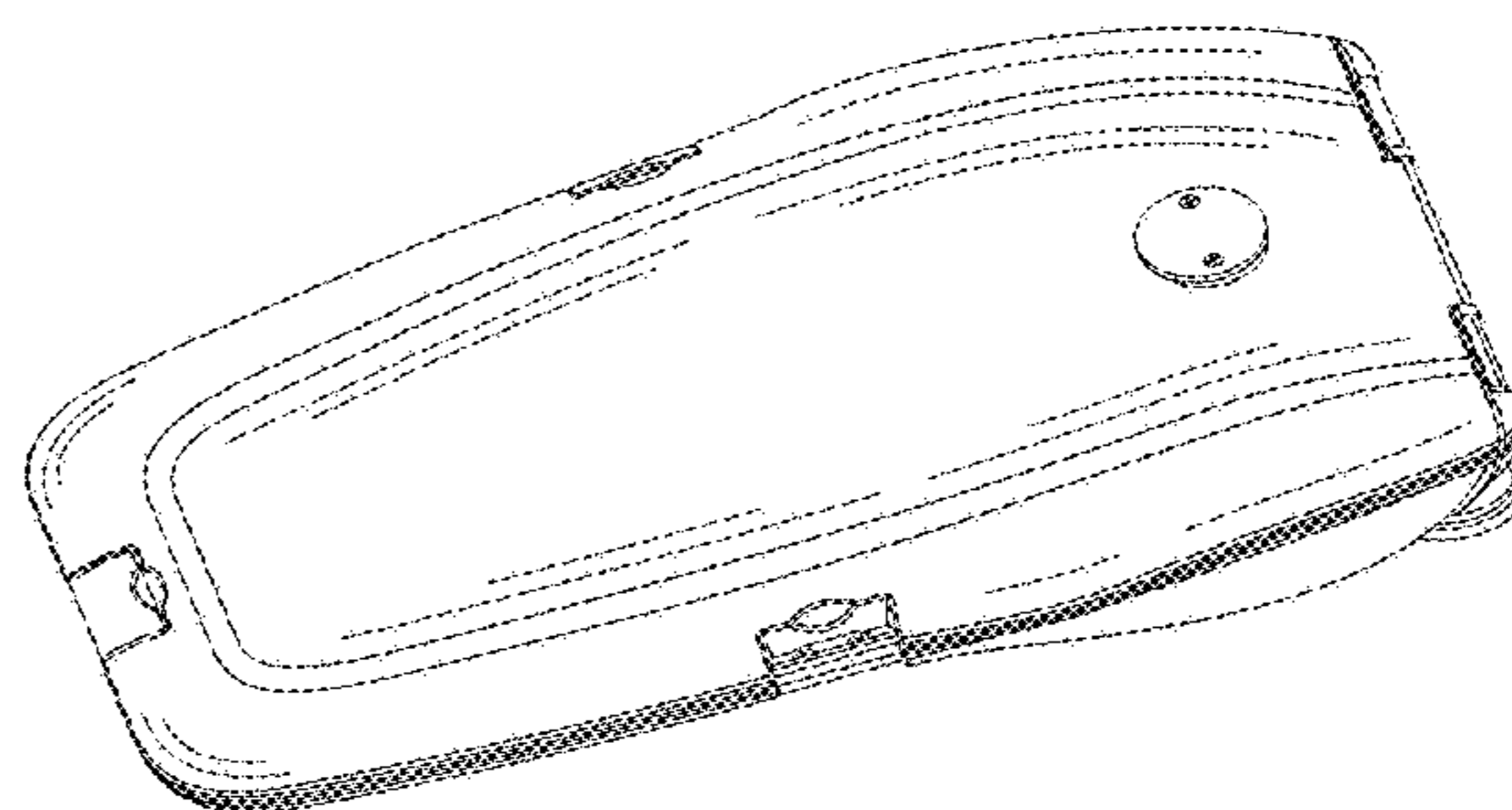


FIG. 21

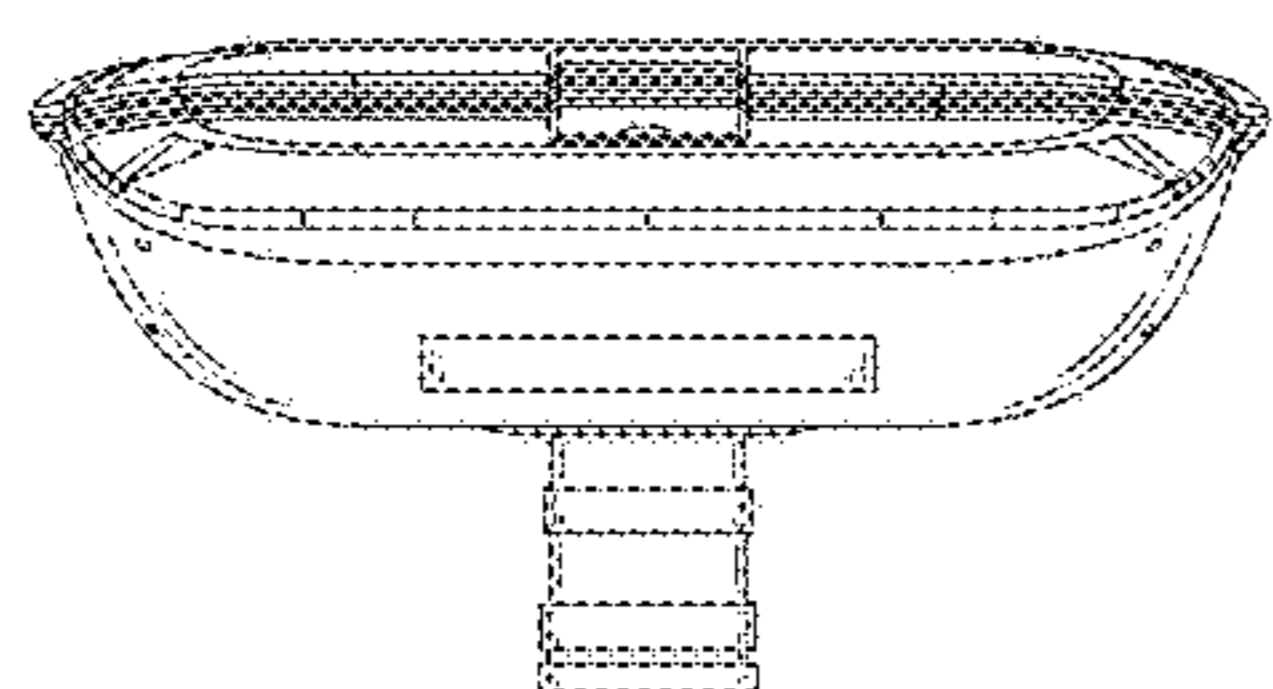


FIG. 18

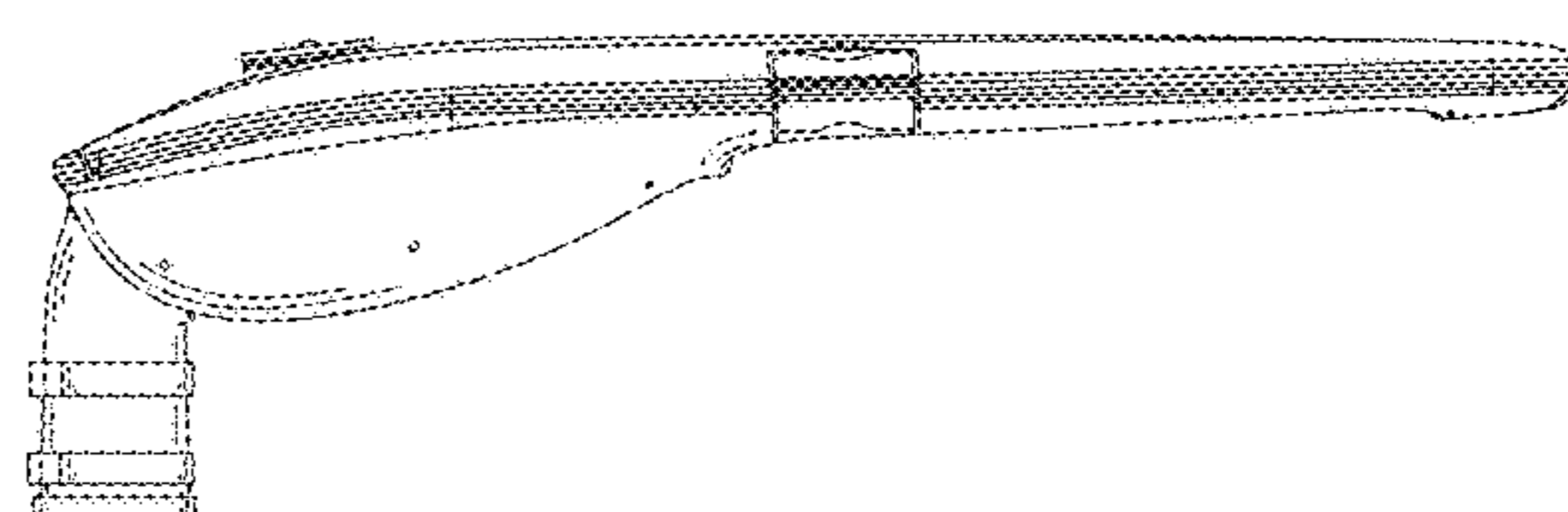


FIG. 22

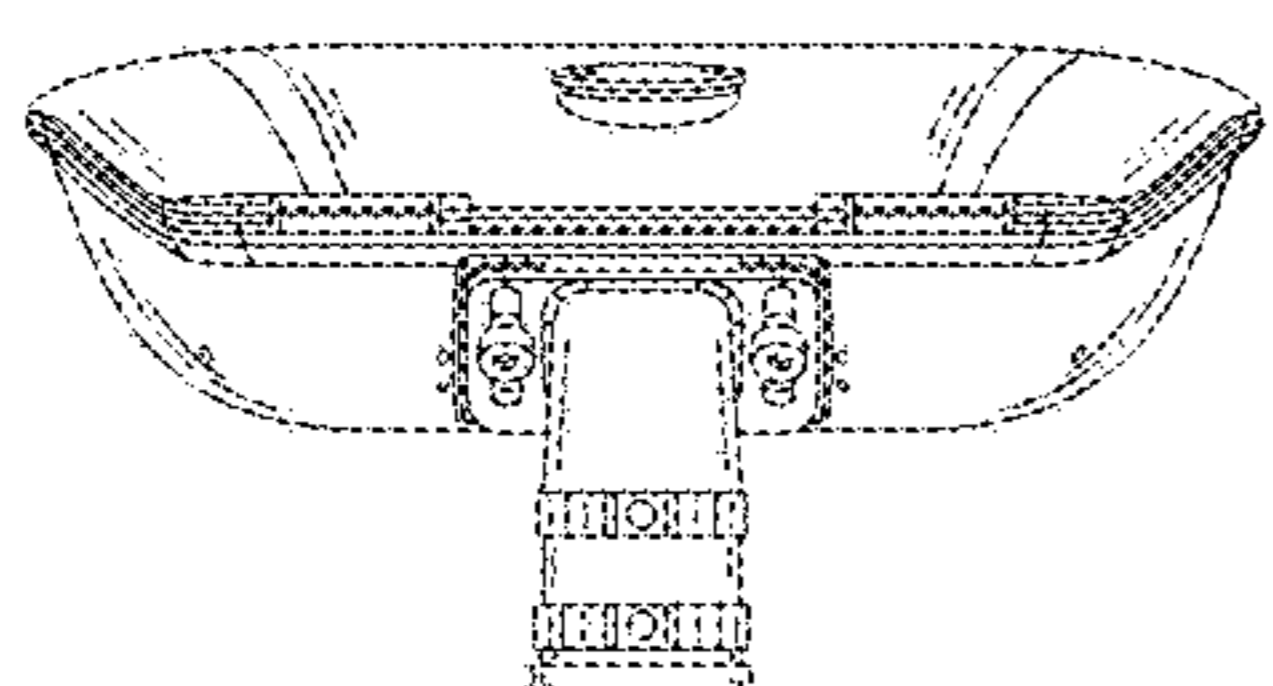


FIG. 19

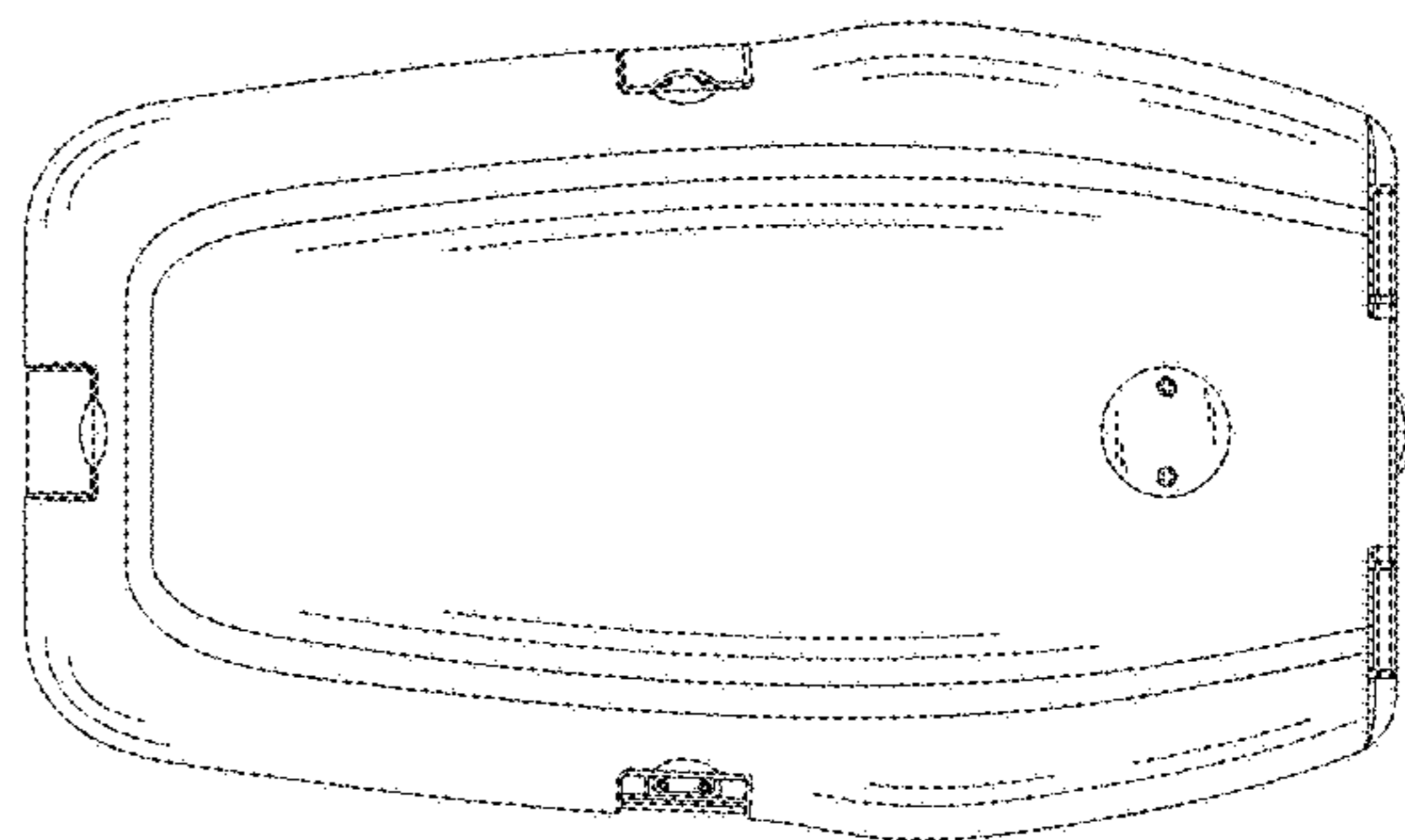


FIG. 23

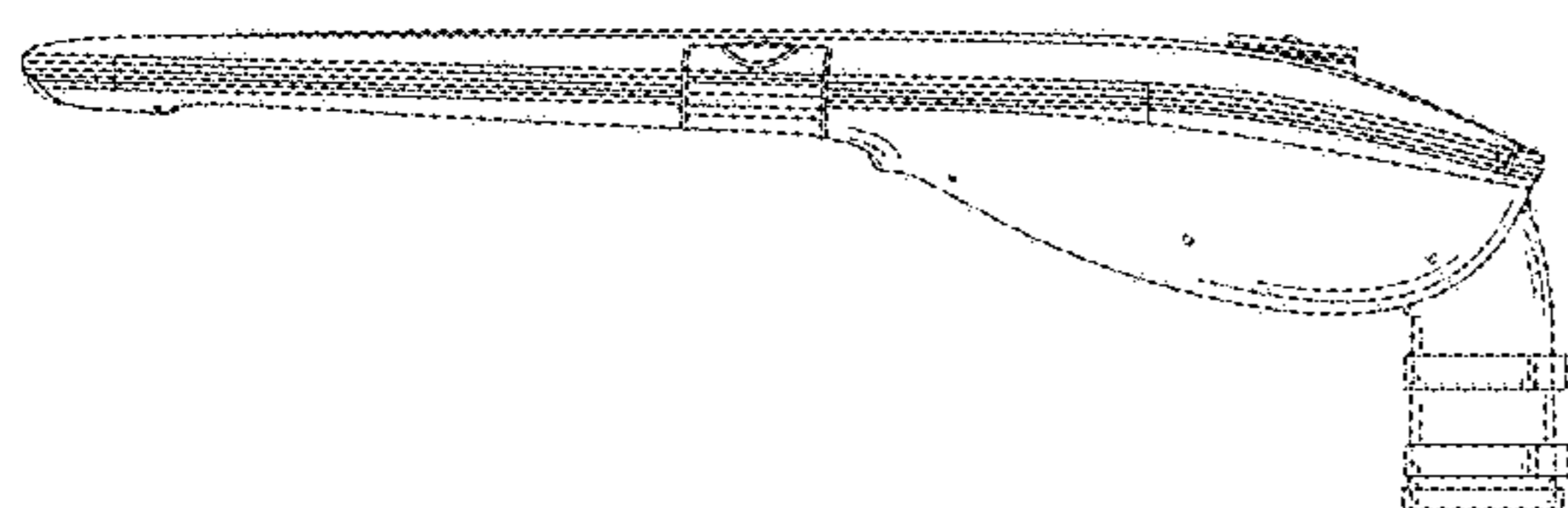


FIG. 20

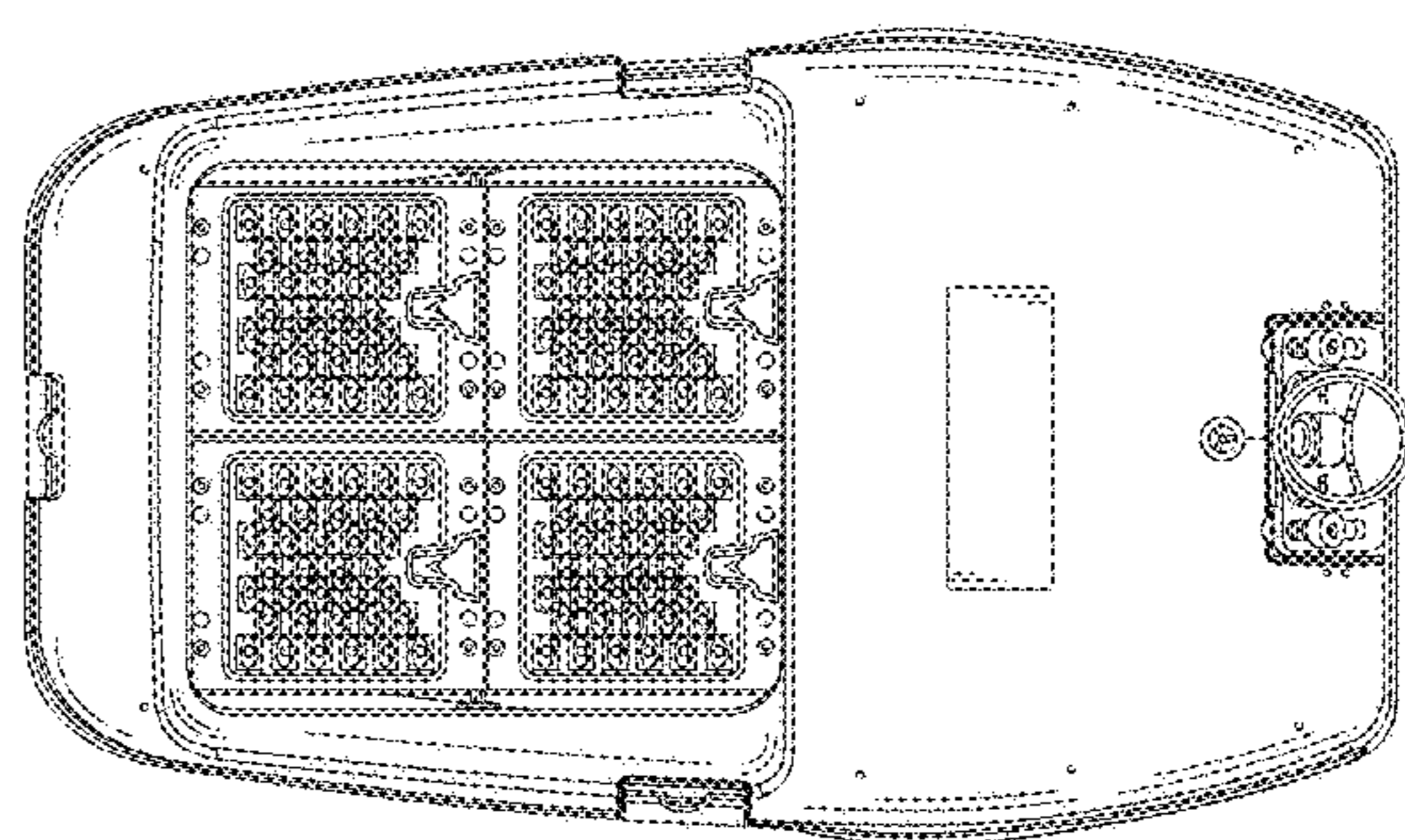


FIG. 24

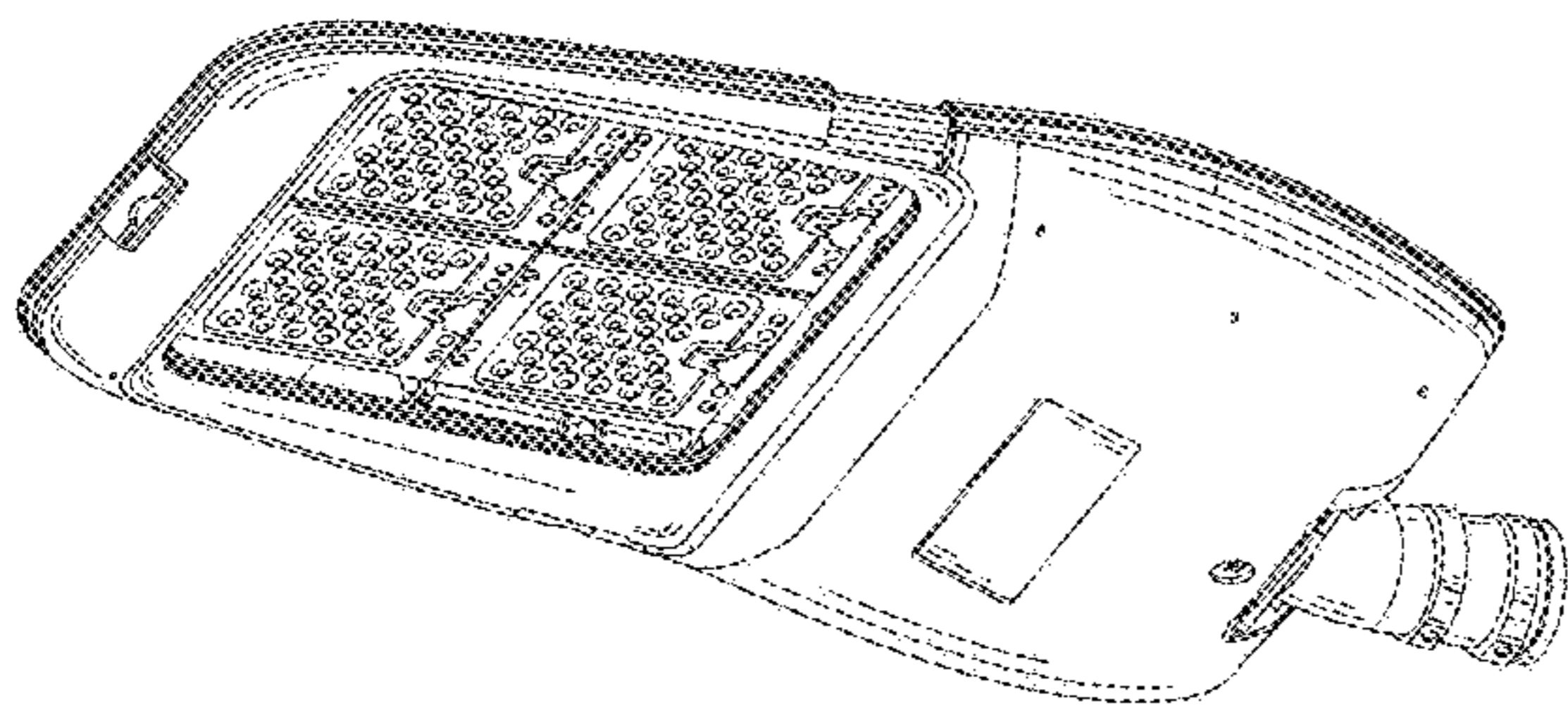


FIG. 25

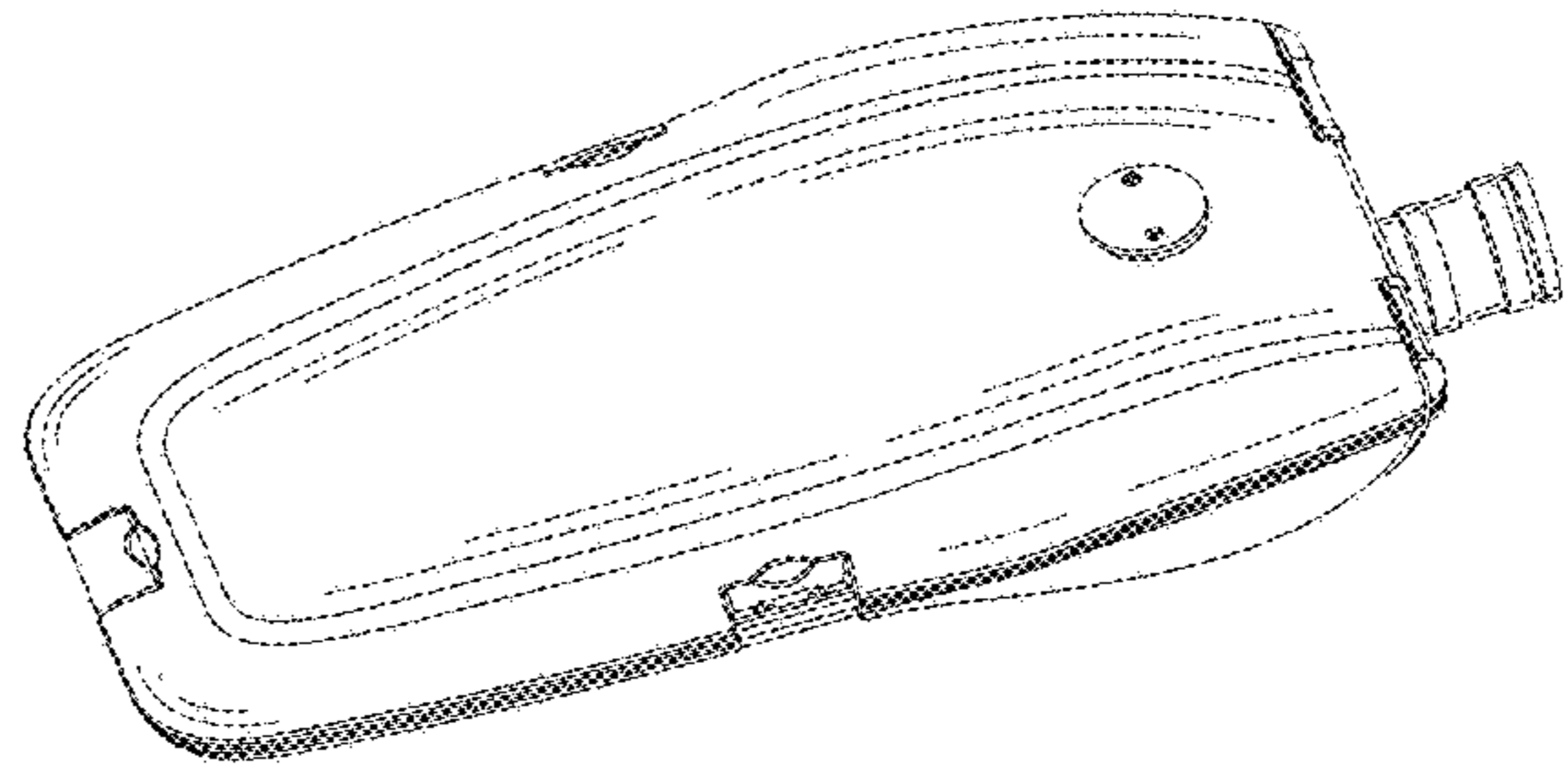


FIG. 29

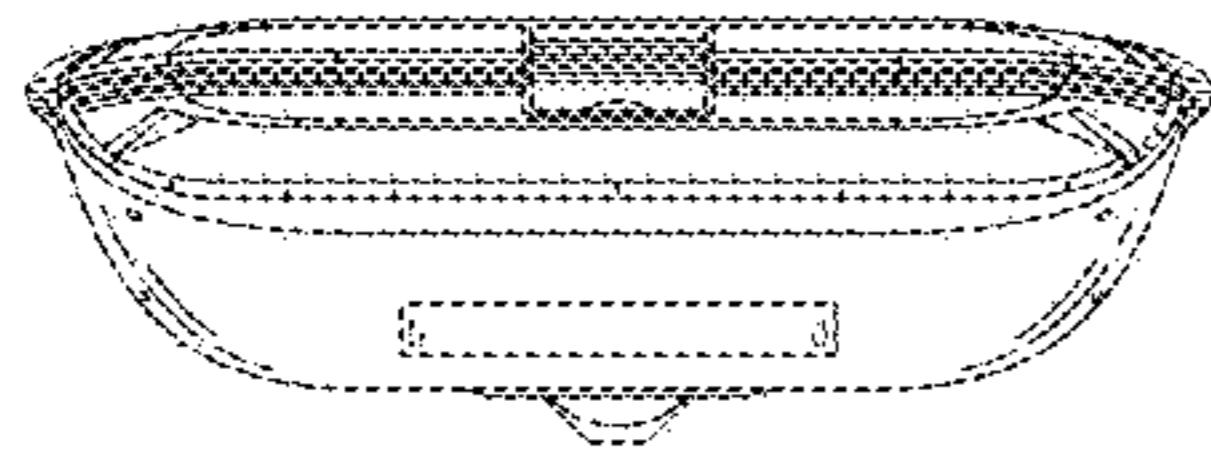


FIG. 26

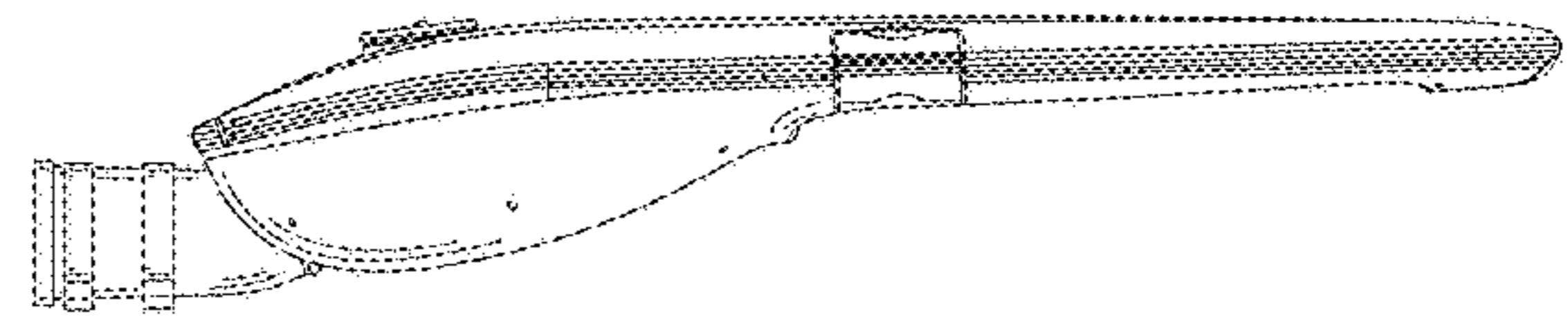


FIG. 30

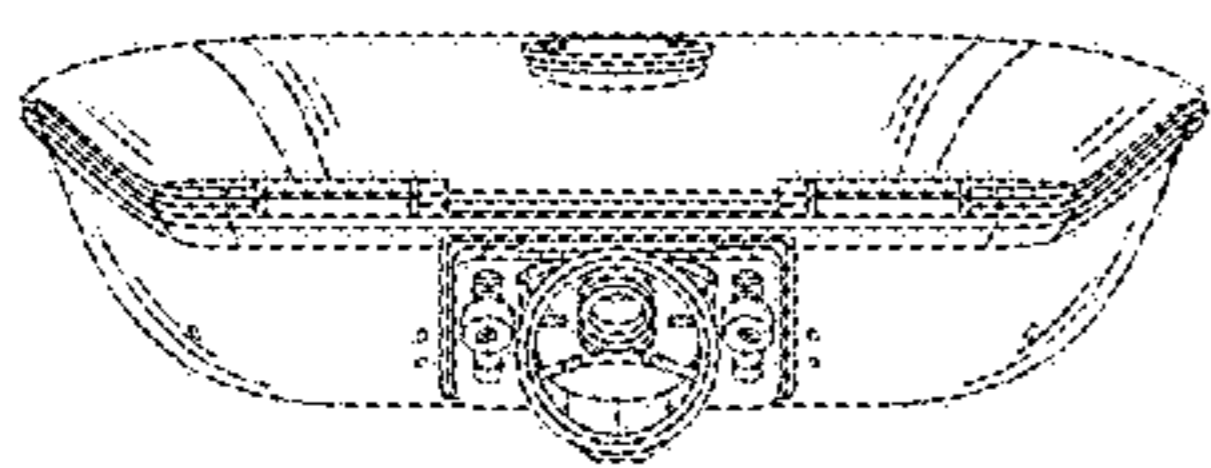


FIG. 27

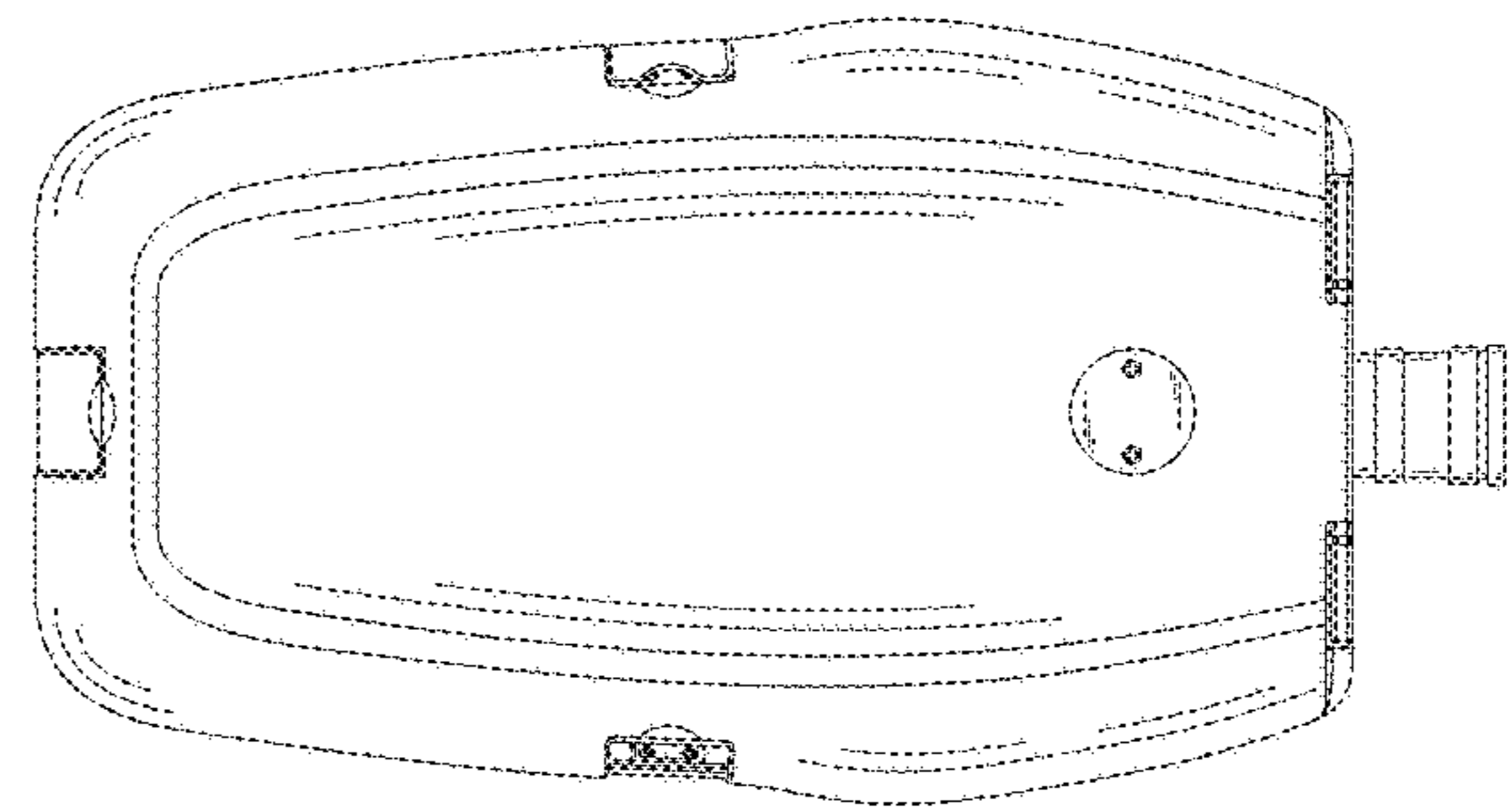


FIG. 31

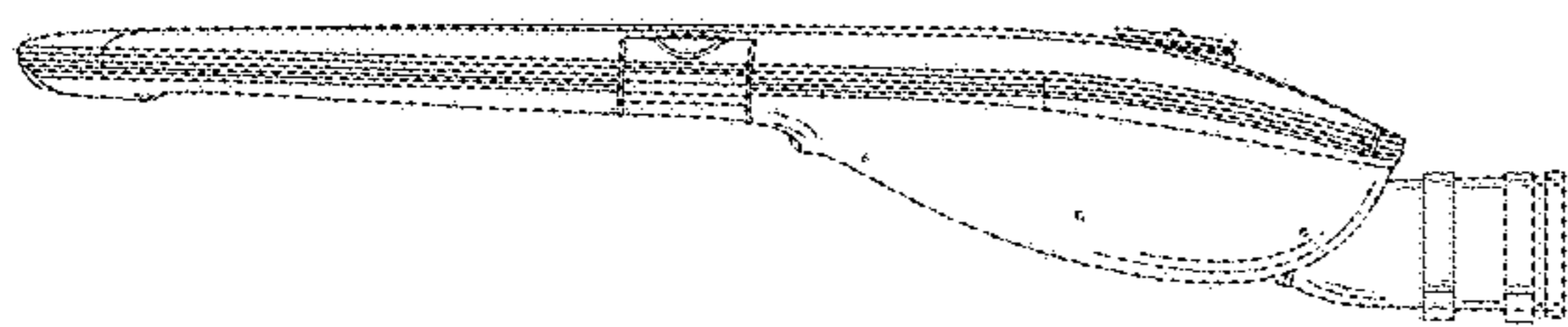


FIG. 28

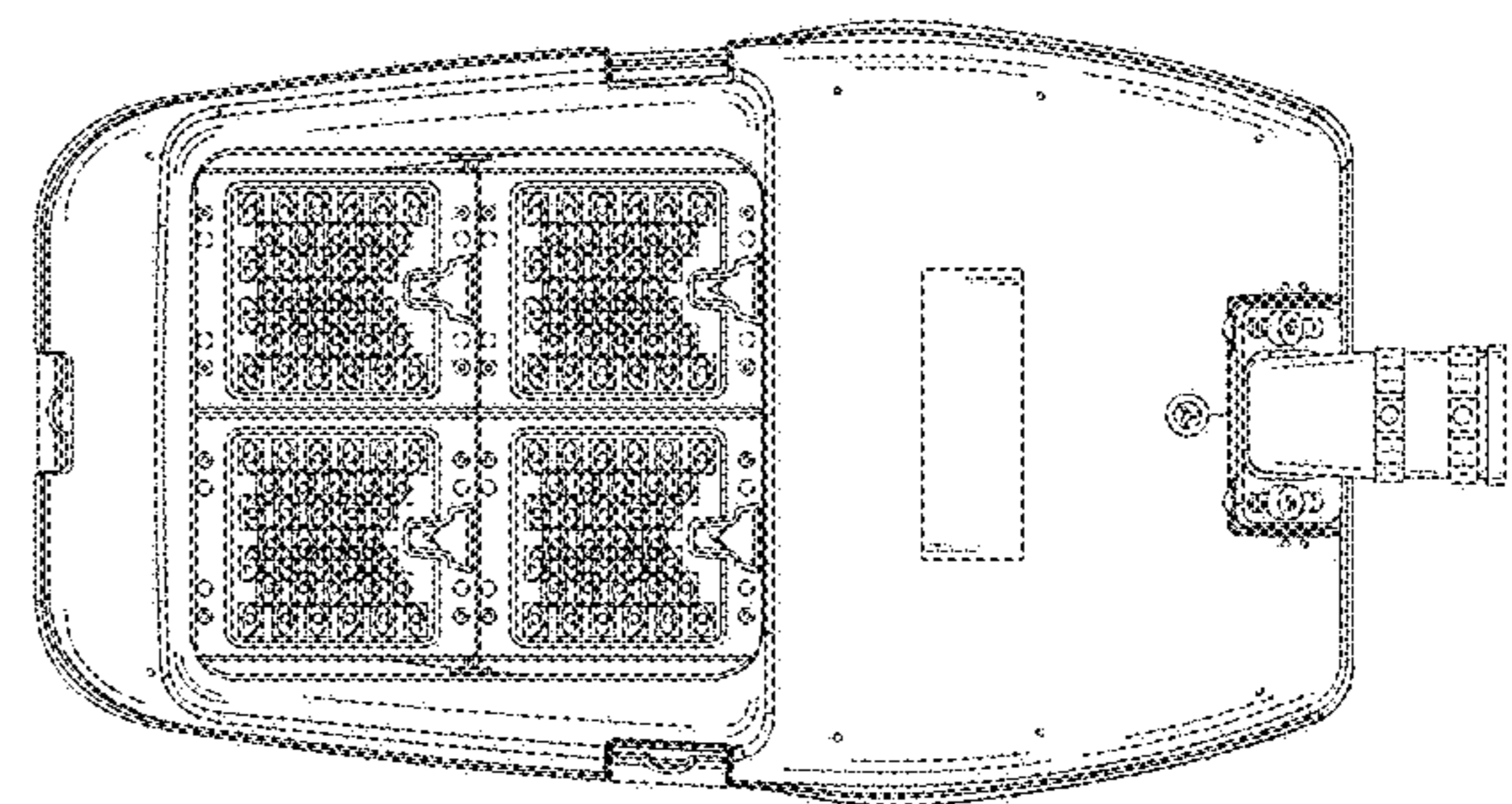


FIG. 32