



US00D855857S

(12) **United States Design Patent**
Eustace et al.

(10) **Patent No.:** **US D855,857 S**

(45) **Date of Patent:** **** Aug. 6, 2019**

(54) **LIGHTING ASSEMBLY**

(71) Applicant: **Mole Richardson Co., LLC**

(72) Inventors: **Brian Eustace**, Sierra Madre, CA (US);
Joshue Martinez, Los Angeles, CA (US); **Devon Jansen**, Tujunga, CA (US); **Sumanth Nandikanti**, Los Angeles, CA (US)

(**) Term: **15 Years**

(21) Appl. No.: **29/622,319**

(22) Filed: **Oct. 16, 2017**

(51) **LOC (12) Cl.** **26-03**

(52) **U.S. Cl.**
USPC **D26/65**

(58) **Field of Classification Search**
USPC D26/1, 24, 61, 63, 65, 85, 92
CPC F21V 21/14; F21V 15/01; F21V 14/02;
F21V 21/30; F21V 21/00; F21V 14/00;
F21S 8/00; F21S 8/003; F21S 8/043;
F21Y 2105/001

See application file for complete search history.

(56) **References Cited**

U.S. PATENT DOCUMENTS

D735,385 S * 7/2015 Lee D26/63
D735,388 S * 7/2015 Schlegel D26/63

D750,826 S * 3/2016 Jonischkeit D26/61
D751,234 S * 3/2016 Eustace D26/63
D759,280 S * 6/2016 Moller D26/63
D783,874 S * 4/2017 Moller D26/63
D815,327 S * 4/2018 Moller D26/63

* cited by examiner

Primary Examiner — Brian N. Vinson

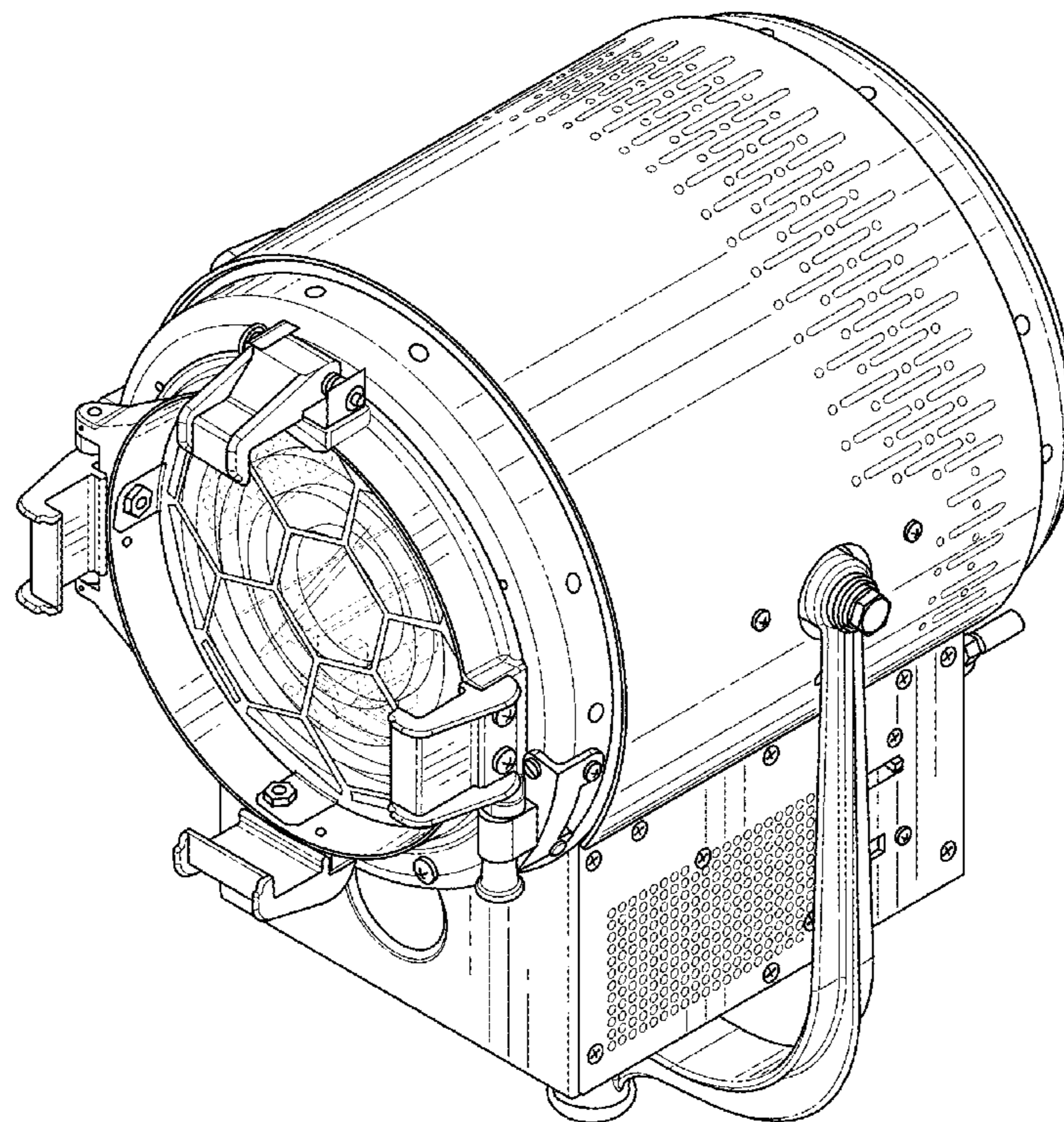
(57) **CLAIM**

The ornamental design for a lighting assembly, as shown and described.

DESCRIPTION

FIG. 1 is a perspective, front view of a lighting assembly according to one embodiment.
FIG. 2 is a front view of the lighting assembly of FIG. 1.
FIG. 3 is a back view of the lighting assembly of FIG. 1.
FIG. 4 is a left side view of the lighting assembly of FIG. 1.
FIG. 5 is a right side view of the lighting assembly of FIG. 1.
FIG. 6 is a top view of the lighting assembly of FIG. 1; and, FIG. 7 is a bottom view of the lighting assembly of FIG. 1.
The broken lines shown represent unclaimed subject matter and form no part of the claimed design.

1 Claim, 7 Drawing Sheets



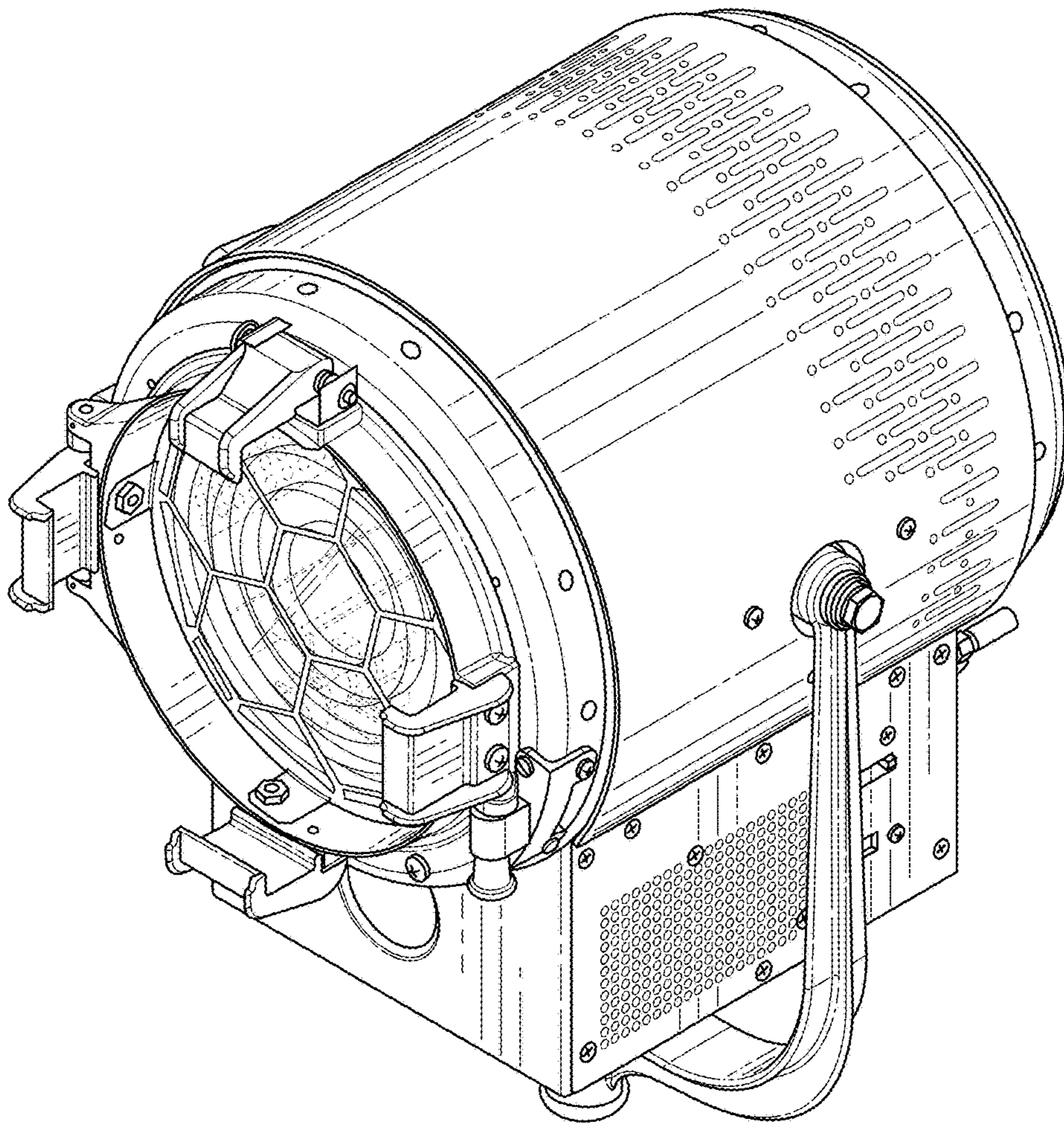


FIG. 1

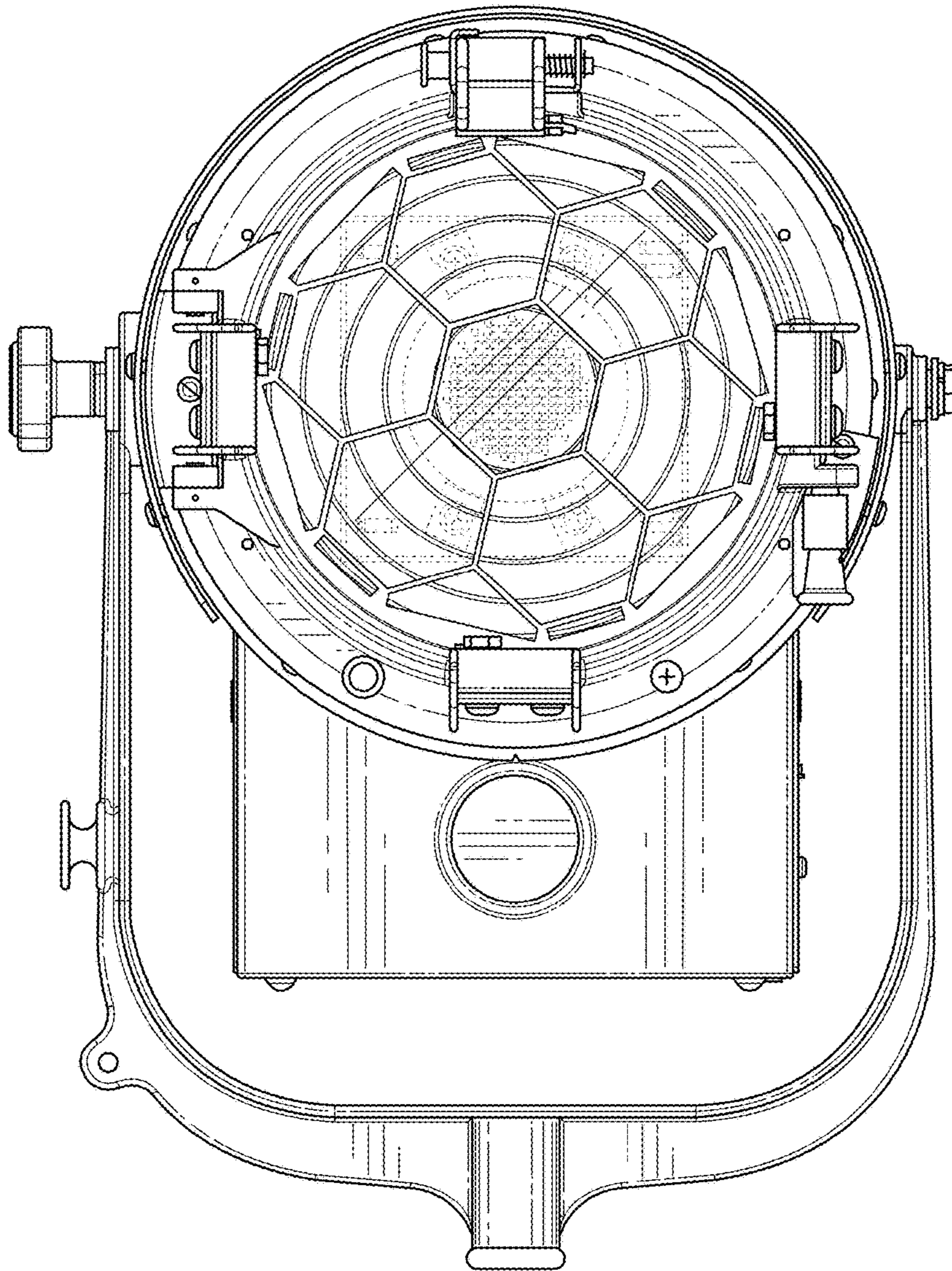


FIG. 2

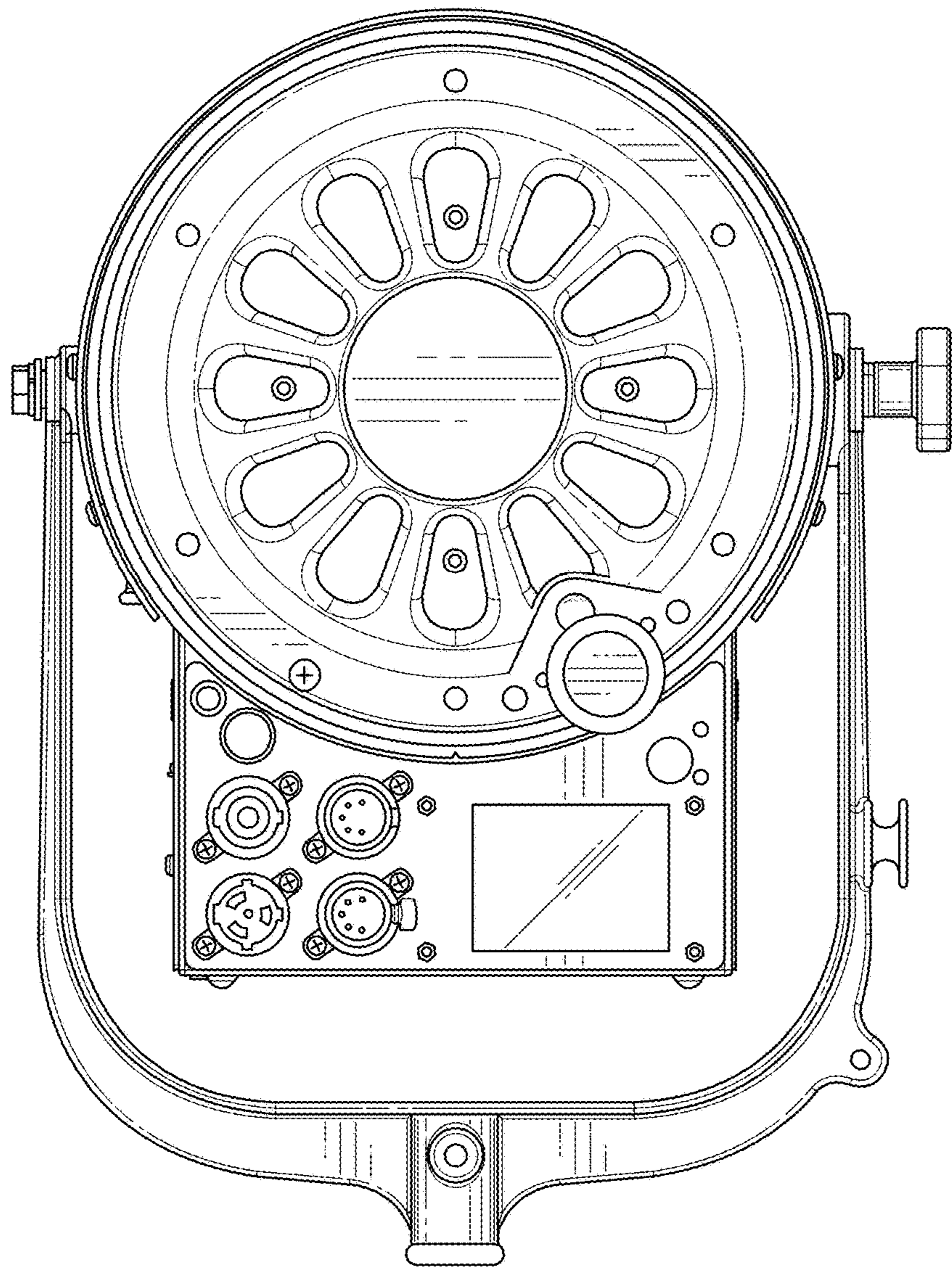


FIG. 3

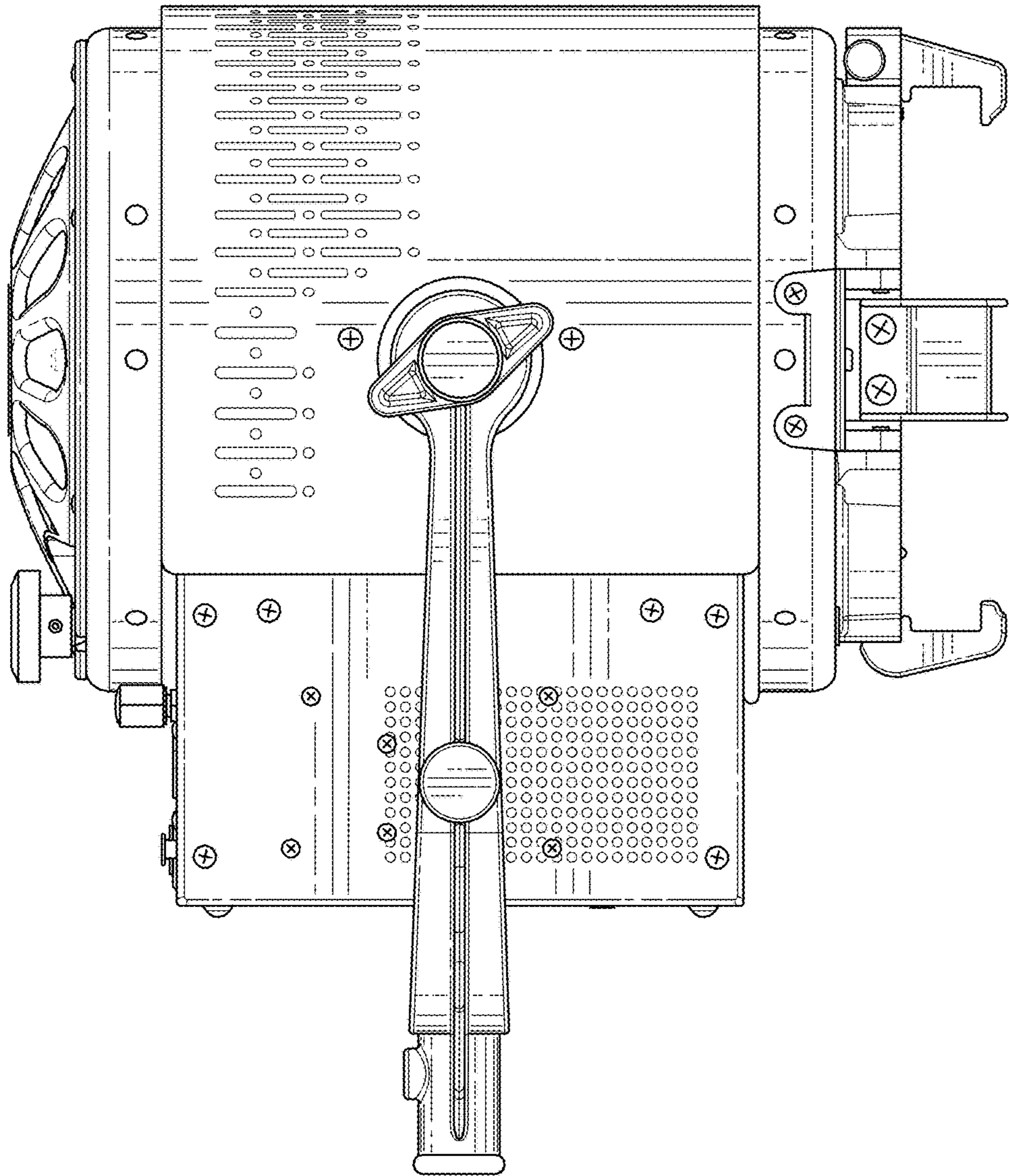


FIG. 4

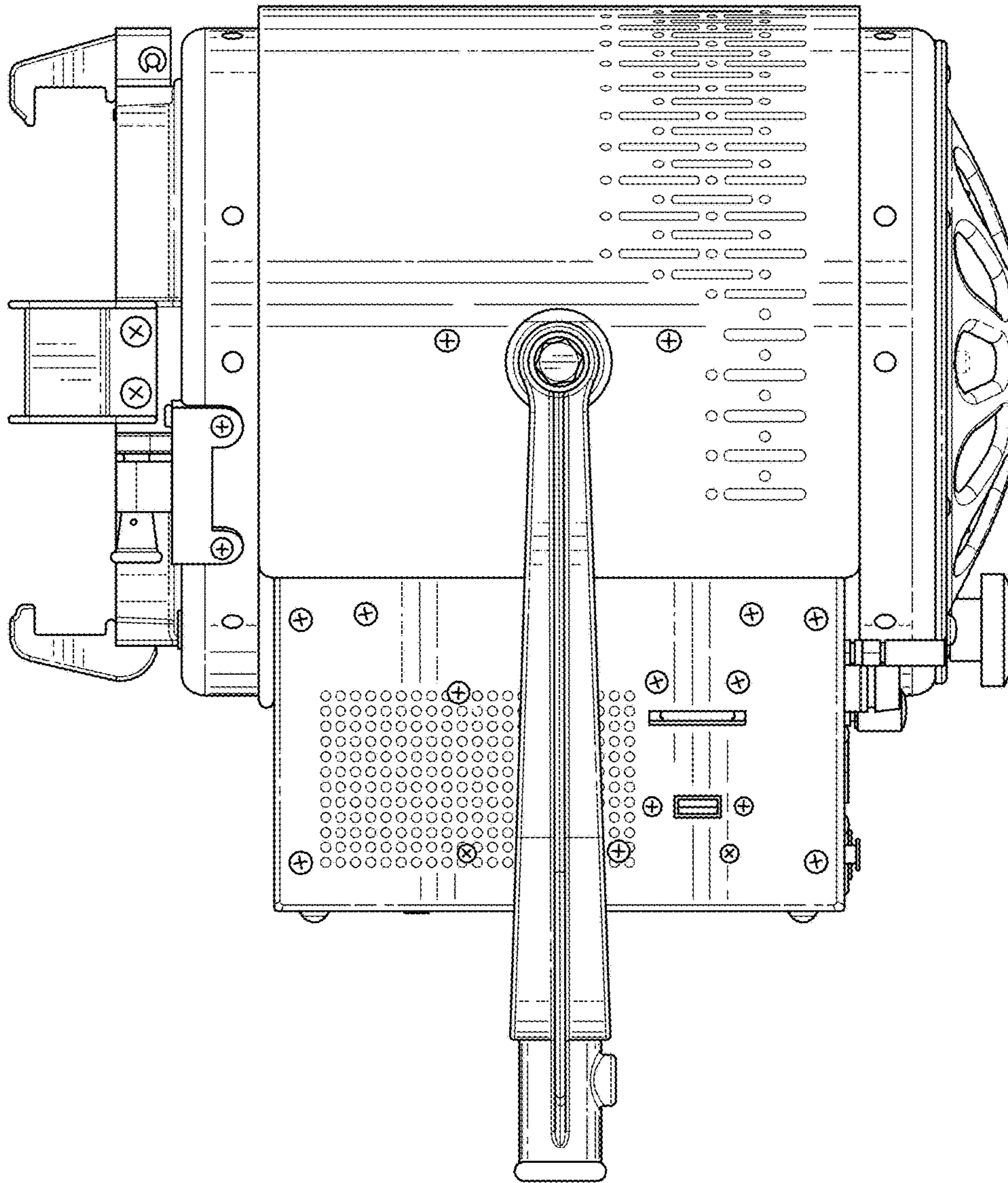


FIG. 5

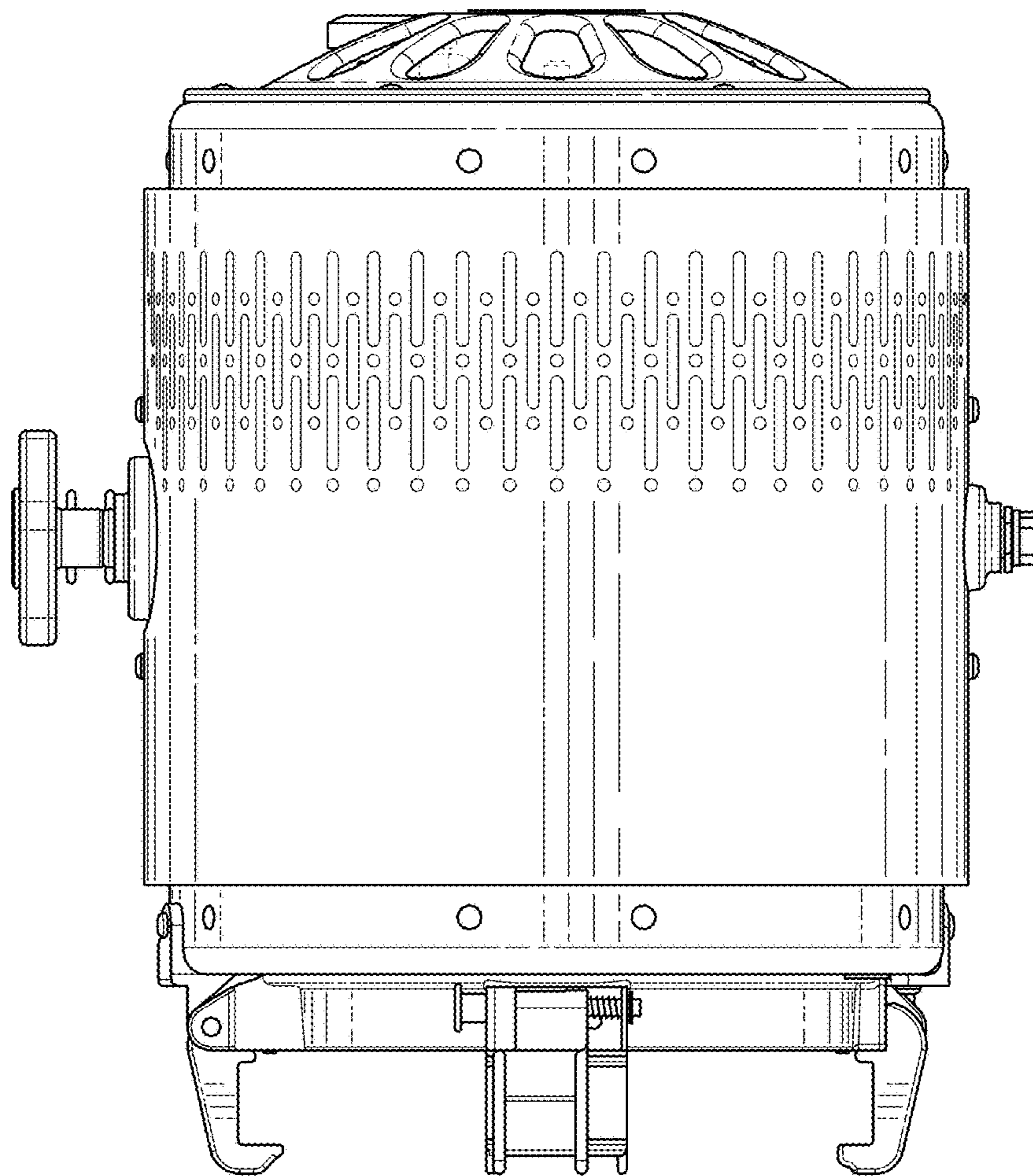


FIG. 6

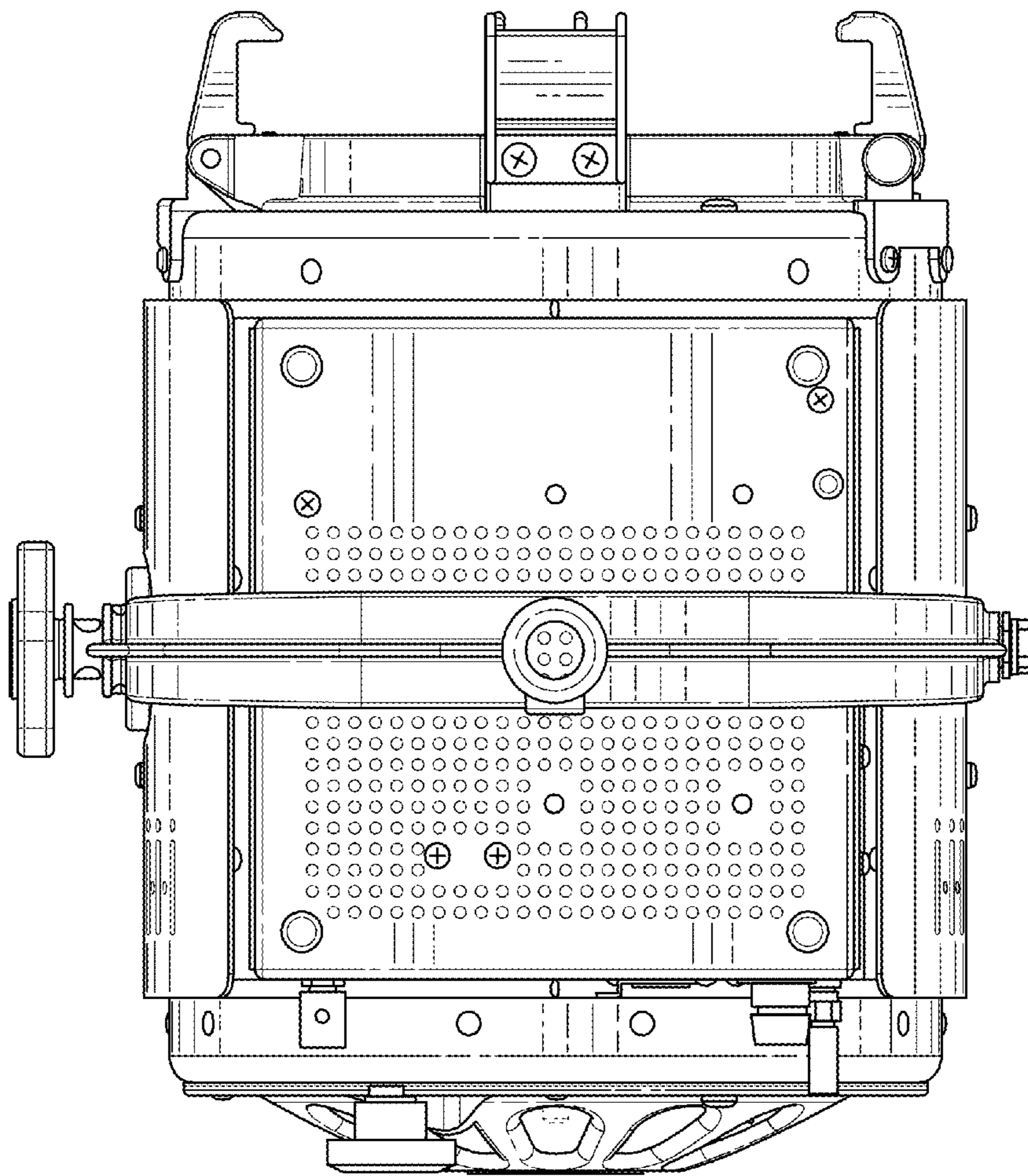


FIG. 7