



US00D855856S

(12) **United States Design Patent**
Du et al.

(10) **Patent No.:** **US D855,856 S**

(45) **Date of Patent:** **** Aug. 6, 2019**

(54) **SPOTLIGHT**

(71) Applicant: **Shenzhen Fluence Technology PLC.**,
Shenzhen, Guangdong Province (CN)

(72) Inventors: **Jianjun Du**, Shenzhen (CN); **Wei Wang**, Shenzhen (CN); **Hao Zou**, Shenzhen (CN); **Sheng Yu**, Shenzhen (CN)

(73) Assignee: **SHENZHEN FLUENCE TECHNOLOGY PLC.**, Shenzhen, Guangdong Province (CN)

(**) Term: **15 Years**

(21) Appl. No.: **29/648,459**

(22) Filed: **May 21, 2018**

(51) **LOC (12) Cl.** **26-05**

(52) **U.S. Cl.**
USPC **D26/63**

(58) **Field of Classification Search**
USPC D26/24, 60–66, 72, 76–78, 80, 81, 83, D26/85–87, 92, 102, 113, 138, 142
CPC F21L 4/00; F21S 2/00; F21S 2/04; F21S 10/00; F21V 1/00; F21V 3/02; F21V 5/04; F21V 15/01; F21V 19/00; F21V 21/00; F21V 21/06; F21V 14/02; F21V 21/03; F21Y 2103/002; F21Y 2101/02
See application file for complete search history.

(56) **References Cited**

U.S. PATENT DOCUMENTS

D645,184 S * 9/2011 Zhan D26/63
D645,594 S * 9/2011 Grawe D26/63
D675,771 S * 2/2013 Yamada D26/118
D693,397 S * 11/2013 Zhan D16/239
D699,877 S * 2/2014 Song D26/63

D711,577 S * 8/2014 Zhan D26/65
D723,727 S * 3/2015 Moeller D26/63
D747,526 S * 1/2016 Zhang D26/63
D761,472 S * 7/2016 Zhu D26/63
D789,582 S * 6/2017 Peard D26/61
D797,338 S * 9/2017 Wang D26/63
D799,094 S * 10/2017 Li D26/63
D799,729 S * 10/2017 Zhong D26/63
D803,449 S * 11/2017 Xu D26/63
D814,678 S * 4/2018 Zhan D26/63
2009/0116247 A1 * 5/2009 Kauffman F21V 15/01
362/346
2009/0196037 A1 * 8/2009 Xiao F21V 21/30
362/249.03

FOREIGN PATENT DOCUMENTS

CN 201730365416.8 * 10/2017
CN 208418317 * 1/2019

* cited by examiner

Primary Examiner — Angela J Lee

Assistant Examiner — Shawn T Gingrich

(74) *Attorney, Agent, or Firm* — Cheng-Ju Chiang

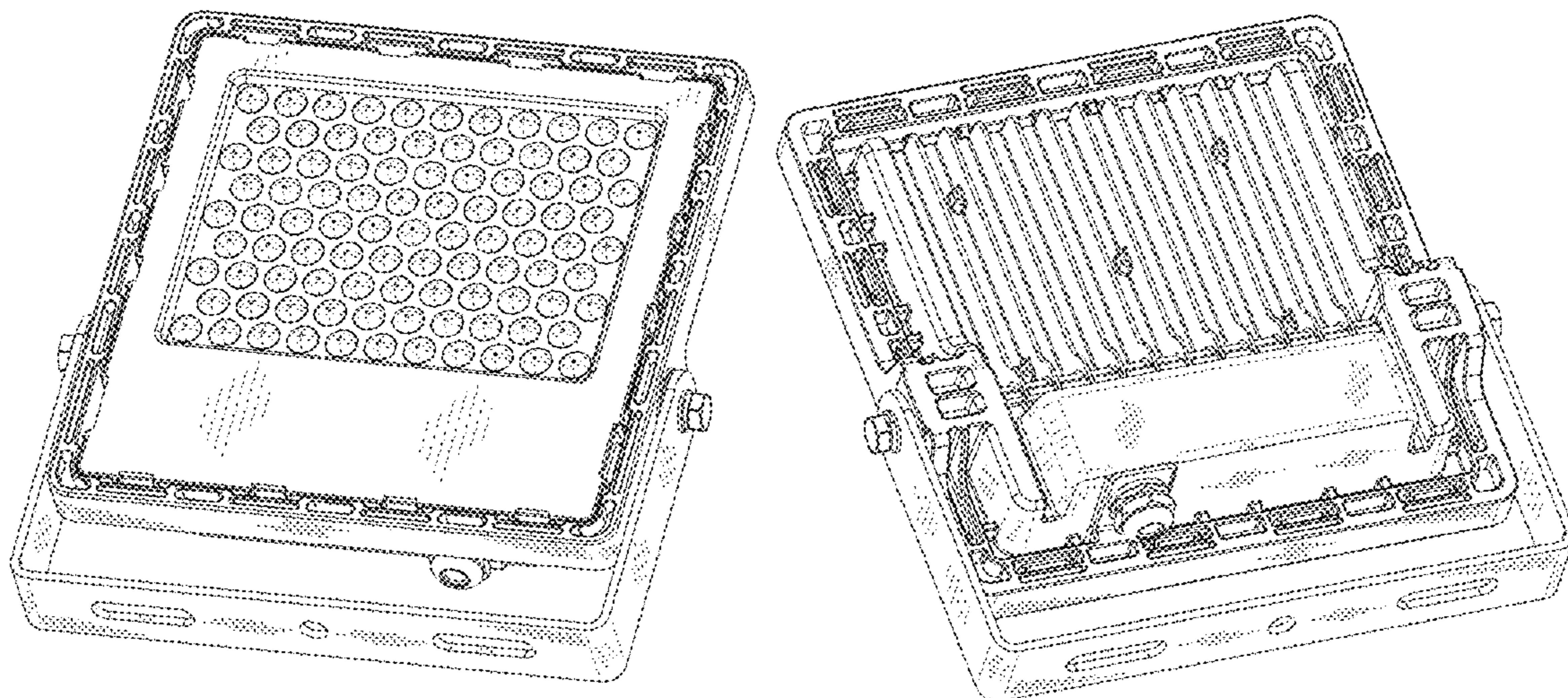
(57) **CLAIM**

The ornamental design for a spotlight, as shown and described.

DESCRIPTION

FIG. 1 is a perspective view of a spotlight;
FIG. 2 is a perspective view of the spotlight of FIG. 1 but shown from another aspect;
FIG. 3 is a front elevational view thereof;
FIG. 4 is a rear elevational view thereof;
FIG. 5 is a left side elevational view thereof;
FIG. 6 is a right side elevational view thereof;
FIG. 7 is a top plan view thereof; and,
FIG. 8 is a bottom plan view thereof.

1 Claim, 8 Drawing Sheets



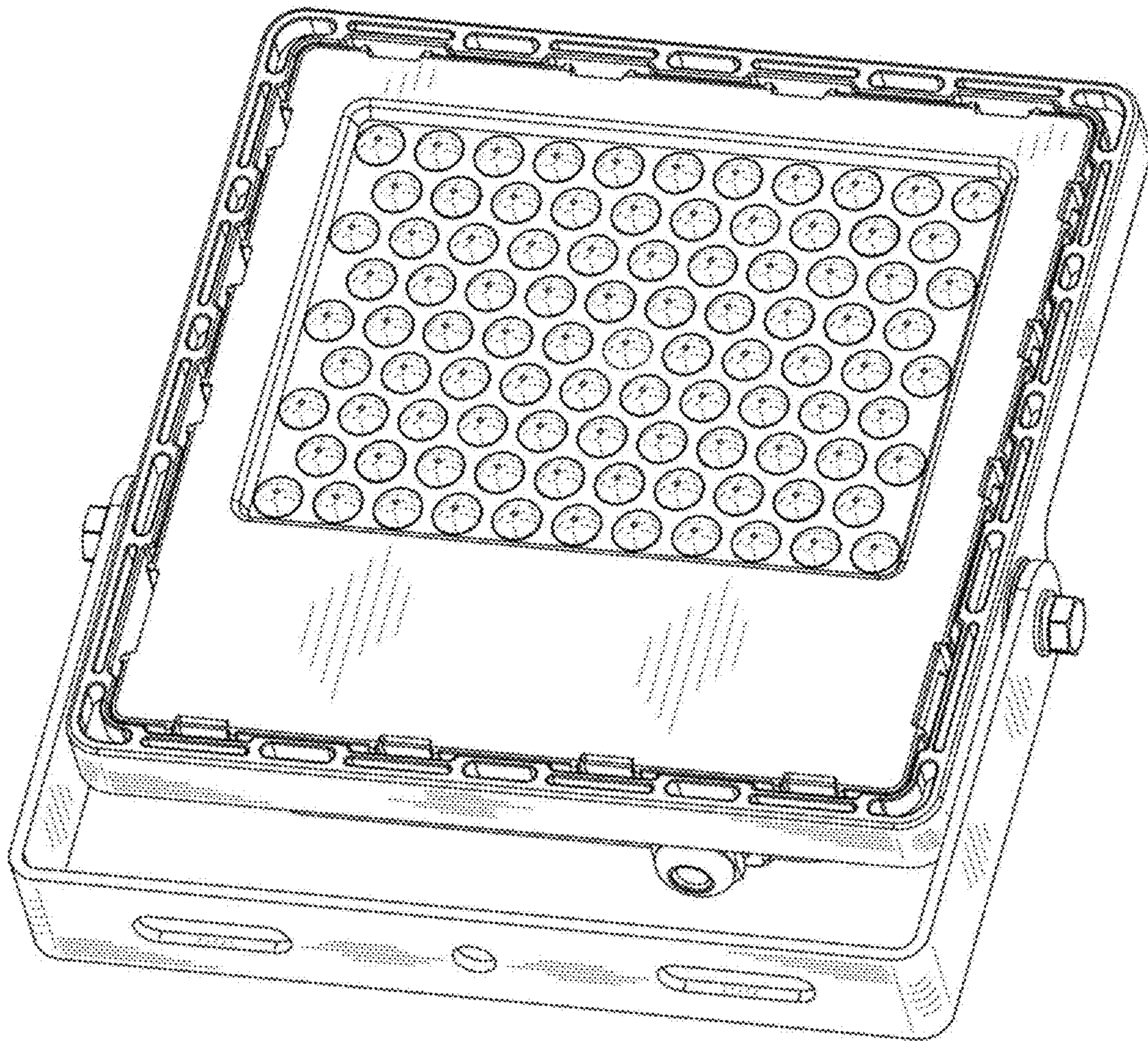


Fig. 1

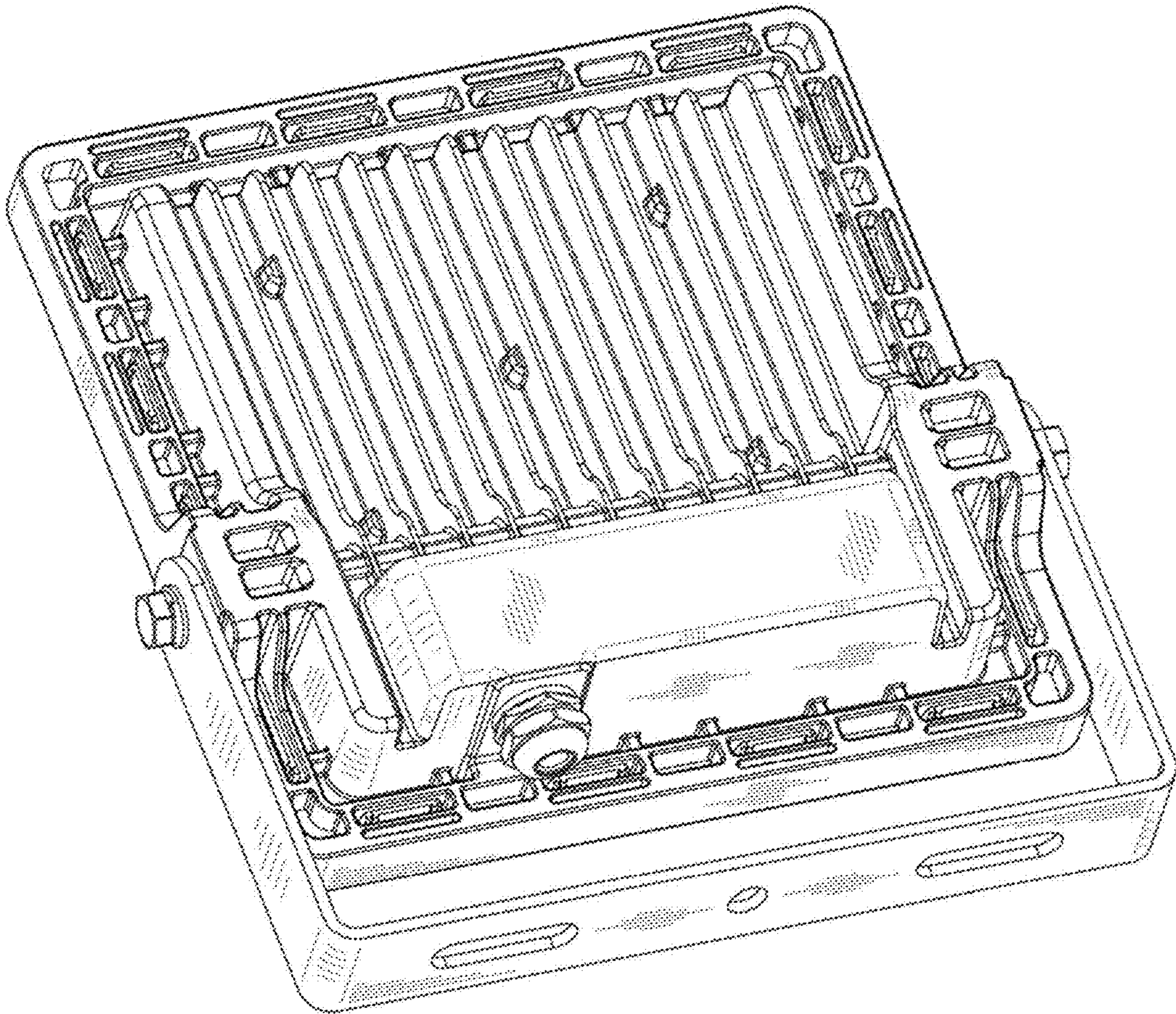


Fig. 2

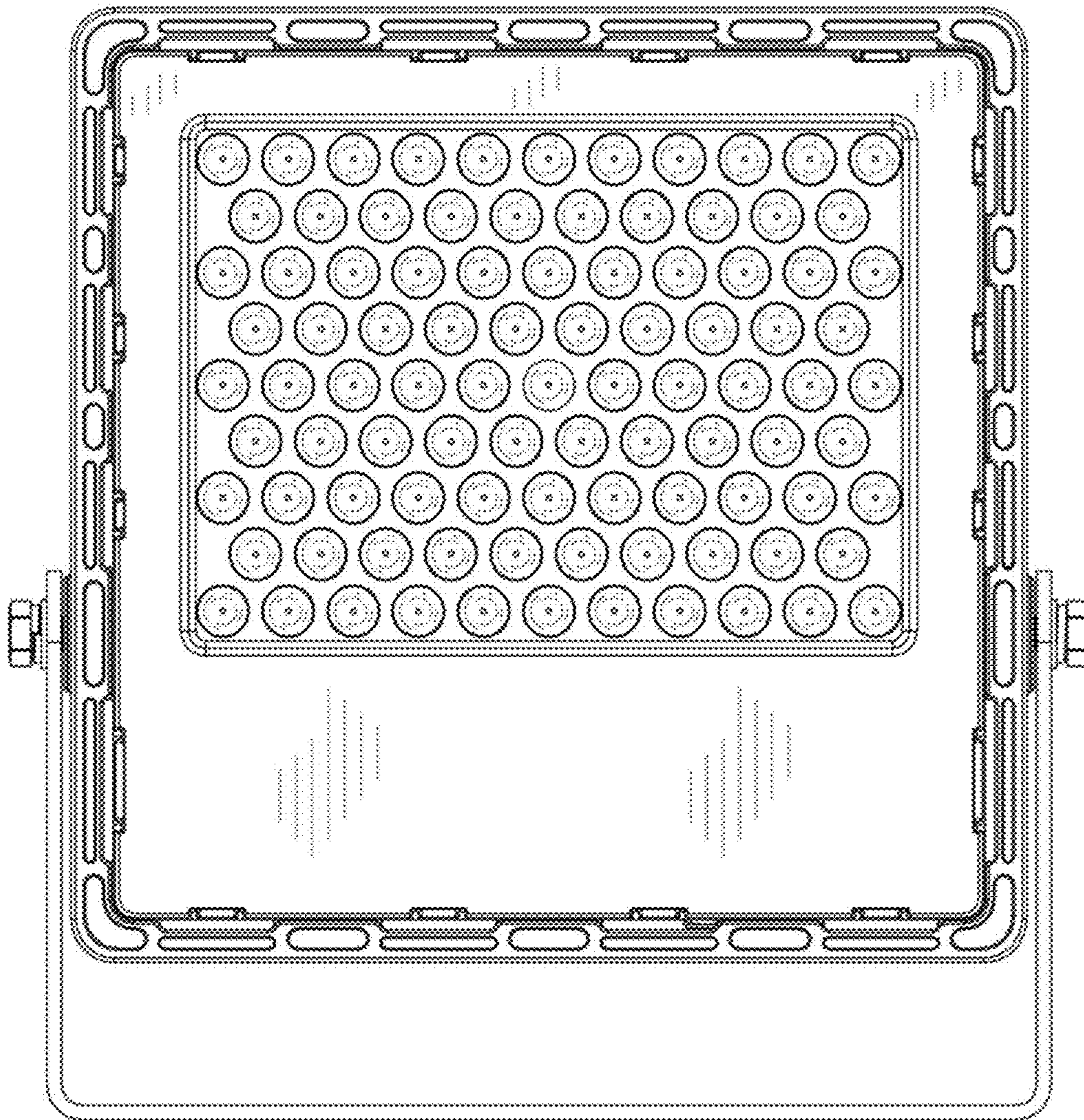


Fig. 3

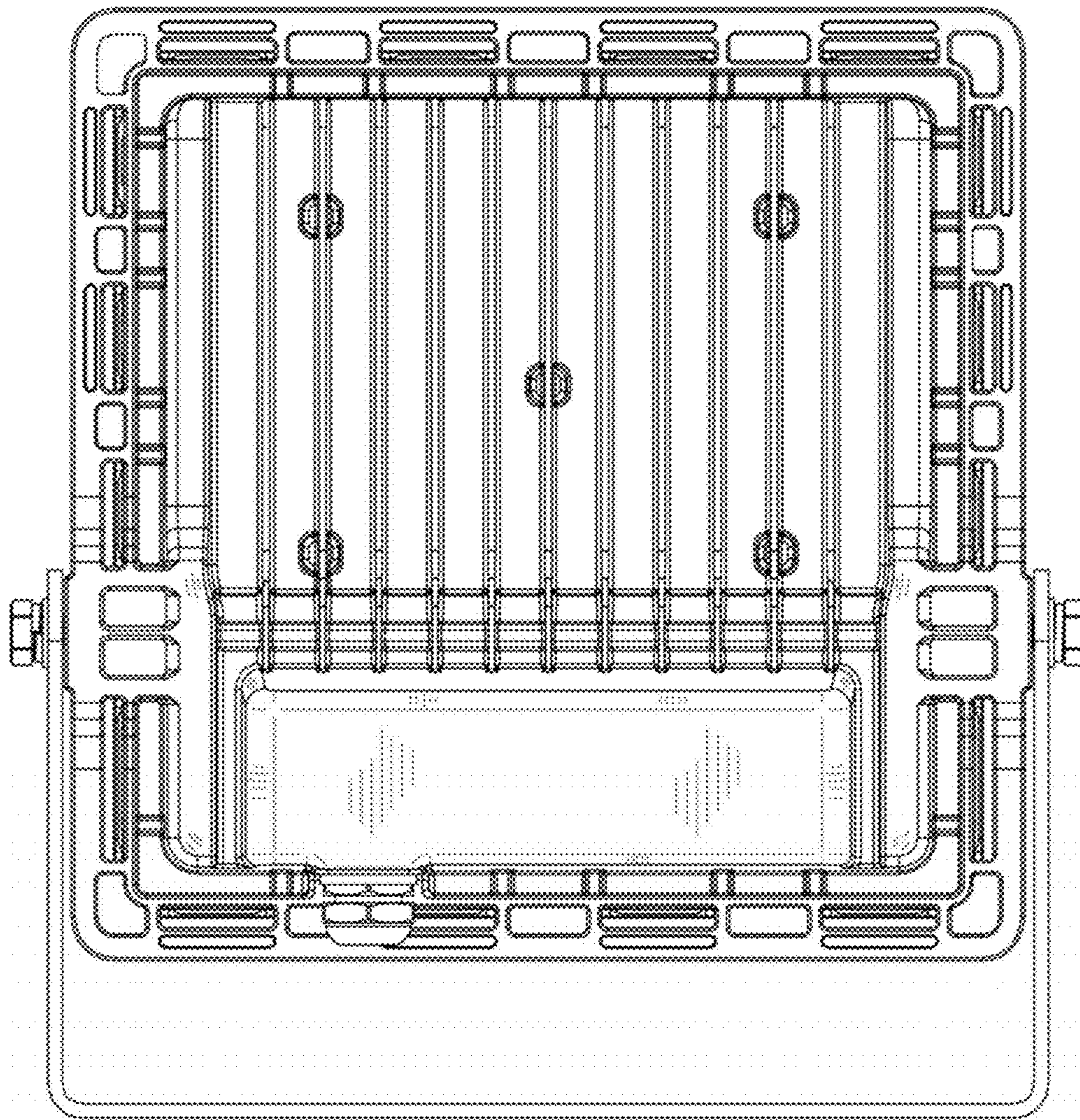


Fig. 4

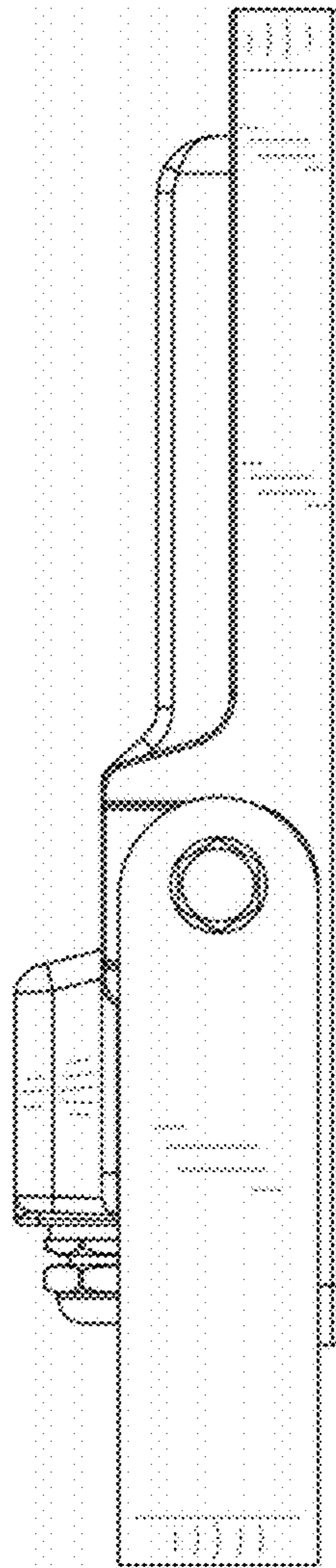


Fig. 5

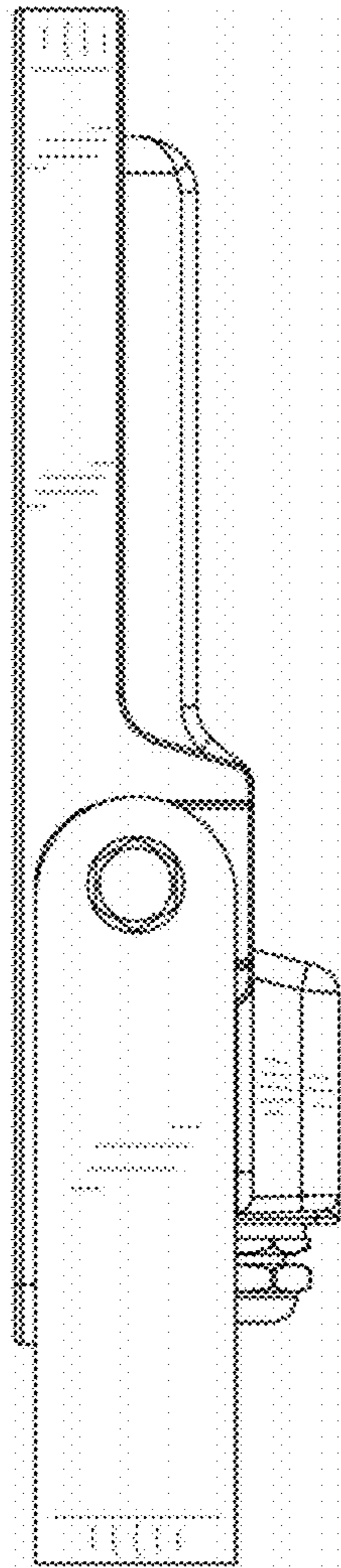


Fig. 6

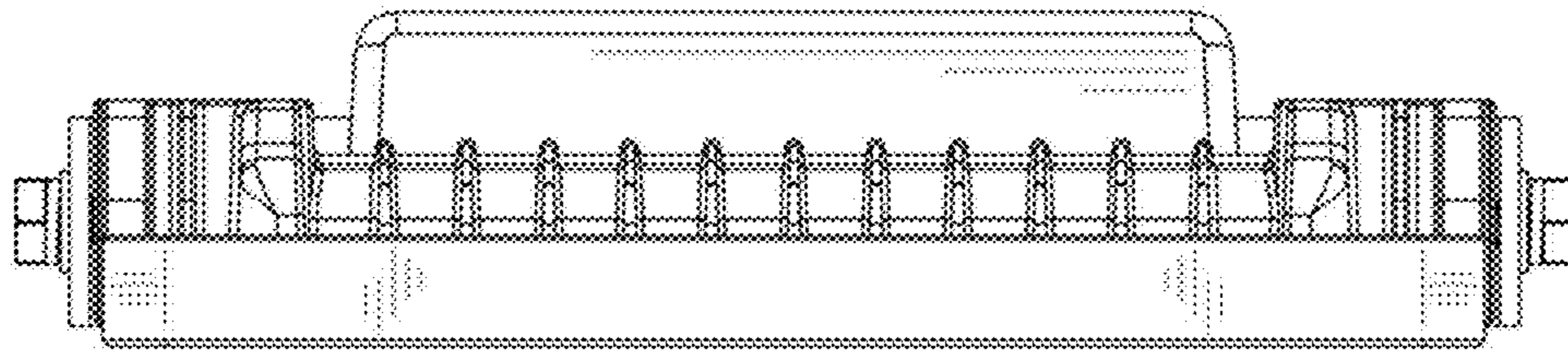


Fig. 7

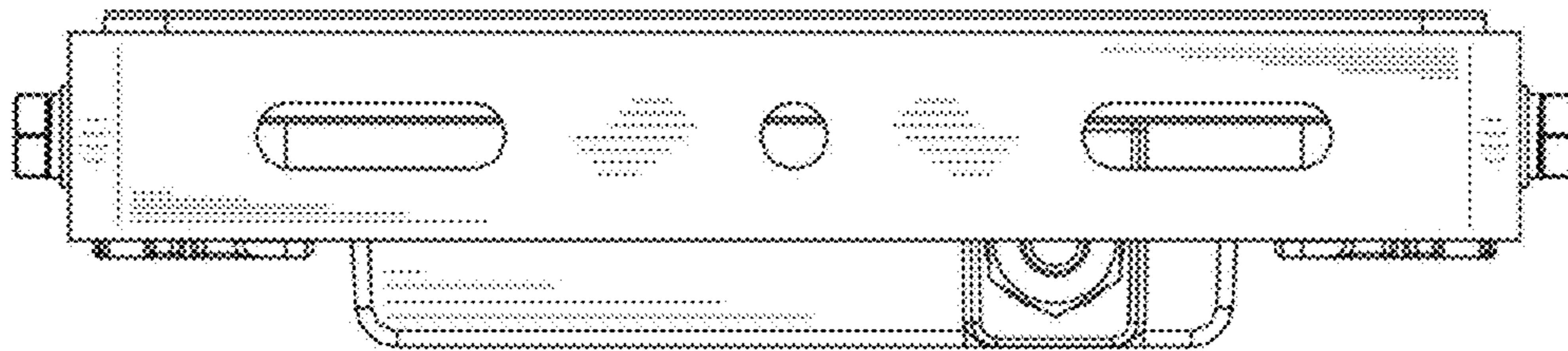


Fig. 8