



US00D855854S

(12) **United States Design Patent**
Cao et al.

(10) **Patent No.:** **US D855,854 S**

(45) **Date of Patent:** **** Aug. 6, 2019**

(54) **PORTABLE LED WORK LIGHT**

(71) Applicant: **JIUJIANG TANJEON TECHNOLOGY CO. LTD.**, Jiujiang, Jiangxi (CN)

(72) Inventors: **Junjun Cao**, Zhejiang (CN); **Zhaosheng Zeng**, Zhejiang (CN); **Feiyun Chen**, Zhejiang (CN); **Zhulin Lin**, Zhejiang (CN)

(73) Assignee: **JIUJIANG TANJEON TECHNOLOGY CO., LTD.** (CN)

(**) Term: **15 Years**

(21) Appl. No.: **29/608,836**

(22) Filed: **Jun. 26, 2017**

(30) **Foreign Application Priority Data**

May 5, 2017 (CN) 2017 3 0162121

(51) **LOC (12) Cl.** **26-03**

(52) **U.S. Cl.**
USPC **D26/63**

(58) **Field of Classification Search**
USPC D26/1, 24, 61, 63, 65, 85, 92
CPC F21V 21/14; F21V 15/01; F21V 14/02;
F21V 21/30; F21V 21/00; F21V 14/00;
F21S 8/00; F21S 8/003; F21S 8/043;
F21Y 2105/001

See application file for complete search history.

(56) **References Cited**

U.S. PATENT DOCUMENTS

D732,220 S *	6/2015	Bao	D26/63
D735,387 S *	7/2015	Bao	D26/63
D750,307 S *	2/2016	Borring	D26/63
D766,481 S *	9/2016	Lipson	D26/63
D779,095 S *	2/2017	Xu	D26/63

* cited by examiner

Primary Examiner — Brian N. Vinson

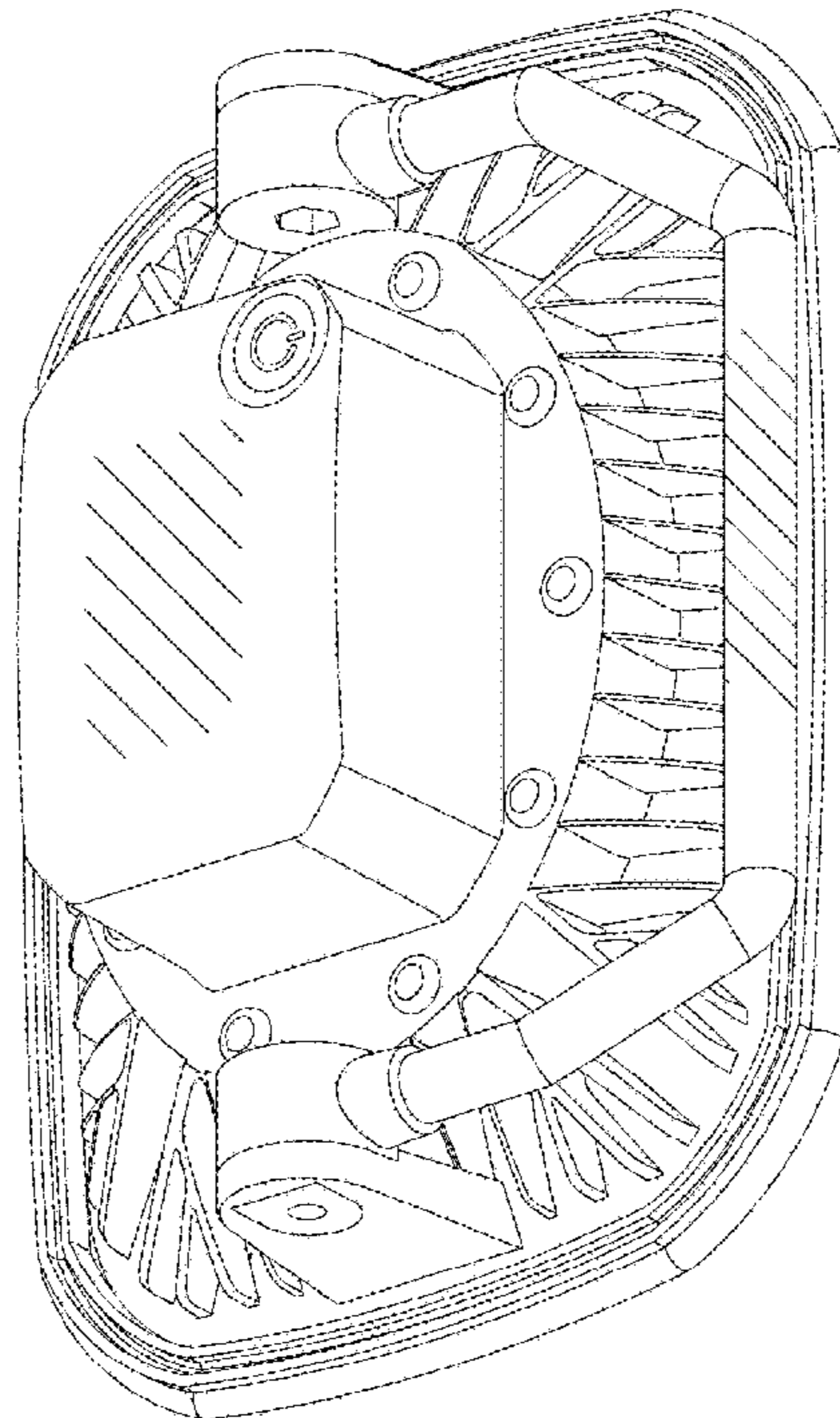
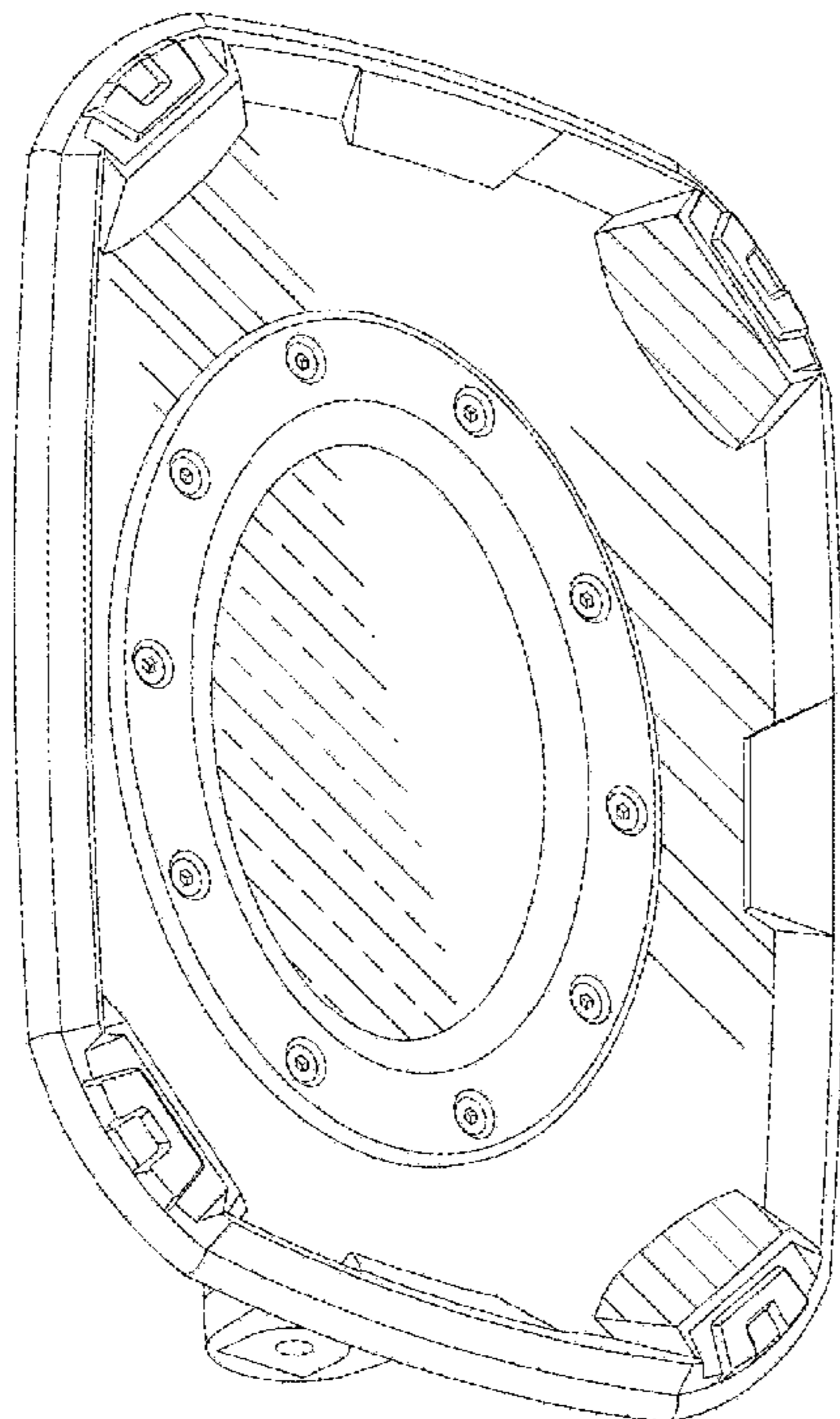
(57) **CLAIM**

The ornamental design for a portable LED work light, as shown and described.

DESCRIPTION

FIG. 1 is a front view of the portable LED work light showing our new design;
FIG. 2 is a back view thereof;
FIG. 3 is a left side view thereof;
FIG. 4 is a right side view thereof;
FIG. 5 is a top view thereof;
FIG. 6 is a bottom view thereof;
FIG. 7 is a perspective view thereof; and,
FIG. 8 is another perspective view thereof.

1 Claim, 8 Drawing Sheets



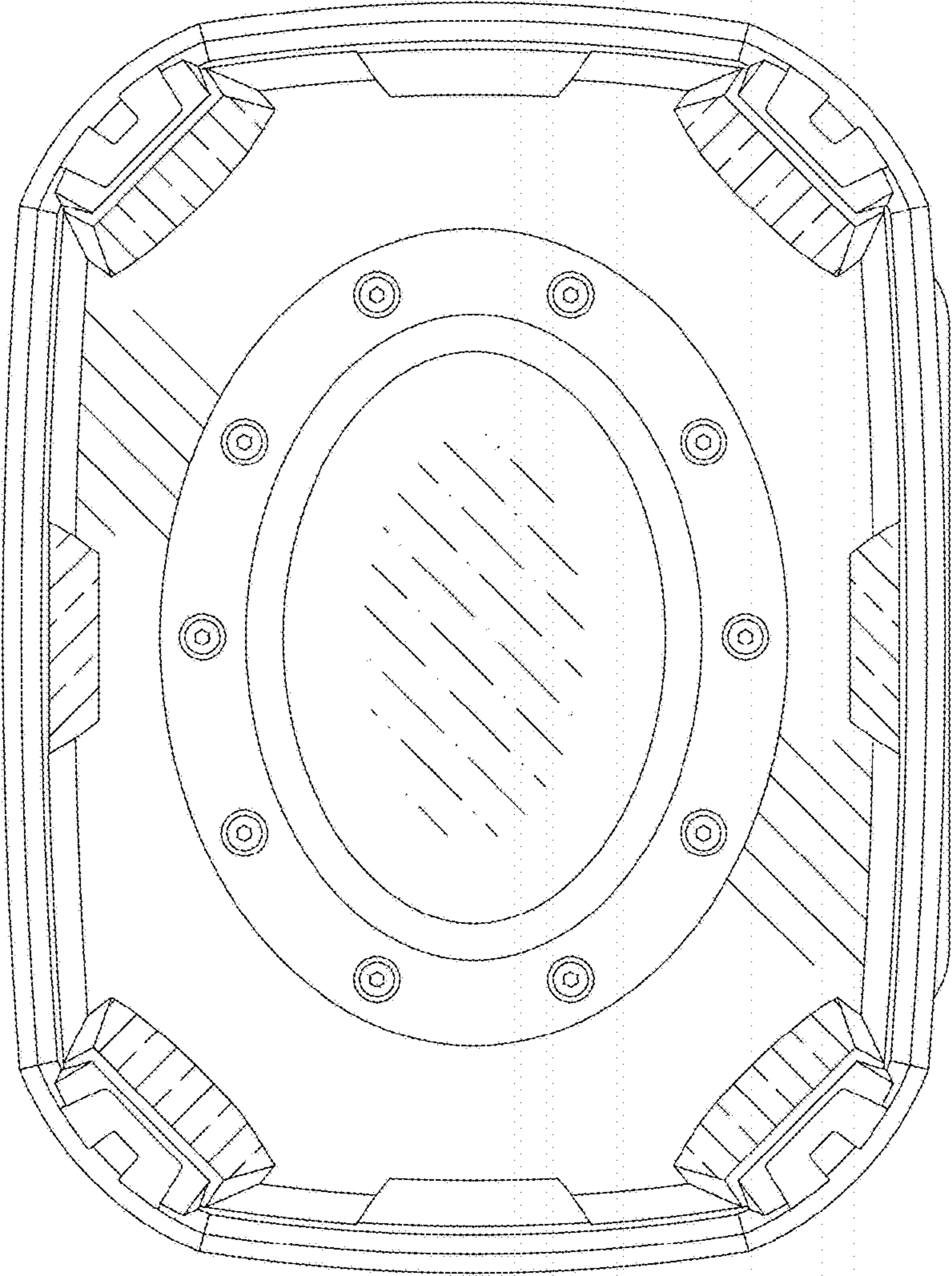


FIG. 1

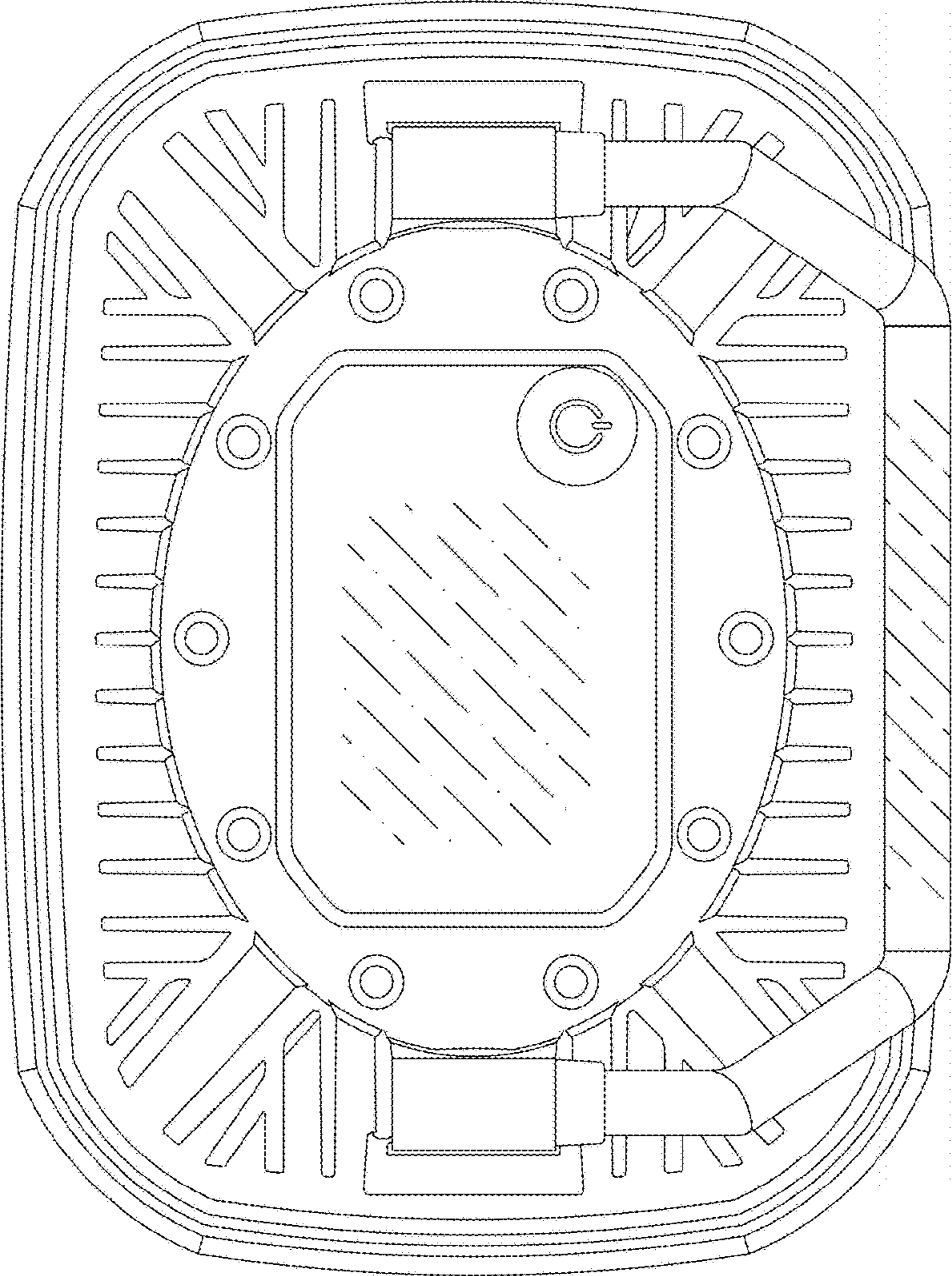


FIG. 2

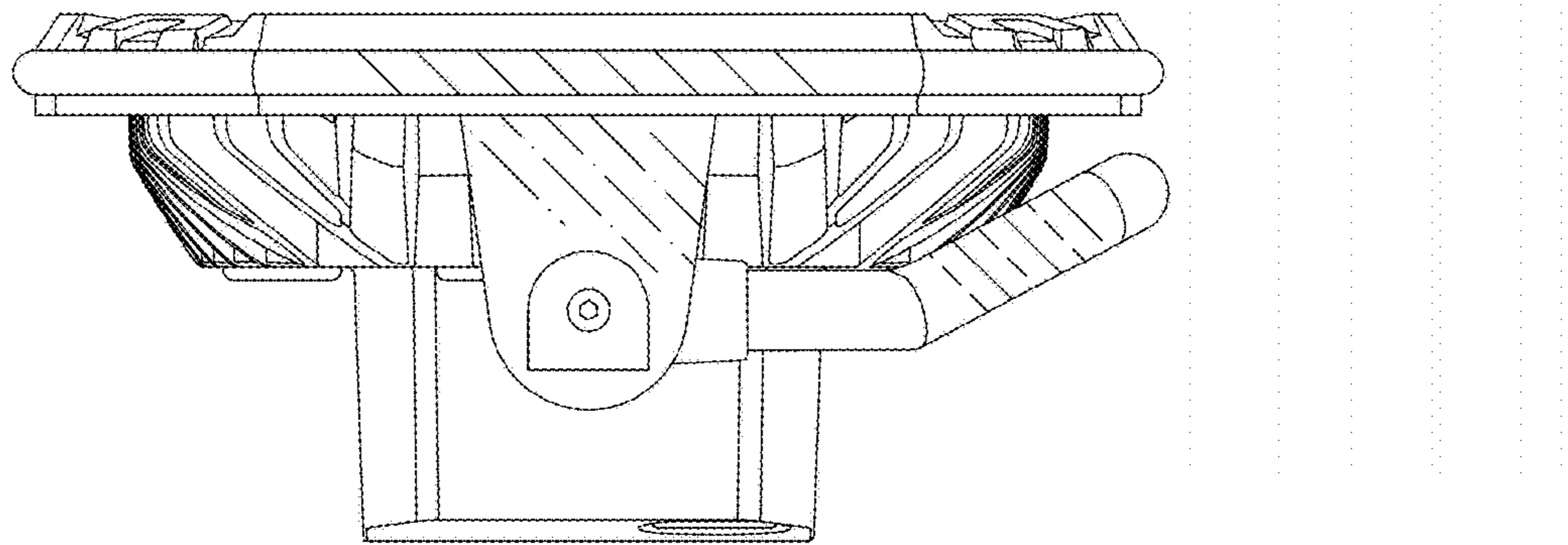


FIG. 3

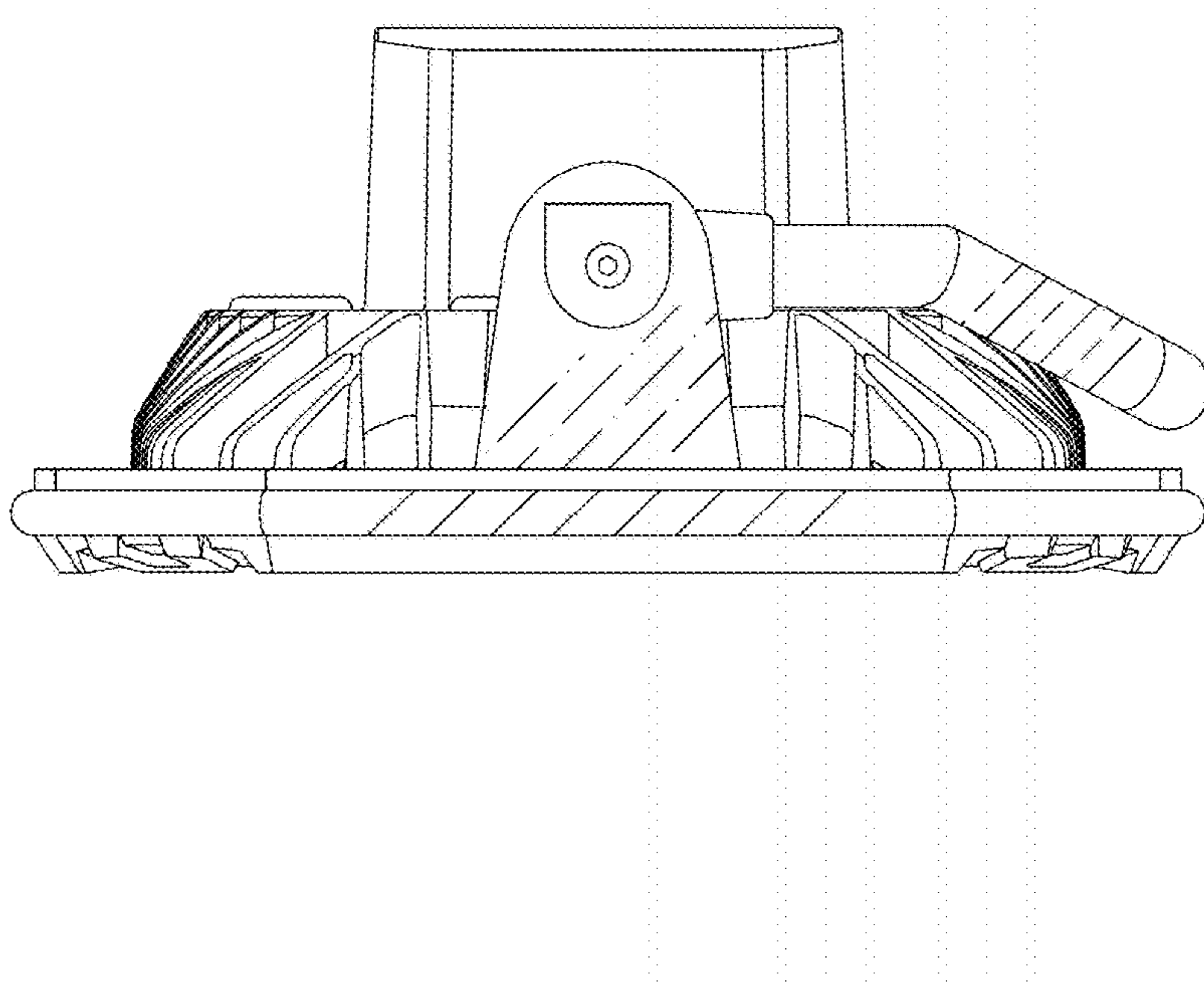


FIG. 4

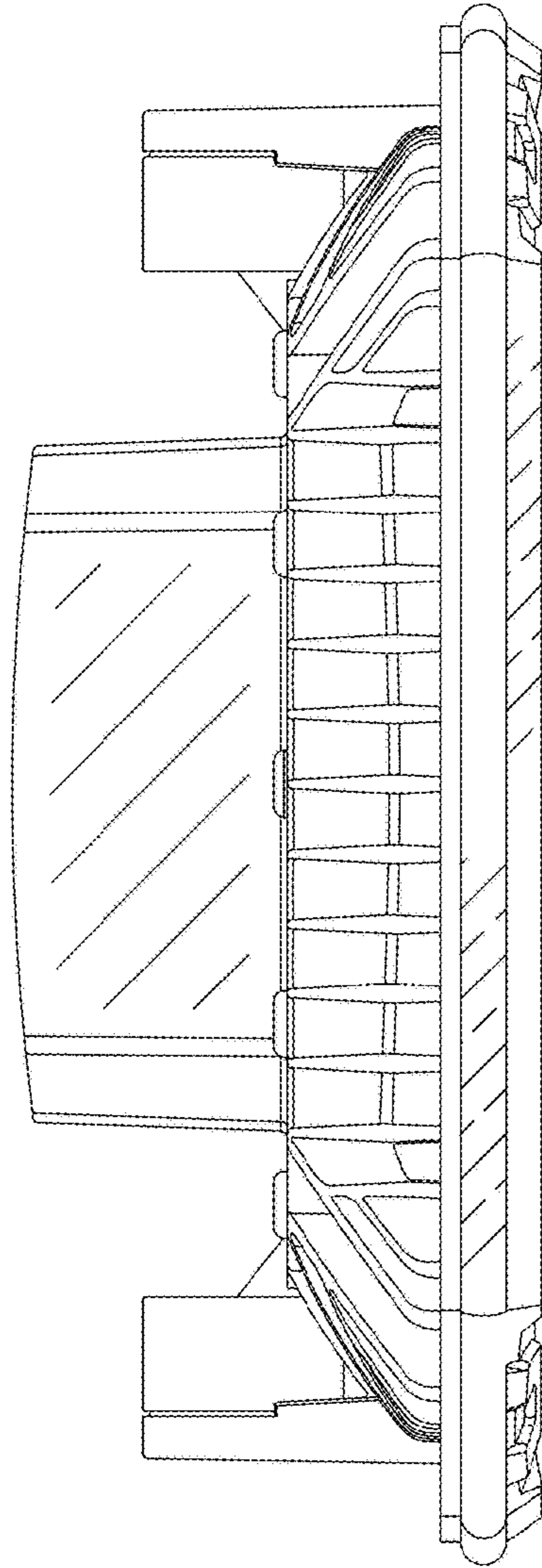


FIG. 5

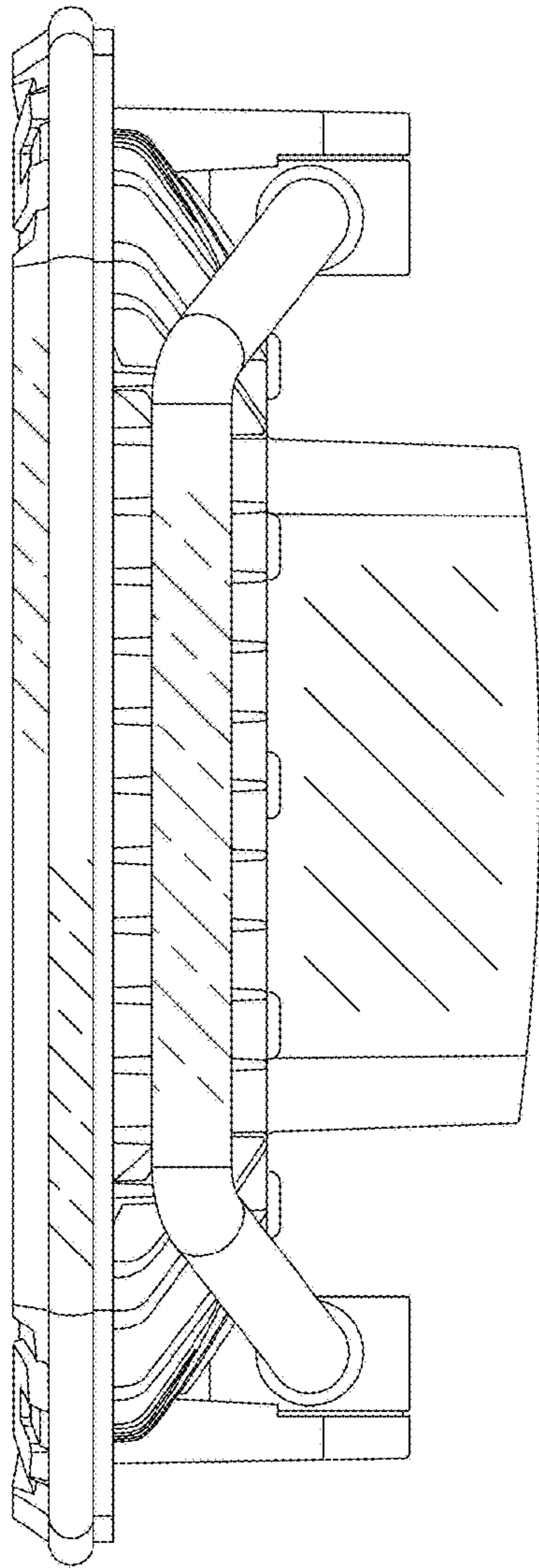


FIG. 6

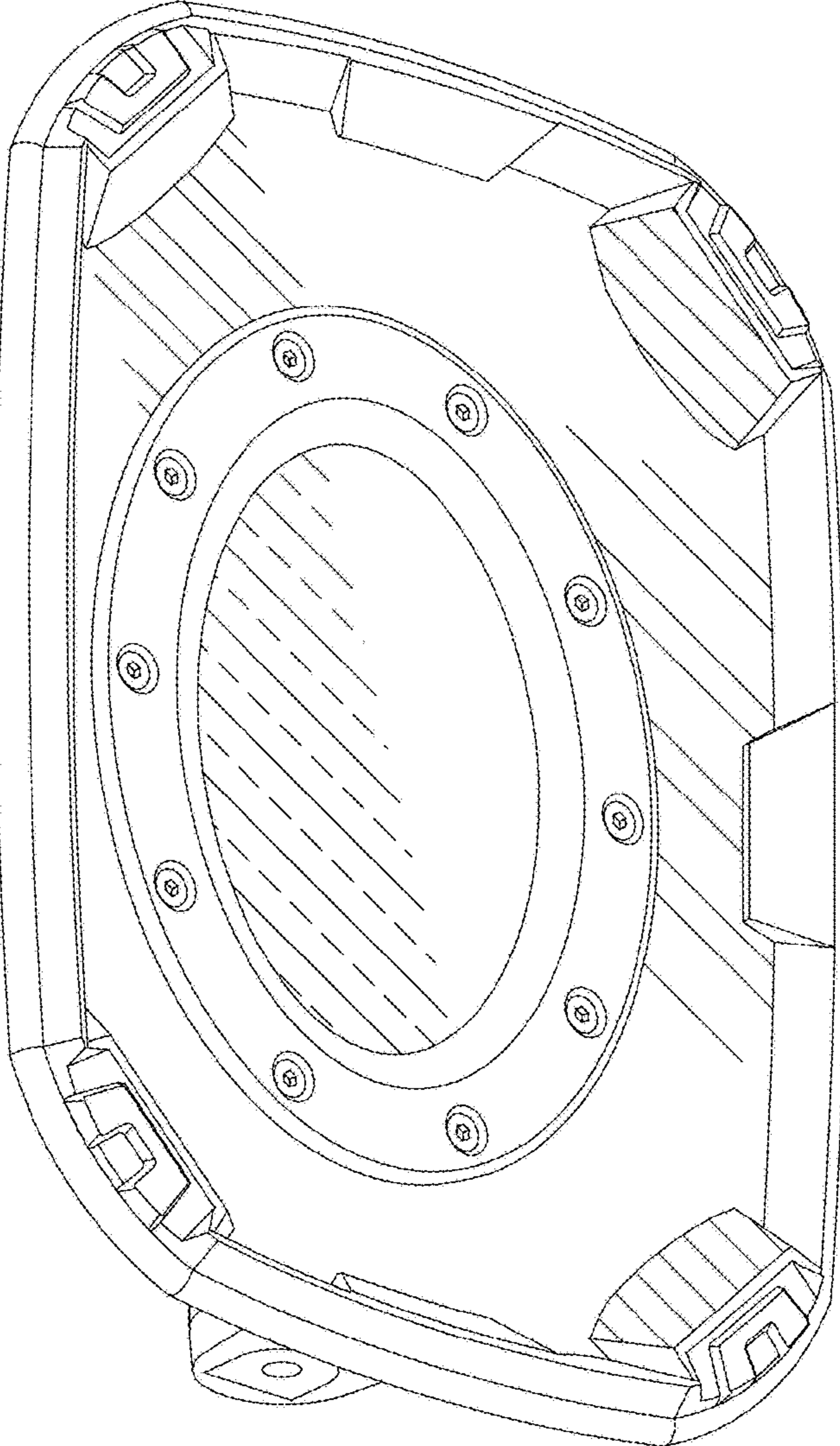


FIG. 7

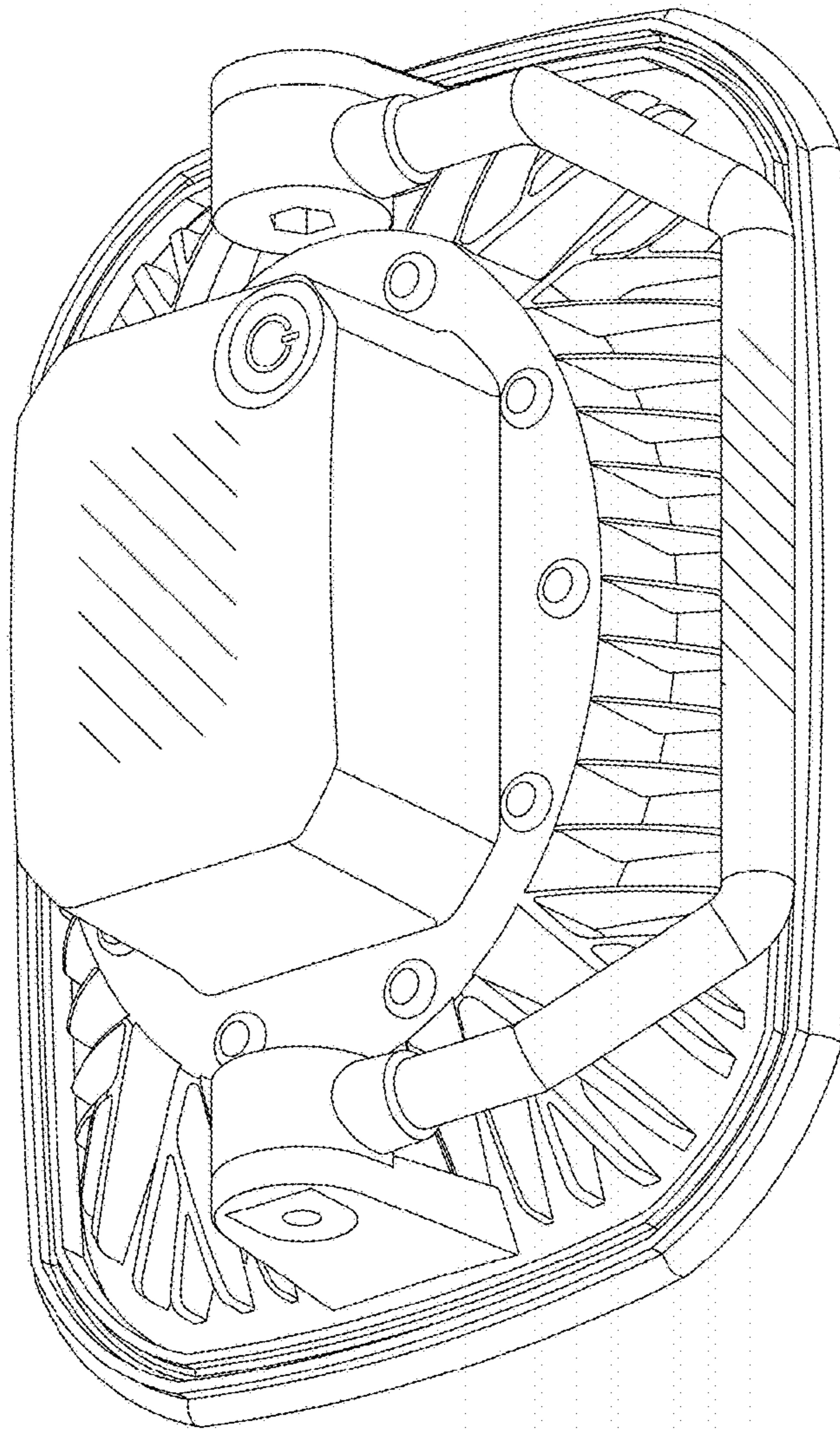


FIG. 8