



US00D855850S

(12) **United States Design Patent** (10) **Patent No.:** **US D855,850 S**
Brown (45) **Date of Patent:** **** Aug. 6, 2019**

(54) **FLASHLIGHT**
(71) Applicant: **Energizer Brands, LLC**, St. Louis, MO (US)
(72) Inventor: **John Robert Brown**, Sydney (AU)
(73) Assignee: **Energizer Brands, LLC**, St. Louis, MO (US)
(**) Term: **15 Years**
(21) Appl. No.: **29/592,840**
(22) Filed: **Feb. 2, 2017**
(51) **LOC (12) Cl.** **26-02**
(52) **U.S. Cl.**
USPC **D26/46**
(58) **Field of Classification Search**
USPC D26/37-51
CPC F21L 2003/00; F21L 4/00; F21L 4/005;
F21L 4/02; F21L 4/025; F21L 4/027;
F21L 4/04; F21L 4/08; F21L 2005/00;
F21L 7/00; F21L 11/00; F21L 13/00;
F21L 13/04; F21L 13/08; F21L 14/02;
F21L 17/00; F21L 19/00; F21L 25/00
See application file for complete search history.

D676,993 S 2/2013 Kotsis et al.
D693,951 S * 11/2013 Rugendyke D26/44
D740,986 S * 10/2015 Hine D26/46
D742,568 S 11/2015 Abernethy
D742,570 S * 11/2015 Brown D26/46
D767,187 S 9/2016 Hine

OTHER PUBLICATIONS

“Eveready Dolphin Lantern Range, The New LED Lantern”, retrieved from <<http://dolphintorches.com/home/products>> on Jul. 24, 2017.
“Eveready Micro Dolphin Torch with Batteries”, retrieved from <https://www.bunnings.com.au/eveready-micro-dolphin-torch-with-batteries_p4410172> on Jul. 24, 2017.
“Eveready Mini Dolphin Torch with Batteries”, retrieved from <https://www.bunnings.com/au/eveready-mini-dolphin-torch-with-batteries_p4410173> on Jul. 24, 2017.

* cited by examiner

Primary Examiner — Lakiya G Rogers
Assistant Examiner — Carissa C Fitts
(74) *Attorney, Agent, or Firm* — Alston & Bird LLP

(57) **CLAIM**

The ornamental design for a flashlight, as shown and described.

DESCRIPTION

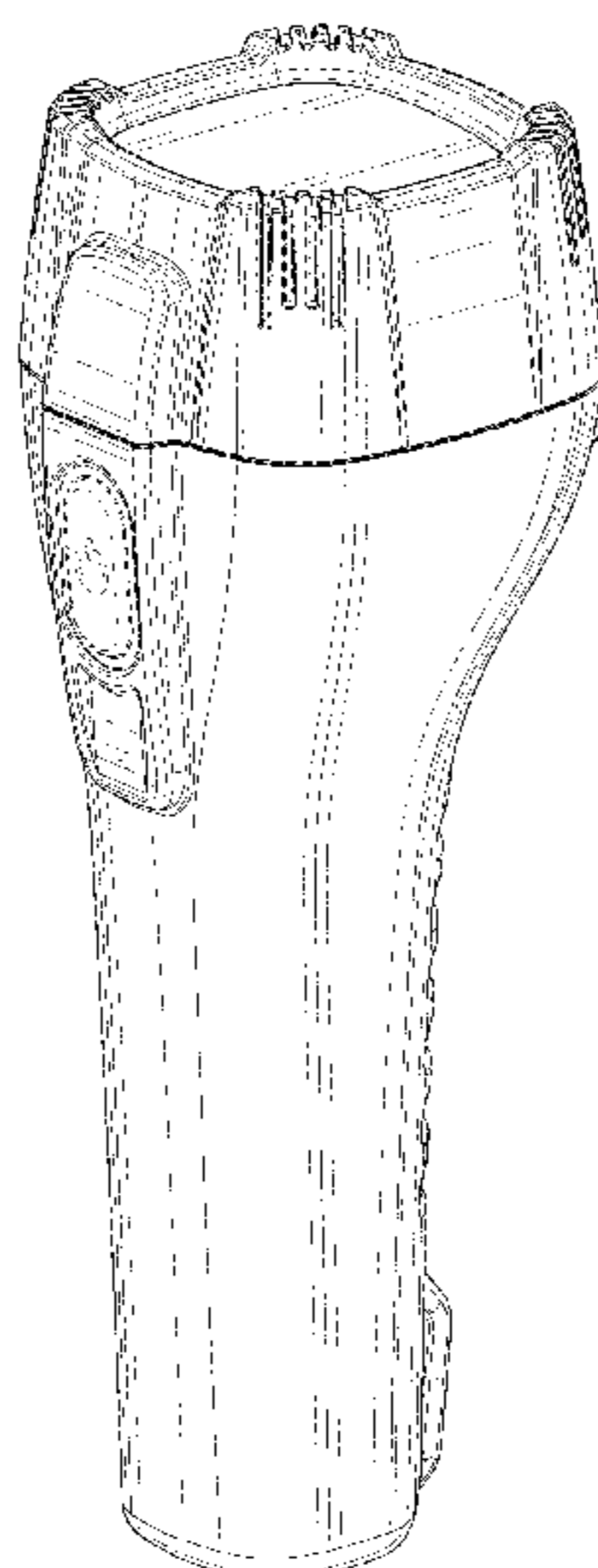
FIG. 1 is a perspective view of a flashlight according to one exemplary embodiment of the present design.
FIG. 2 is a front view the flashlight of FIG. 1.
FIG. 3 is a back view of the flashlight of FIG. 1.
FIG. 4 is a left side view of the flashlight of FIG. 1.
FIG. 5 is a right side view of the flashlight of FIG. 1.
FIG. 6 is a top view of the flashlight of FIG. 1.
FIG. 7 is a bottom view of the flashlight of FIG. 1; and,
FIG. 8 is a rear perspective view of the flashlight of FIG. 1.
The broken lines show portions of the article which form no part of the claimed design.

(56) **References Cited**

U.S. PATENT DOCUMENTS

D448,878 S * 10/2001 Dalton D26/49
D494,694 S * 8/2004 Krieger D26/37
D497,446 S * 10/2004 Kingston D26/37
D502,564 S * 3/2005 Dalton D26/49
D504,966 S * 5/2005 Osiecki D26/37
D504,970 S 5/2005 Dalton et al.
D514,721 S * 2/2006 Osiecki D26/44
D544,118 S * 6/2007 Osiecki D26/37
D553,281 S 10/2007 Rugendyke et al.
D553,283 S * 10/2007 Rugendyke D26/49
D610,727 S * 2/2010 Nyssen D26/46
D617,023 S * 6/2010 Rugendyke D26/46

1 Claim, 8 Drawing Sheets



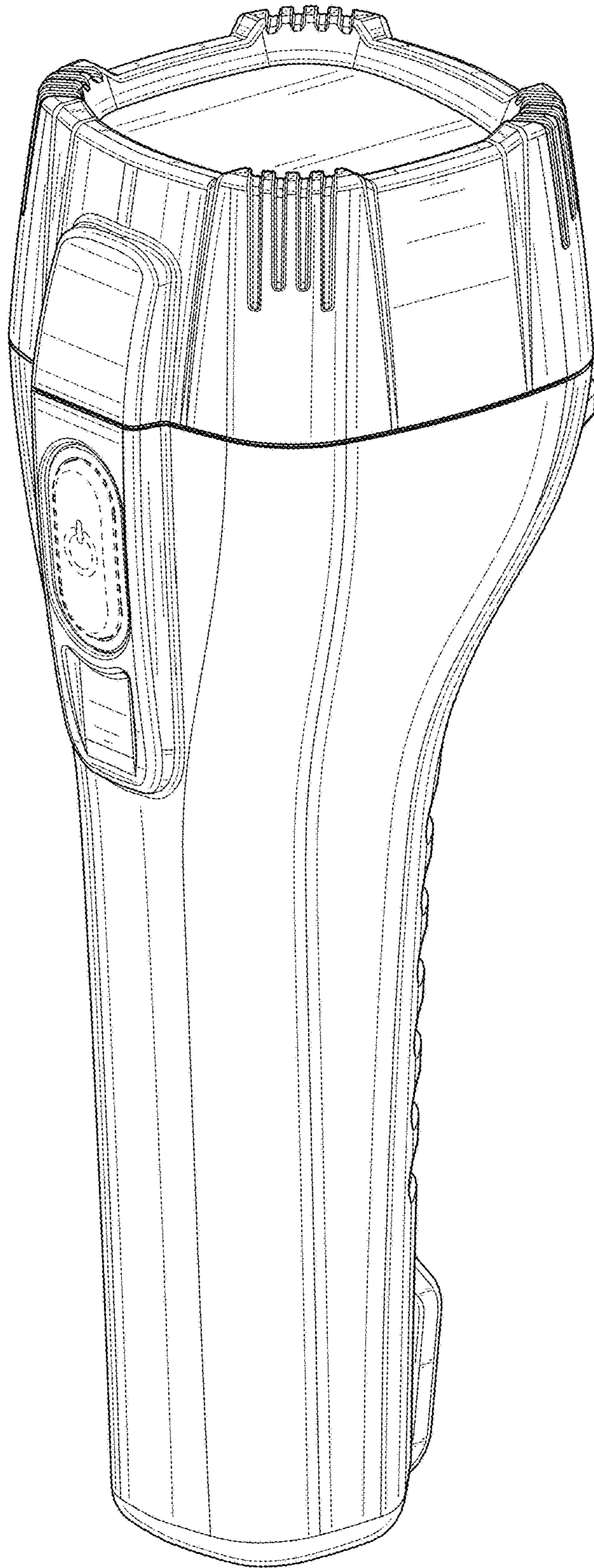


FIG. 1

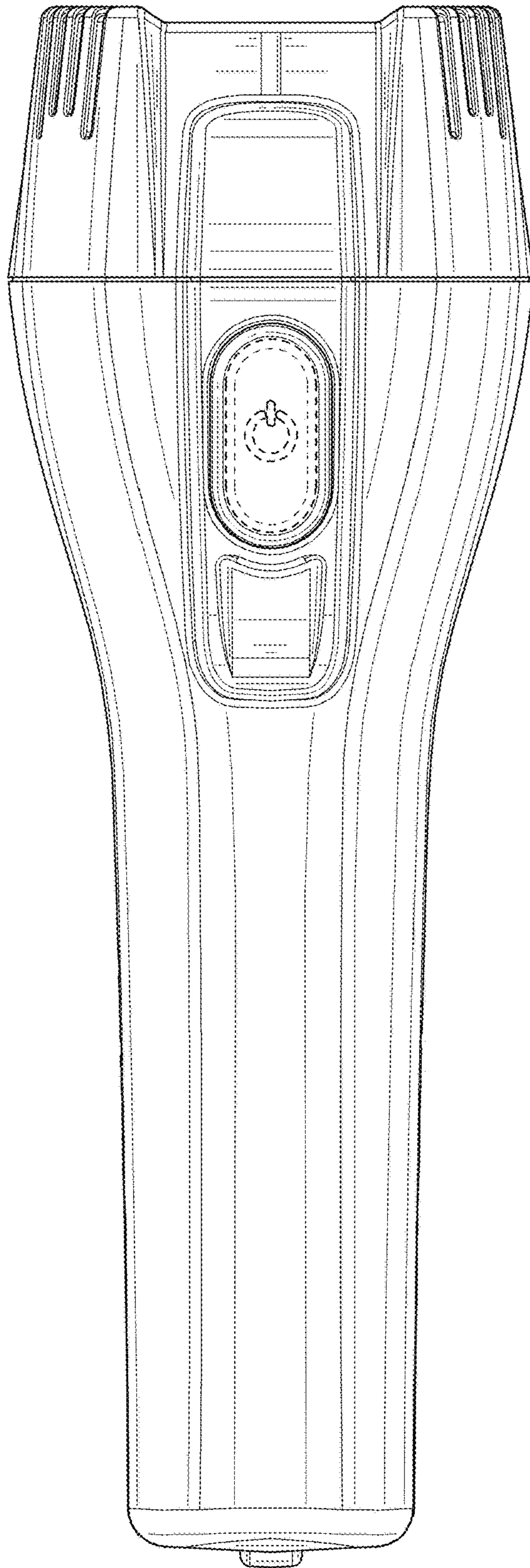


FIG. 2

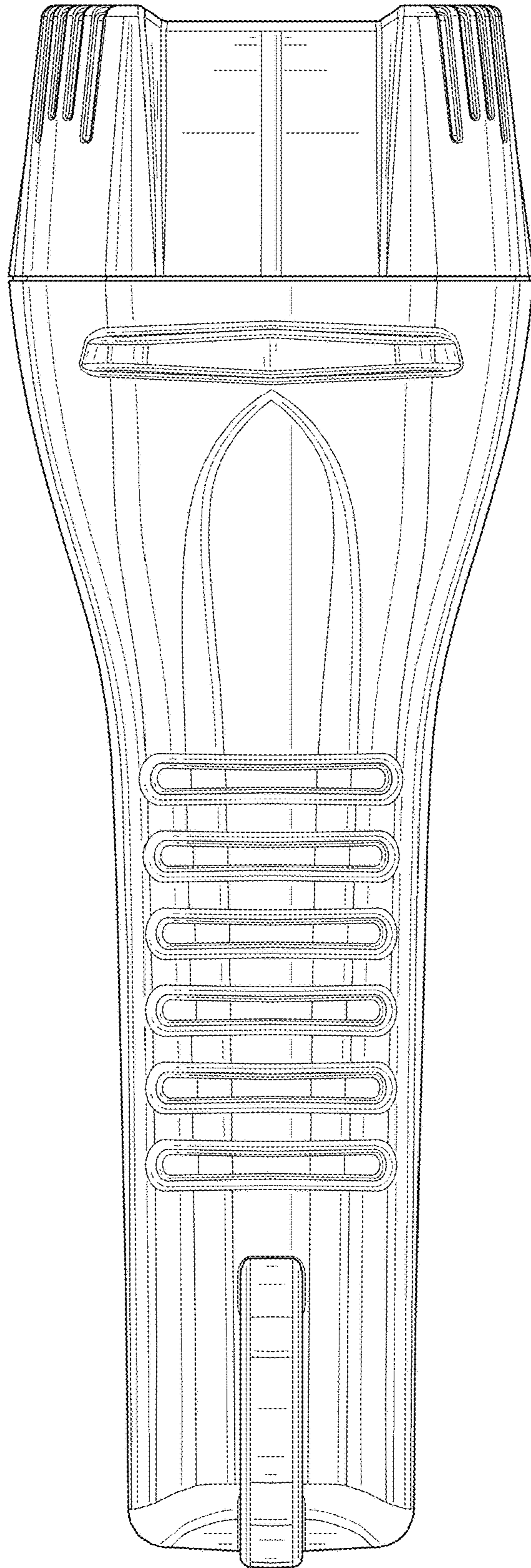


FIG. 3

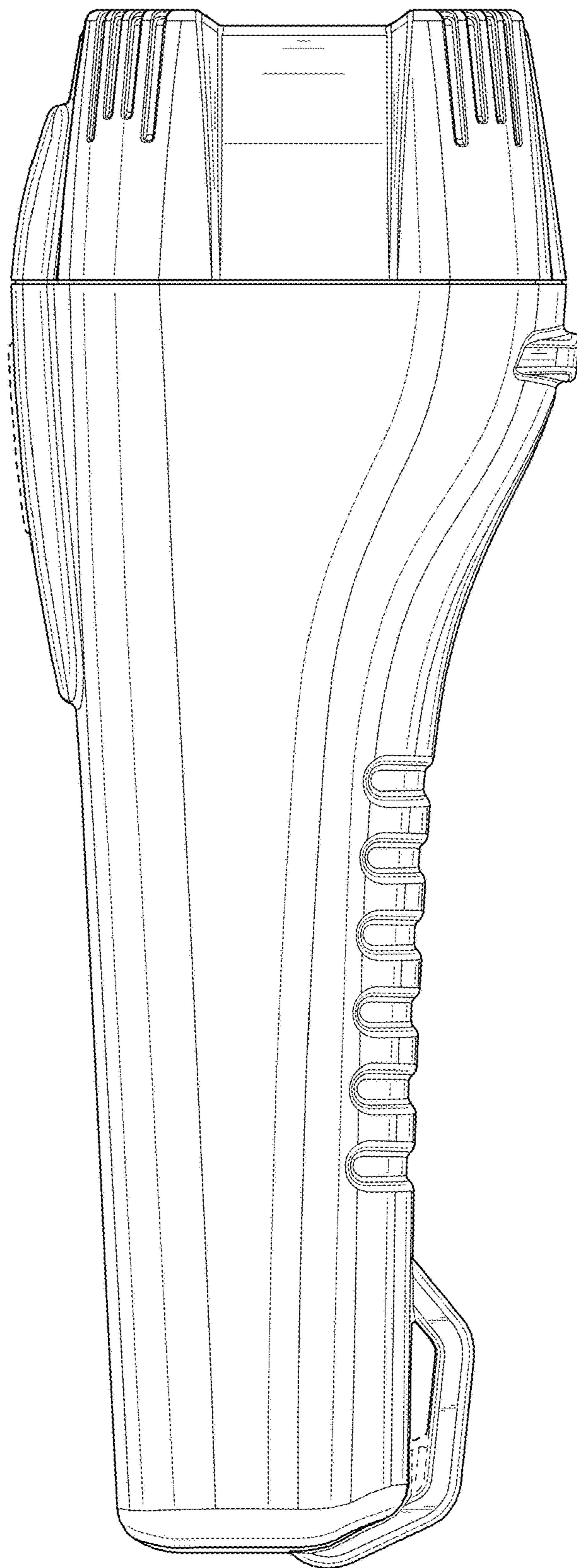


FIG. 4

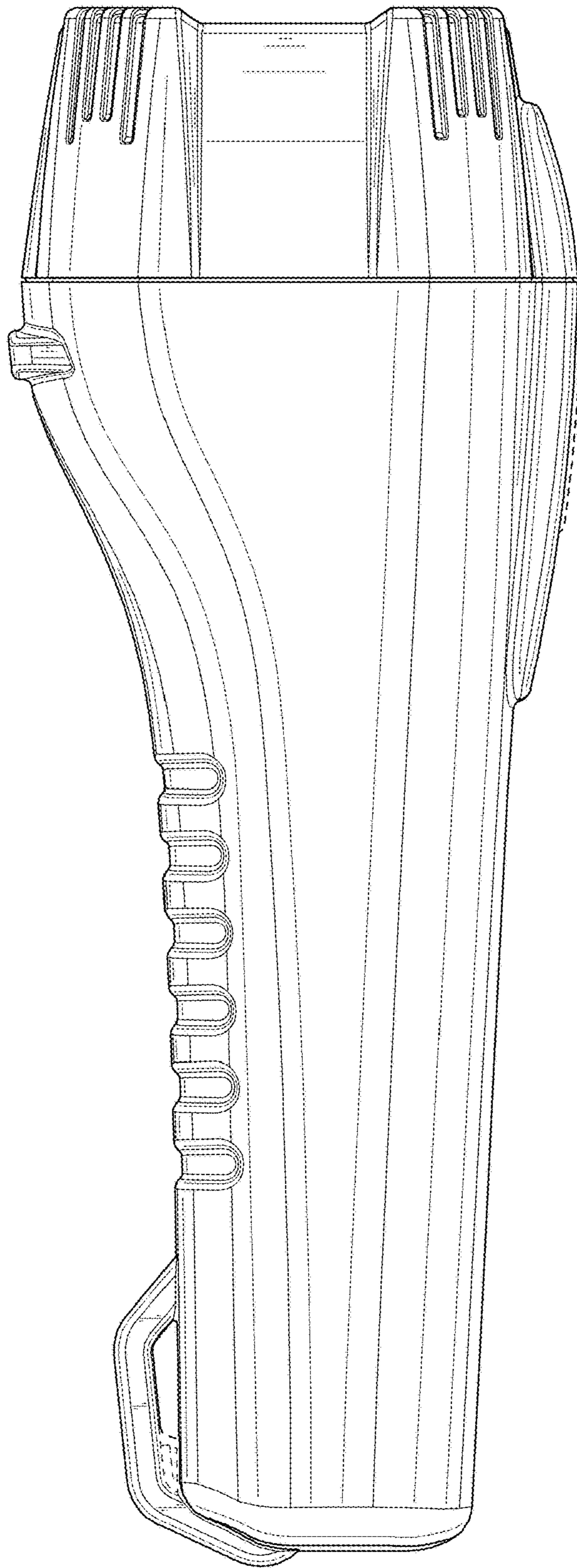


FIG. 5

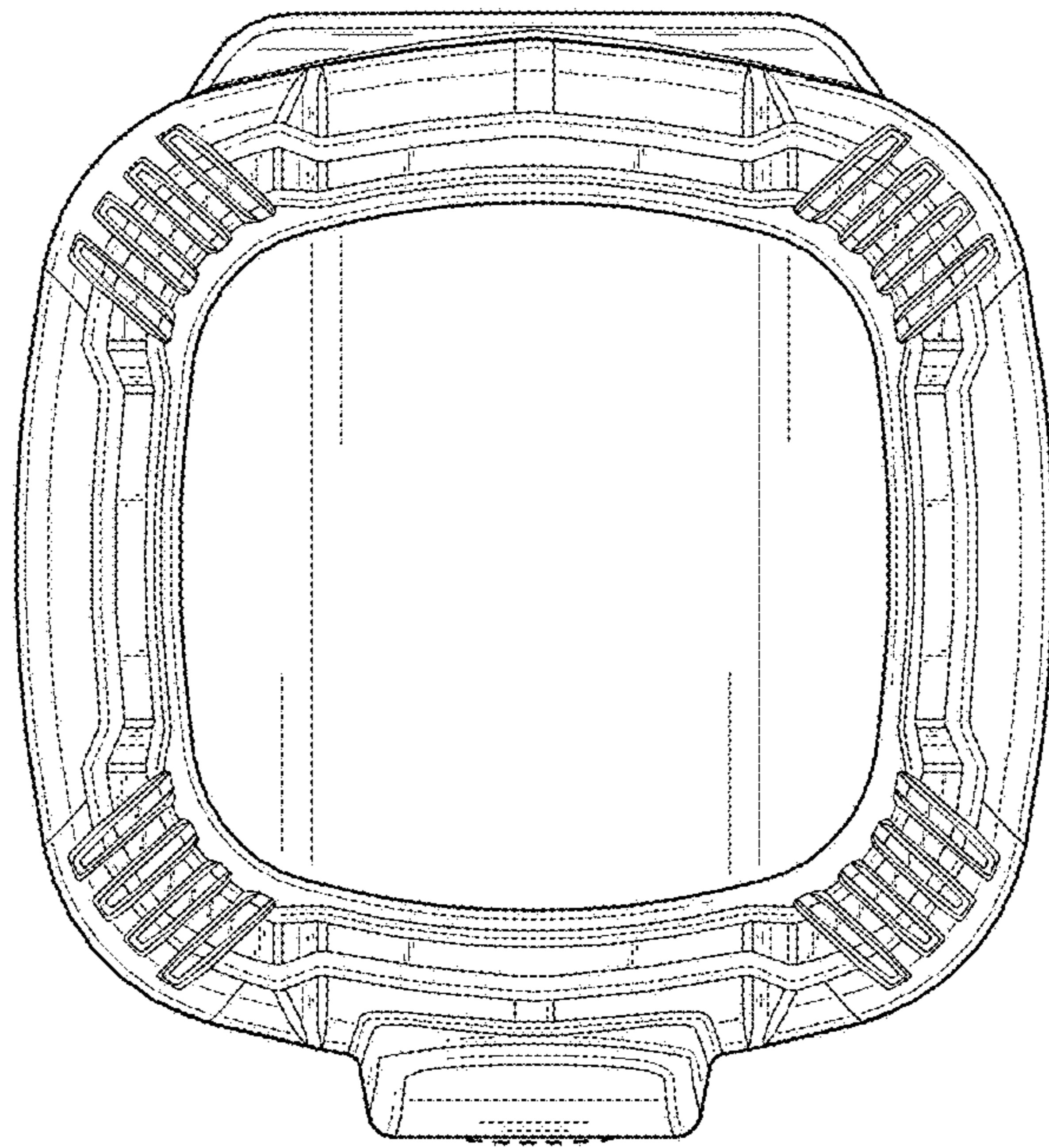


FIG. 6

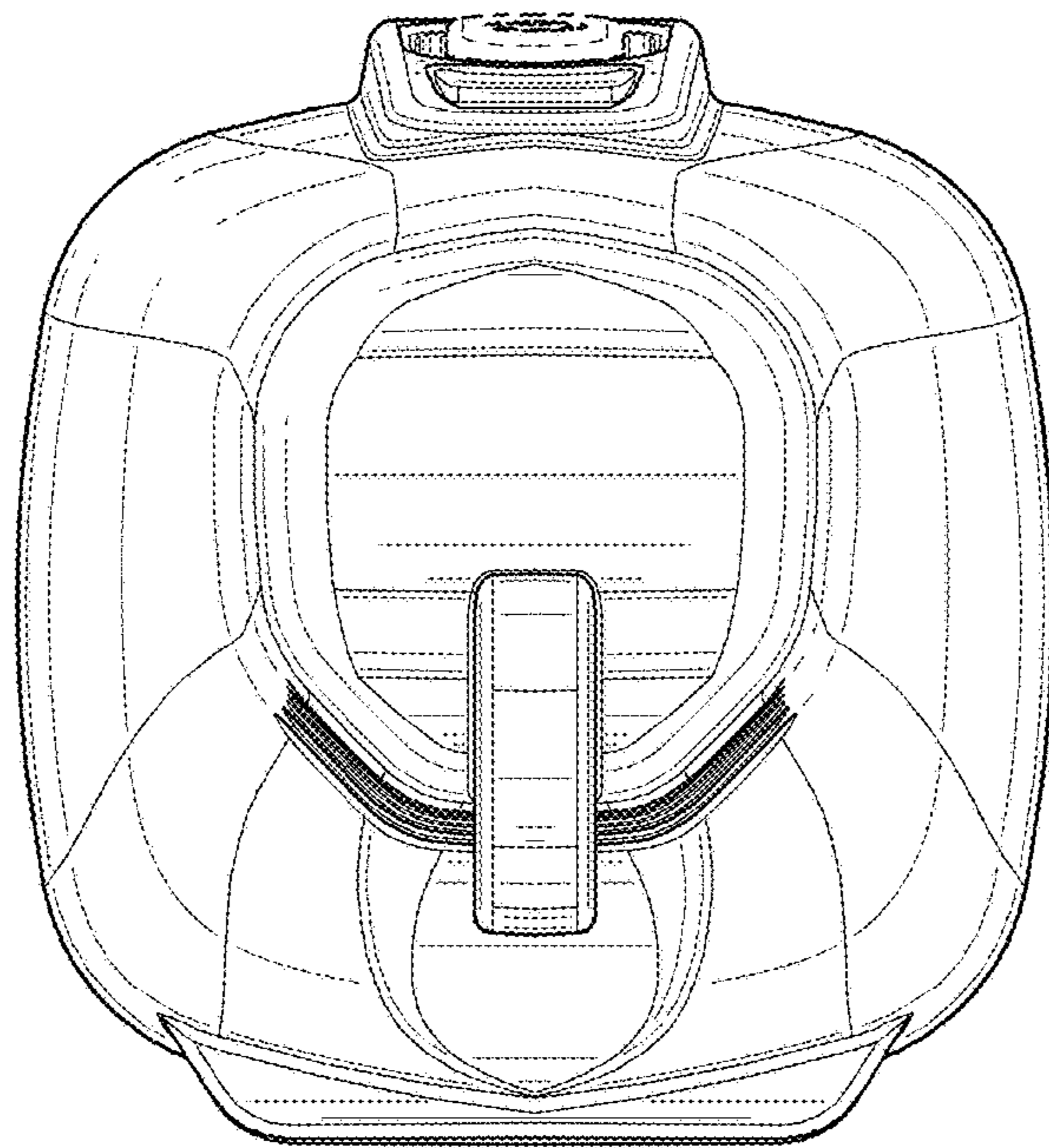


FIG. 7

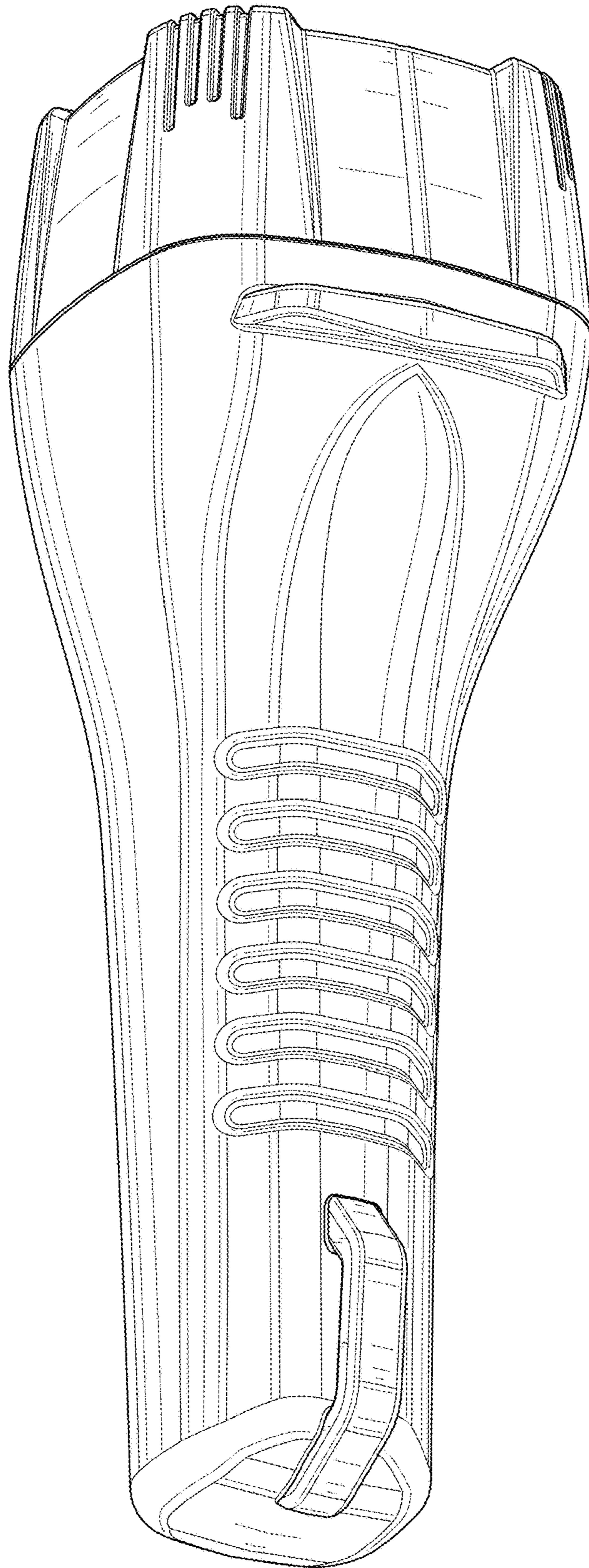


FIG. 8