



US00D855848S

(12) **United States Design Patent**
Lai

(10) **Patent No.:** **US D855,848 S**

(45) **Date of Patent:** **** Aug. 6, 2019**

(54) **AUTOMOBILE HEADLIGHT**

(71) Applicant: **Ching-Tsung Lai**, Tainan (TW)

(72) Inventor: **Ching-Tsung Lai**, Tainan (TW)

(**) Term: **15 Years**

(21) Appl. No.: **29/642,653**

(22) Filed: **Mar. 30, 2018**

(51) **LOC (12) Cl.** **26-06**

(52) **U.S. Cl.**
USPC **D26/28**

(58) **Field of Classification Search**
USPC D26/28-36
CPC F21S 48/00; F21S 48/10; F21S 48/115;
F21S 48/225; F21S 48/1233; F21S
48/1266; F21S 48/1388; F21S 48/2268;
F21V 13/00; F21V 21/04; F21V 29/004
See application file for complete search history.

(56) **References Cited**

U.S. PATENT DOCUMENTS

D674,938 S * 1/2013 Lai D26/28
D674,941 S * 1/2013 Lai D26/28

D691,298 S * 10/2013 Binder D26/28
D743,071 S * 11/2015 Kao D26/28
D751,737 S * 3/2016 Lai D26/28
D761,463 S * 7/2016 Lai D26/28

* cited by examiner

Primary Examiner — Marcus A Jackson

(74) *Attorney, Agent, or Firm* — Alexander Chen, Esq.

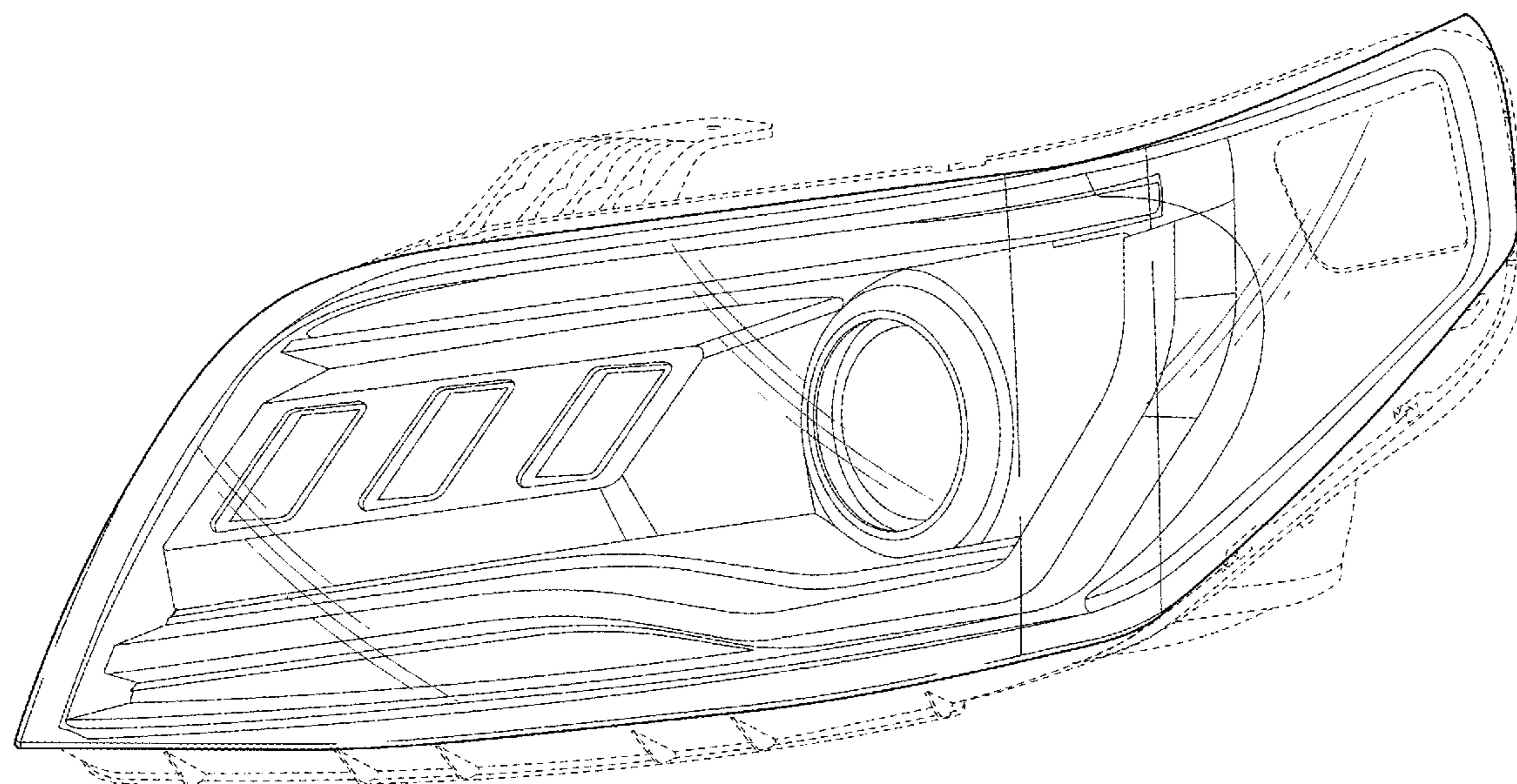
(57) **CLAIM**

The ornamental design for an automobile headlight, as shown and described.

DESCRIPTION

FIG. 1 is a perspective view of an automobile headlight; FIG. 2 is a front side view thereof; FIG. 3 is a right side view thereof; and, FIG. 4 is a top side view thereof. The broken lines are included to show environmental structure and form no part of the claimed design. The drawings and descriptions represent the right side embodiment. The claim is also for a mirror image left side embodiment.

1 Claim, 4 Drawing Sheets



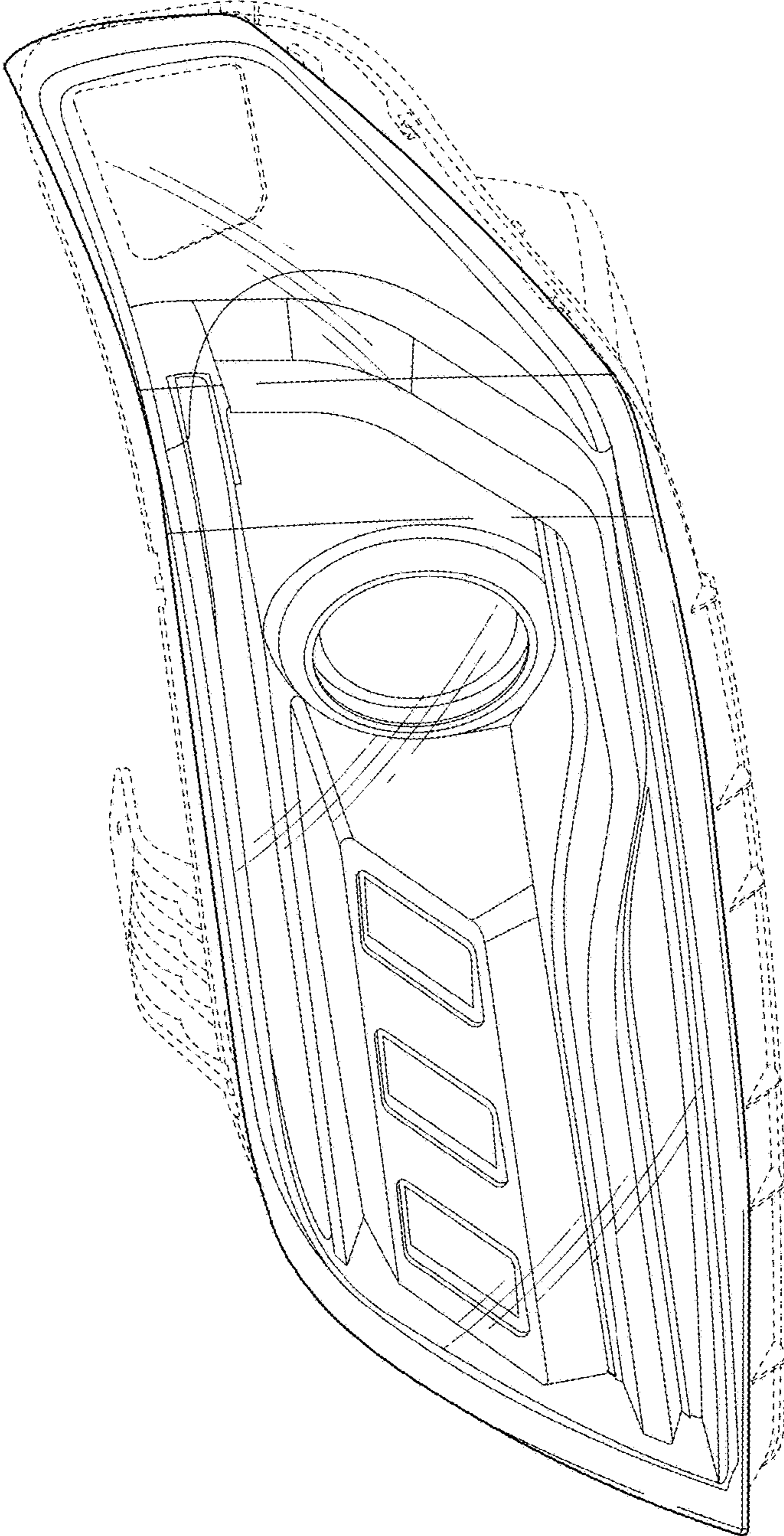


FIG. 1

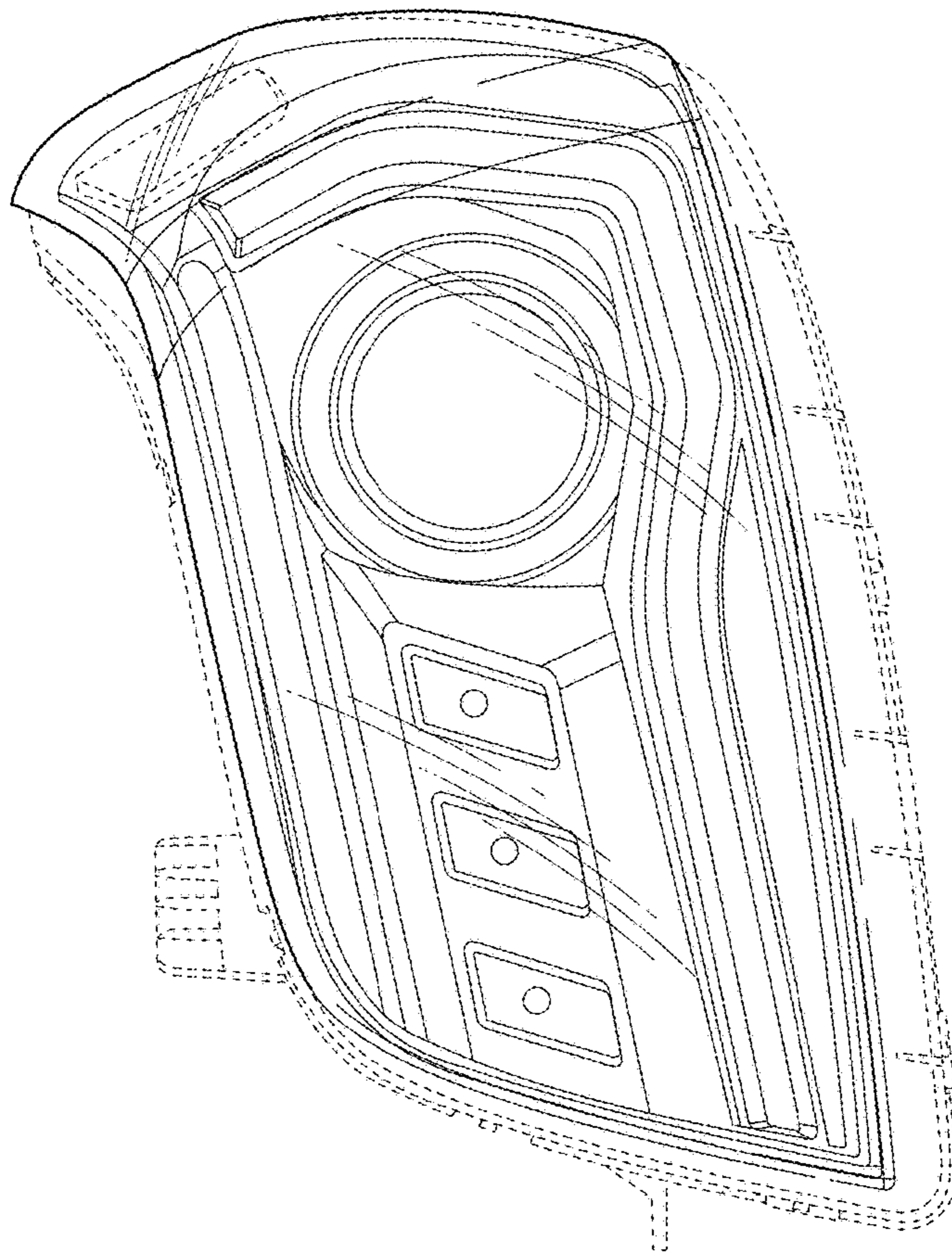


FIG. 2

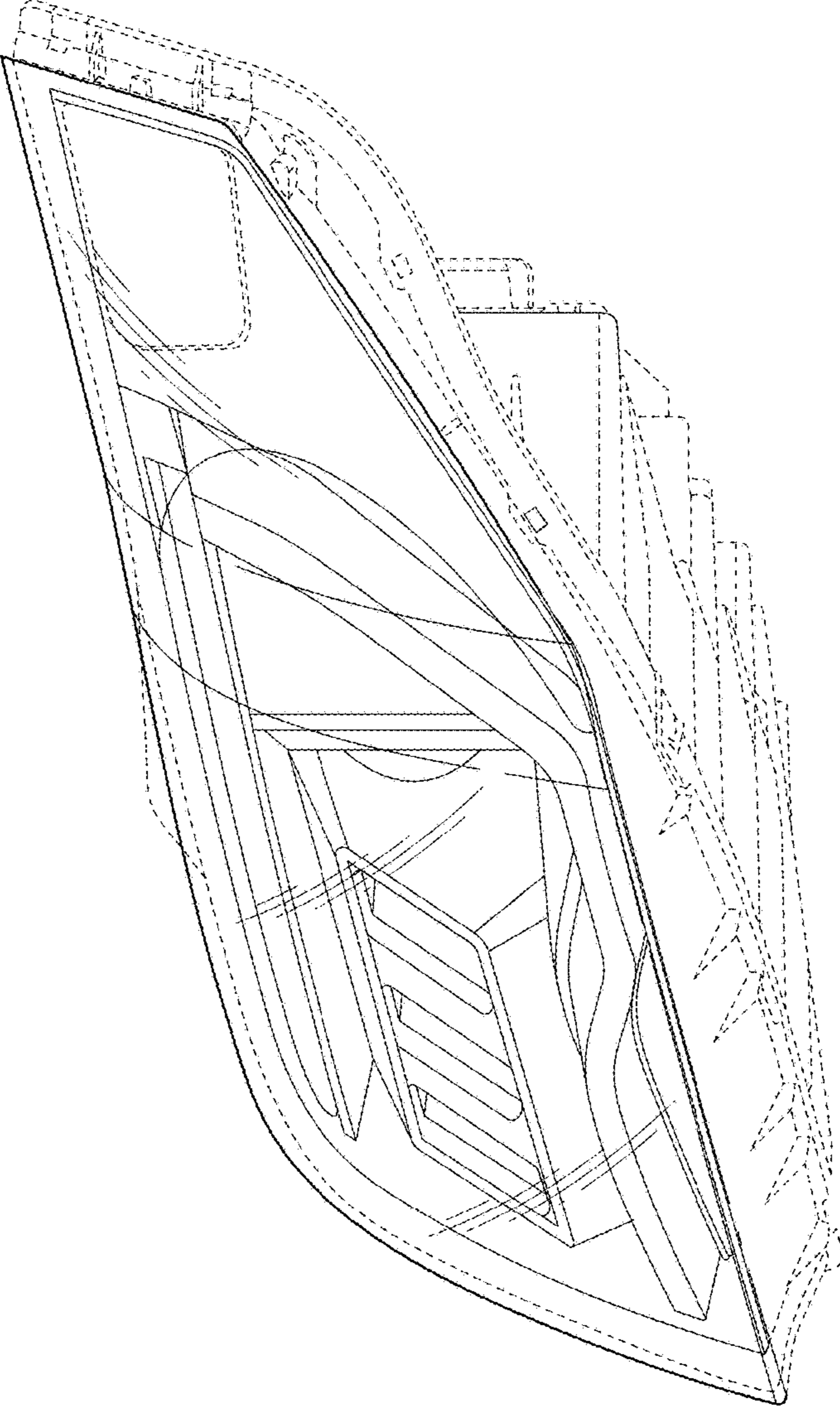


FIG. 3

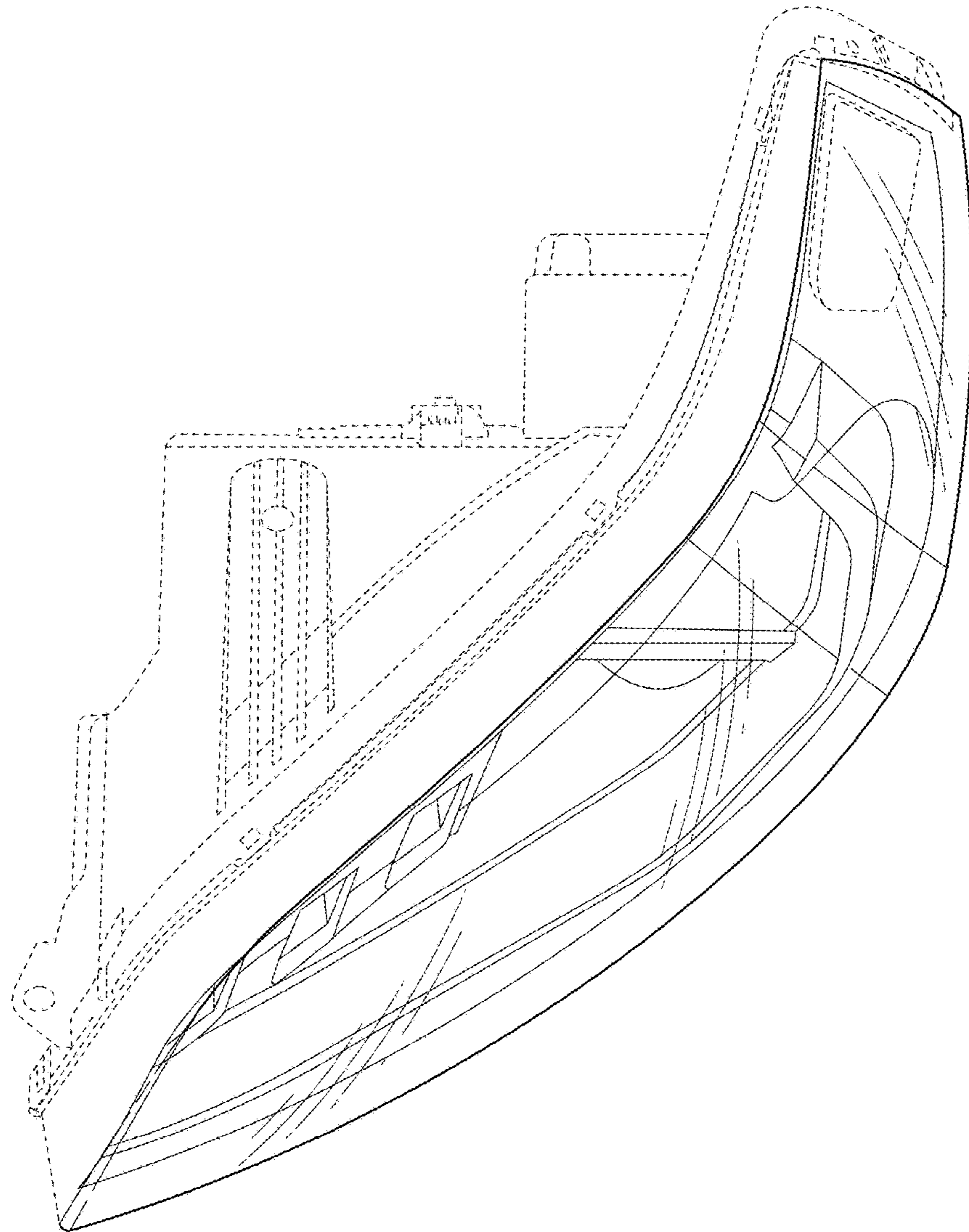


FIG. 4