



US00D855842S

(12) **United States Design Patent**  
**Hu et al.**

(10) **Patent No.:** **US D855,842 S**  
(45) **Date of Patent:** **\*\* Aug. 6, 2019**

- (54) **TAIL LIGHTS FOR GOLF CAR**
- (71) Applicant: **JH Global Services, Inc.**, Simpsonville, SC (US)
- (72) Inventors: **Jun Hu**, Simpsonville, SC (US);  
**Thomas Limpo**, Fort Mill, SC (US)
- (73) Assignee: **JH Global Services, Inc.**, Simpsonville, SC (US)
- (\*\*) Term: **15 Years**
- (21) Appl. No.: **29/592,761**
- (22) Filed: **Feb. 2, 2017**
- (51) **LOC (12) Cl.** ..... **26-07**
- (52) **U.S. Cl.**  
USPC ..... **D26/28**
- (58) **Field of Classification Search**  
USPC ..... D26/28-36; 362/459-468, 475-478,  
362/485-487  
CPC ..... F21S 48/00; F21S 48/10; F21S 48/115;  
F21S 48/225; F21S 48/1233; F21S  
48/1266; F21S 48/1388; F21S 48/2268;  
F21V 21/04  
See application file for complete search history.

(56) **References Cited**  
U.S. PATENT DOCUMENTS

D226,079 S	1/1973	Gifford
3,777,836 A	12/1973	Riza
D242,439 S	11/1976	Gervais
D255,111 S	5/1980	Palmer
D275,380 S	9/1984	Flowers, Sr.
D301,128 S	5/1989	Simon
4,852,898 A	8/1989	Donoghue et al.
D337,553 S	7/1993	Valentine et al.
5,727,642 A	3/1998	Abbott
5,788,524 A	8/1998	Davis

D437,364 S	2/2001	Jang	
D464,289 S	10/2002	Jager	
D464,913 S	10/2002	Cerny, Jr. et al.	
D482,807 S *	11/2003	Shiesh .....	D26/28
D493,749 S	8/2004	Duncan	
D498,436 S	11/2004	Bonner et al.	
D498,704 S	11/2004	Bonner et al.	
D517,448 S	3/2006	Essig	
7,240,948 B1	7/2007	Houston	
D571,689 S *	6/2008	Andrews .....	D12/16

(Continued)

Primary Examiner — Angela J Lee  
(74) Attorney, Agent, or Firm — Dority & Manning, P.A.

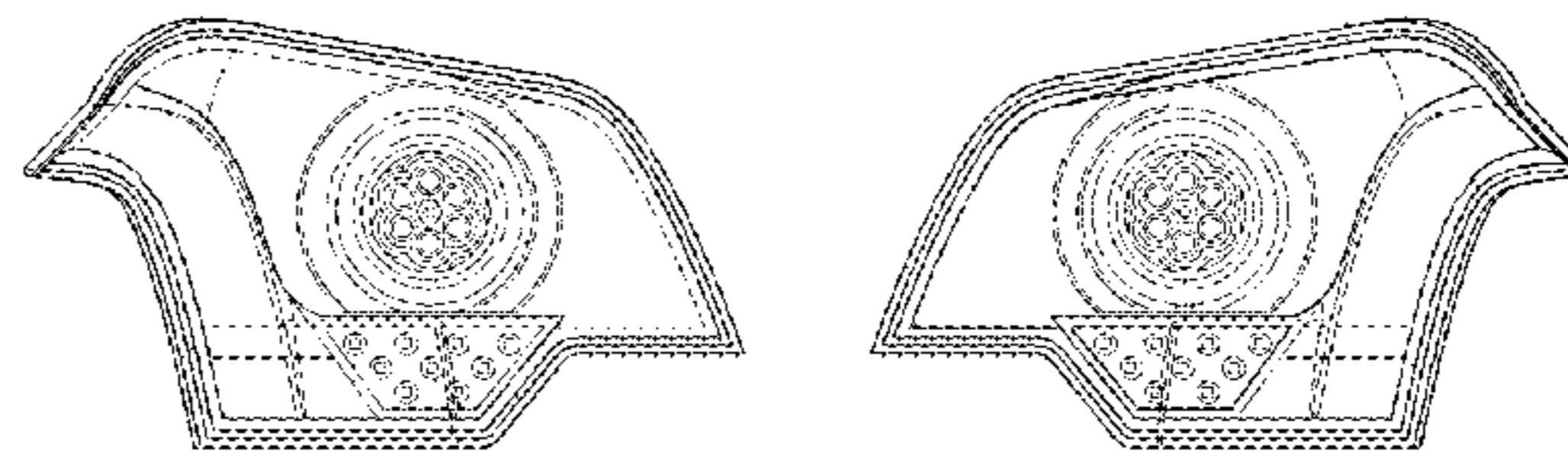
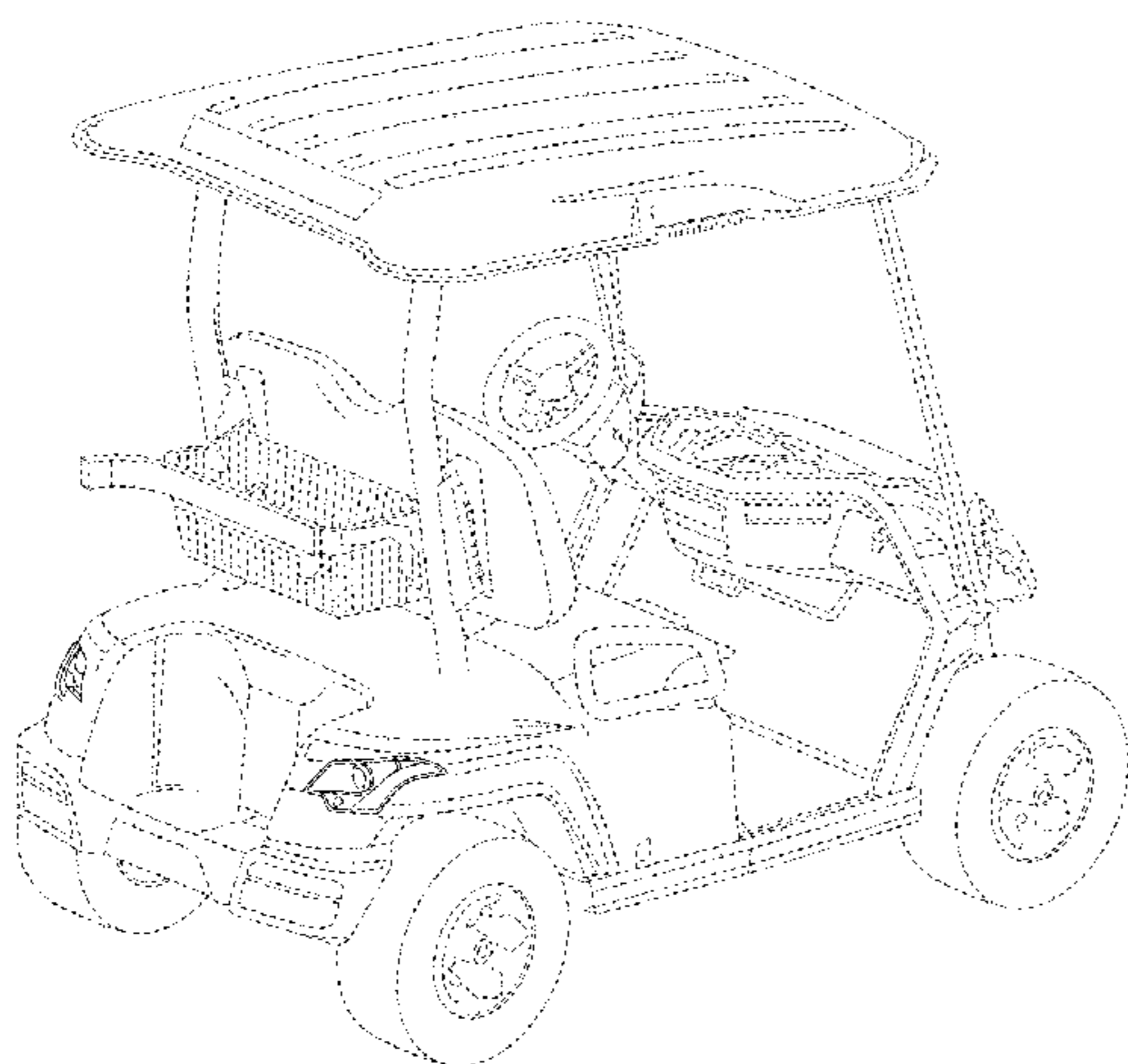
(57) **CLAIM**

The ornamental design for tail lights for a golf car, as shown and described.

**DESCRIPTION**

FIG. 1 is a perspective view of the tail lights for a golf car, which subject matter is shown in its intended environment of incorporated into the back end of a golf car;  
 FIG. 2 is a front elevation view of the tail lights for a golf car;  
 FIG. 3 is a rear elevation view of the tail lights for a golf car;  
 FIG. 4 is a top plan view of the tail lights for a golf car;  
 FIG. 5 is a bottom plan view of the tail lights for a golf car;  
 FIG. 6 is a left side (driver's side) elevation view of the tail lights on the left side (driver's side) for a golf car;  
 FIG. 7 is the opposite side of the tail light illustrated in FIG. 6 on the left side (driver's side) for a golf car;  
 FIG. 8 is a right side (passenger's side) elevation view of the tail lights on the right side (passenger's side) for a golf car; and,  
 FIG. 9 the opposite side of the tail light illustrated in FIG. 8 on the right side (passenger's side) for a golf car.  
 The broken lines shown illustrate environmental structure and form no part of the claimed design.

**1 Claim, 6 Drawing Sheets**



(56)

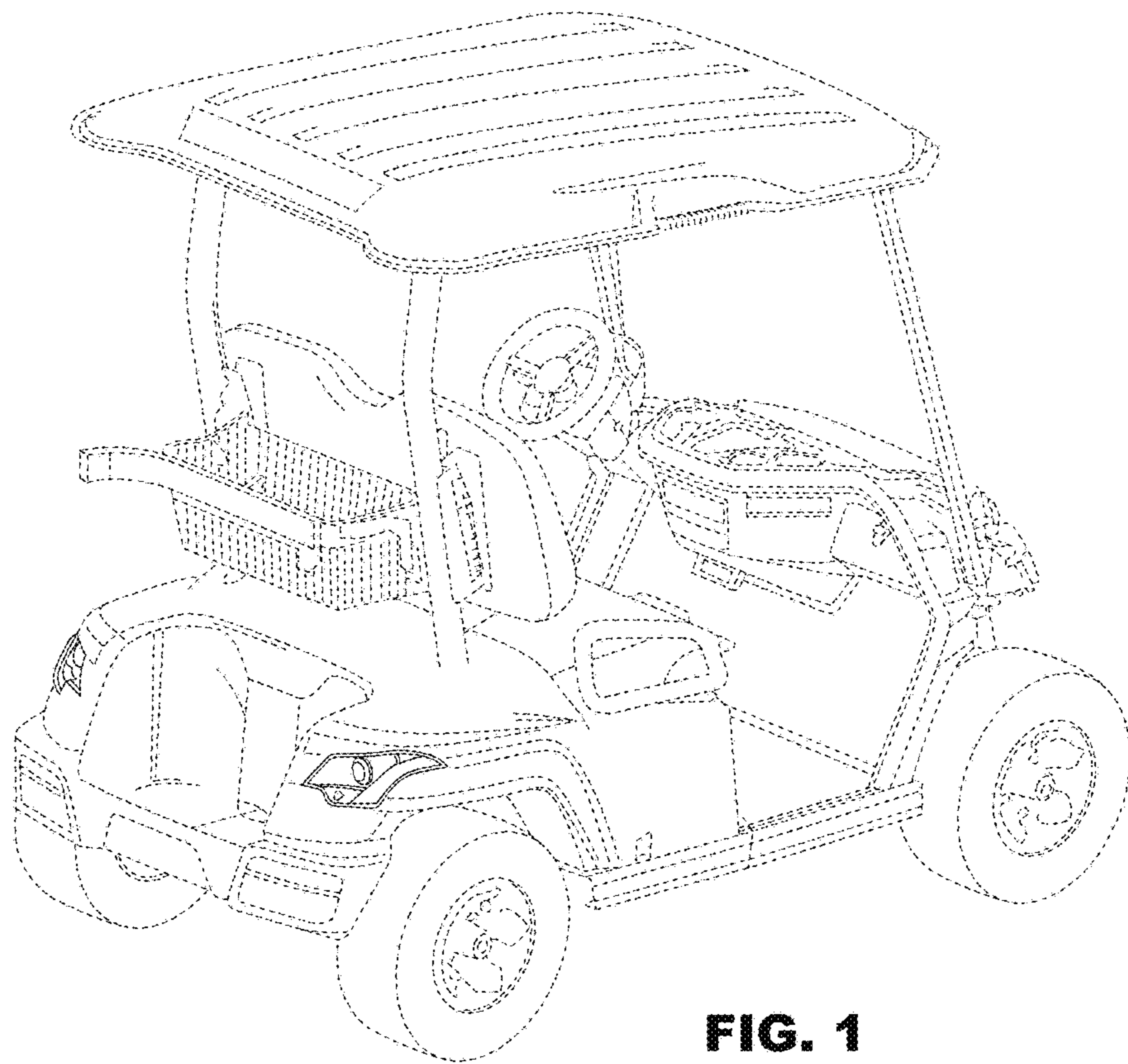
References Cited

U.S. PATENT DOCUMENTS

D584,187 S 1/2009 Rossello et al.  
 D588,957 S 3/2009 Tuo  
 D589,398 S 3/2009 Tuo  
 D591,659 S 5/2009 Dubanowski et al.  
 D600,593 S 9/2009 Hanson et al.  
 7,585,010 B2 9/2009 Hardy et al.  
 D606,899 S 12/2009 Gal et al.  
 D617,681 S 6/2010 Tuo  
 D618,137 S \* 6/2010 Yuan ..... D12/16  
 D639,208 S 6/2011 Li  
 D639,711 S 6/2011 Chartrand  
 D640,596 S \* 6/2011 Zhang ..... D12/1  
 D640,599 S \* 6/2011 Zhang ..... D12/1  
 7,954,838 B1 6/2011 Long  
 D646,201 S 10/2011 Zhang  
 D646,604 S \* 10/2011 Zhang ..... D12/1  
 D652,349 S \* 1/2012 Kristensen ..... D12/16  
 D694,669 S 12/2013 Schwenk

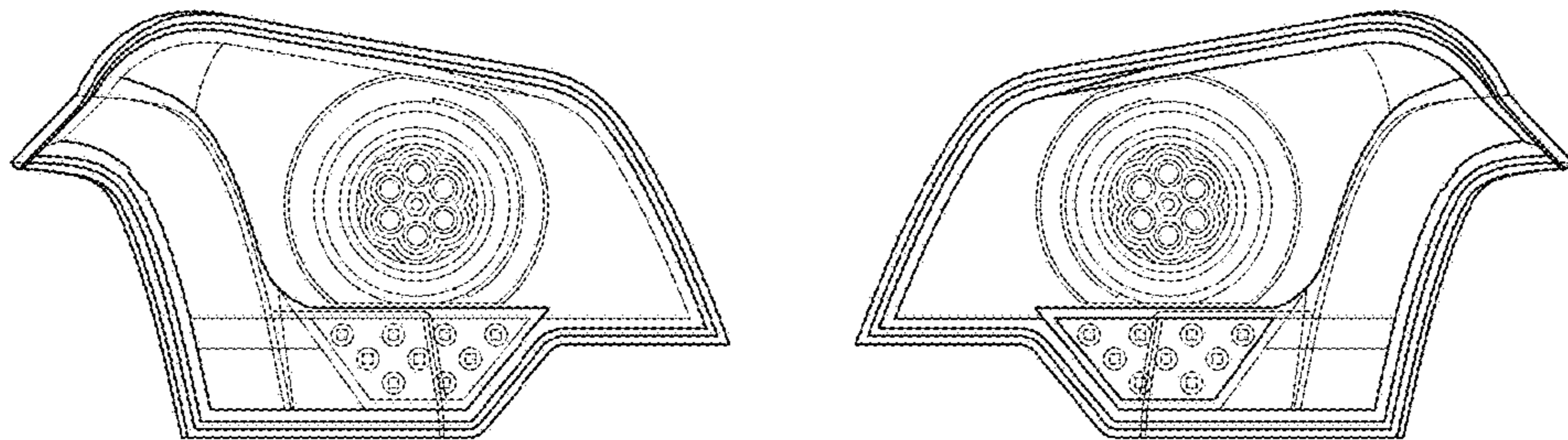
D721,012 S \* 1/2015 Zhang ..... D12/16  
 D746,174 S 12/2015 Storms  
 D752,782 S \* 3/2016 Moessner ..... D26/28  
 D753,021 S 4/2016 Allen  
 D762,141 S \* 7/2016 Zhou ..... D12/16  
 D765,293 S \* 8/2016 Schneider ..... D26/28  
 D784,576 S \* 4/2017 Giolito ..... D26/28  
 D787,727 S 5/2017 Lai  
 D799,728 S 10/2017 Whitla et al.  
 D812,272 S \* 3/2018 Lacock ..... D26/28  
 2002/0195831 A1 12/2002 Hogan et al.  
 2004/0009329 A1 1/2004 Whitaker  
 2005/0224539 A1 10/2005 Hardy et al.  
 2006/0151224 A1 7/2006 Vasser  
 2006/0180383 A1 8/2006 Bataille et al.  
 2006/0230869 A1 10/2006 Cosby et al.  
 2007/0007315 A1 1/2007 Hanson et al.  
 2007/0252361 A1 11/2007 Houston  
 2008/0179860 A1 7/2008 Bell  
 2010/0314179 A1 12/2010 Gibson  
 2013/0105532 A1 5/2013 Lorenzana

\* cited by examiner

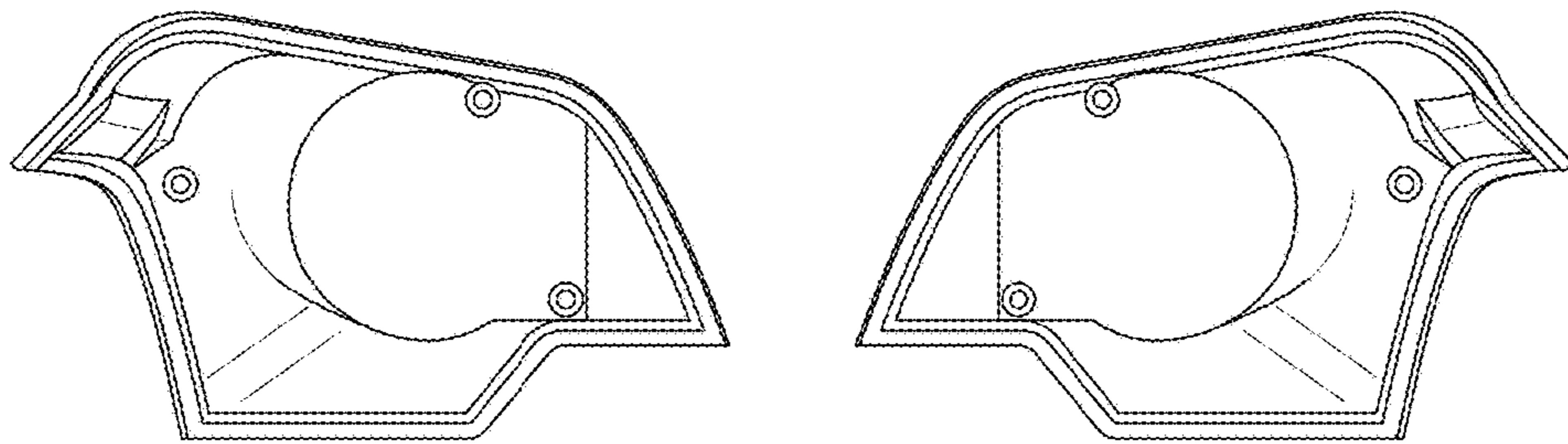


**FIG. 1**

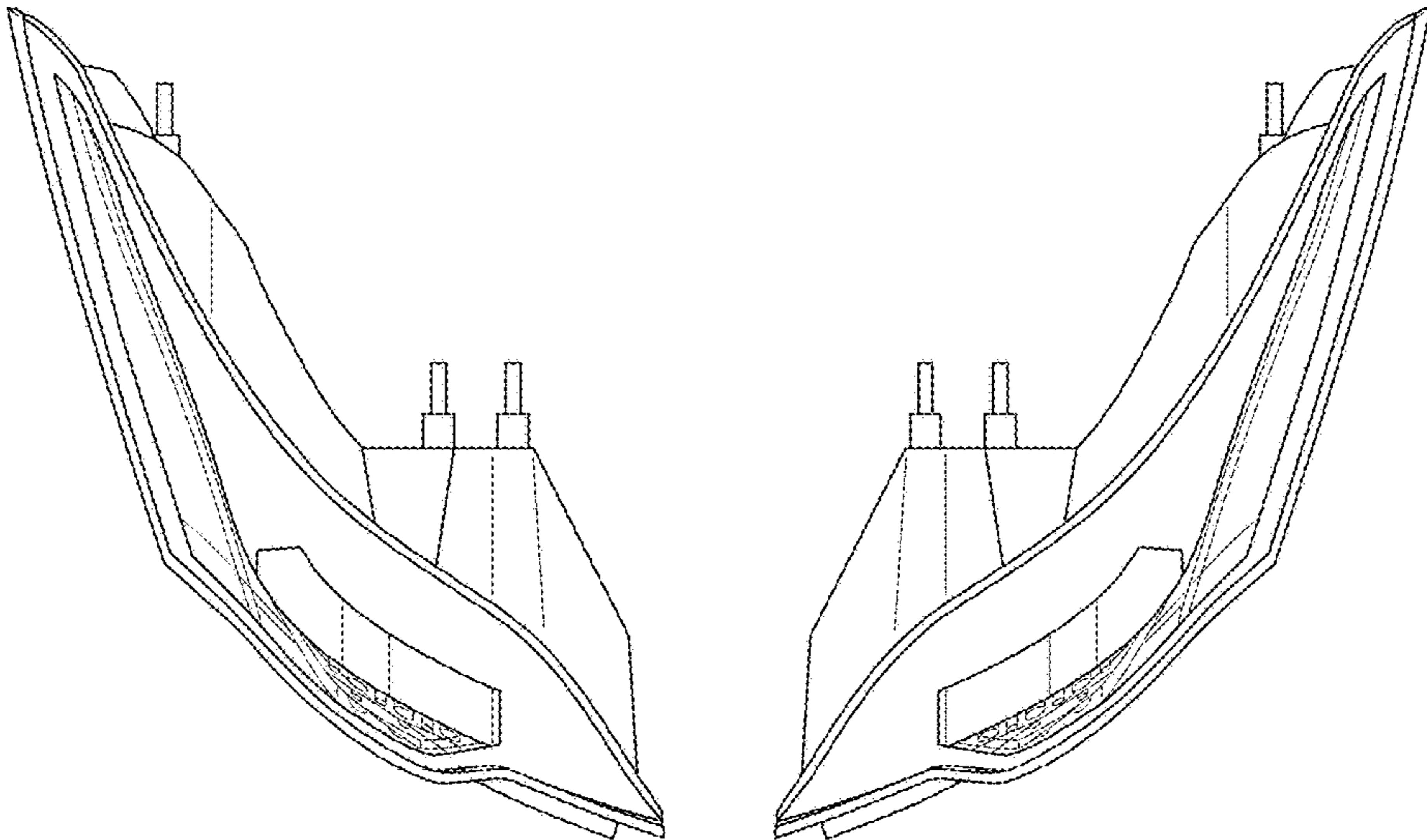




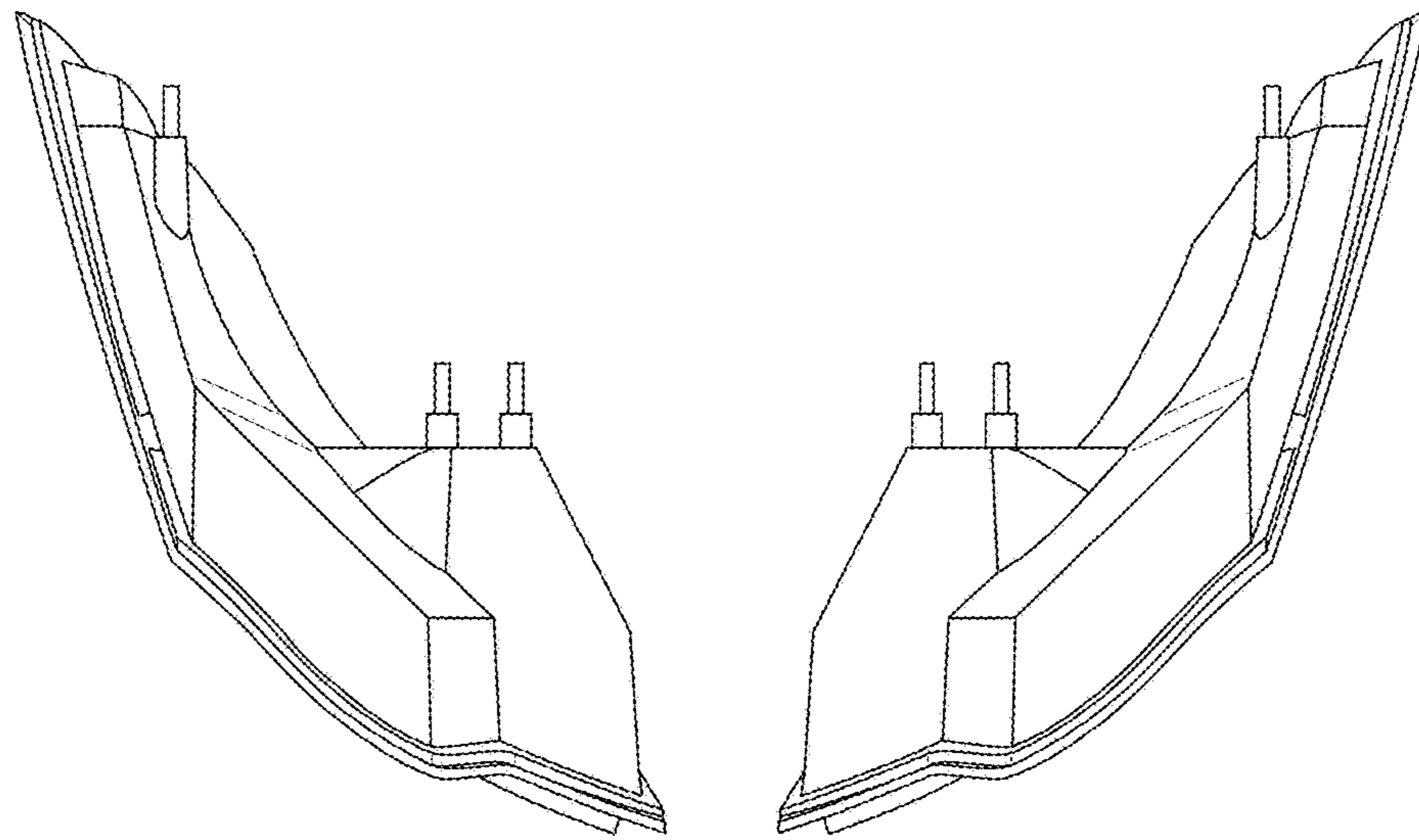
**FIG. 2**



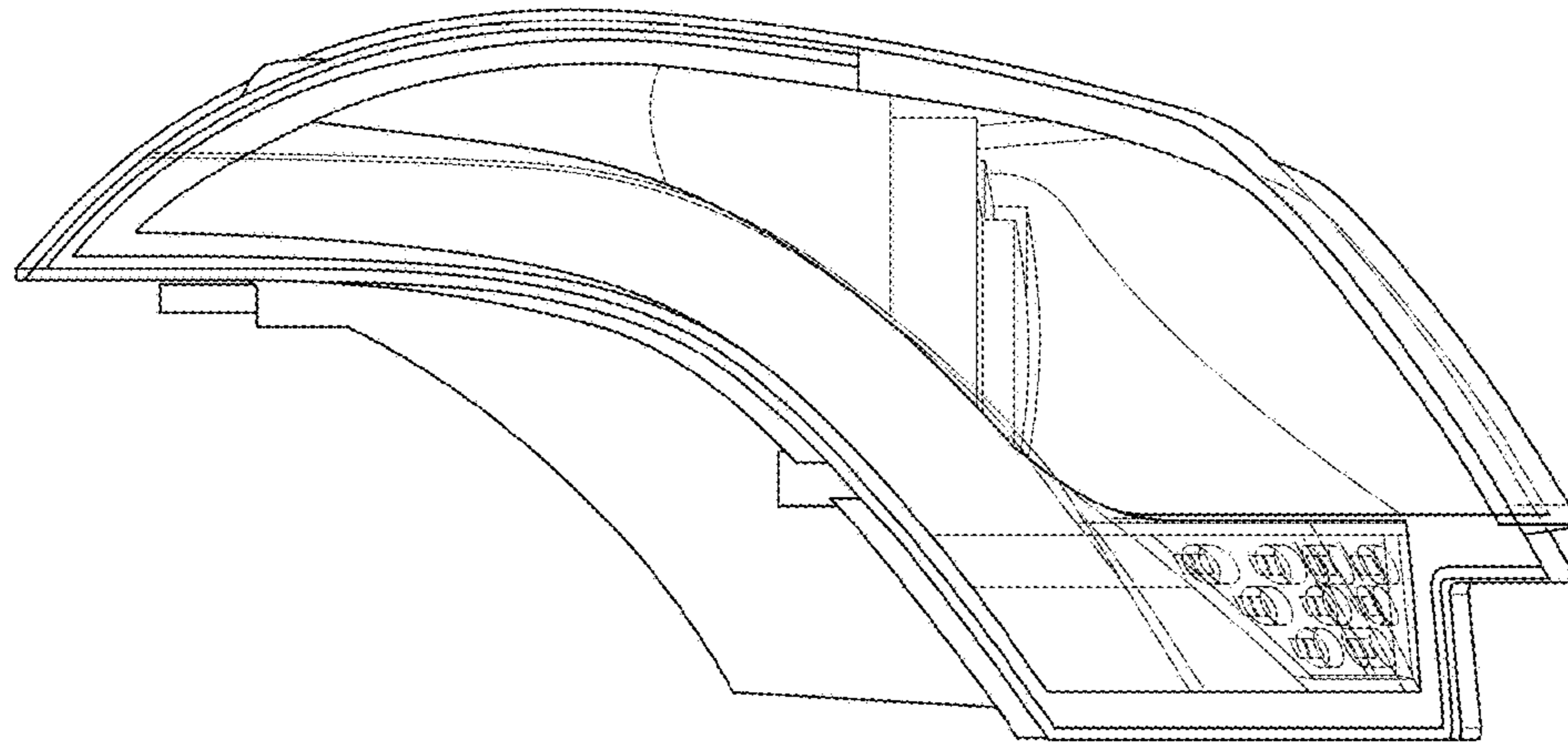
**FIG. 3**



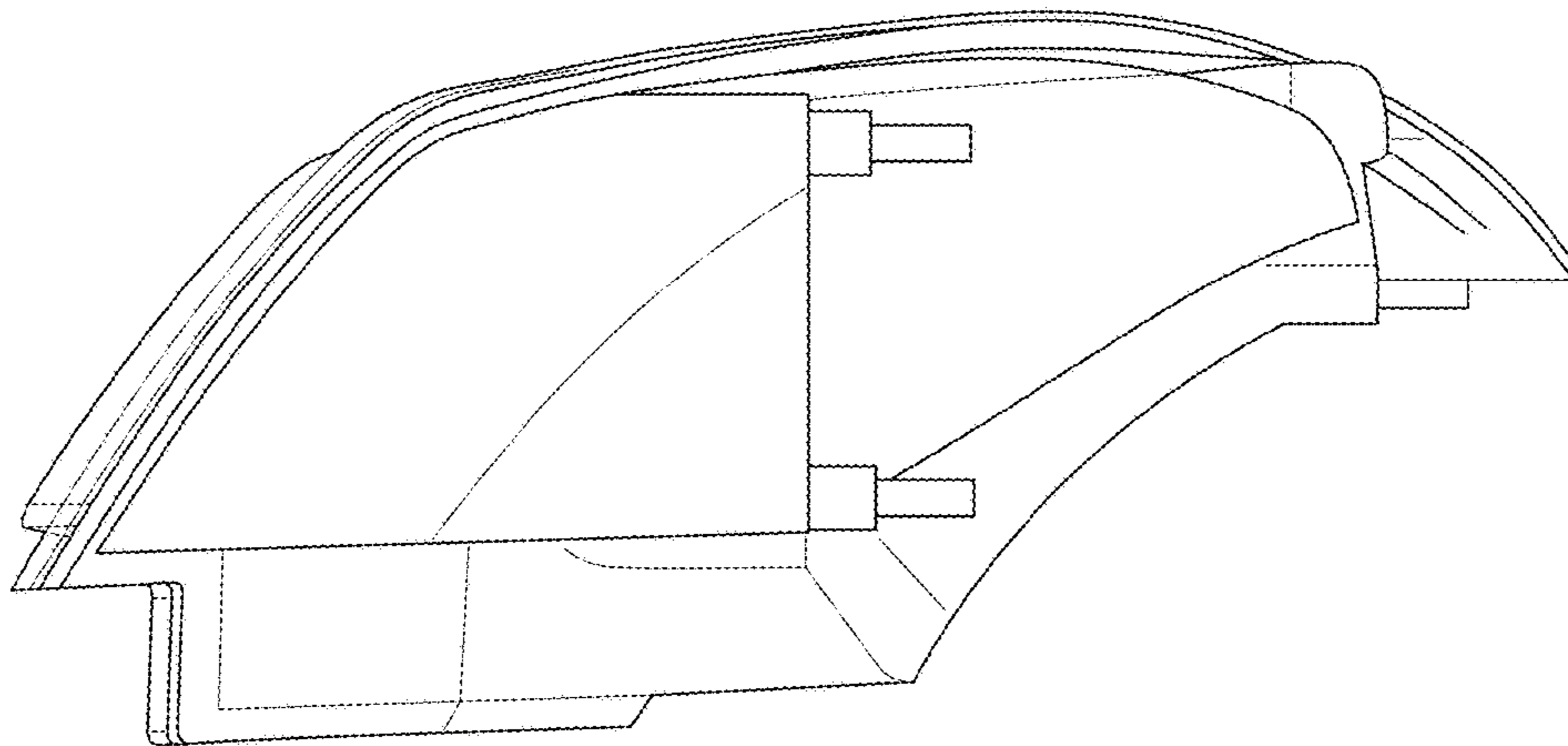
**FIG. 4**



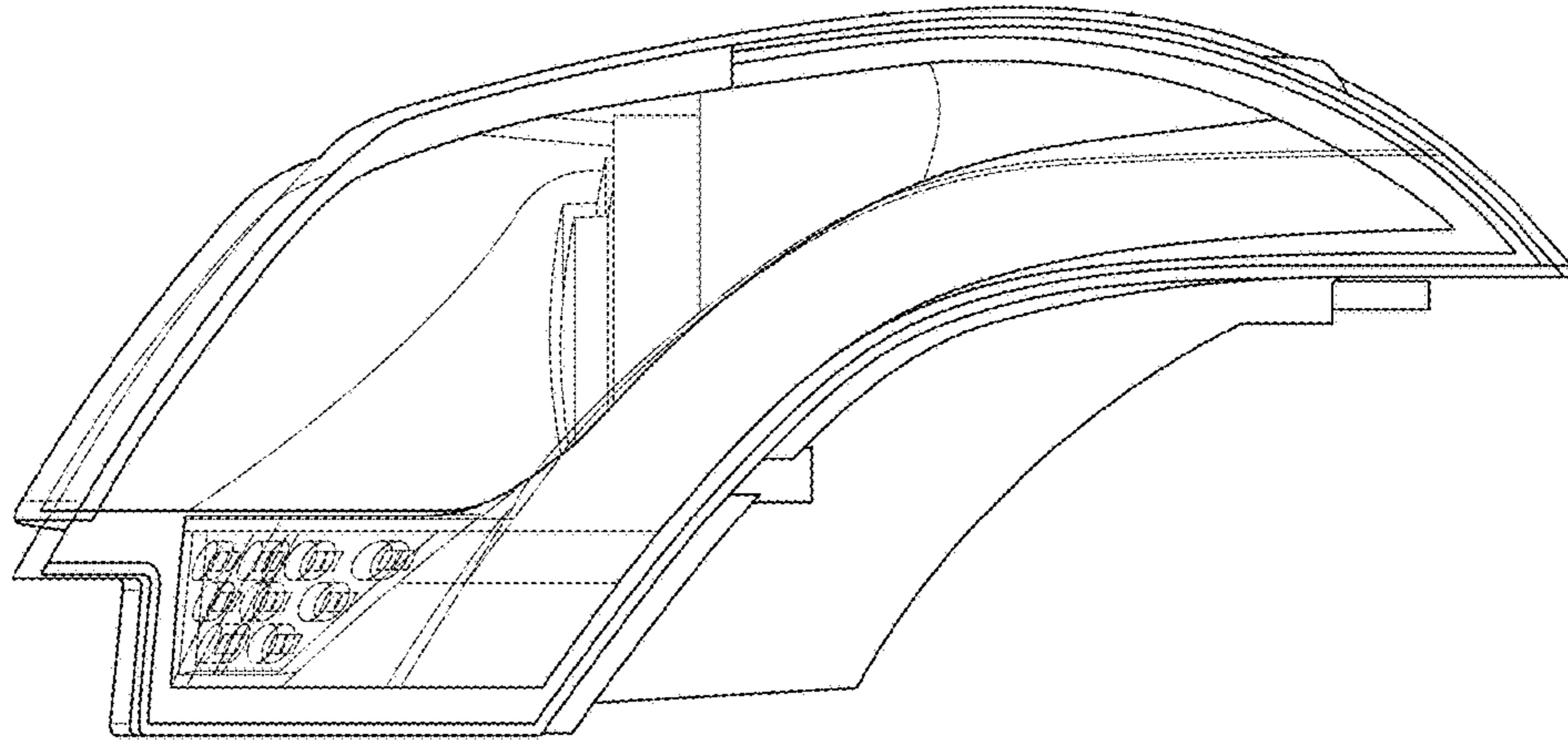
**FIG. 5**



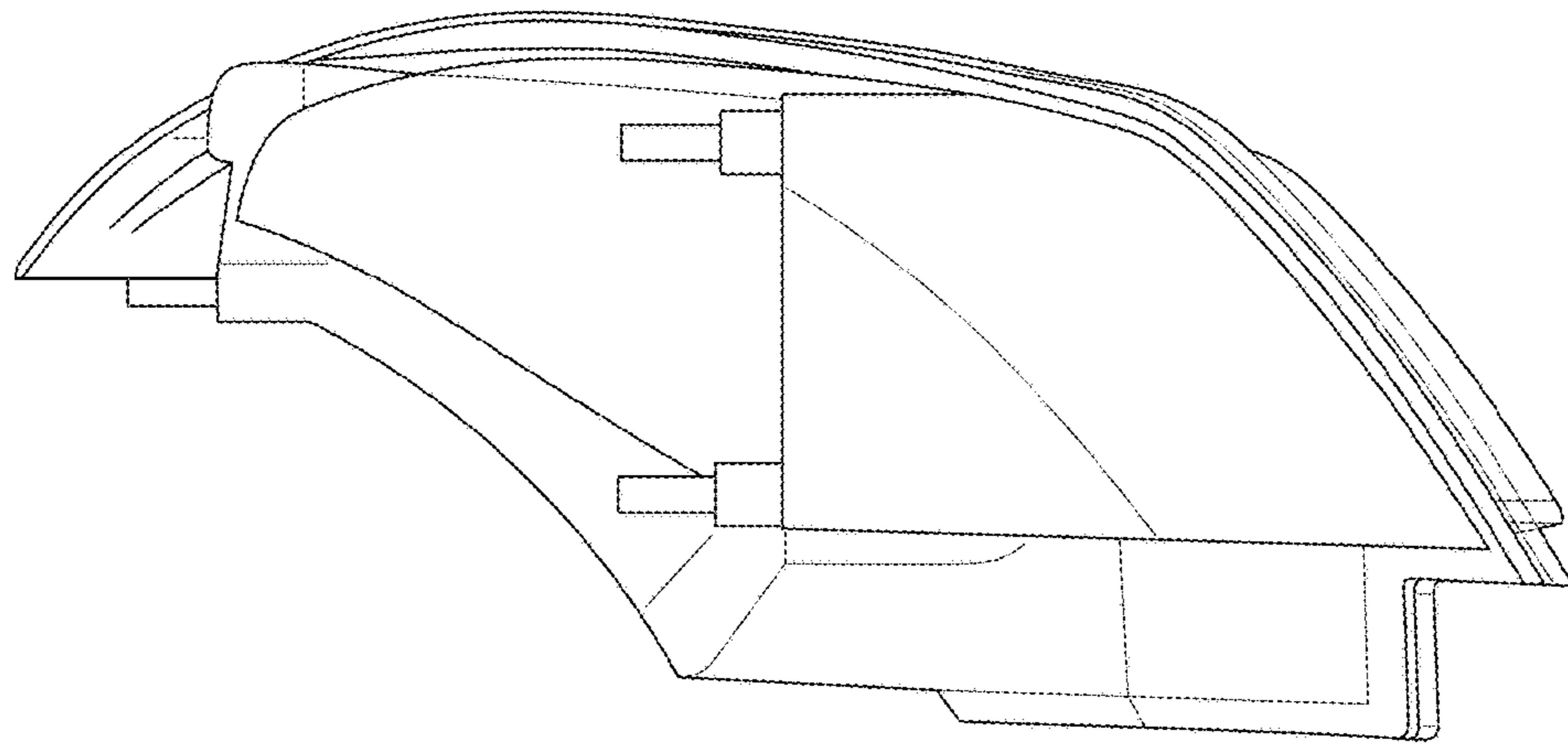
**FIG. 6**



**FIG. 7**



**FIG. 8**



**FIG. 9**