



US00D855836S

(12) **United States Design Patent**
Marshall et al.

(10) **Patent No.:** **US D855,836 S**
(45) **Date of Patent:** **** Aug. 6, 2019**

(54) TRIM EXTRUSION SET	4,986,332 A * 1/1991 Lanuza E06B 9/521 52/222
(71) Applicant: Chelsea Building Products, Inc., Oakmont, PA (US)	D426,003 S * 5/2000 Neuhofer, Jr. D25/199 6,385,932 B1 * 5/2002 Melchiori E04F 13/06 52/302.3
(72) Inventors: Philip Marshall , Pittsburgh, PA (US); Eric Stankay , Gibsonia, PA (US); Byron Vrabel , Cheswick, PA (US); Mark Ammer , Baden, PA (US); Mark Lipsius , Gibsonia, PA (US)	D468,452 S * 1/2003 Jones D25/119 D652,532 S * 1/2012 Letham D25/123 D789,559 S * 6/2017 Singh D25/119 D789,560 S * 6/2017 Singh D25/119 D790,078 S * 6/2017 Singh D25/119

(Continued)

(73) Assignee: **Chelsea Building Products, Inc.,**
Oakmont, PA (US)

Primary Examiner — Cynthia Ramirez

Assistant Examiner — L. Martinez

(**) Term: **15 Years**

(74) *Attorney, Agent, or Firm* — Vorys, Sater, Seymour
and Pease LLP

(21) Appl. No.: **29/648,644**

(22) Filed: **May 23, 2018**

(51) **LOC (12) Cl.** **25-01**

(57) **CLAIM**

(52) **U.S. Cl.**
USPC **D25/119**

The ornamental design for a trim extrusion set, as shown and described.

(58) **Field of Classification Search**

DESCRIPTION

USPC D25/60, 119–126, 164, 199; D8/354
CPC ... E06B 1/02; E06B 1/04; E06B 1/045; E06B
1/12; E06B 1/14; E06B 1/2403; E06B
1/26; E06B 1/28; E06B 1/34; E06B
1/342; E06B 1/52; E06B 1/524; E06B
1/64; E06B 1/68; E06B 7/00; E06B 7/02;
E06B 7/14; E06B 7/16; E06B 7/18; E06B
7/22; E06B 7/26; E04F 19/02; E04F
19/022; E04F 19/026; E04F 19/028; E04F
19/06; E04F 19/061; E04F 19/062; E04F
19/063; E04F 19/064; E04F 13/21; E04F
13/26; E04F 13/28

See application file for complete search history.

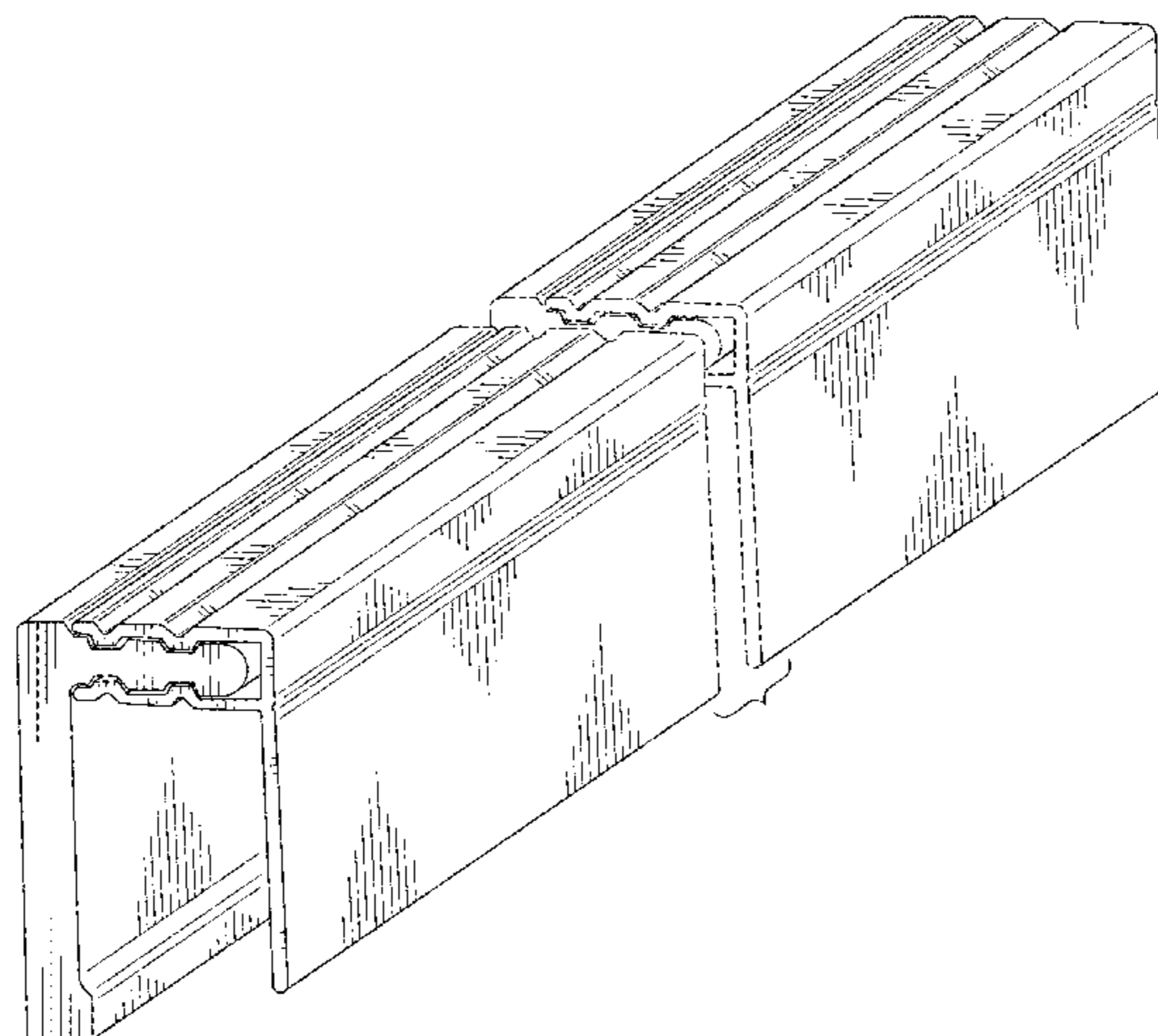
FIG. 1 is an isometric view of a trim extrusion set according to the present disclosure.
FIG. 2 is an exploded view of the trim extrusion set of FIG. 1.
FIG. 3 is a left side view of the trim extrusion set of FIG. 1. The right side view of the trim extrusion set of FIG. 1 is a mirror image of the left side view.
FIG. 4 is a rear view of the trim extrusion set of FIG. 1.
FIG. 5 is a front view of the trim extrusion set of FIG. 1.
FIG. 6 is a top view of the trim extrusion set of FIG. 1; and, FIG. 7 is a bottom view of the trim extrusion set of FIG. 1. The trim extrusion set is shown with two parallel dash-dot break lines that represent the bounds of the claim. The appearance of any portion of the trim extrusion set between the break lines forms no part of the claimed design.

(56) **References Cited**

U.S. PATENT DOCUMENTS

4,333,284 A * 6/1982 Meadows E06B 3/285
160/179
4,972,640 A * 11/1990 DiFazio E06B 1/342
52/204.53

1 Claim, 5 Drawing Sheets



(56)

References Cited

U.S. PATENT DOCUMENTS

D791,350 S * 7/2017 Singh D25/119
D791,351 S * 7/2017 Singh D25/119
9,845,638 B1 * 12/2017 Cunningham E06B 7/16
D814,063 S * 3/2018 Singh D25/119
D825,782 S * 8/2018 Inzeo D25/119
D834,729 S * 11/2018 Lee D25/119
D837,409 S * 1/2019 Troutt D25/60
2002/0050109 A1 * 5/2002 Grosjean E04F 19/062
52/393
2002/0116890 A1 * 8/2002 Moore, Jr. E04B 2/8635
52/578
2006/0207197 A1 * 9/2006 Anderson E06B 1/34
52/211
2008/0263983 A1 * 10/2008 Stanchfield E04F 19/061
52/459
2012/0328823 A1 * 12/2012 Monteer E06B 7/14
428/99
2013/0047532 A1 * 2/2013 Armacost E04F 13/21
52/288.1
2015/0233177 A1 * 8/2015 Marchand E06B 1/52
160/378
2017/0051552 A1 * 2/2017 Rosende E06B 1/68
2017/0260752 A1 * 9/2017 Bilge E04F 19/061

* cited by examiner

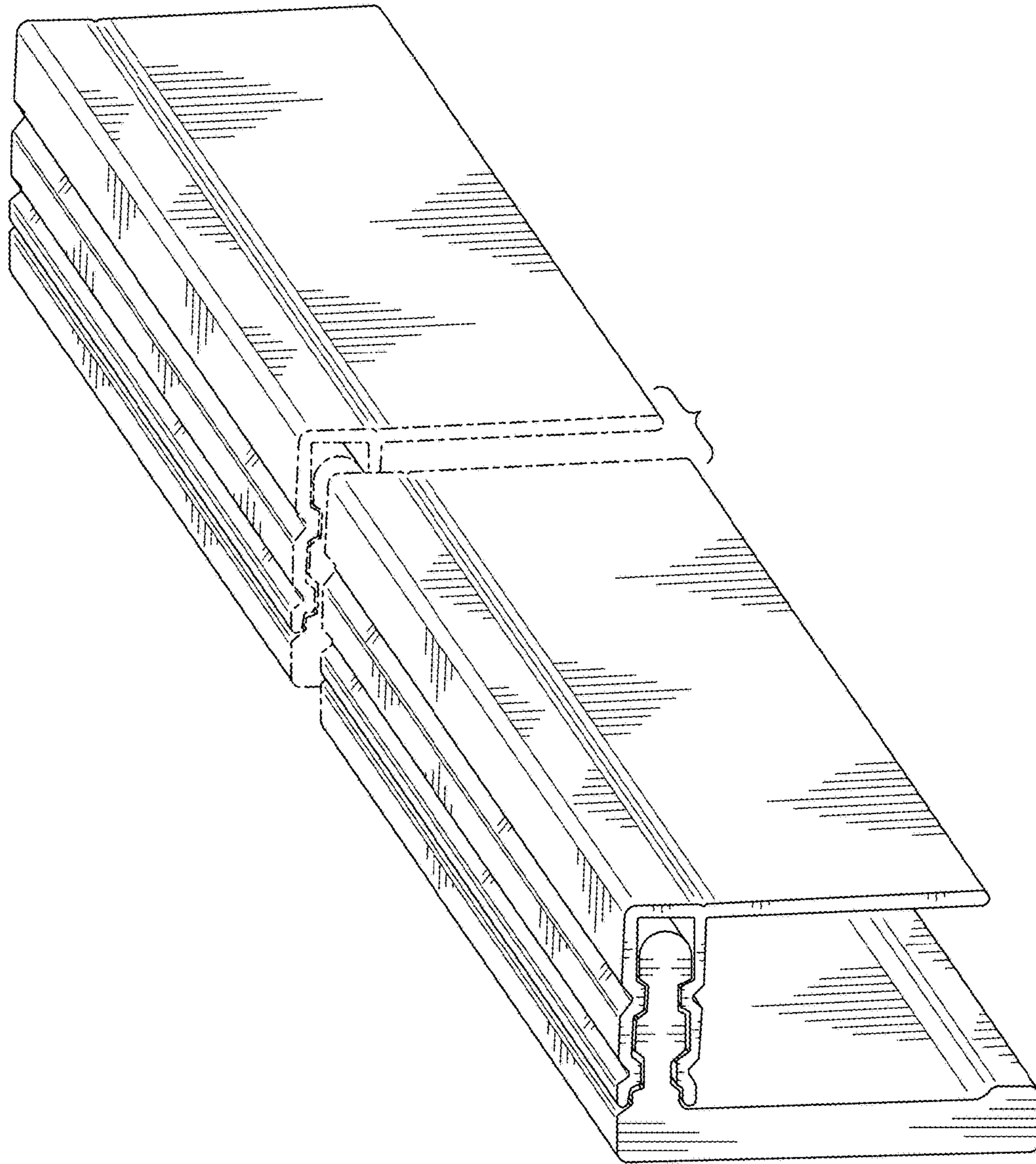


FIG. 1

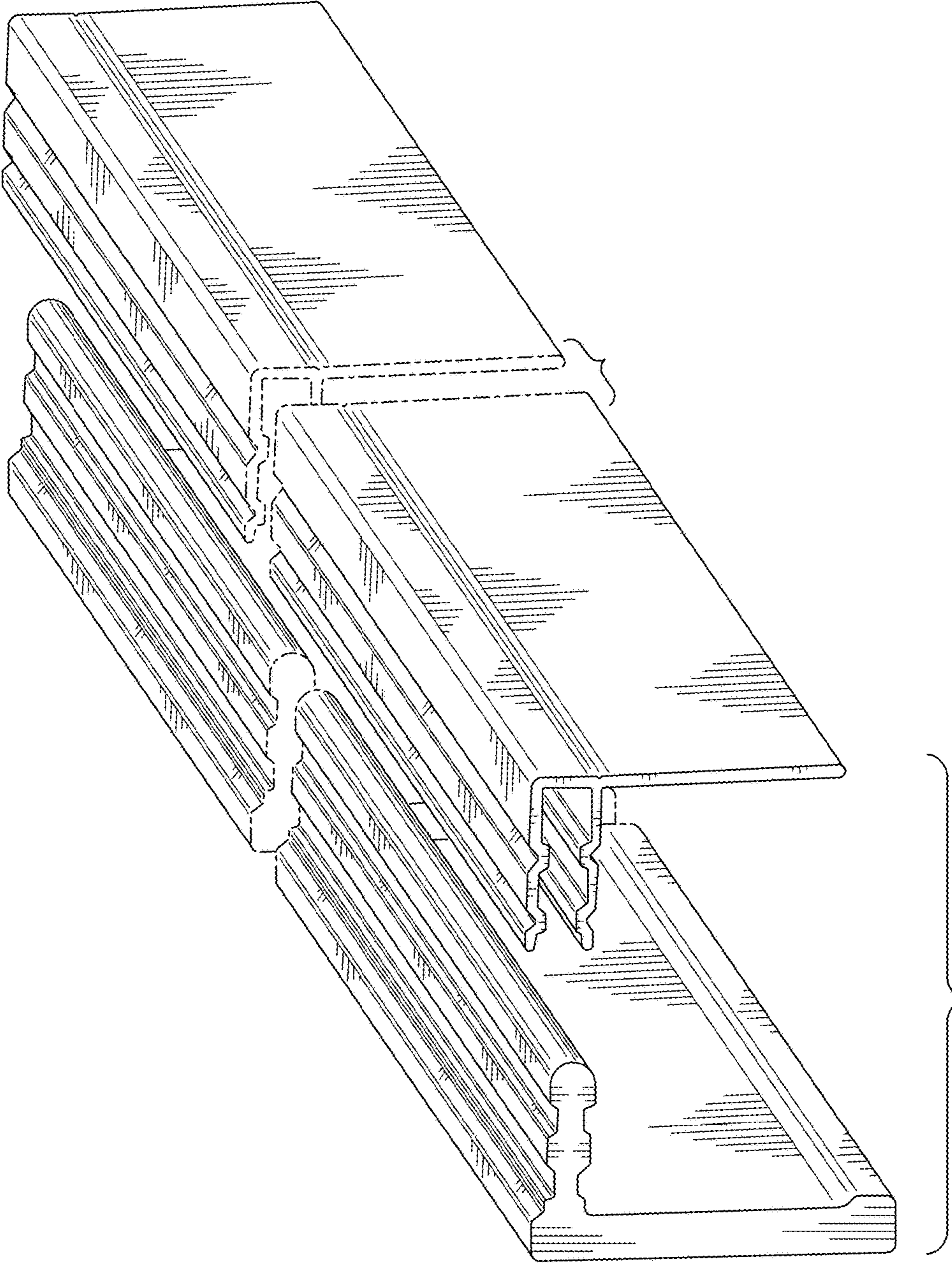


FIG. 2

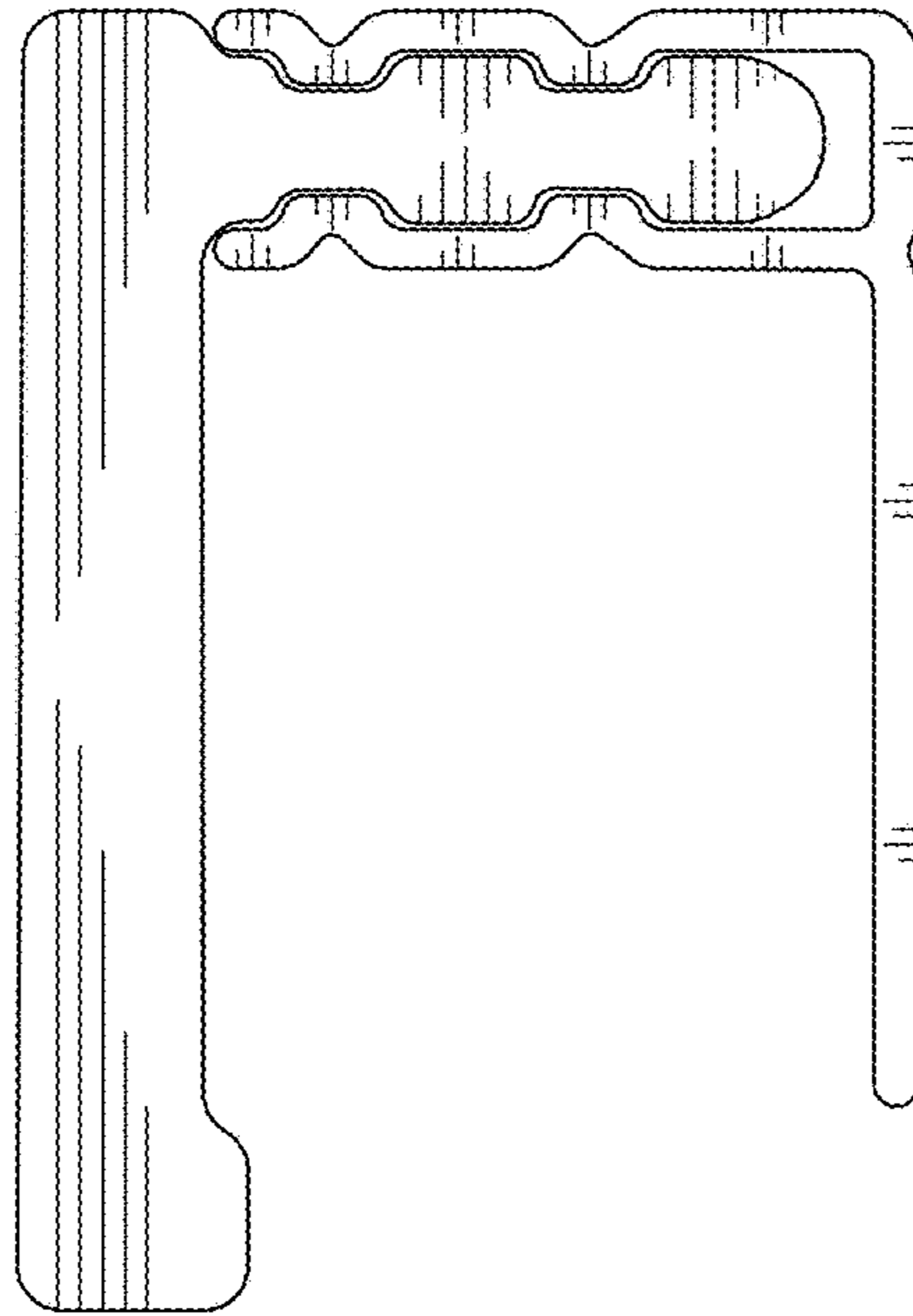


FIG. 3

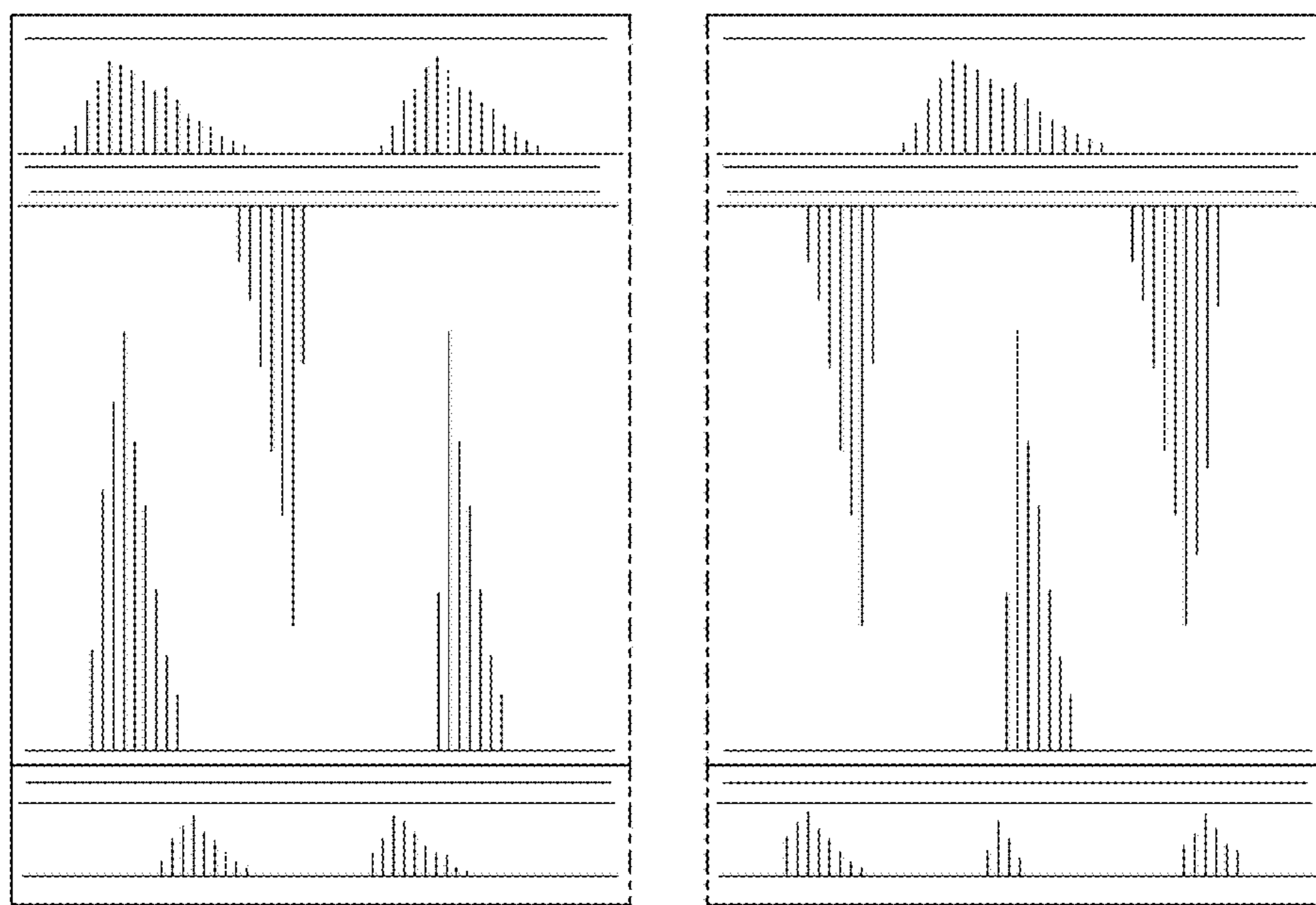


FIG. 4

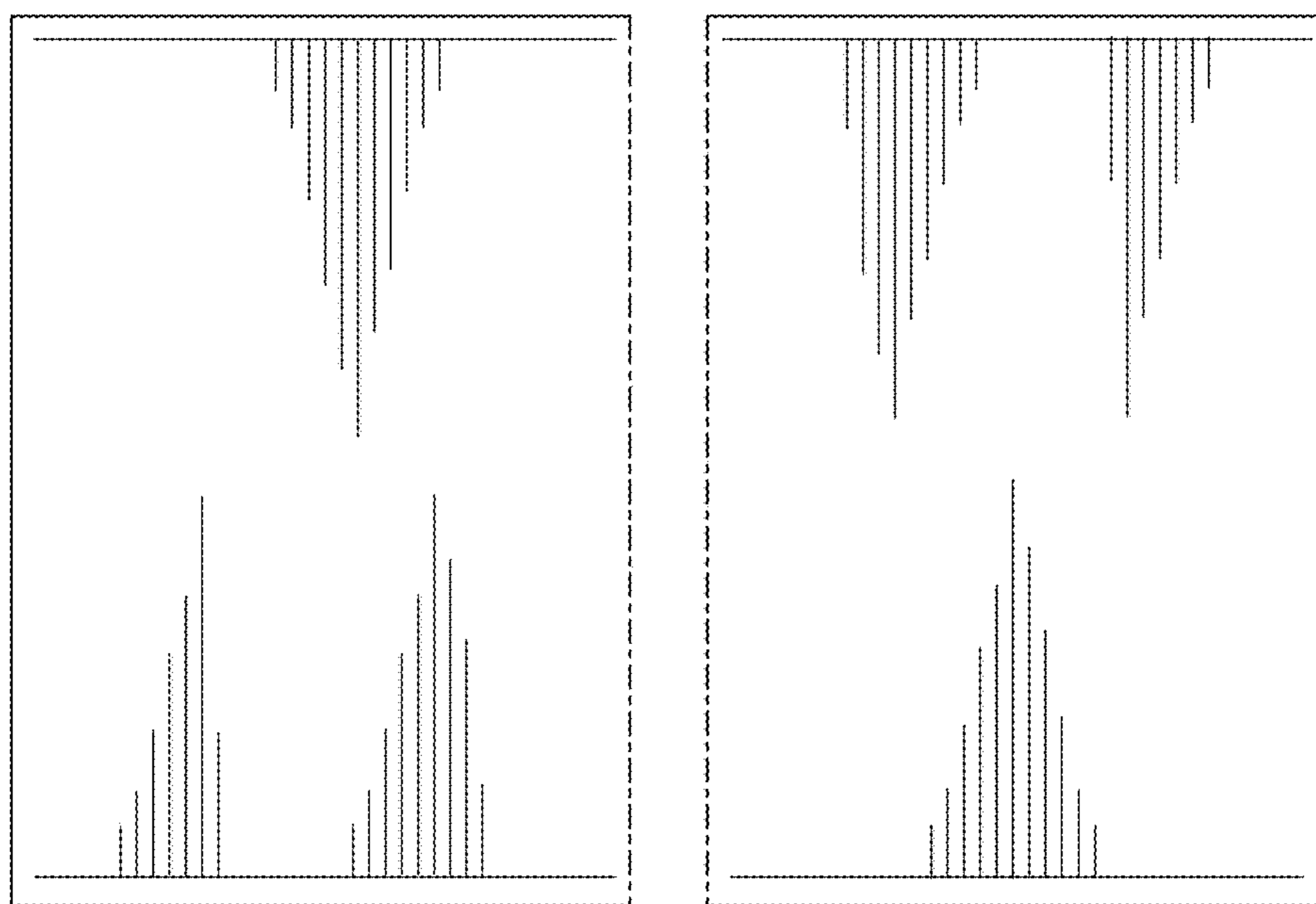


FIG. 5

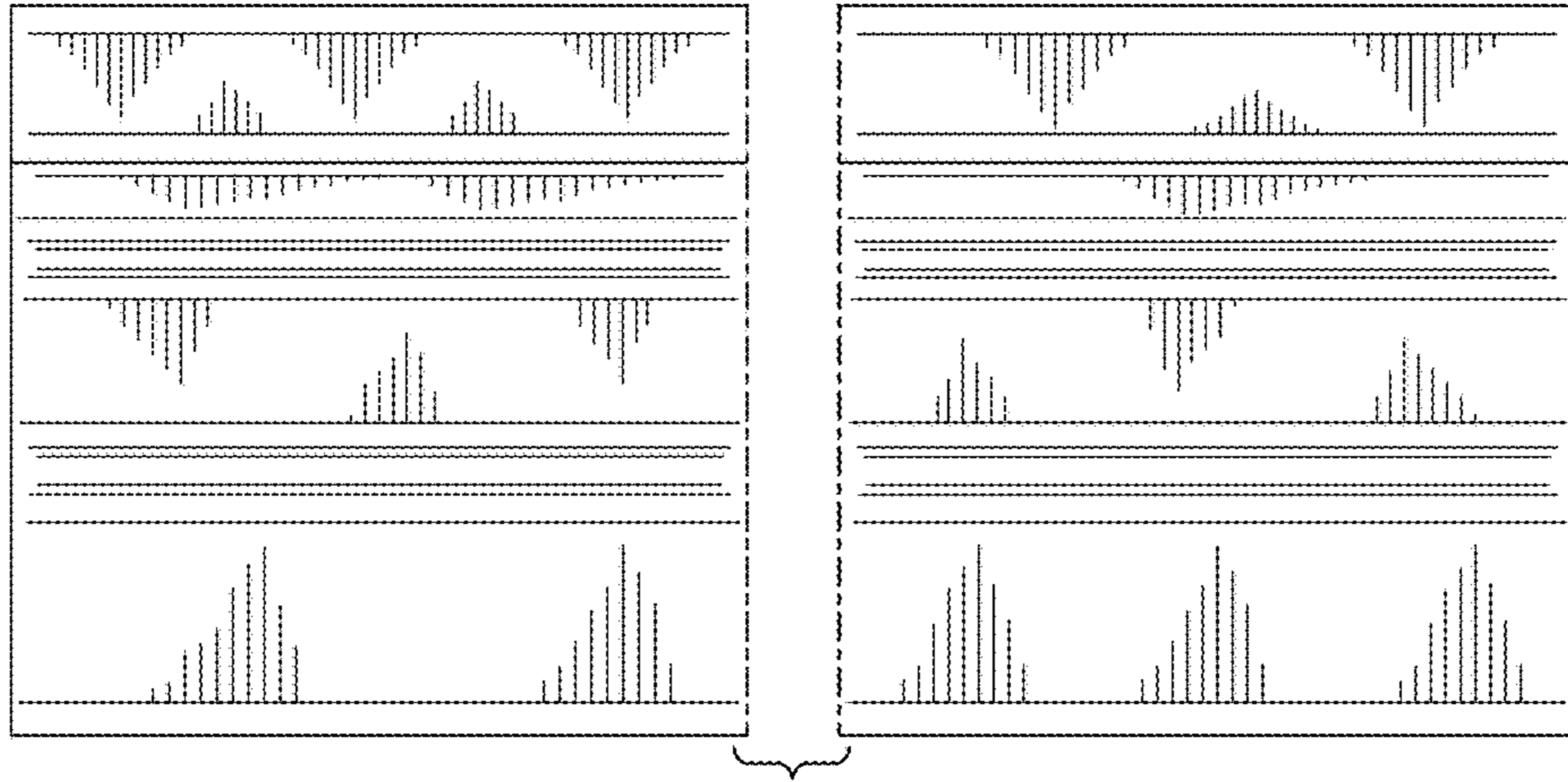


FIG. 6

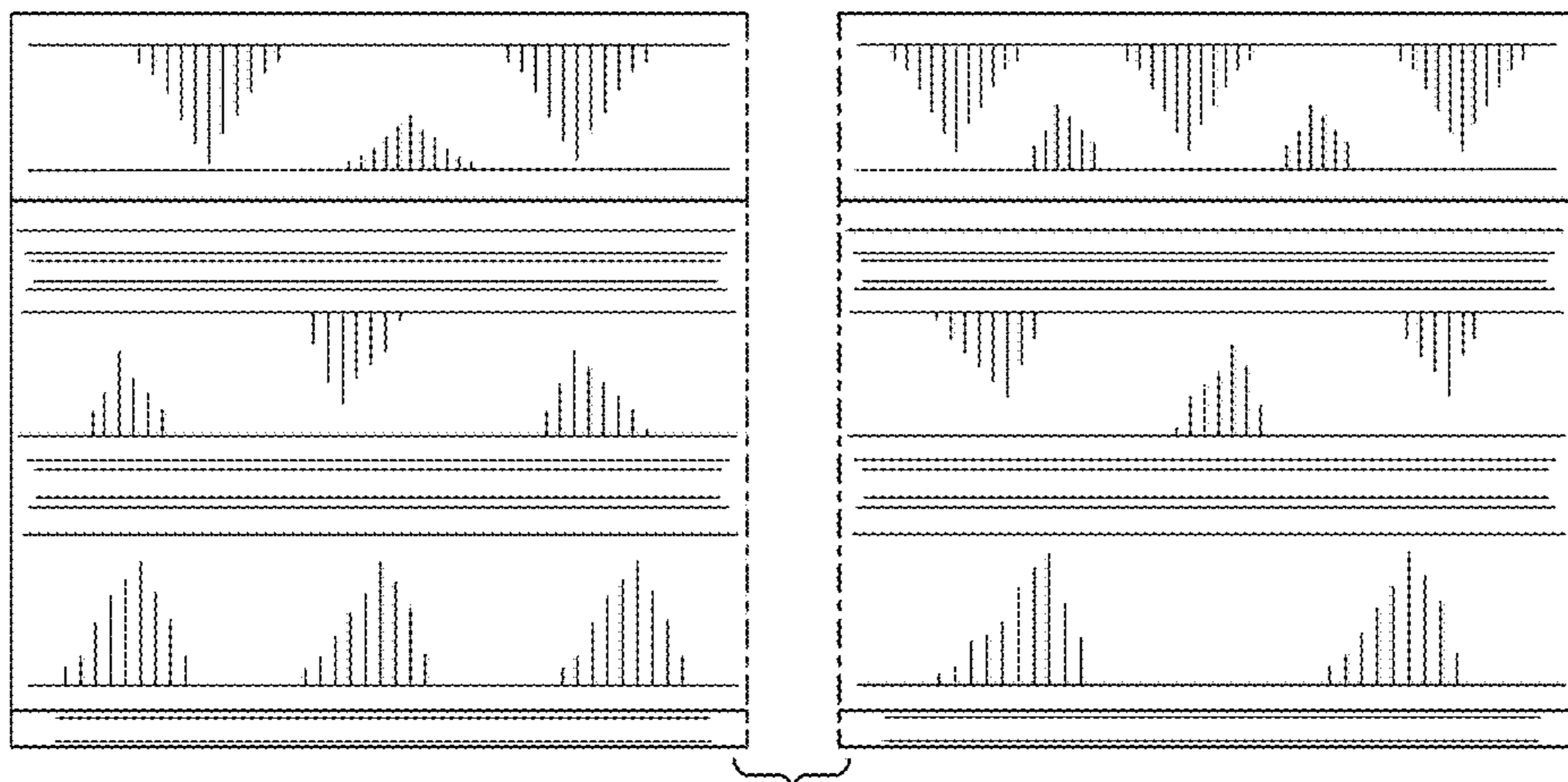


FIG. 7