



US00D855834S

(12) **United States Design Patent** (10) **Patent No.:** **US D855,834 S**  
**Amrein et al.** (45) **Date of Patent:** **\*\* Aug. 6, 2019**

(54) **BLOCK INSERT** 6,565,288 B1 \* 5/2003 McCallion ..... E02D 5/74  
405/259.5

(71) Applicants: **John T. Amrein**, Shawnee, KS (US); D479,343 S \* 9/2003 Wagg ..... D25/113  
**Darren O'Rourke**, Shawnee, KS (US) 7,083,364 B2 \* 8/2006 Kim ..... E02D 29/0225  
405/284

(72) Inventors: **John T. Amrein**, Shawnee, KS (US); D625,028 S \* 10/2010 Bott ..... D25/113  
**Darren O'Rourke**, Shawnee, KS (US) D636,897 S \* 4/2011 Bott ..... D25/113  
8,136,325 B1 \* 3/2012 Van Lerberg ..... B28B 7/0014  
52/592.3

(\*\*) Term: **15 Years** D732,699 S \* 6/2015 Von Handorf ..... D25/113  
D764,897 S \* 8/2016 Partridge ..... H02G 13/00  
D8/349

(21) Appl. No.: **29/593,436** 2003/0037505 A1 \* 2/2003 Schulze ..... E04B 1/355  
52/677

(22) Filed: **Feb. 8, 2017** 2003/0070385 A1 4/2003 Bott  
(Continued)

(51) **LOC (12) Cl.** ..... **25-01**

(52) **U.S. Cl.**  
USPC ..... **D25/113**

(58) **Field of Classification Search**  
USPC ..... D8/354, 373, 382, 385, 386, 399;  
D25/113-118, 138, 152-157, 163, 199  
CPC ... E04B 1/41; E04B 1/355; E04C 1/39; E02B  
3/066; E02D 29/02; E02D 29/0225; E02D  
29/0233; E02D 5/74  
See application file for complete search history.

FOREIGN PATENT DOCUMENTS

JP D1529488 \* 7/2015  
*Primary Examiner* — Leanne Was-Englehart  
(74) *Attorney, Agent, or Firm* — Polsinelli PC; Adam C. Rehm

(57) **CLAIM**

The ornamental design for a block insert, as shown and described.

**DESCRIPTION**

FIG. 1 is a rear, top side perspective view of a block insert of the new design;  
FIG. 2 is a rear side elevation view thereof;  
FIG. 3 is a front side elevation view thereof;  
FIG. 4 is a right side elevation view thereof;  
FIG. 5 is a left side elevation view thereof;  
FIG. 6 is a top plan view thereof; and,  
FIG. 7 is a bottom plan view thereof.  
The broken lines depict the bounds of the claimed design. The broken lines form no part of the claimed design.

**1 Claim, 4 Drawing Sheets**

(56) **References Cited**

U.S. PATENT DOCUMENTS

2,390,929 A \* 12/1945 Ellis ..... E04B 1/41  
411/456

4,189,891 A \* 2/1980 Johnson ..... E02D 5/74  
52/741.13

4,448,571 A 5/1984 Eckels

5,474,405 A 12/1995 Anderson et al.

5,533,839 A 7/1996 Shimada

5,921,715 A 7/1999 Rainey

D421,896 S \* 3/2000 Hamernik ..... D8/382

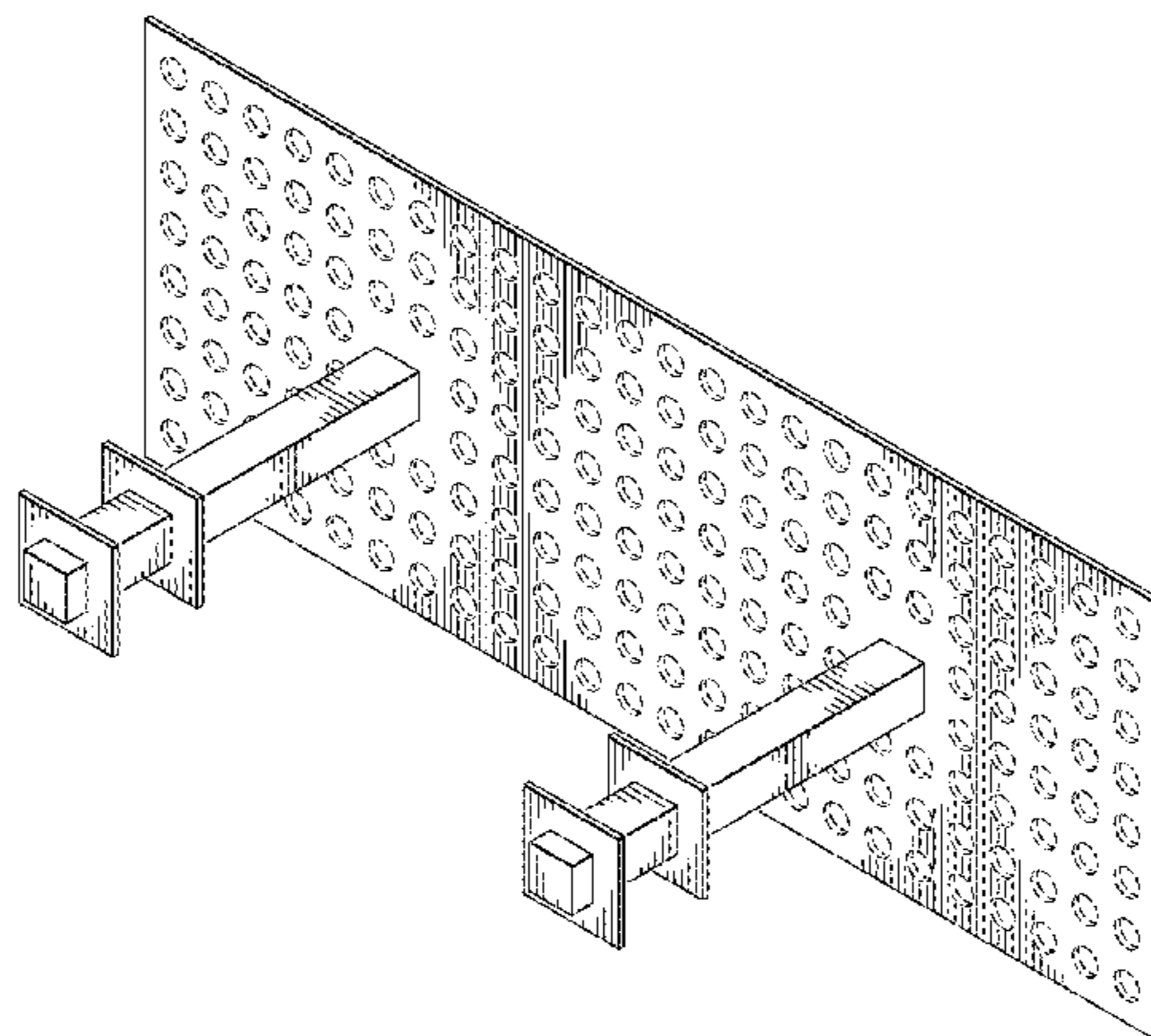
D422,092 S \* 3/2000 Perkins ..... D25/113

6,168,351 B1 1/2001 Lagman

6,269,606 B1 \* 8/2001 McCown ..... E02D 5/74  
52/741.13

6,299,386 B1 \* 10/2001 Byrne ..... E02D 5/74  
405/262

6,401,406 B1 \* 6/2002 Komara ..... E04B 1/4157  
52/127.3



(56)

**References Cited**

U.S. PATENT DOCUMENTS

2009/0041552 A1 2/2009 Hammer  
2012/0063853 A1 3/2012 Bott  
2013/0022403 A1 1/2013 Freitag et al.  
2014/0102028 A1\* 4/2014 Bethlenny, Jr. .... E04C 1/39  
52/503  
2014/0260038 A1\* 9/2014 Giarritta ..... B29D 99/0021  
52/439  
2015/0071715 A1 3/2015 Hammer et al.  
2015/0159339 A1 6/2015 Castonguay et al.  
2016/0130780 A1 5/2016 Castonguay et al.  
2018/0010337 A1\* 1/2018 Giarritta ..... B29D 99/0021

\* cited by examiner

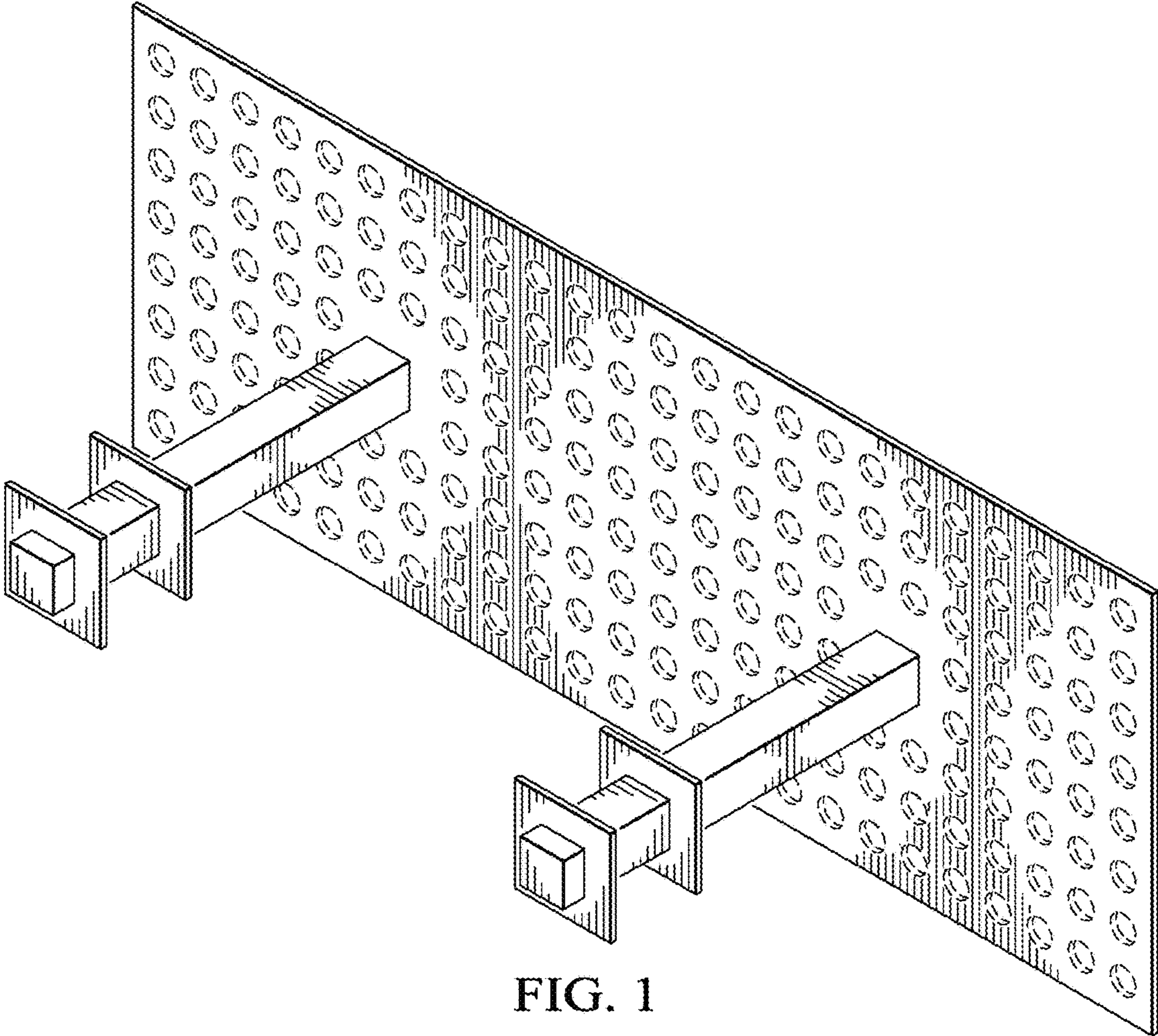


FIG. 1

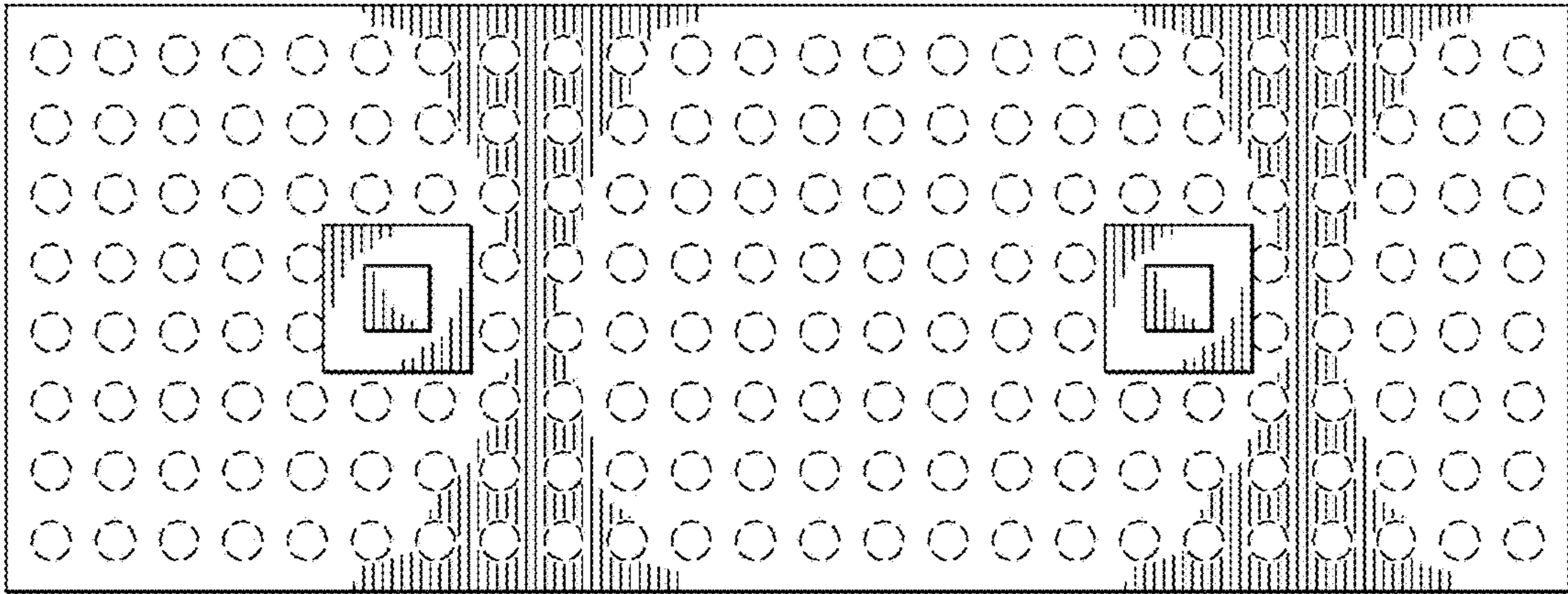


FIG. 2

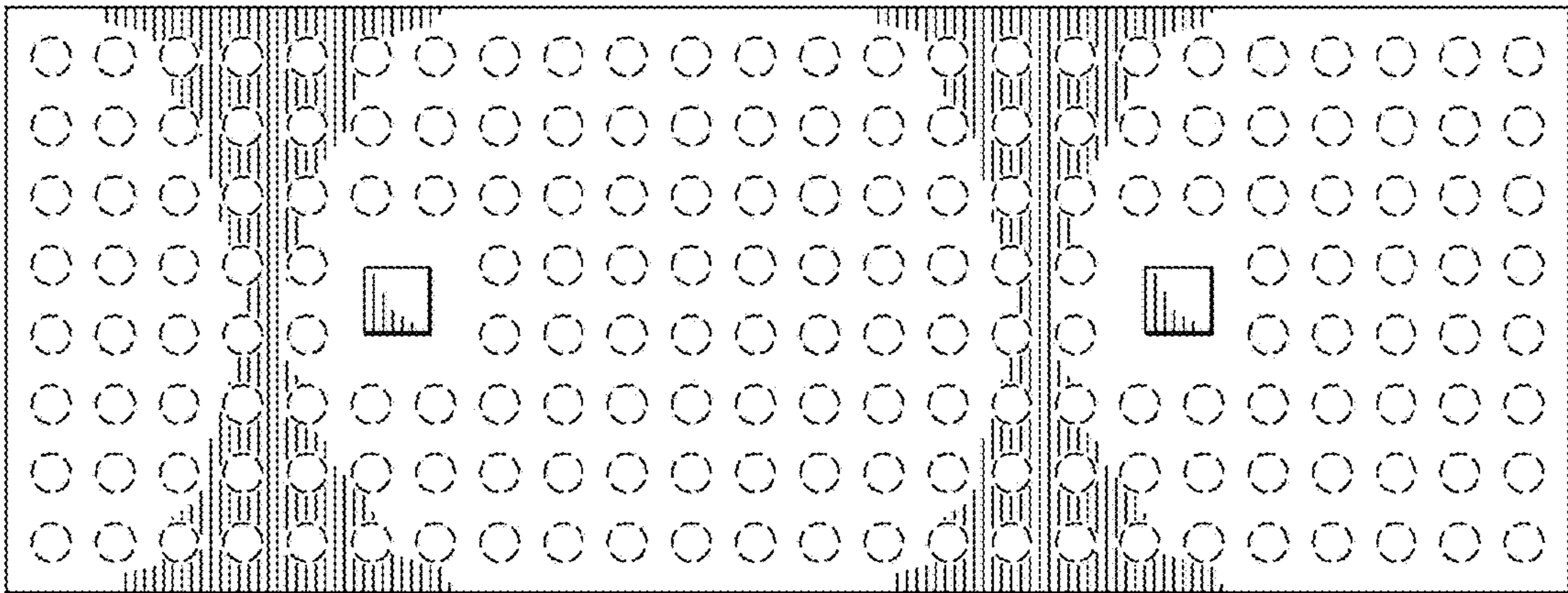


FIG. 3

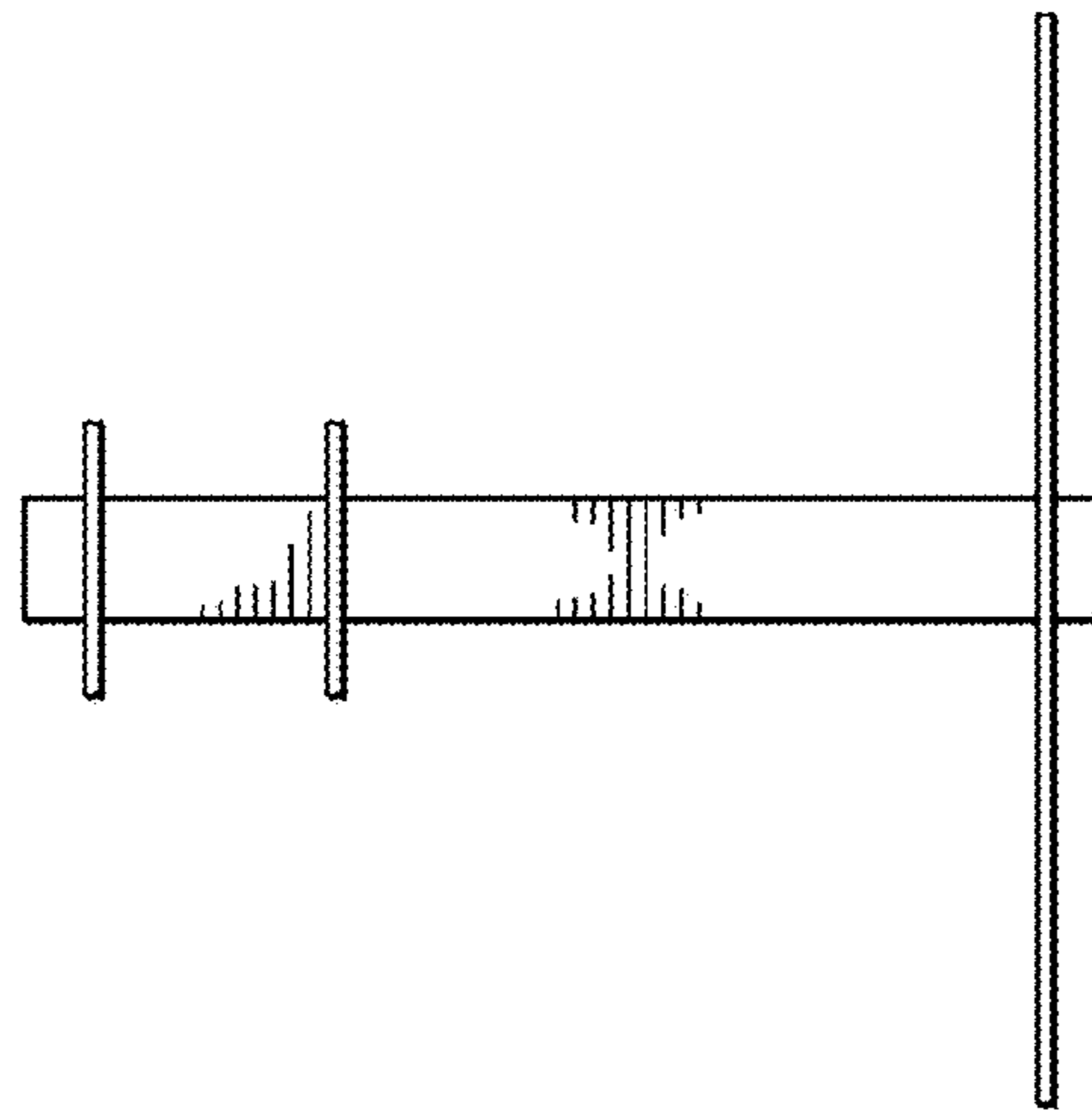


FIG. 4

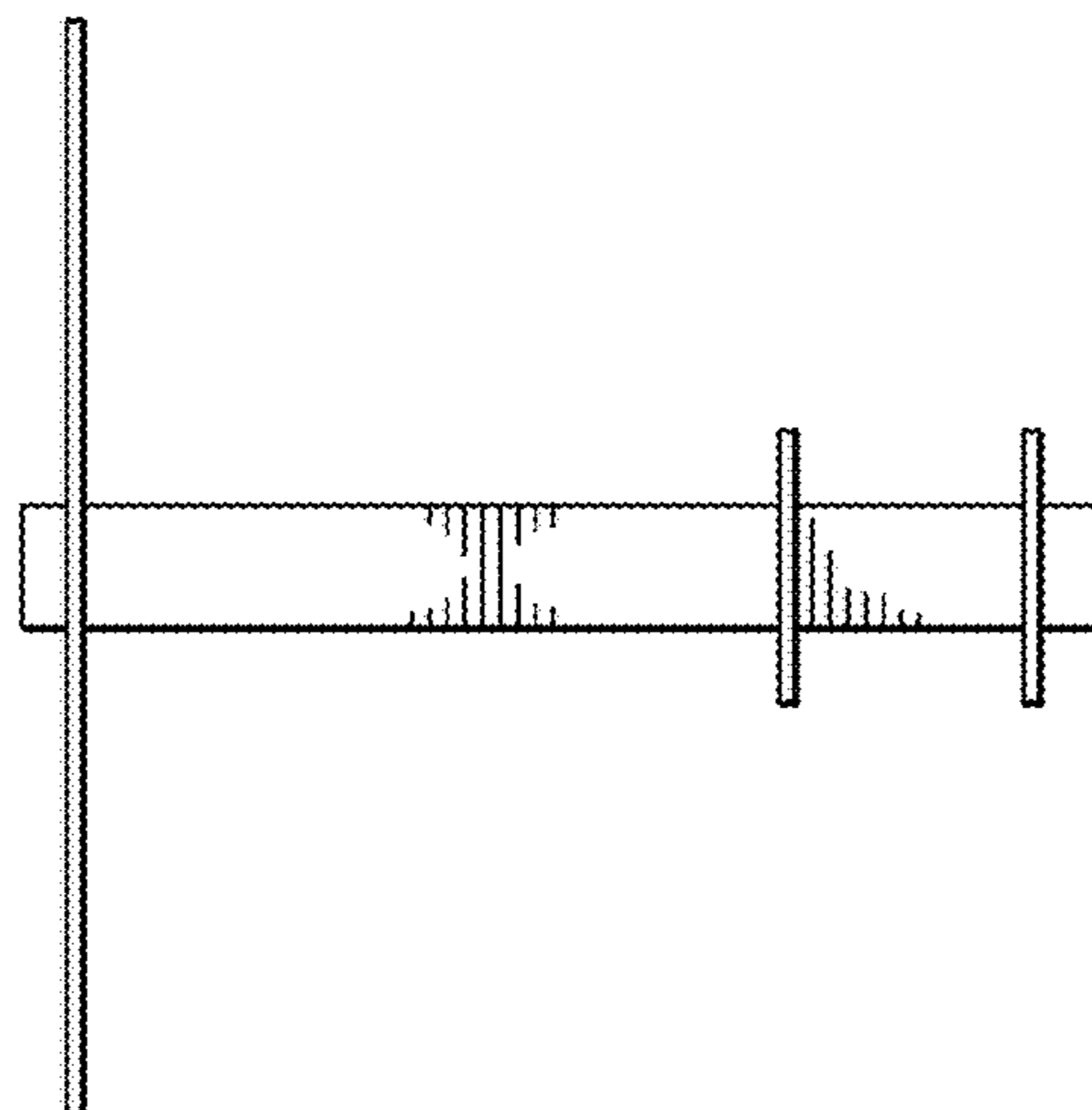


FIG. 5

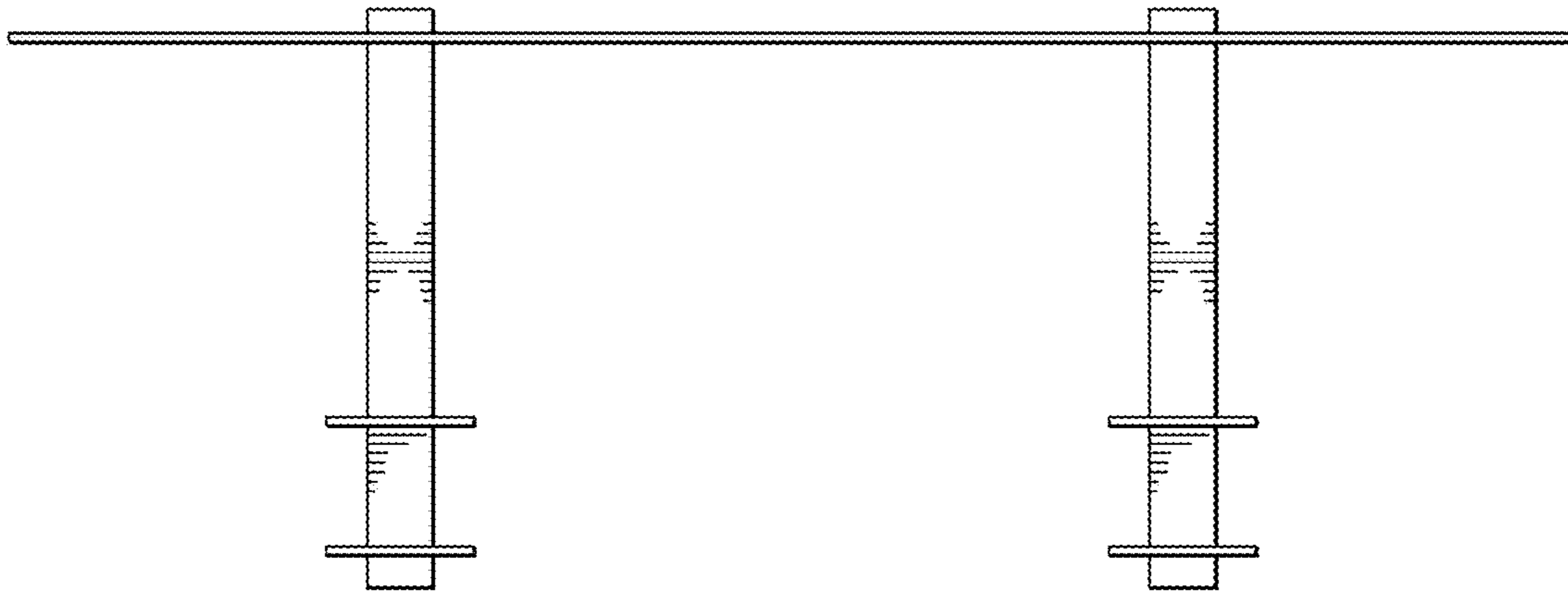


FIG. 6



FIG. 7