



US00D855832S

(12) **United States Design Patent**
Chapman

(10) **Patent No.:** **US D855,832 S**

(45) **Date of Patent:** **** Aug. 6, 2019**

(54) **DOOR JAMB WITH DOUBLE WOOL PILE**

(71) Applicant: **Global Products International Group, LLC, Atlanta, GA (US)**

(72) Inventor: **G. Paul Chapman, Cumming, GA (US)**

(73) Assignee: **Global Products International Group, LLC, Atlanta, GA (US)**

(**) Term: **15 Years**

(21) Appl. No.: **29/643,393**

(22) Filed: **Apr. 9, 2018**

5,836,118	A *	11/1998	Thornton	E06B 1/34
					52/204.1
5,987,843	A *	11/1999	Canfield	E06B 1/32
					49/504
6,295,779	B1 *	10/2001	Canfield	E06B 1/32
					49/504
D474,283	S *	5/2003	Graber	D25/60
D725,796	S *	3/2015	Van Camp	D25/119
D815,304	S *	4/2018	Chapman	D25/60
2002/0078640	A1 *	6/2002	Petta	E06B 1/34
					52/204.1
2002/0083663	A1 *	7/2002	Ballantyne	E06B 1/32
					52/204.1
2005/0126089	A1 *	6/2005	Liu	E06B 1/6092
					52/204.1
2005/0257455	A1 *	11/2005	Fagan	E06B 1/26
					52/210

(Continued)

Related U.S. Application Data

(62) Division of application No. 29/578,878, filed on Sep. 26, 2016, now Pat. No. Des. 815,304.

(51) **LOC (12) Cl.** **25-01**

(52) **U.S. Cl.**
USPC **D25/60; D25/124**

(58) **Field of Classification Search**
USPC D25/60, 61, 119–126
CPC ... E06B 1/32; E06B 1/34; E06B 1/342; E06B 1/52; E06B 1/56; E06B 1/60; E06B 1/6015; E06B 1/6069; E06B 1/6076; E06B 1/6092; E06B 1/62; E06B 1/68; E06B 1/70
See application file for complete search history.

(56) **References Cited**

U.S. PATENT DOCUMENTS

3,782,064	A *	1/1974	Hubbard	E04B 1/70
					52/775
3,961,452	A *	6/1976	Hubbard	E04B 2/764
					52/475.1
D360,267	S *	7/1995	DiGiorgio	D25/124
D376,213	S *	12/1996	Macri	D25/124
D376,856	S *	12/1996	DiGiorgio	D25/124

Primary Examiner — Cynthia Ramirez

Assistant Examiner — L. Martinez

(74) *Attorney, Agent, or Firm* — Thomas | Horstemeyer, LLP

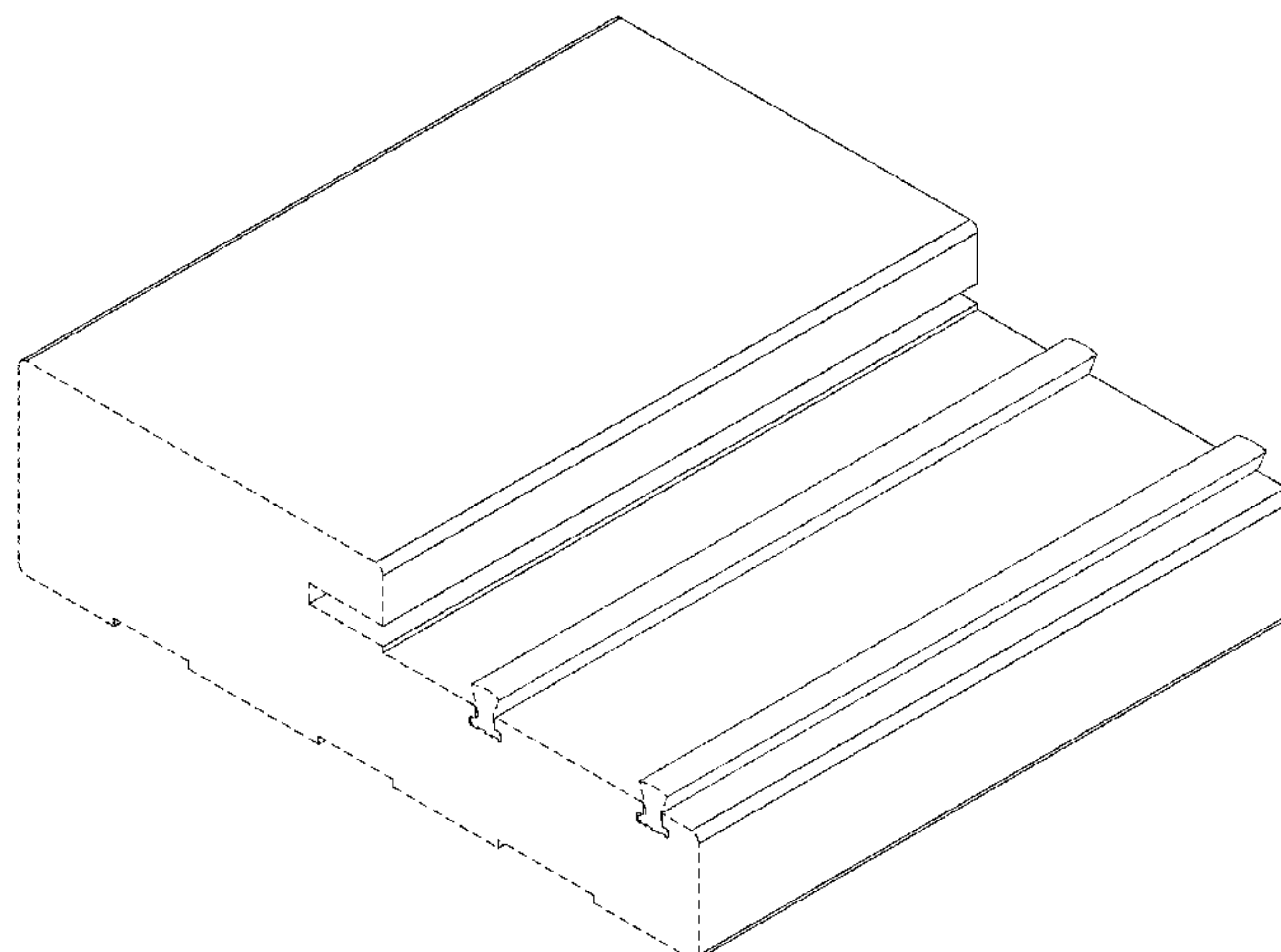
(57) **CLAIM**

The ornamental design for a door jamb with a double wool pile, as shown and described.

DESCRIPTION

FIG. 1 is a front, top perspective view of a door jamb with a double wool pile showing my new design;
FIG. 2 is a rear, bottom perspective view thereof;
FIG. 3 is a top view thereof;
FIG. 4 is a first side view thereof;
FIG. 5 is a bottom view thereof;
FIG. 6 is a second side view thereof;
FIG. 7 is a front elevation view thereof; and,
FIG. 8 is a rear elevation view thereof.
The broken lines in FIGS. 1 through 8 illustrate portions of the door jamb with double wool pile that form no part of the claimed design.

1 Claim, 5 Drawing Sheets



(56)

References Cited

U.S. PATENT DOCUMENTS

2006/0123719 A1* 6/2006 Careri E06B 1/32
52/204.5
2007/0020475 A1* 1/2007 Prince B05D 1/40
428/537.1
2010/0139187 A1* 6/2010 Medina E06B 1/12
52/204.1
2010/0192469 A1* 8/2010 McDaniel E06B 1/70
49/469
2012/0137605 A1* 6/2012 Sibbett E06B 1/32
52/204.1
2013/0229023 A1* 9/2013 Yeremian E05B 15/0205
292/341.14
2013/0276376 A1* 10/2013 Gilbert E06B 1/70
49/469
2014/0069038 A1* 3/2014 Back E06B 1/52
52/210
2016/0230447 A1* 8/2016 Grondin E06B 1/045
2017/0241190 A1* 8/2017 MacDonald E06B 1/34
2017/0342764 A1* 11/2017 Headrick E06B 1/70

* cited by examiner

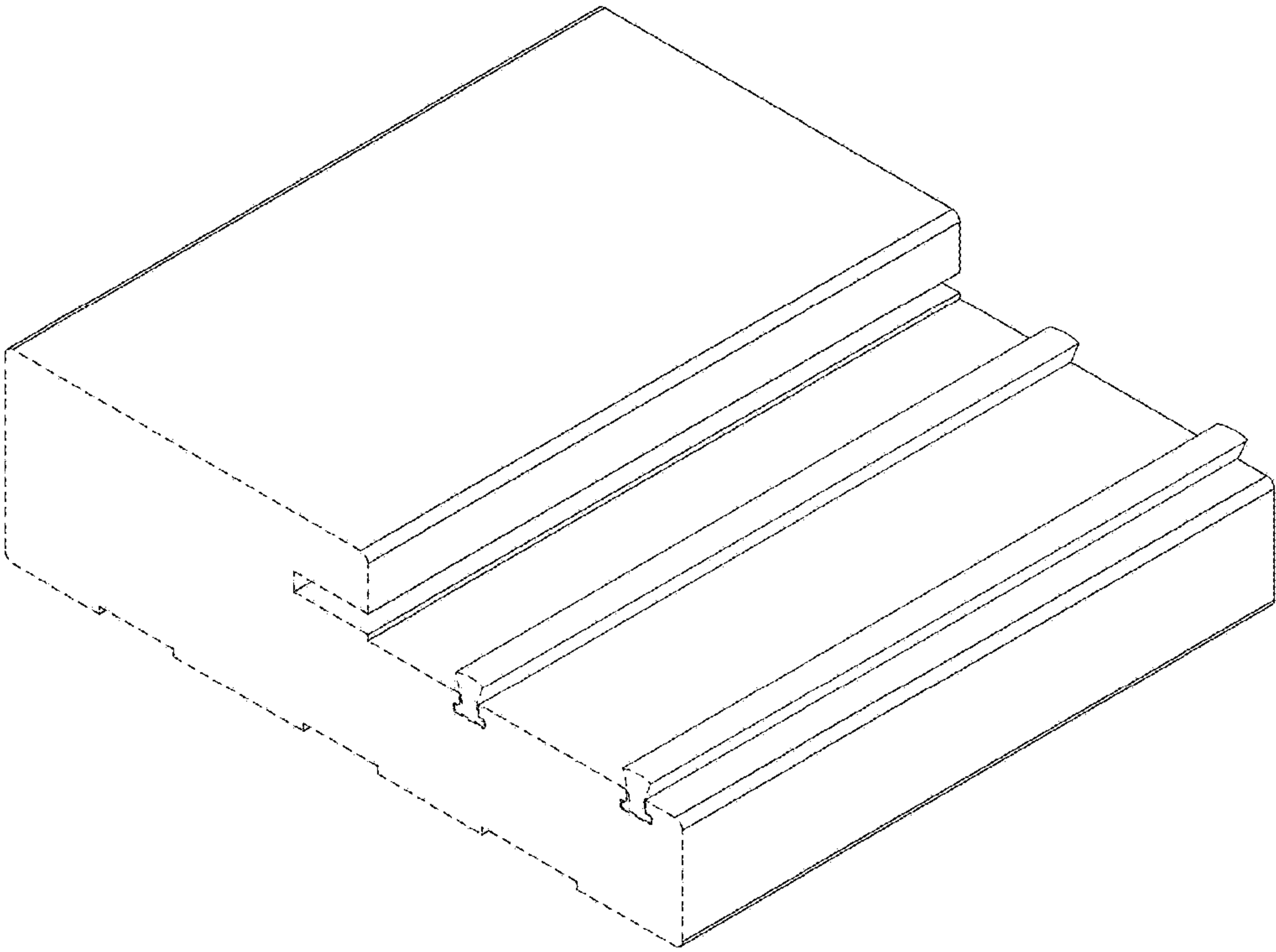


FIG. 1

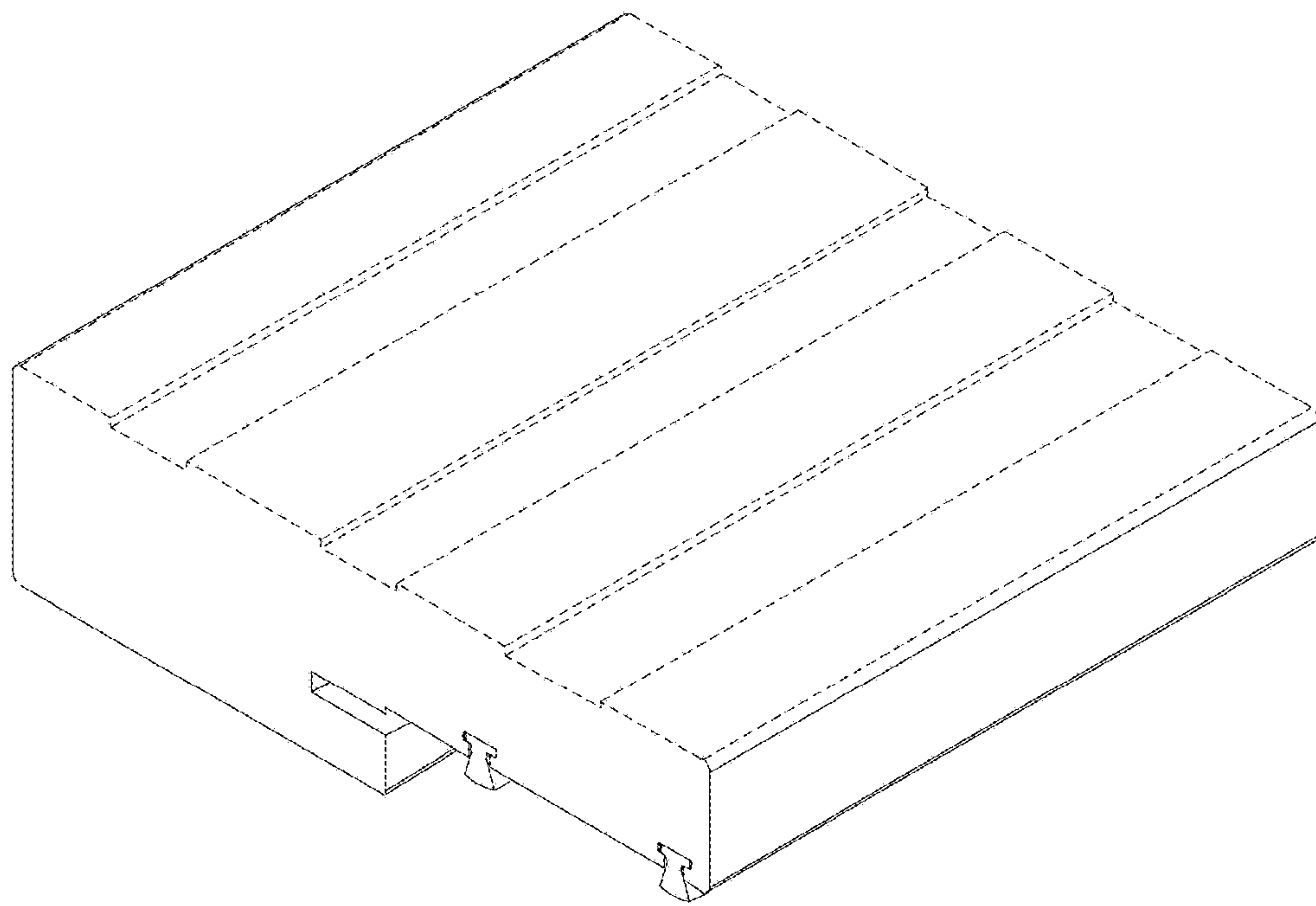


FIG. 2

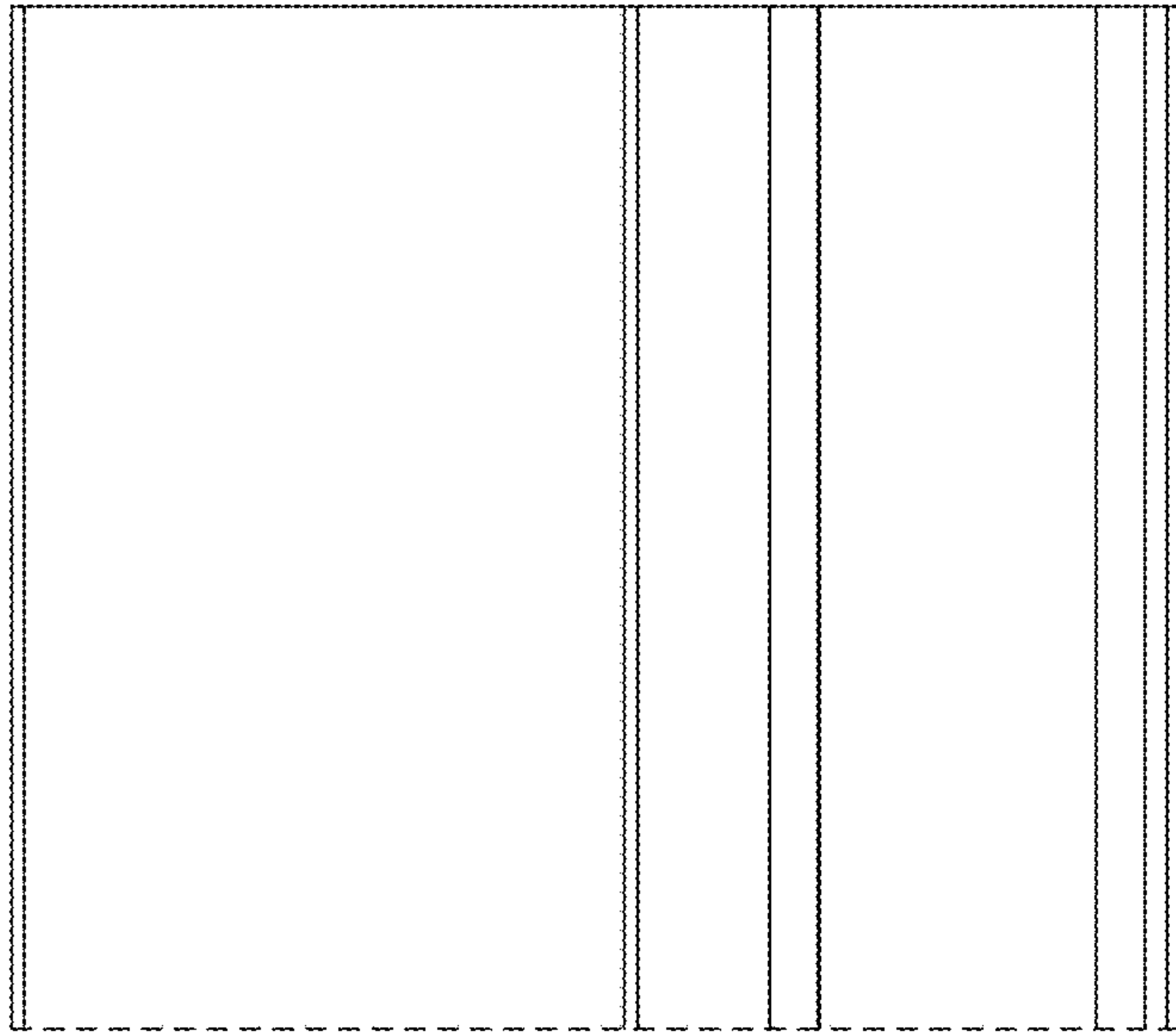


FIG. 3

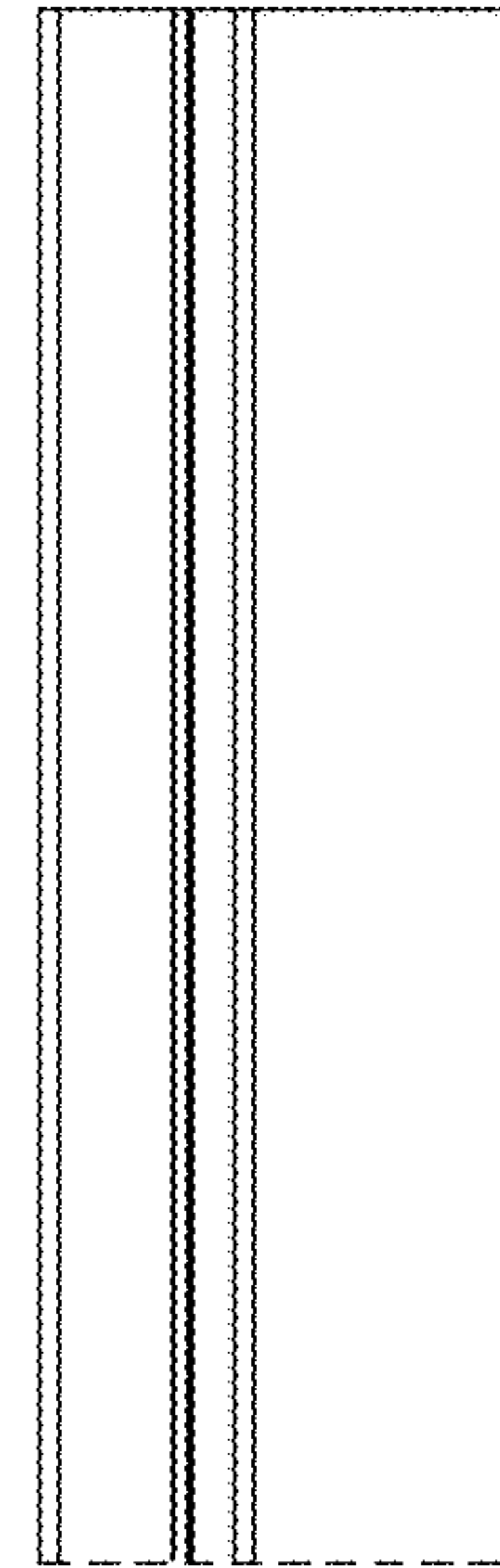


FIG. 4

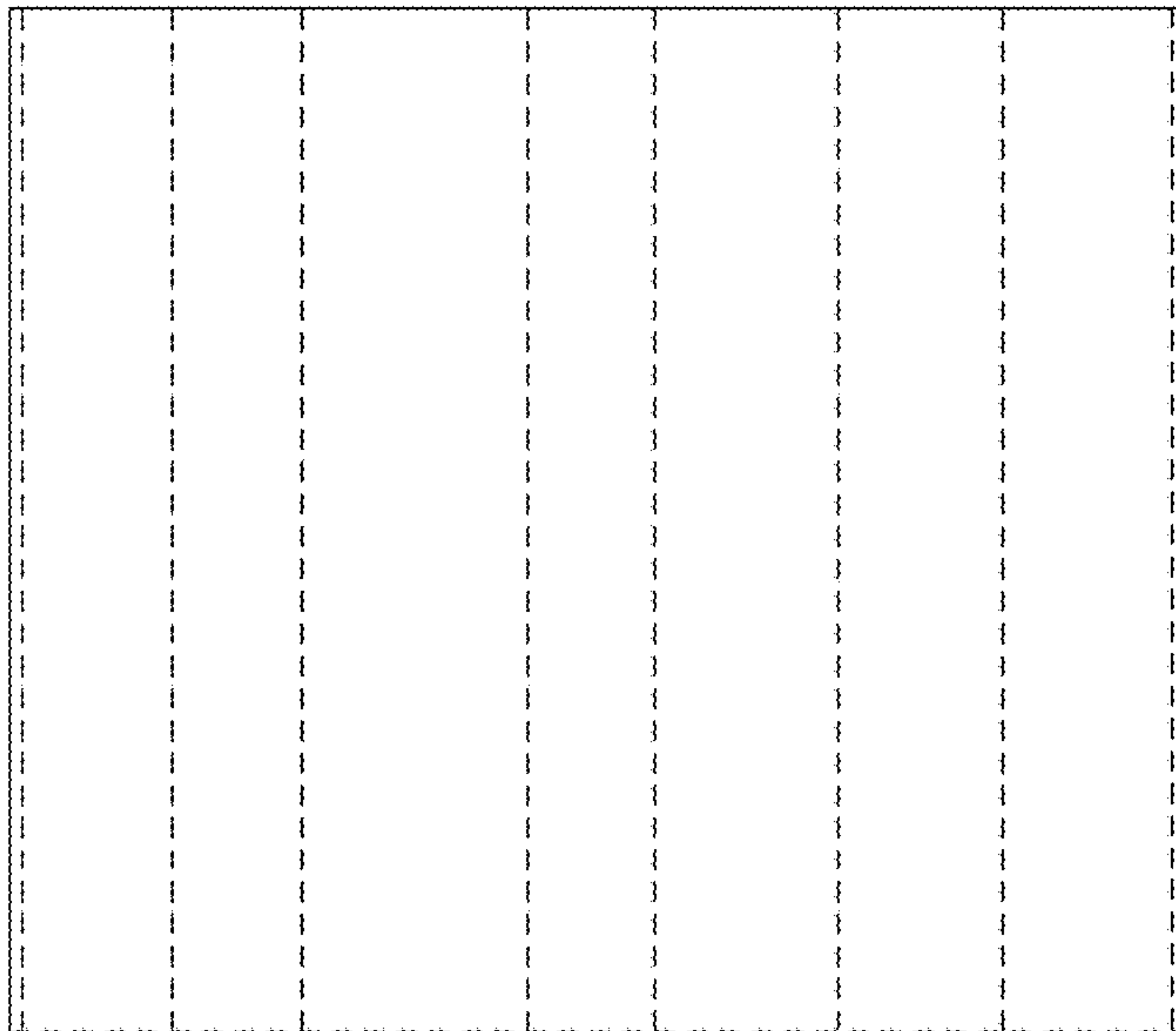


FIG. 5

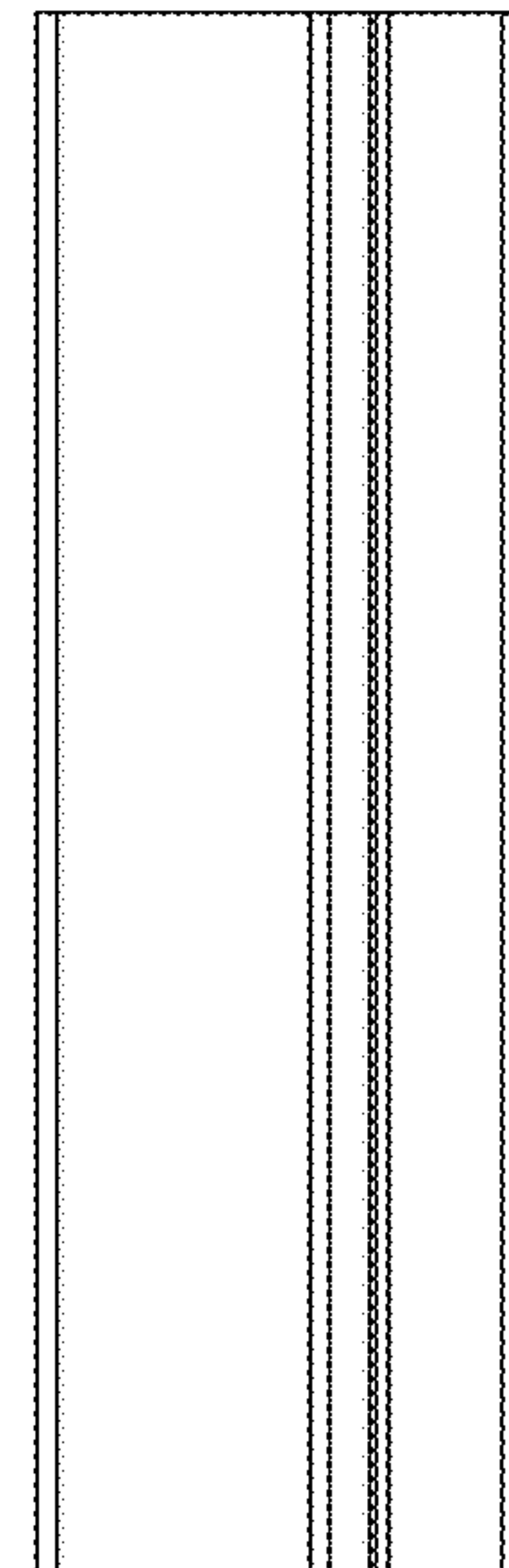


FIG. 6

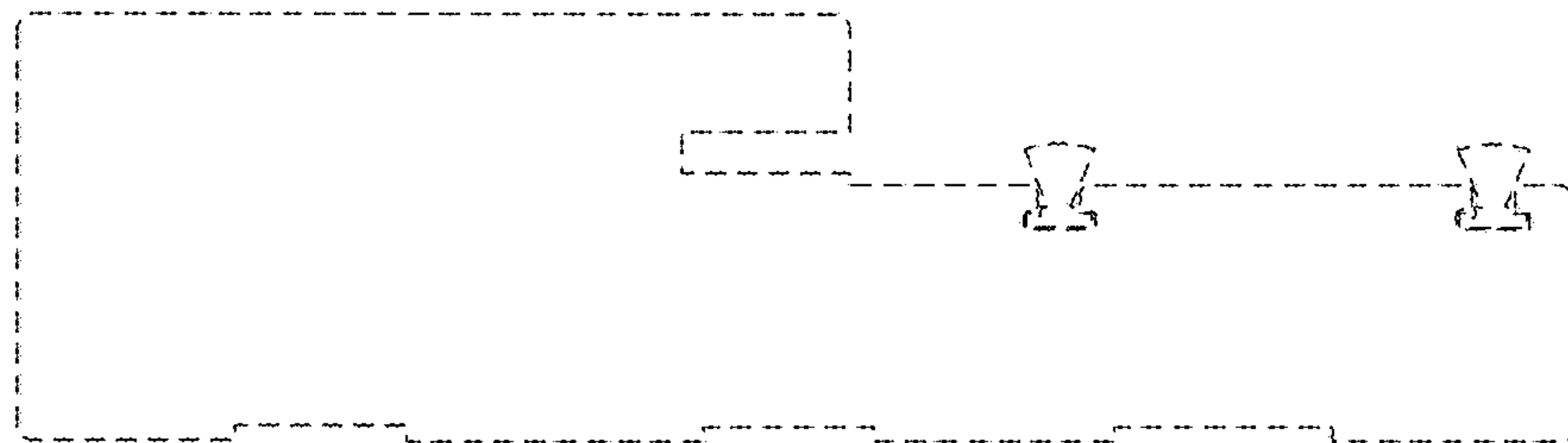


FIG. 7

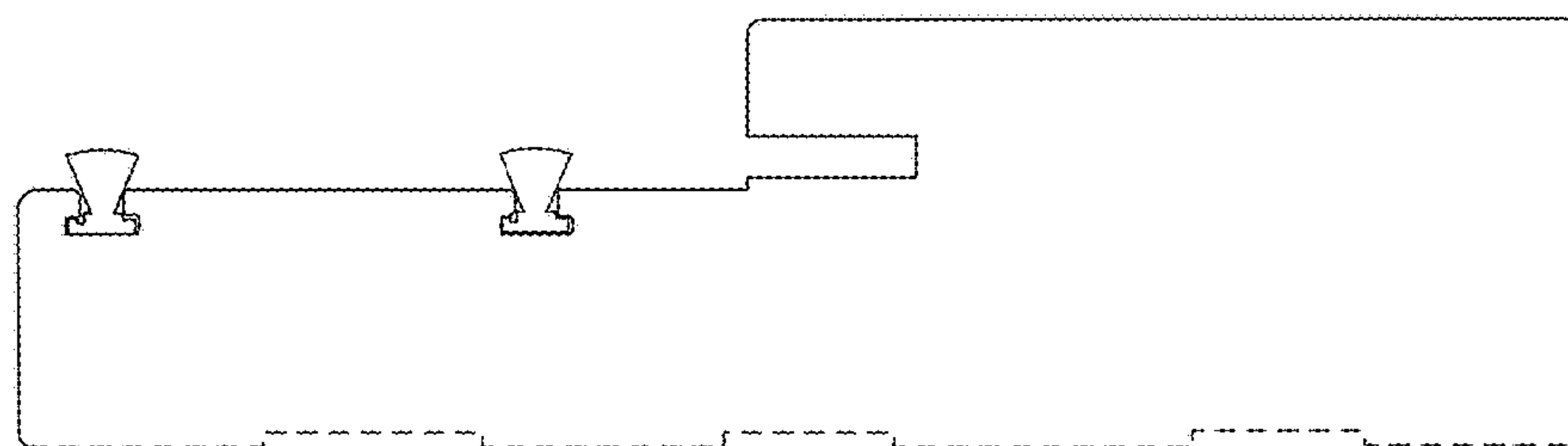


FIG. 8