



US00D855831S

(12) **United States Design Patent** (10) **Patent No.:** **US D855,831 S**
Desrosiers (45) **Date of Patent:** **** Aug. 6, 2019**

(54) **DOOR SILL EXTRUSION**
(71) Applicant: **P.H. Tech Inc.**, Levis (CA)
(72) Inventor: **Anne-Marie Desrosiers**, St-Apollinaire (CA)

D619,729 S * 7/2010 Bernier D25/124
D679,385 S * 4/2013 Morton D25/124
D698,466 S * 1/2014 Wickland D25/124
D720,084 S * 12/2014 Wickland D25/124
D802,801 S * 11/2017 Fannan D25/124
D803,422 S * 11/2017 Fannan D25/124
D810,964 S * 2/2018 Rosende D25/124

(73) Assignee: **P.H. Tech Inc.**, Levis (CA)
(**) Term: **15 Years**

FOREIGN PATENT DOCUMENTS

CA 133382 * 7/2010

(21) Appl. No.: **29/630,072**

OTHER PUBLICATIONS

(22) Filed: **Dec. 19, 2017**

<http://www.phtech.ca/en/ph-tech-quality/why-phtech.html> Mar. 25, 2016 (Year: 2016).*

(51) **LOC (12) Cl.** **25-01**

(52) **U.S. Cl.**
USPC **D25/48.2**; D25/124

* cited by examiner

(58) **Field of Classification Search**
USPC D25/48.1, 48.2, 48.3, 60, 61, 119-125, D25/164, 199
CPC E06B 1/00; E06B 1/02; E06B 1/04; E06B 1/045; E06B 1/006; E06B 1/70; E06B 1/12; E06B 1/34; E06B 1/342; E06B 7/14; E06B 7/26; E04C 3/00; E04C 3/02; E04C 3/04; E04C 3/005; E04C 3/12; E04C 3/20; E04C 3/28; E04C 3/30; E04F 19/02; E04F 19/022; E04F 19/026; E04F 19/028; E04F 19/04; E04F 19/0436; E04F 19/0481; E04F 19/0486; E04F 19/06; E04F 19/061

Primary Examiner — Leanne Was-Englehart
(74) *Attorney, Agent, or Firm* — Borden Ladner Gervais LLP

See application file for complete search history.

(57) **CLAIM**

The ornamental design for a door sill extrusion, as shown and described.

(56) **References Cited**

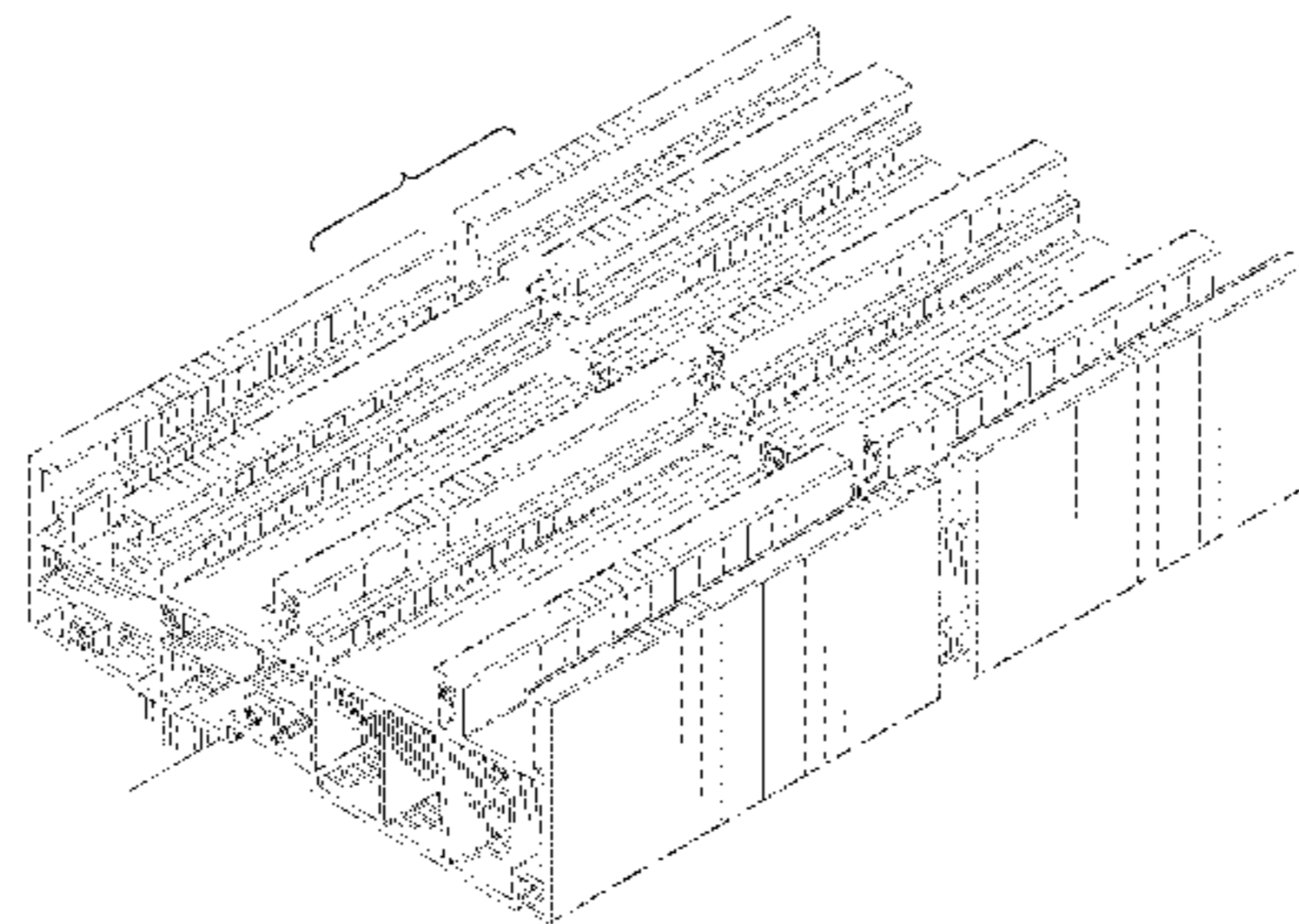
U.S. PATENT DOCUMENTS

D301,173 S * 5/1989 Dallaire D25/124
D379,529 S * 5/1997 DiGiorgio D25/124
D394,509 S * 5/1998 Franson D25/124
D507,356 S * 7/2005 Jarrell D25/124
D572,376 S * 7/2008 Morton D25/124
D592,763 S * 5/2009 Campbell D25/124

DESCRIPTION

FIG. 1 is a perspective view of a door sill extrusion.
FIG. 2 is a front view thereof;
FIG. 3 is a rear view thereof;
FIG. 4 is a right side view thereof;
FIG. 5 is a left side view thereof;
FIG. 6 is a top view thereof; and,
FIG. 7 is a bottom view thereof.
Shading is used in the drawings to better illustrate the design. The drawings contain a symbolic break. The broken lines depict the limits of the claim. The portion between the break lines forms no part of the claimed design.

1 Claim, 7 Drawing Sheets



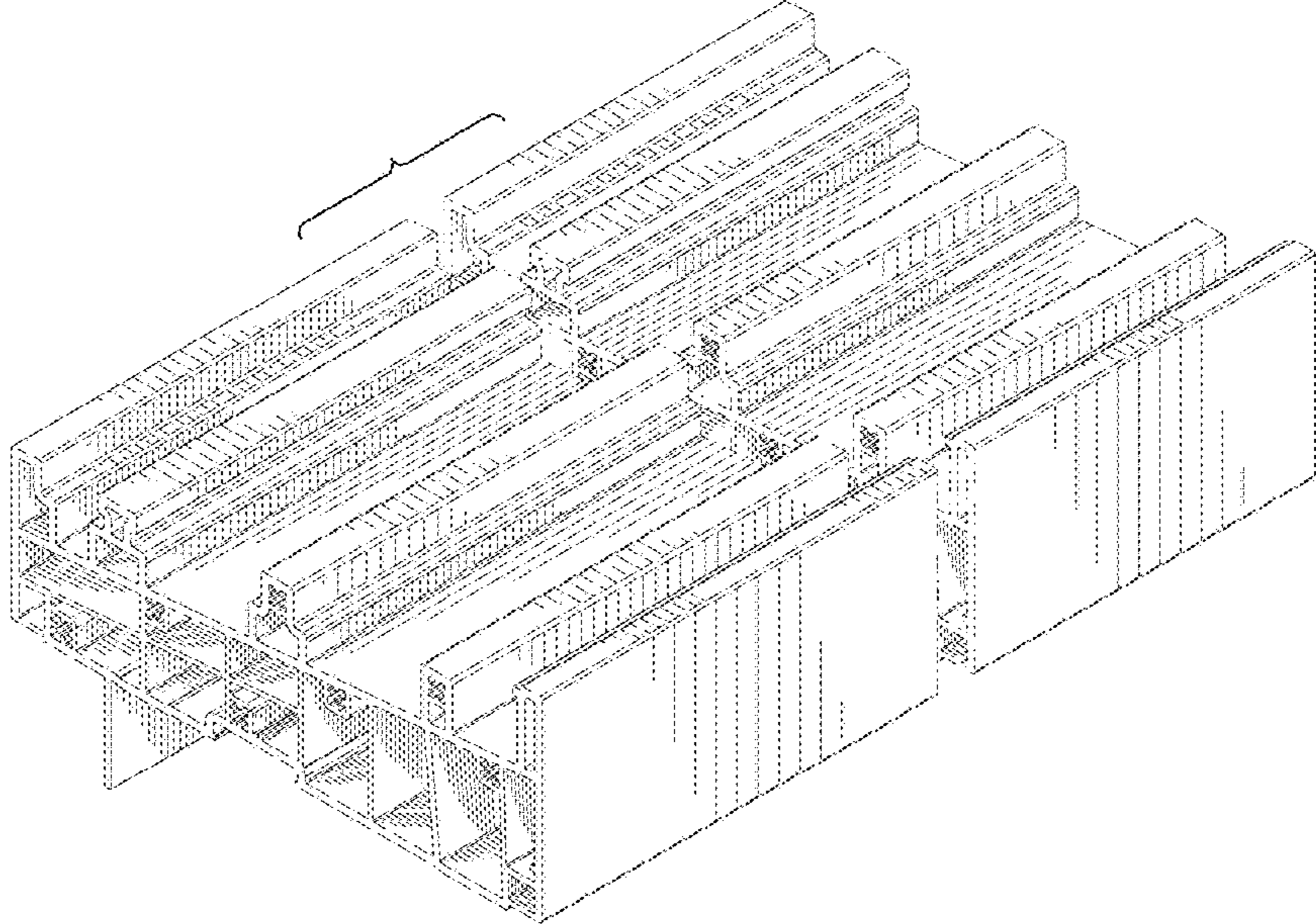


FIG.1

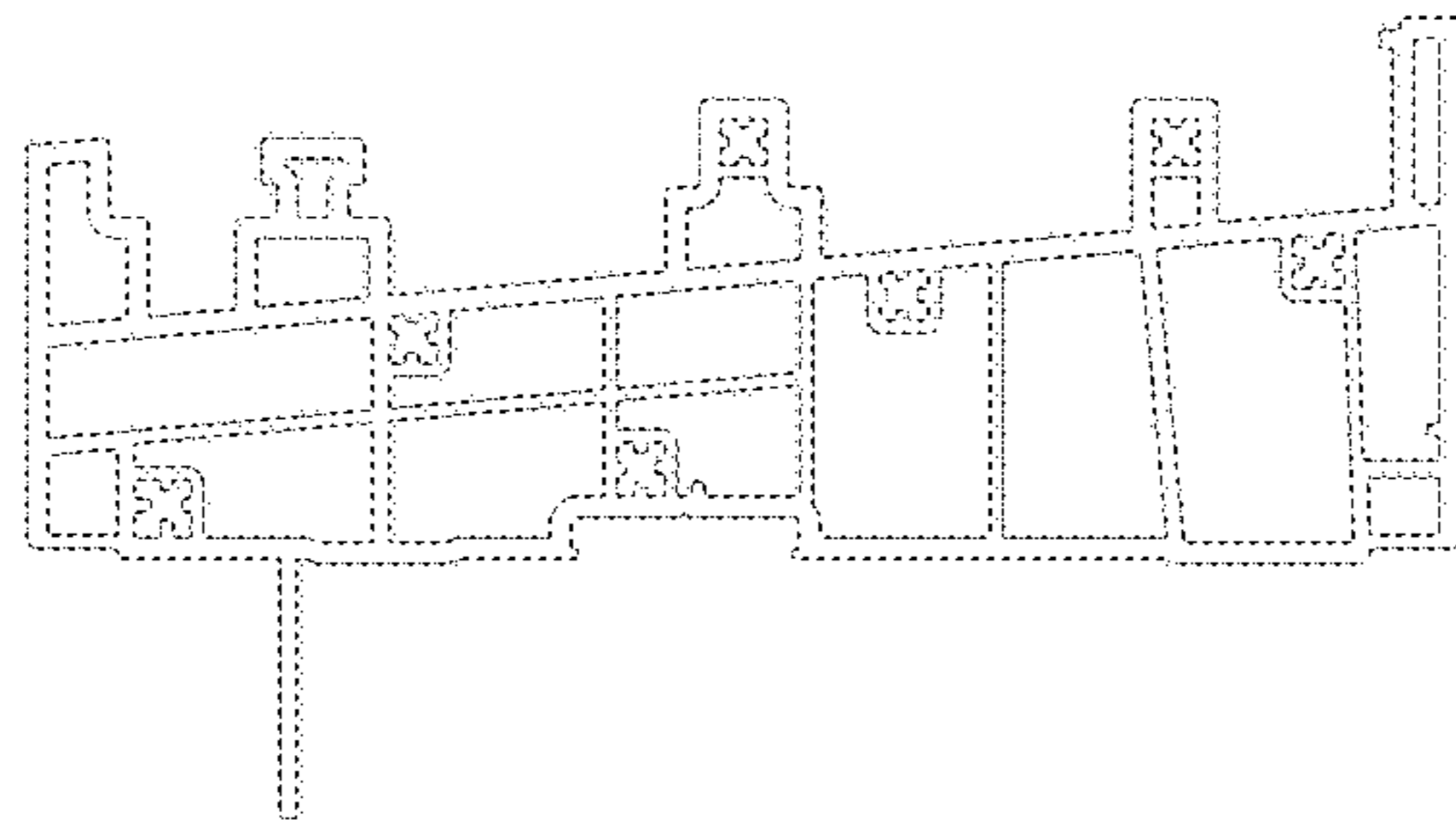


FIG. 2

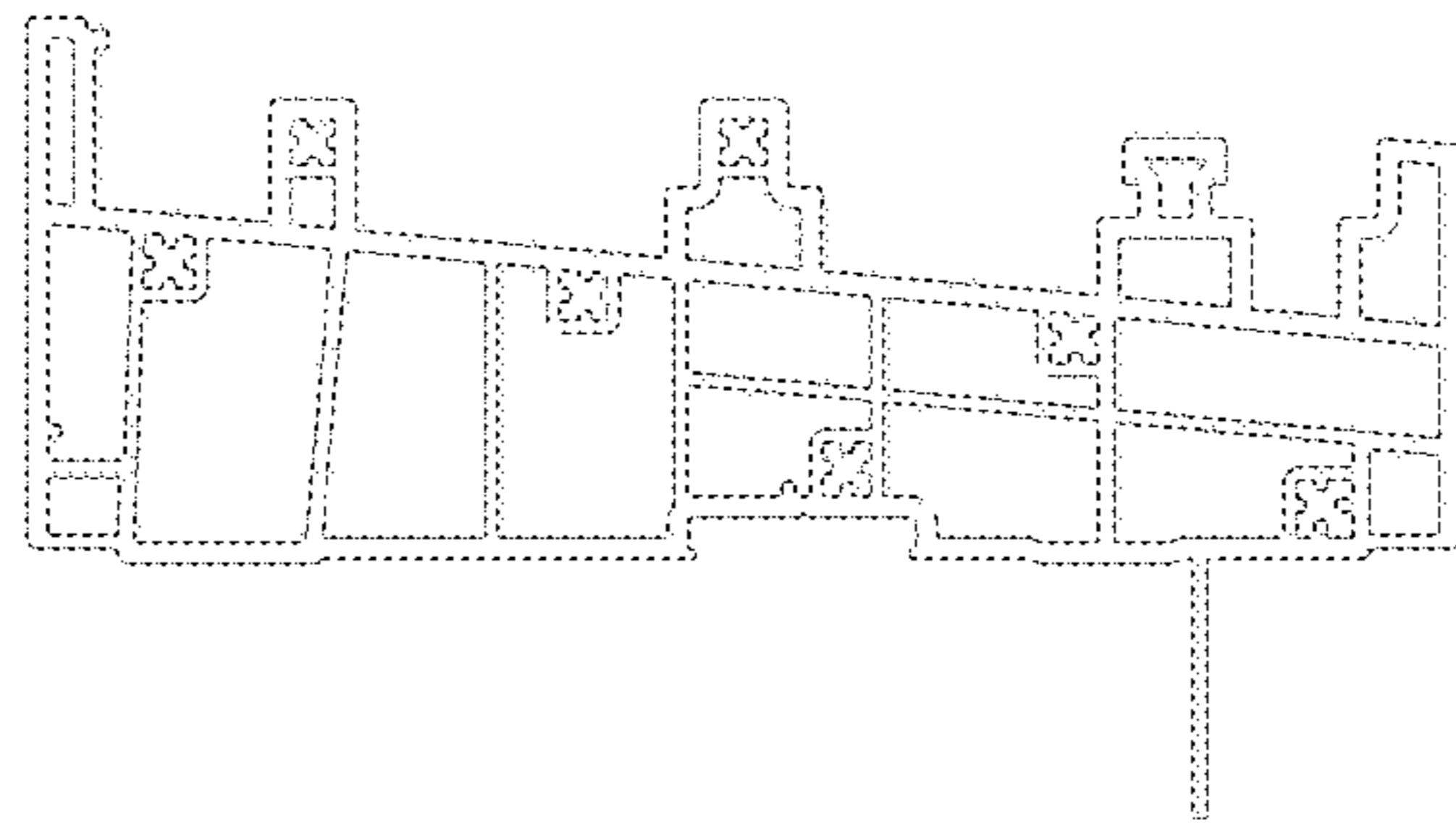


FIG.3

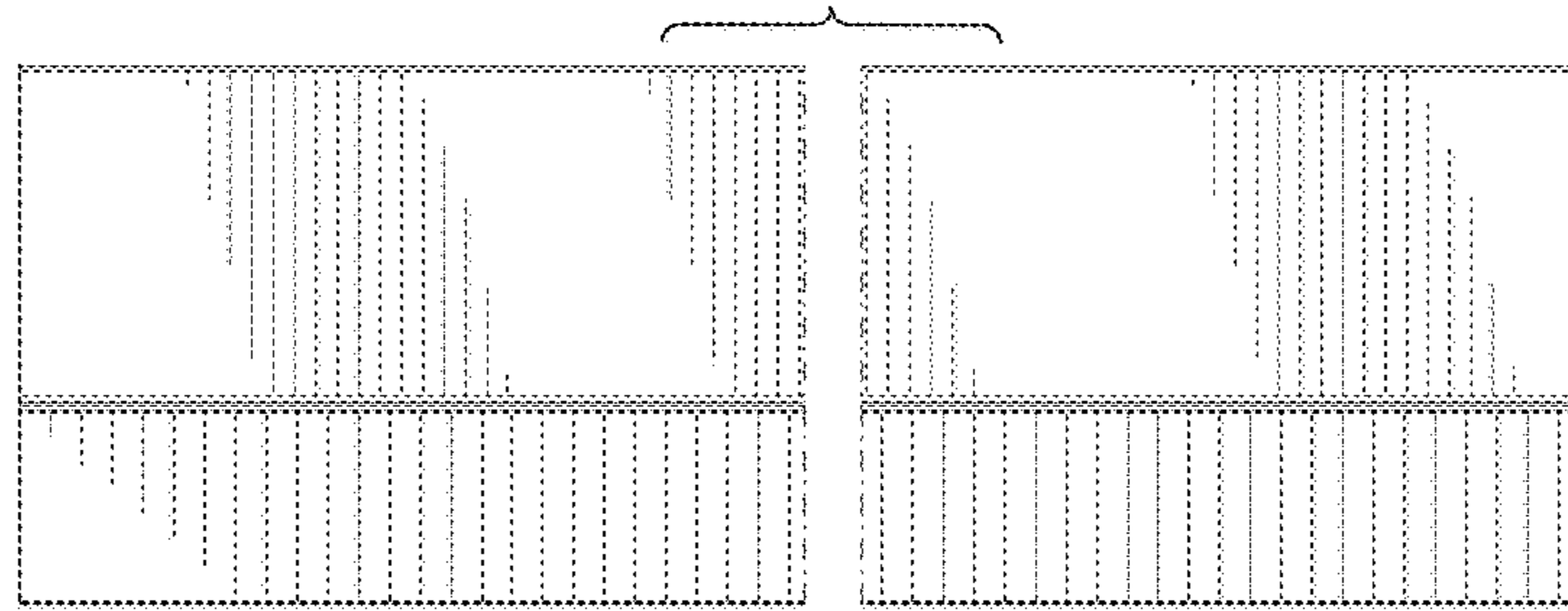


FIG.4

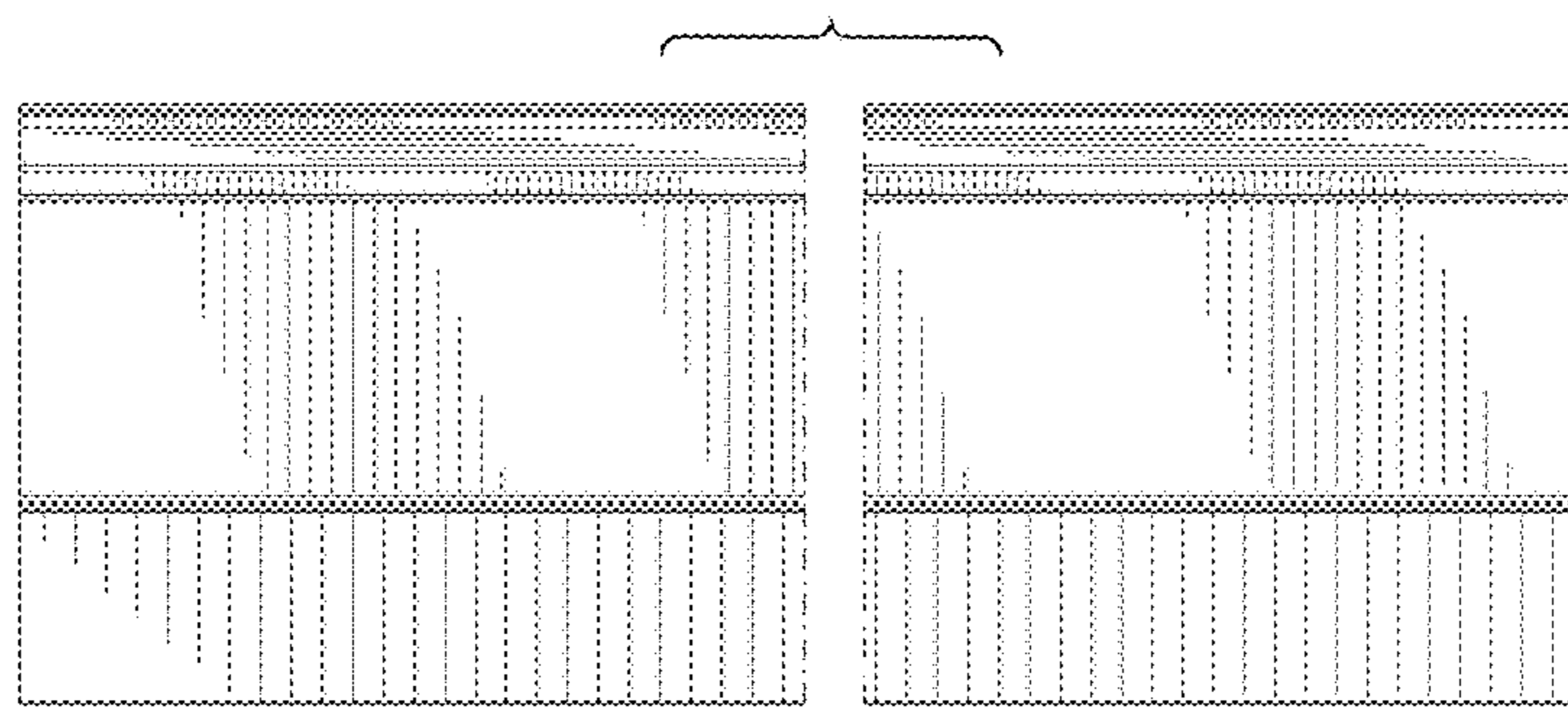


FIG. 5

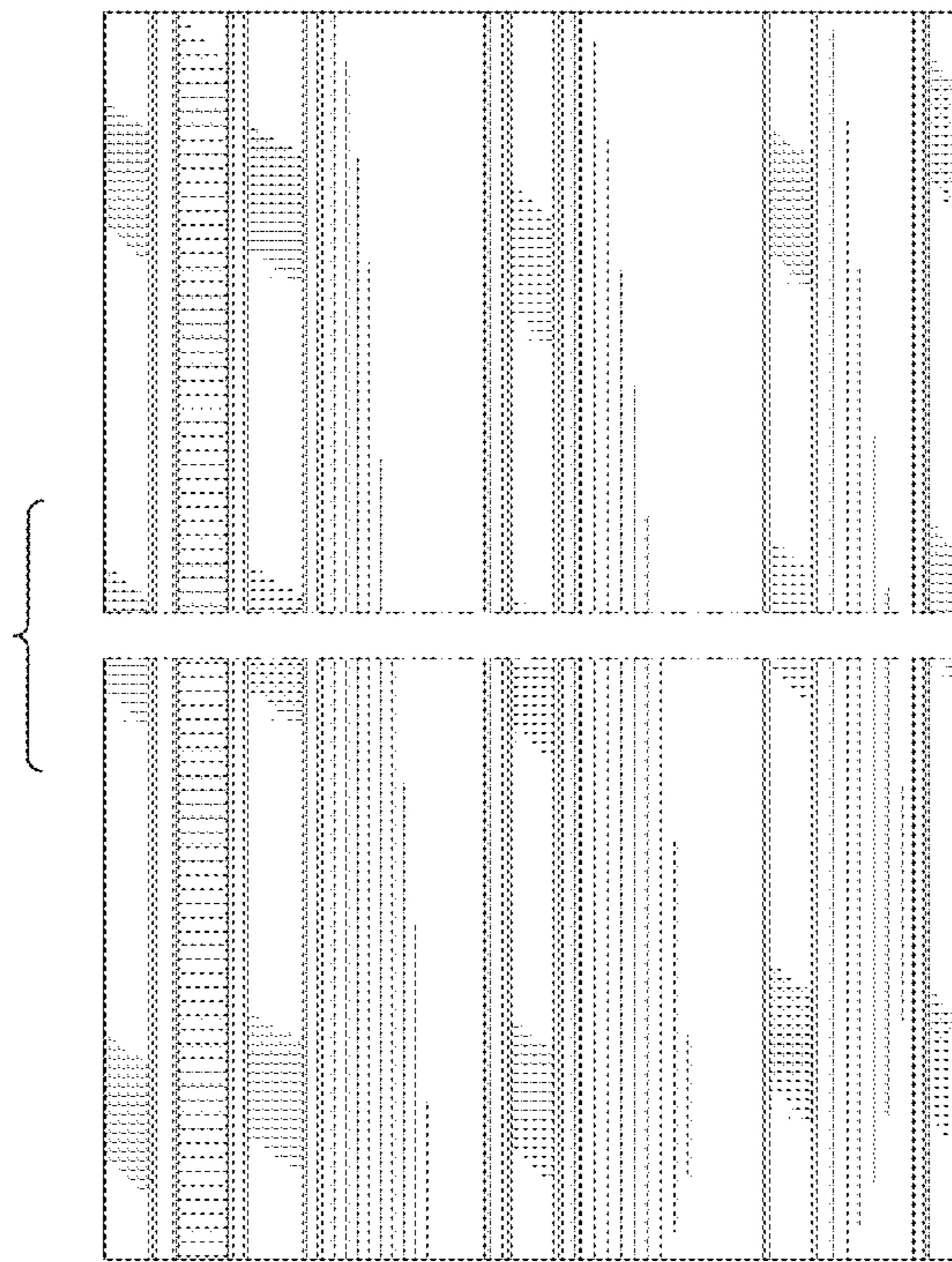


FIG.6

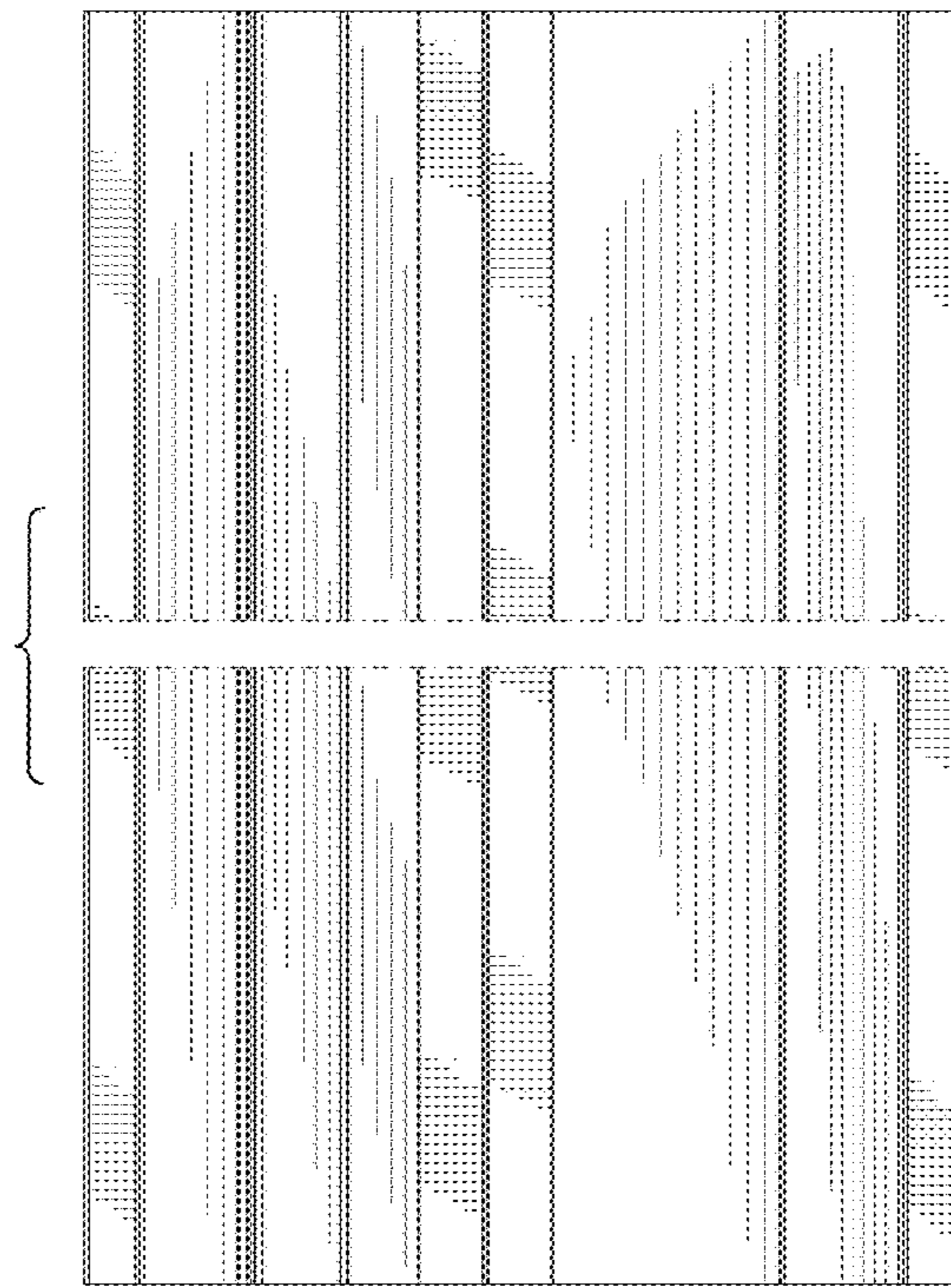


FIG. 7