



US00D855828S

(12) **United States Design Patent**
Amit et al.

(10) **Patent No.:** **US D855,828 S**

(45) **Date of Patent:** **** Aug. 6, 2019**

(54) **MARINE RESIDENTIAL UNIT**

(71) Applicant: **Sea Top Homes Ltd.**, Holon (IL)

(72) Inventors: **Aviel Amit**, Holon (IL); **Yeri Delange**, Hadera (IL); **Amnon Shiloni**, Shoham (IL)

(73) Assignee: **SEA TOP HOMES LTD.**, Holon (IL)

(**) Term: **15 Years**

(21) Appl. No.: **29/619,881**

(22) Filed: **Oct. 3, 2017**

(51) **LOC (12) Cl.** **25-03**

(52) **U.S. Cl.**
USPC **D25/18**

(58) **Field of Classification Search**
USPC ... D25/1, 3-5, 14-16, 18, 19, 31-33, 56, 20
CPC . E04H 1/00-12; E04H 1/1205; E04H 1/1211;
E04H 1/1233; E04B 1/32; E04B 1/3205
See application file for complete search history.

(56) **References Cited**

U.S. PATENT DOCUMENTS

D86,617 S *	3/1932	Lagios	D25/11
D175,815 S *	10/1955	Wideman	D25/3
D207,305 S *	4/1967	Sorenson	D25/11
3,838,545 A *	10/1974	Kump	E04B 1/34815
				D25/18
4,064,663 A *	12/1977	Moss	E04B 1/166
				D25/19
7,765,746 B2 *	8/2010	Reed	E04B 1/3211
				52/167.4
D626,658 S *	11/2010	Desmarais	D25/18

D627,481 S *	11/2010	Dalo	D25/32
D681,847 S *	5/2013	Maenpaa	D25/18
D736,947 S *	8/2015	Webb	D25/4
D756,041 S *	5/2016	Robbins, III	D25/19
D809,155 S *	1/2018	Balzer	D25/11
D827,154 S *	8/2018	Lee	D25/31
2010/0313490 A1 *	12/2010	Park	E04B 1/3205
				52/80.1
2011/0214364 A1 *	9/2011	Fuller	E04H 1/04
				52/173.3

* cited by examiner

Primary Examiner — Brett Miller

(74) *Attorney, Agent, or Firm* — Mark M. Friedman

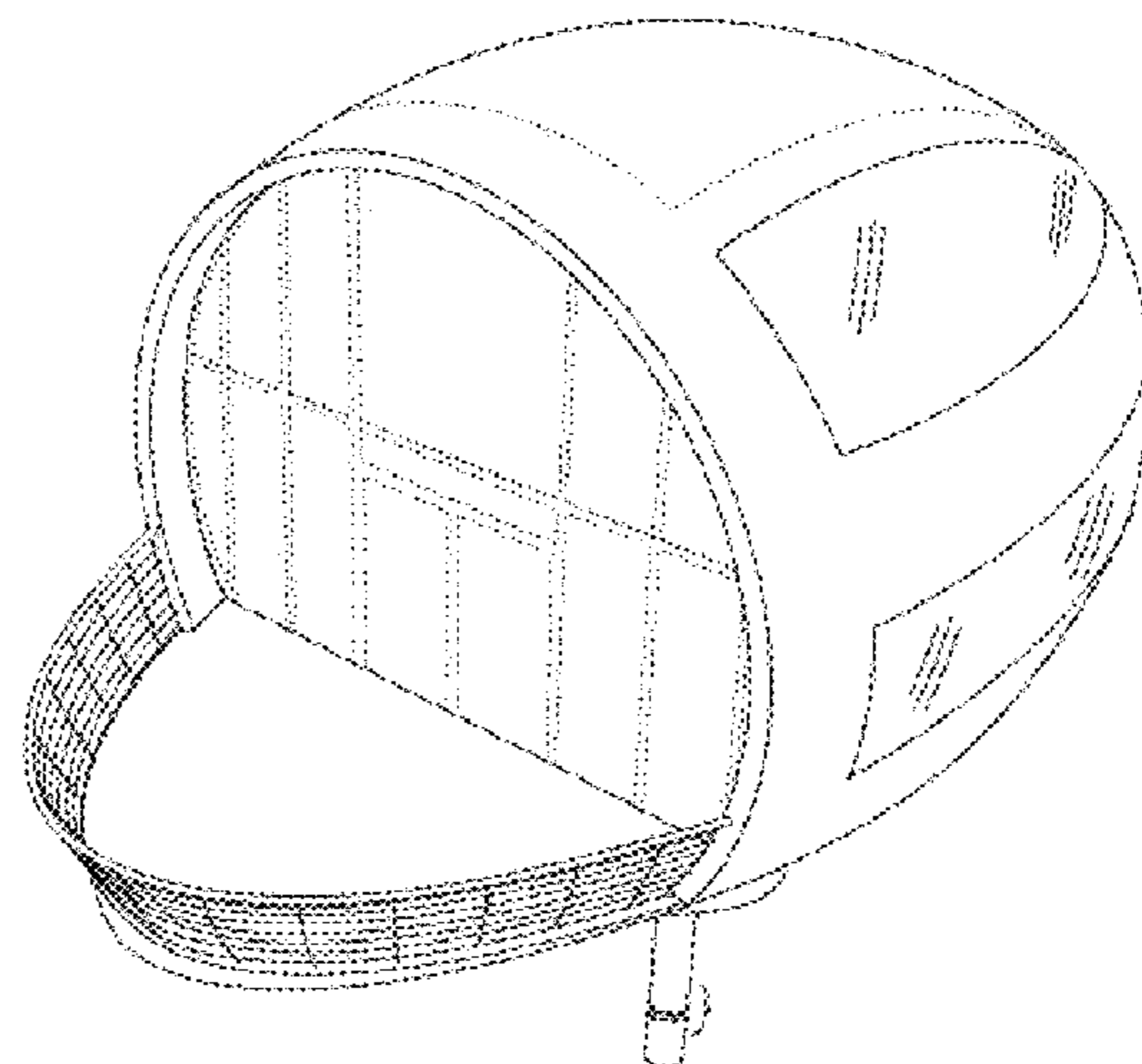
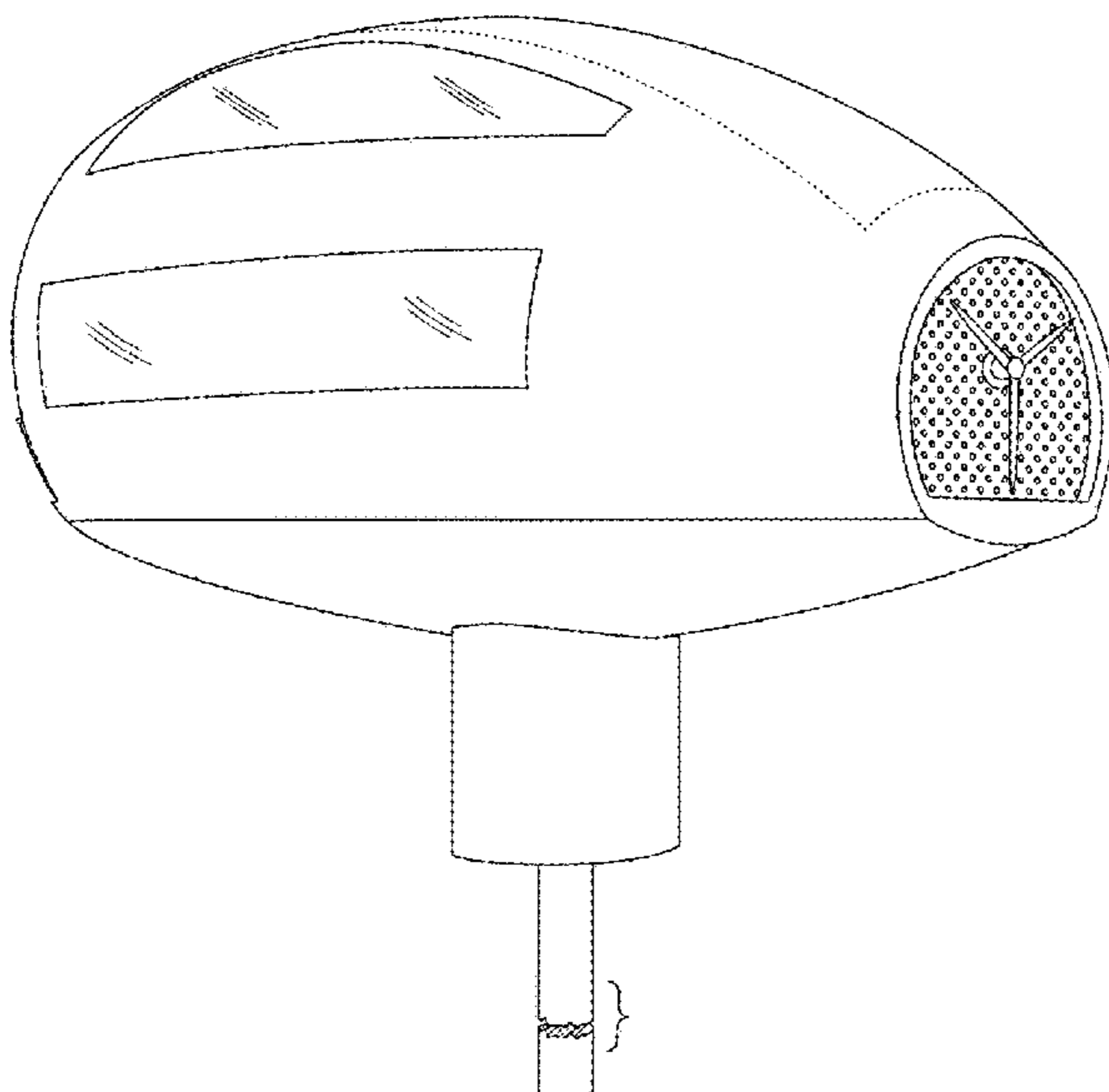
(57) **CLAIM**

The ornamental design for a marine residential unit, as shown and described.

DESCRIPTION

FIG. 1 is a side perspective view of a marine residential unit showing our design;
 FIG. 2 is a front perspective view thereof;
 FIG. 3 is a front view thereof;
 FIG. 4 is a back view thereof;
 FIG. 5 is a right side view thereof;
 FIG. 6 is a top view thereof; and,
 FIG. 7 is a bottom view thereof.
 The left view is a mirror image of the right side.
 Any broken line illustrations in the drawings are for the purpose of illustrating portions of the marine residential unit and form no part of the claimed design.

1 Claim, 6 Drawing Sheets



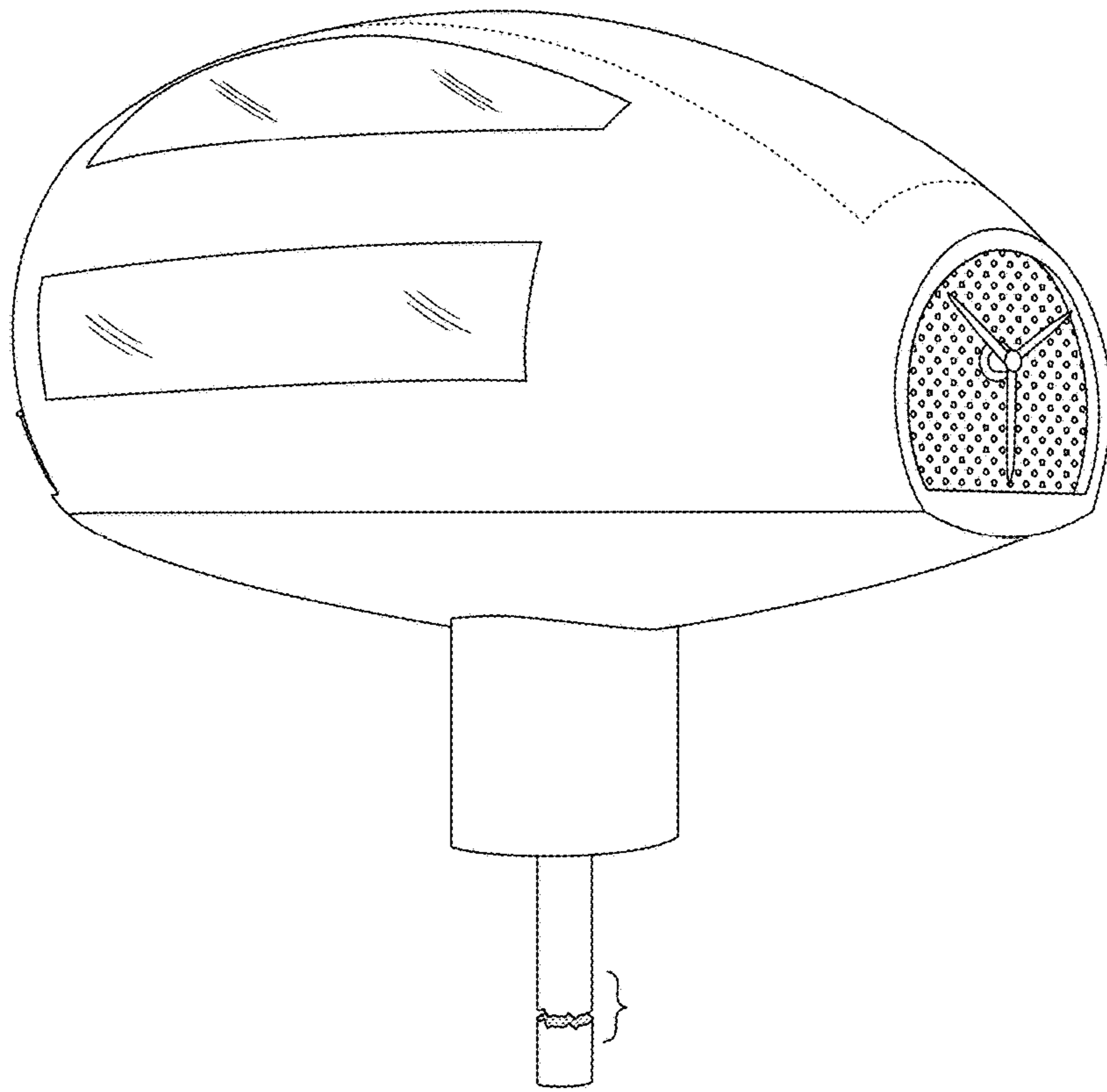


FIG. 1

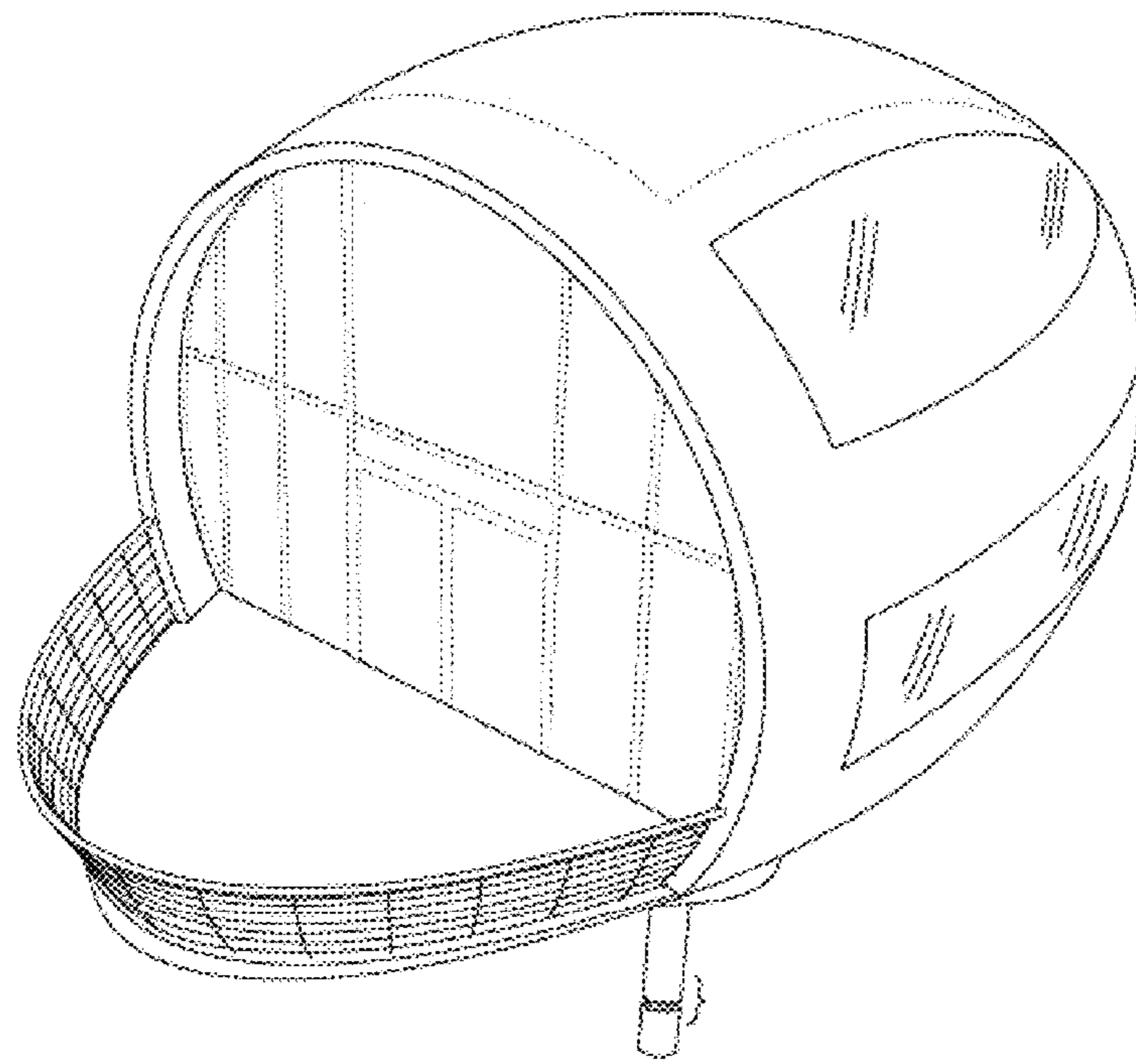


FIG. 2

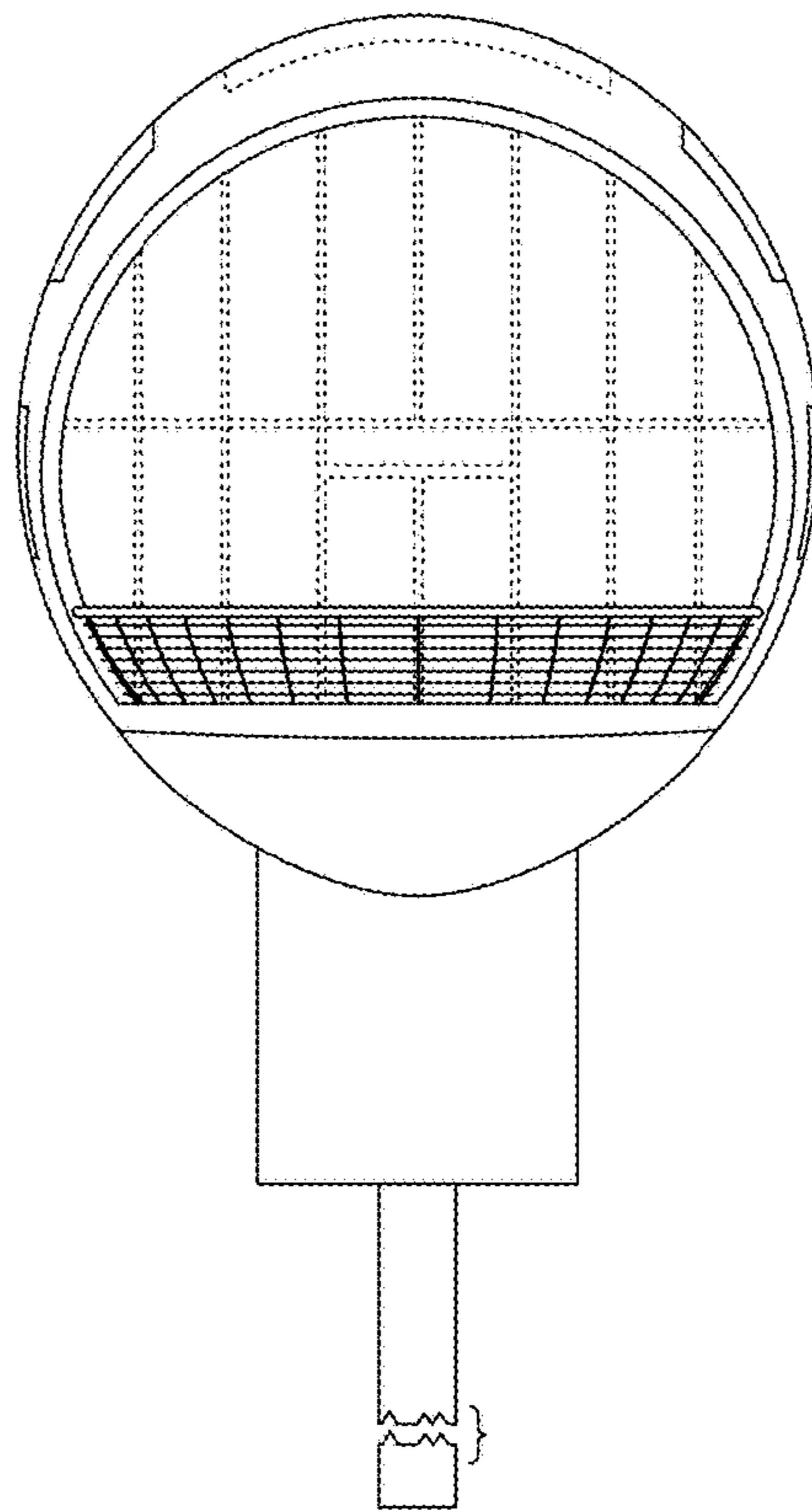


FIG. 3

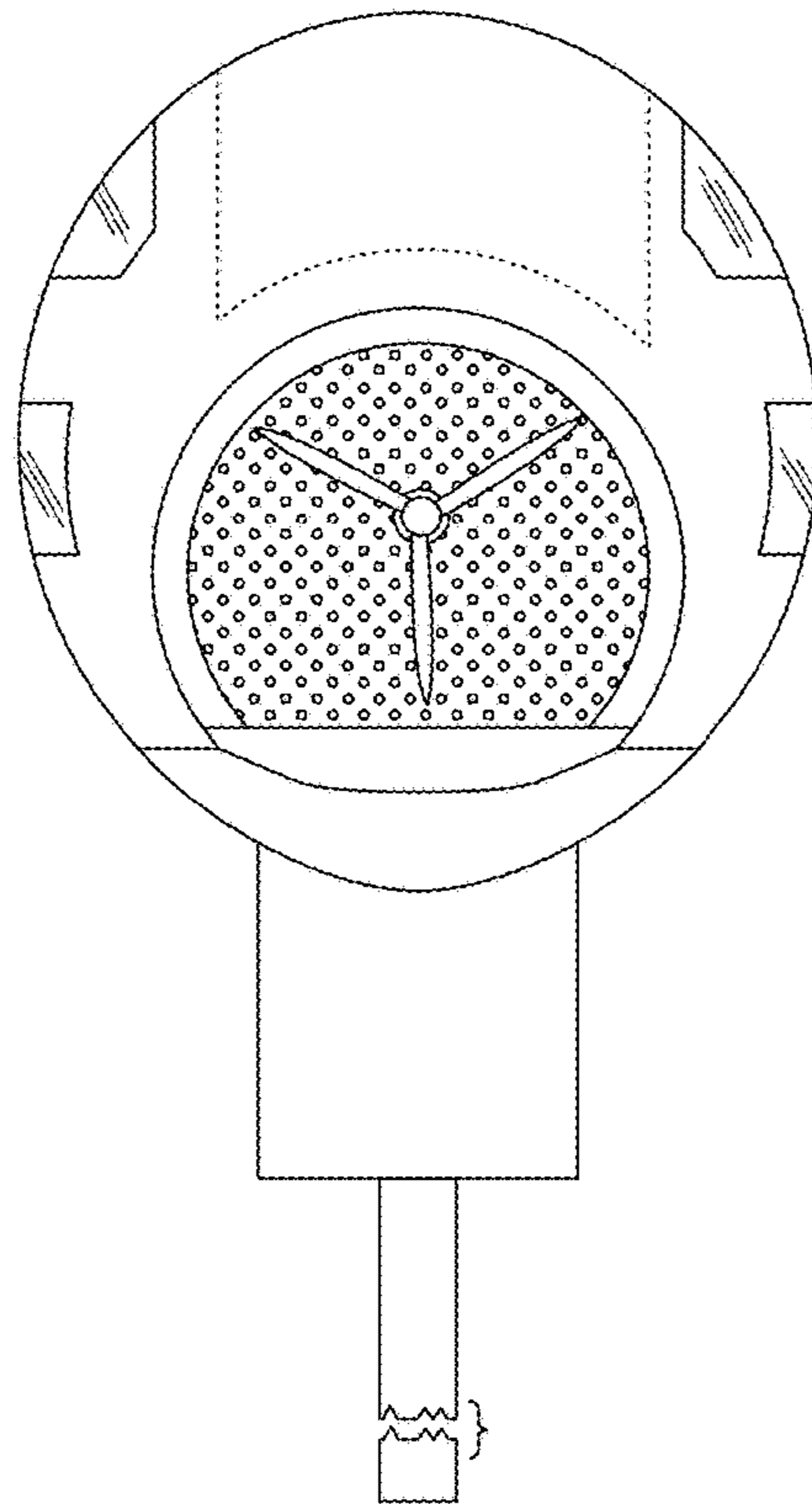


FIG. 4

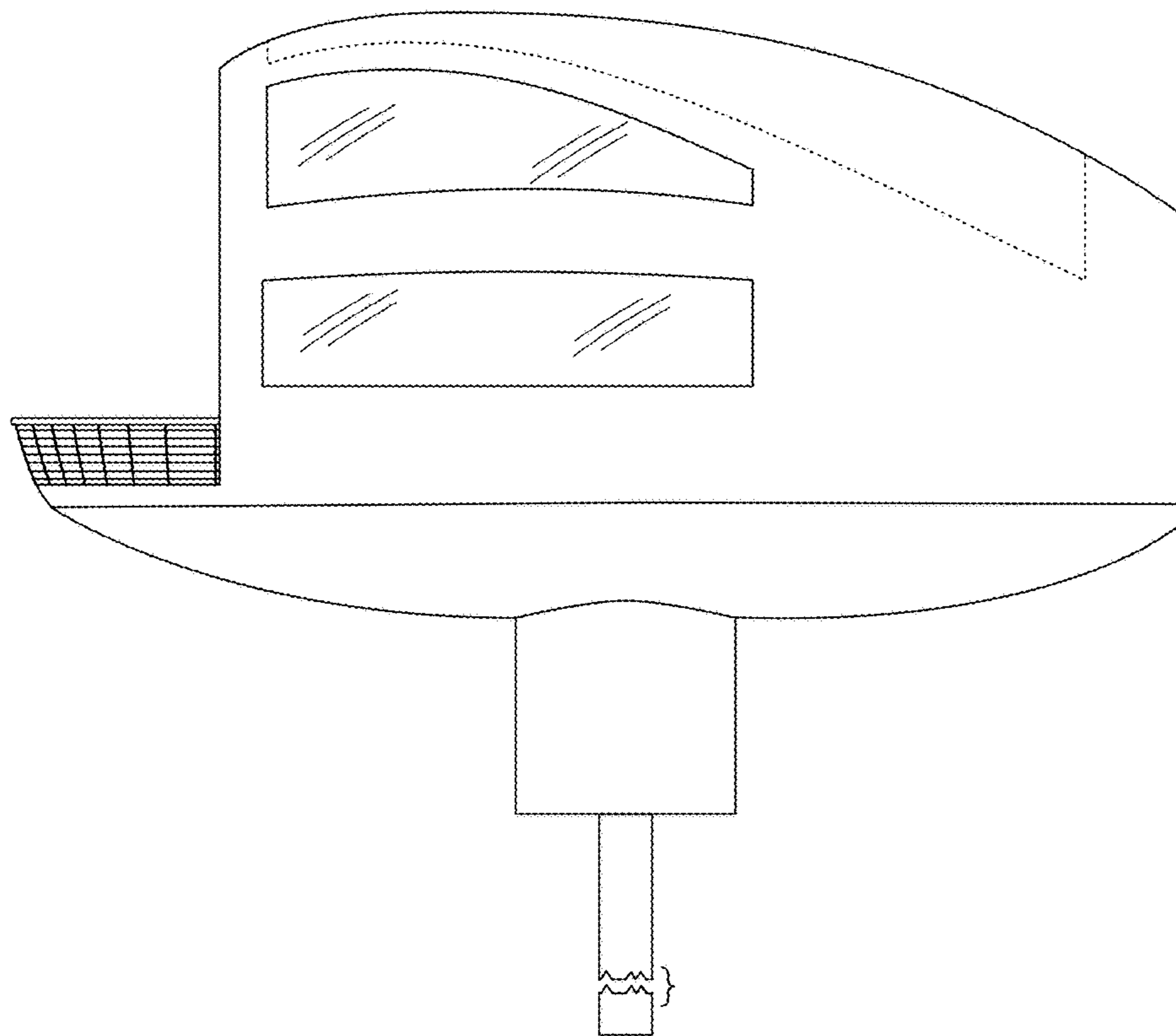


FIG. 5

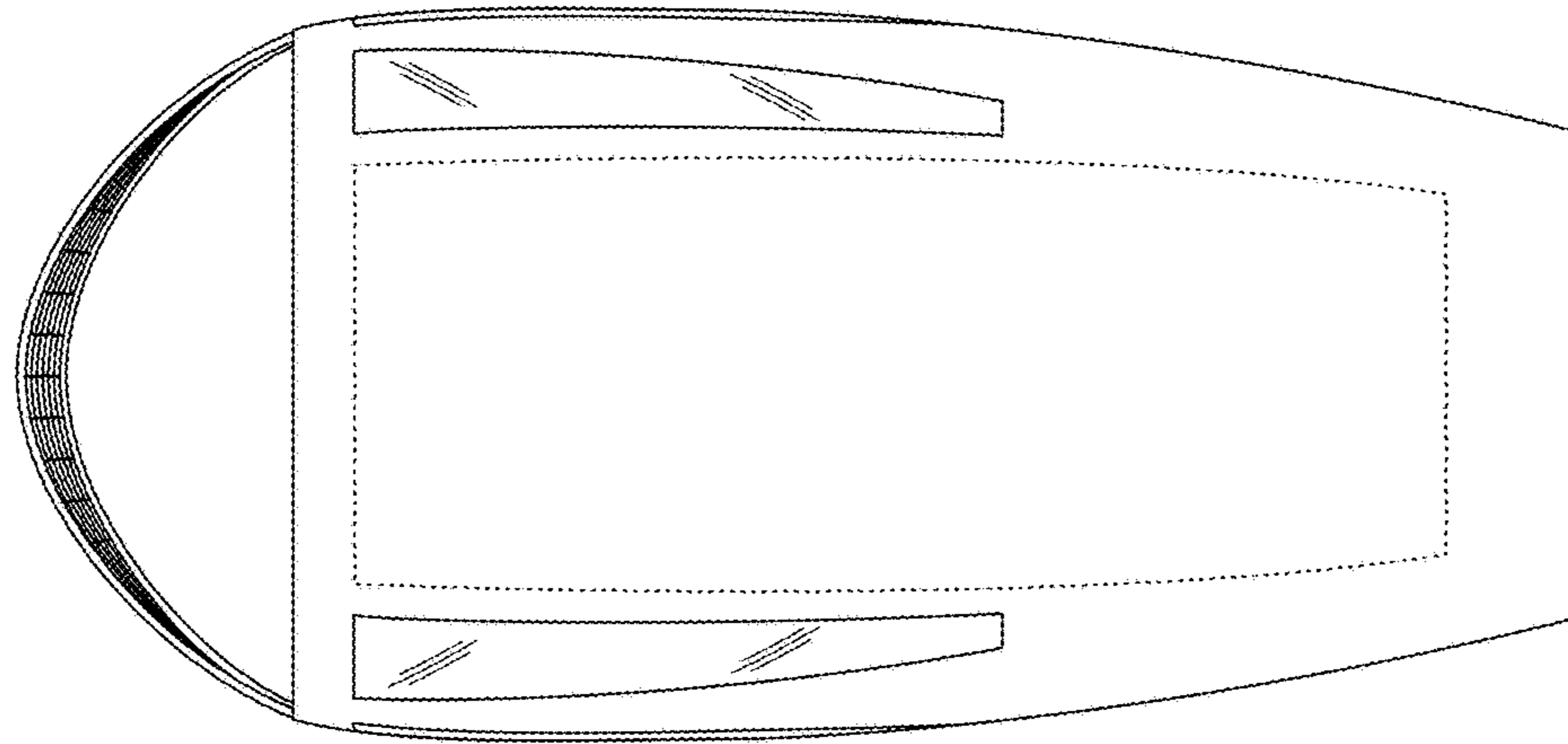


FIG. 6

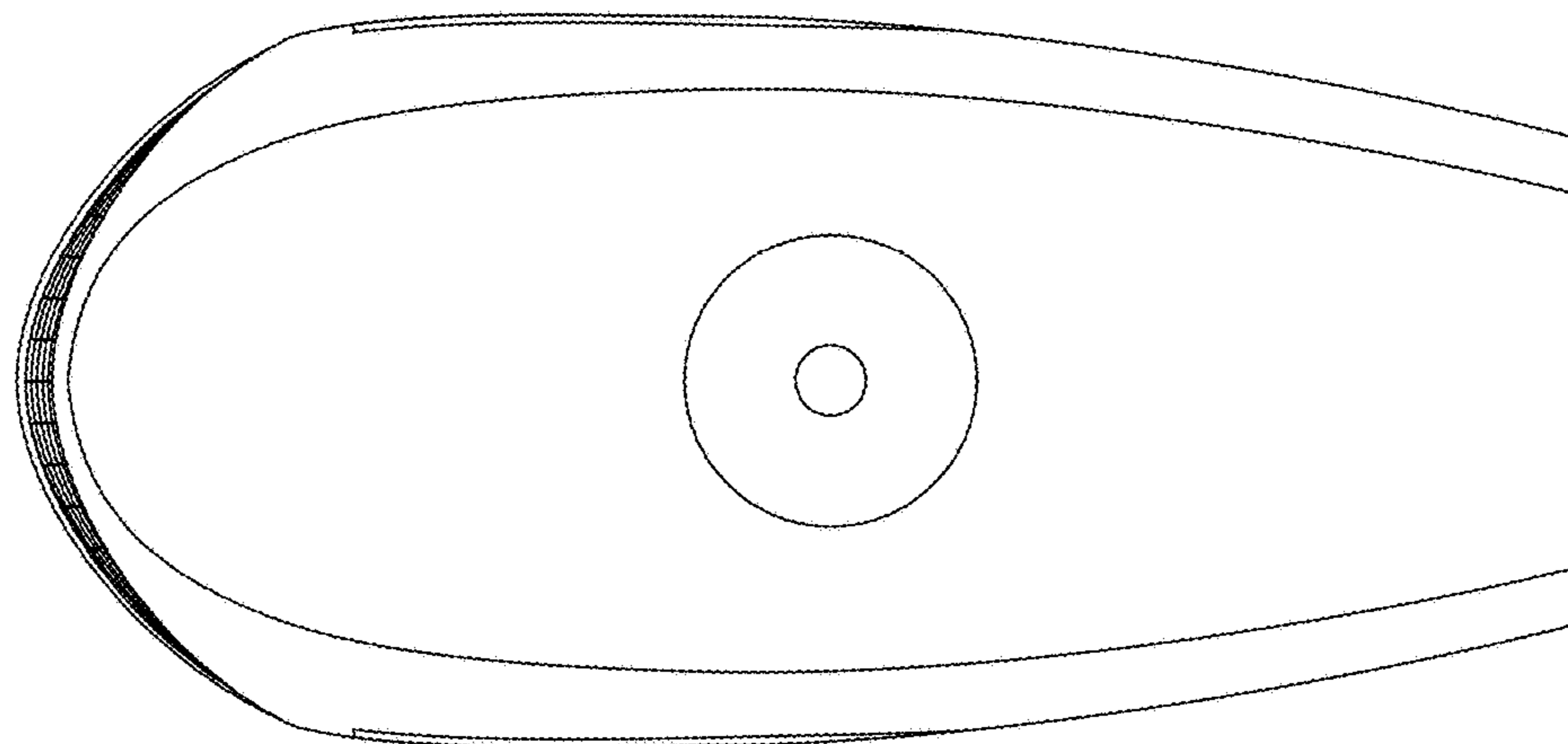


FIG. 7