



US00D855826S

(12) **United States Design Patent** (10) **Patent No.:** **US D855,826 S**
Buse (45) **Date of Patent:** **** Aug. 6, 2019**

- (54) **RECEPTACLE HOLDER**
- (71) Applicant: **GEN-PROBE INCORPORATED**, San Diego, CA (US)
- (72) Inventor: **David A. Buse**, San Diego, CA (US)
- (73) Assignee: **Gen-Probe Incorporated**, San Diego, CA (US)
- (**) Term: **15 Years**
- (21) Appl. No.: **29/610,161**
- (22) Filed: **Jul. 10, 2017**
- (51) **LOC (12) Cl.** **24-02**
- (52) **U.S. Cl.**
USPC **D24/227**
- (58) **Field of Classification Search**
USPC D24/107, 108, 121, 224–227, 230, 231, D24/232
CPC G01N 21/90
See application file for complete search history.

- D438,632 S * 3/2001 Miller D24/216
- D478,193 S * 8/2003 Routh D30/131
- D674,112 S * 1/2013 Demas D24/226
- D735,881 S * 8/2015 Thomas D24/227
- D810,959 S * 2/2018 Langhoff D24/230

* cited by examiner

Primary Examiner — Susan Bennett Hattan
Assistant Examiner — Omeed Agilee
(74) *Attorney, Agent, or Firm* — Sterne, Kessler, Goldstein & Fox P.L.L.C.; Charles B. Cappellari

(57) **CLAIM**

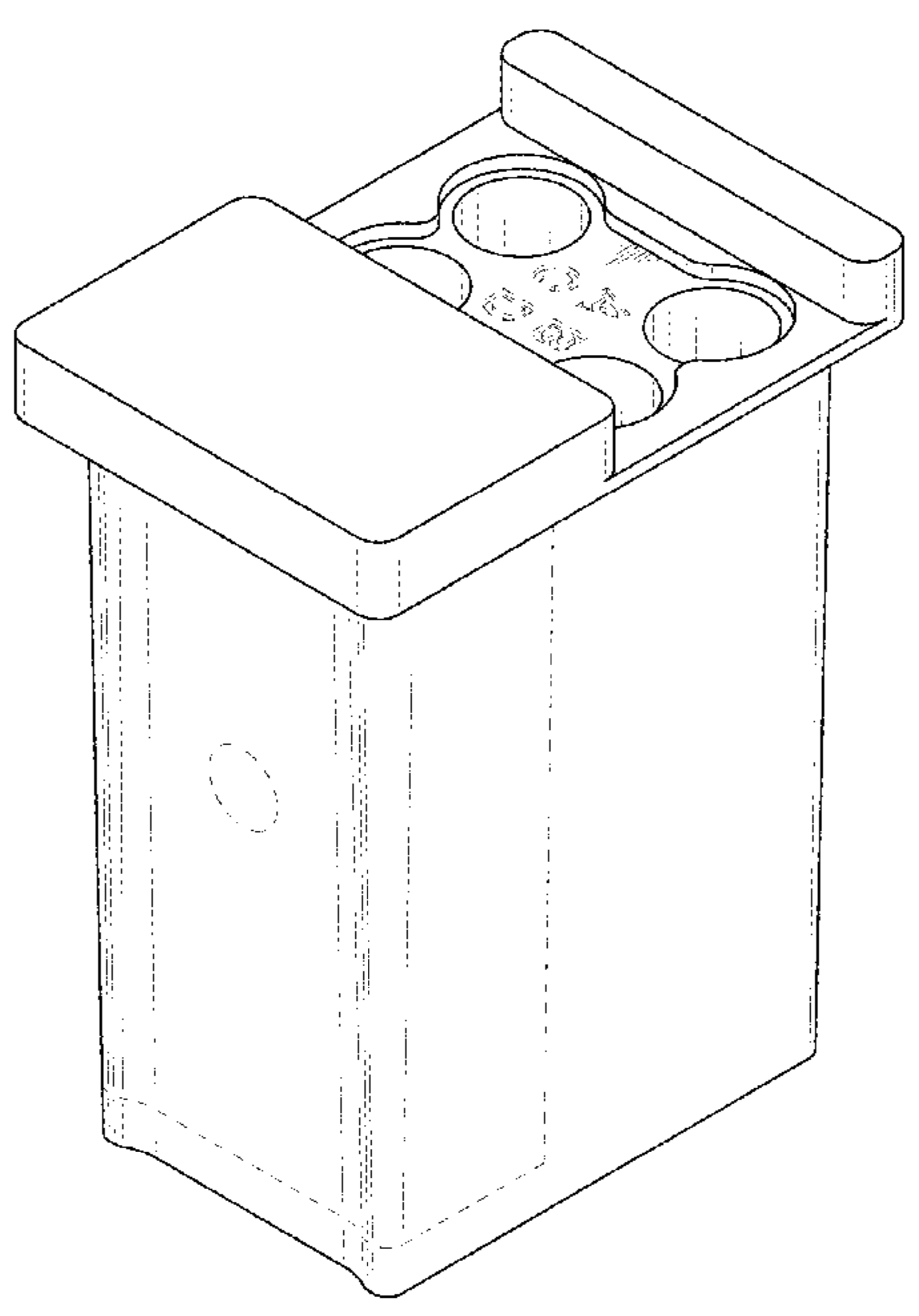
The ornamental design for a receptacle holder, as shown and described.

DESCRIPTION

FIG. 1 is a top front perspective view of a receptacle holder showing the claimed design;
FIG. 2 is a bottom rear perspective view thereof;
FIG. 3 is a front view thereof;
FIG. 4 is a rear view thereof;
FIG. 5 is a left side view thereof;
FIG. 6 is a right side view thereof;
FIG. 7 is a top view thereof; and,
FIG. 8 is a bottom view thereof.
The dashed broken lines in the figures show portions of the receptacle holder that form no part of the claimed design. The dot-dash-dot broken lines in FIG. 7 show the boundaries that form no part of the claimed design.

1 Claim, 8 Drawing Sheets

- (56) **References Cited**
U.S. PATENT DOCUMENTS
3,994,594 A * 11/1976 Sandrock B01F 13/002
356/246
5,437,841 A * 8/1995 Balmer B01L 3/02
356/246
D411,308 S * 6/1999 Pandey D24/216



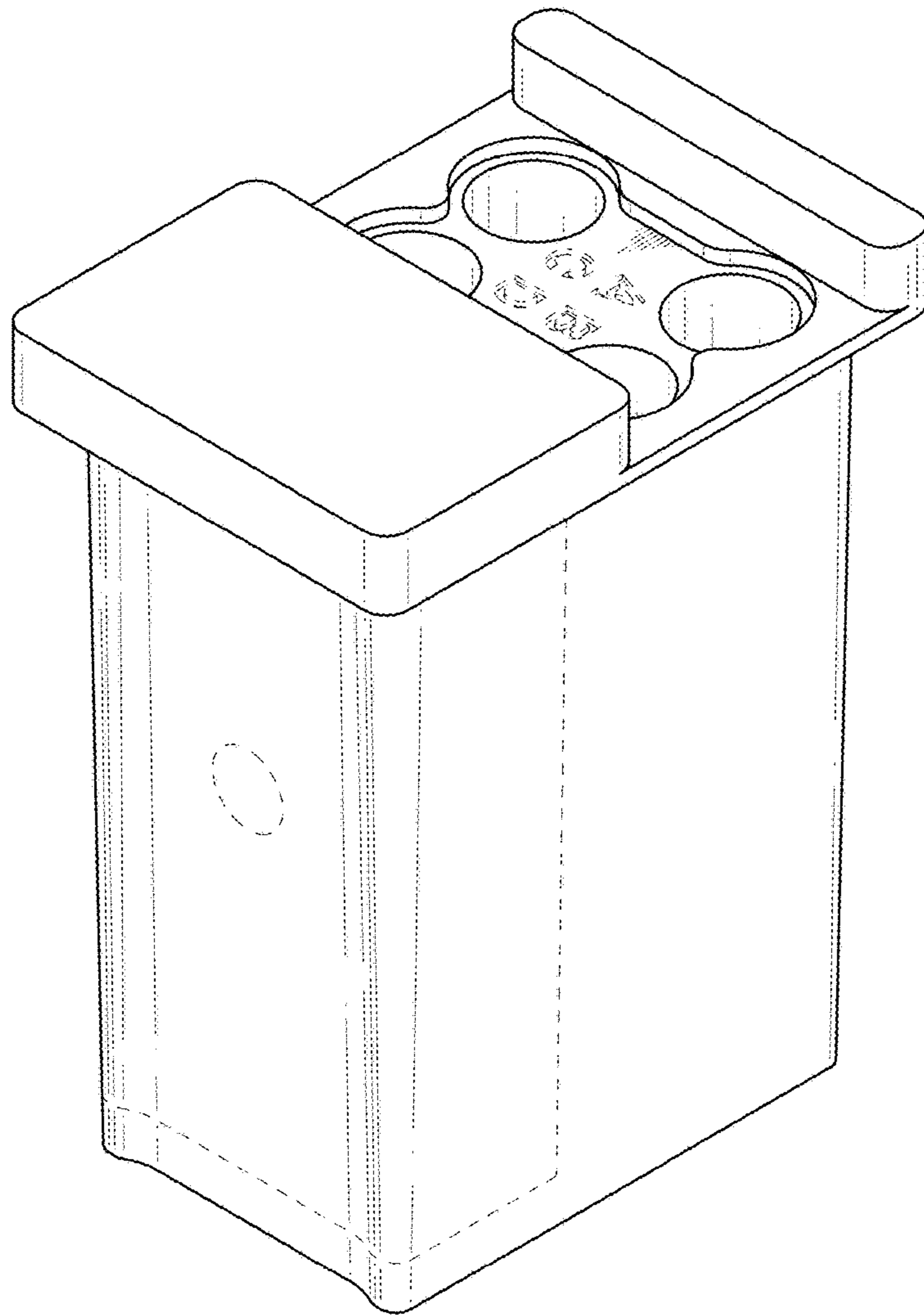


FIG. 1

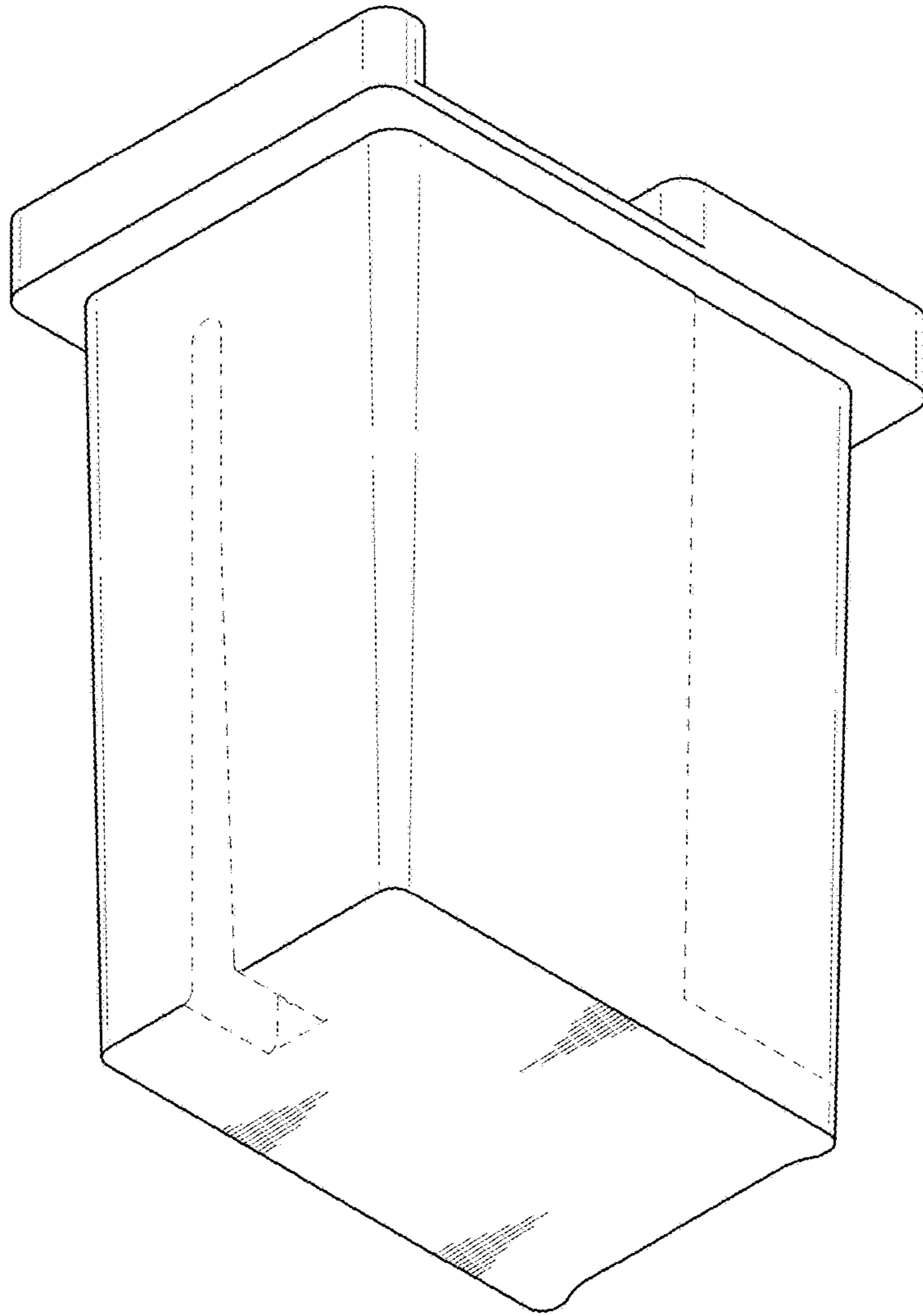


FIG. 2

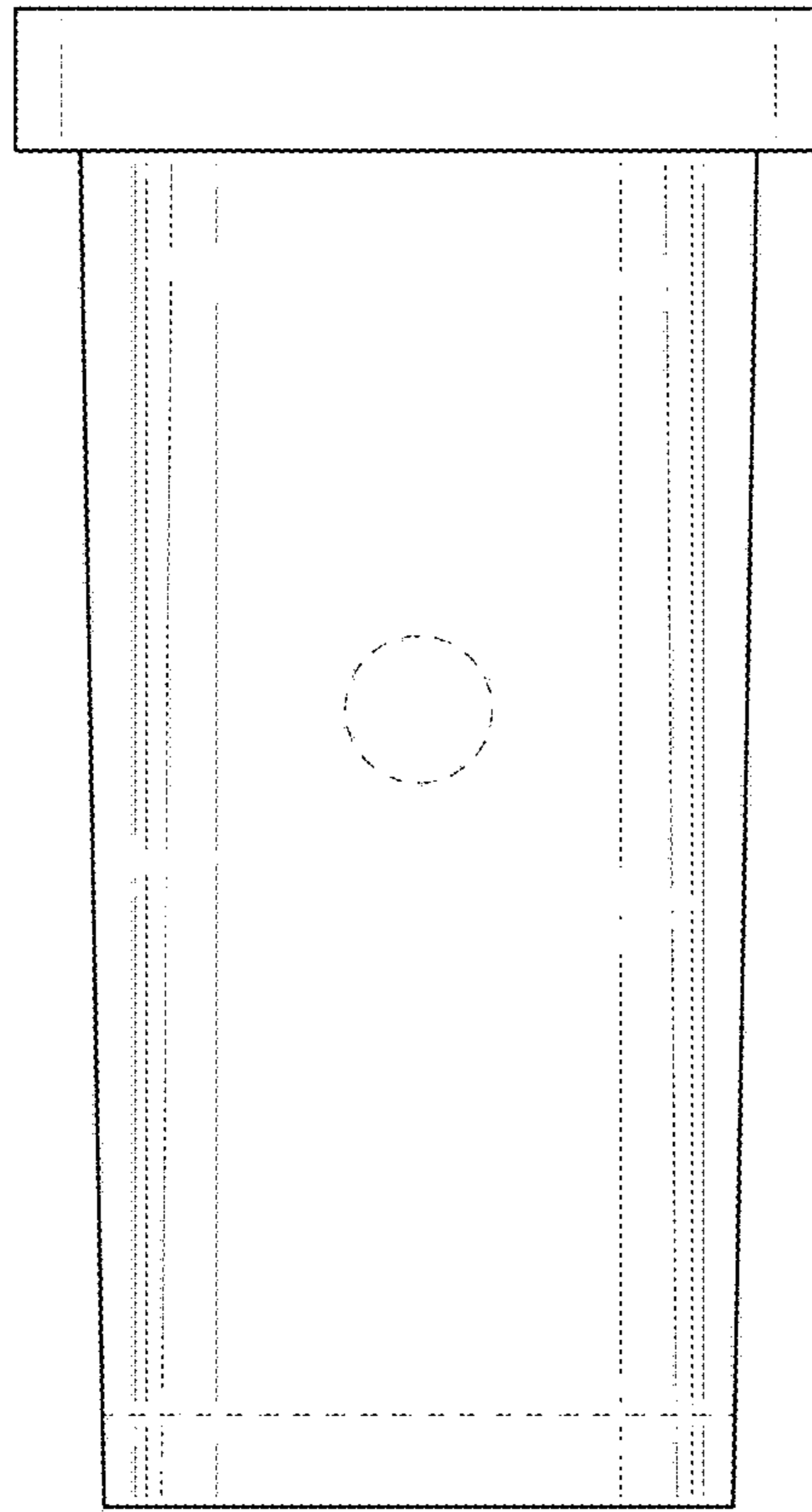


FIG. 3

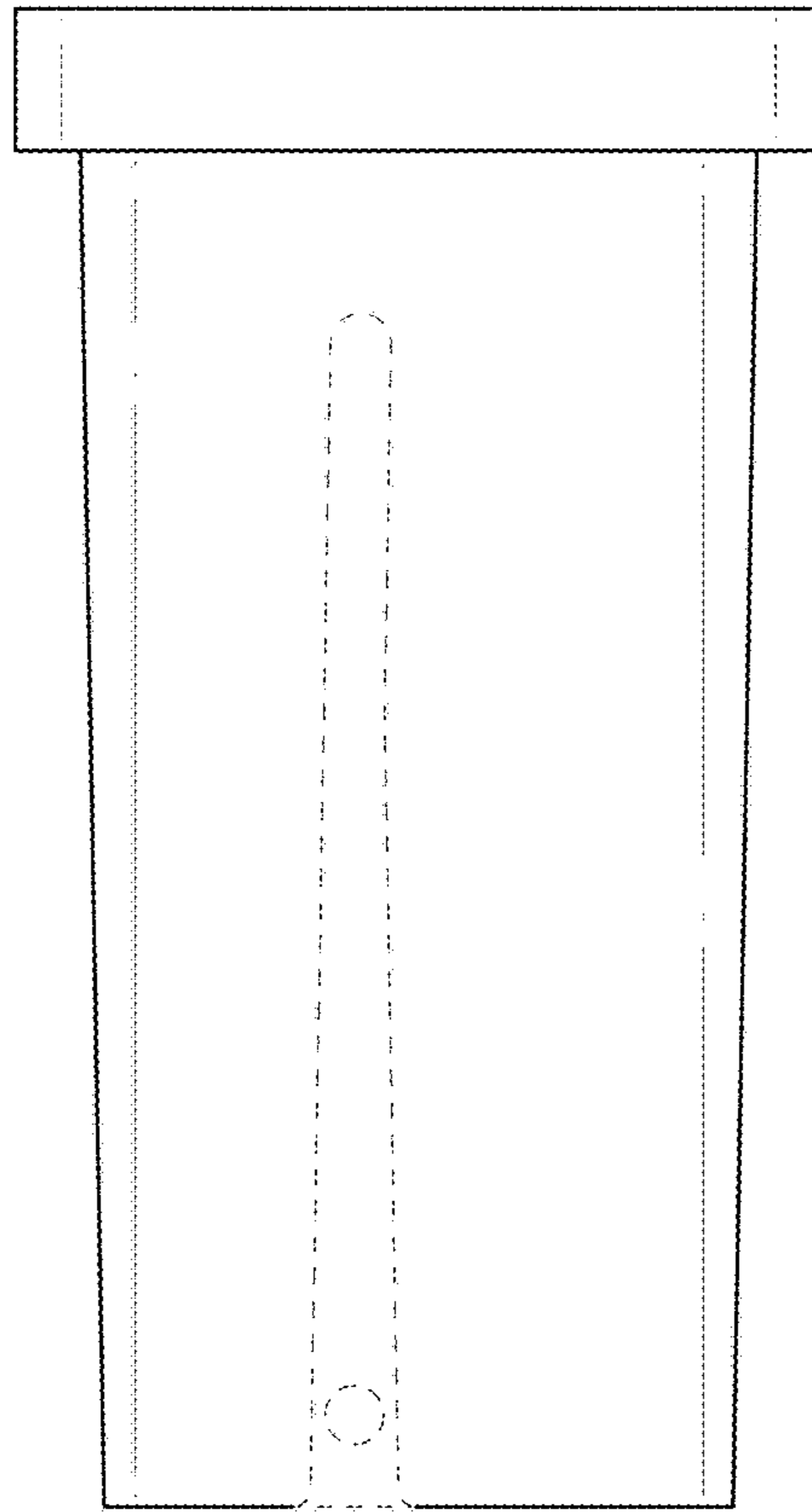


FIG. 4

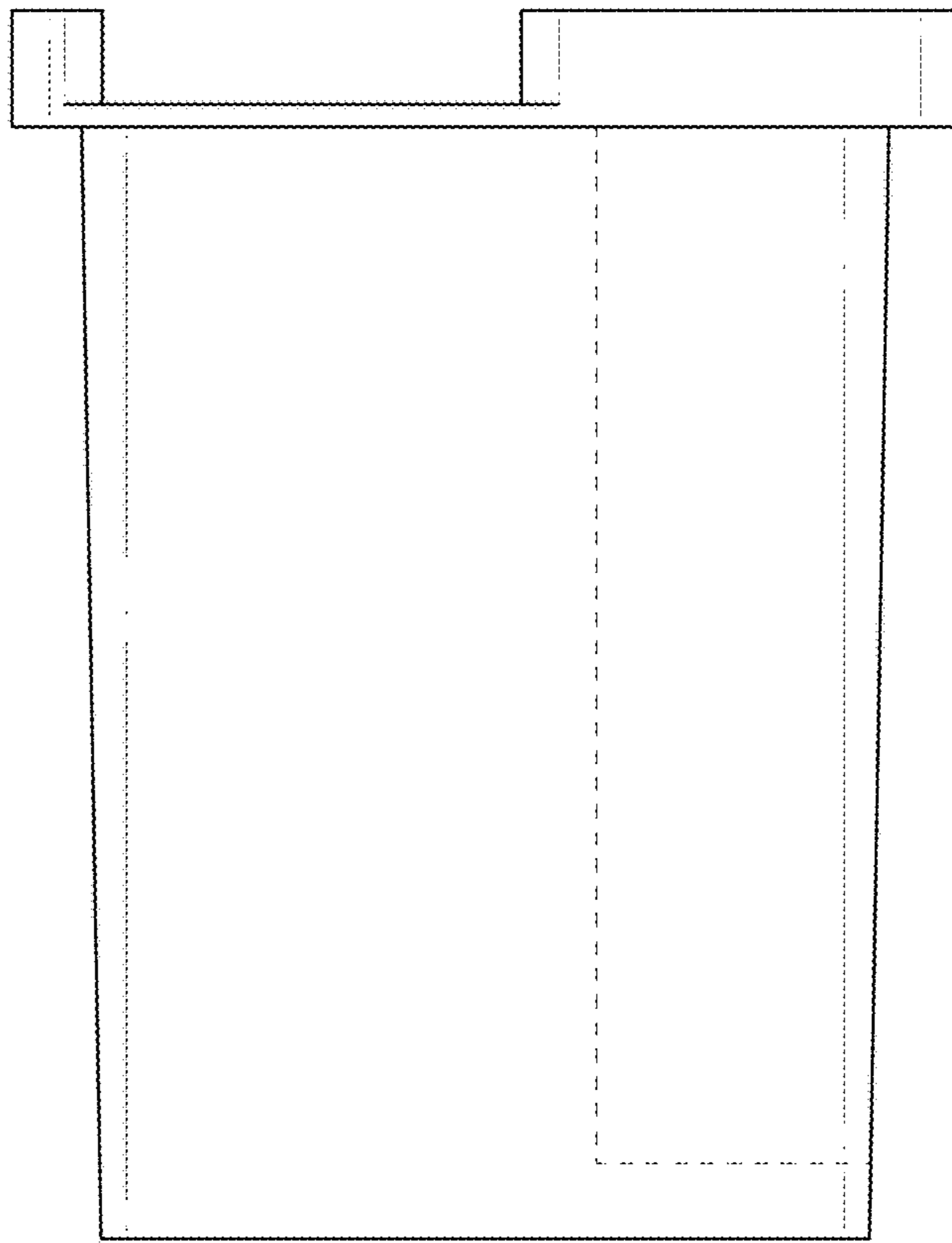


FIG. 5

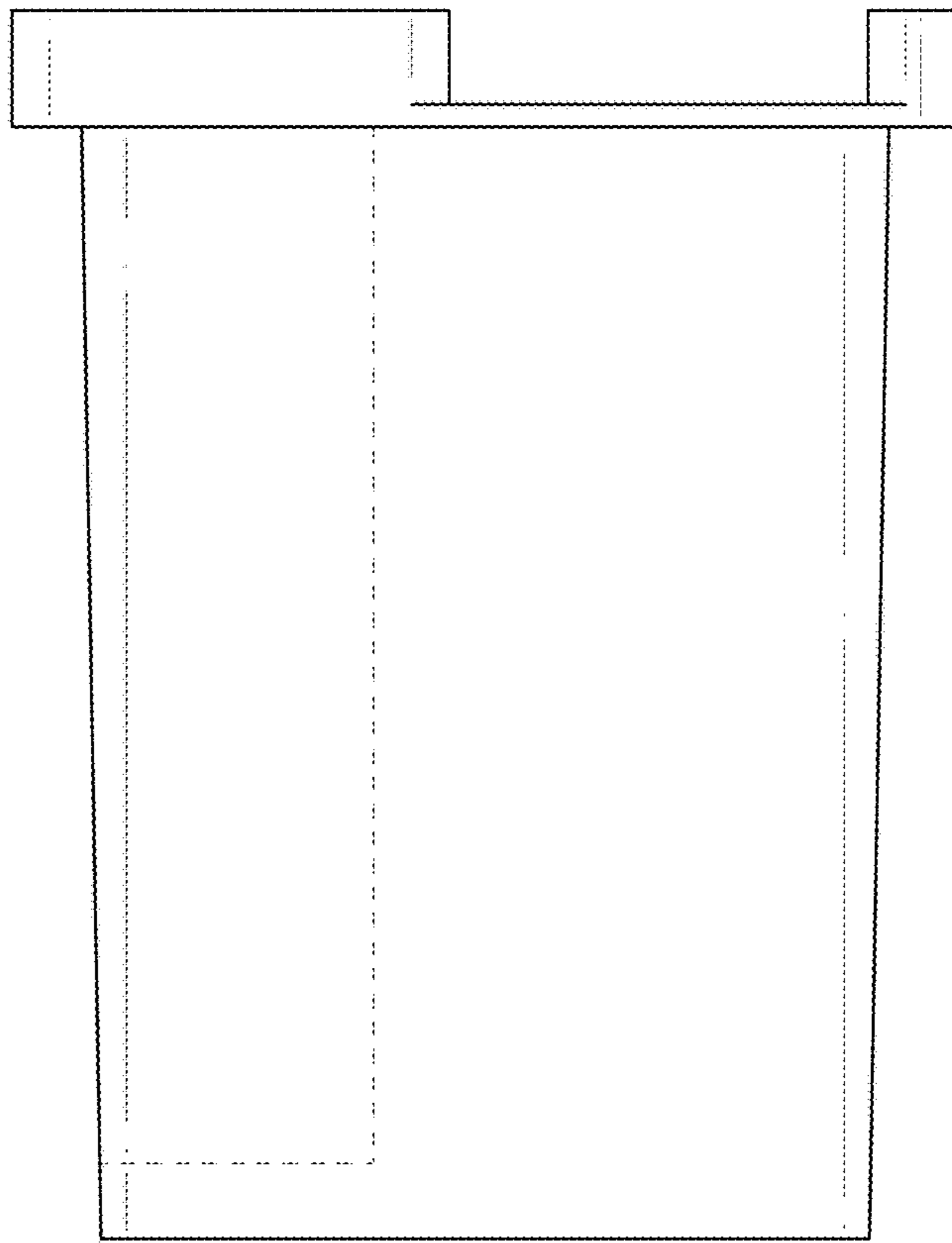


FIG. 6

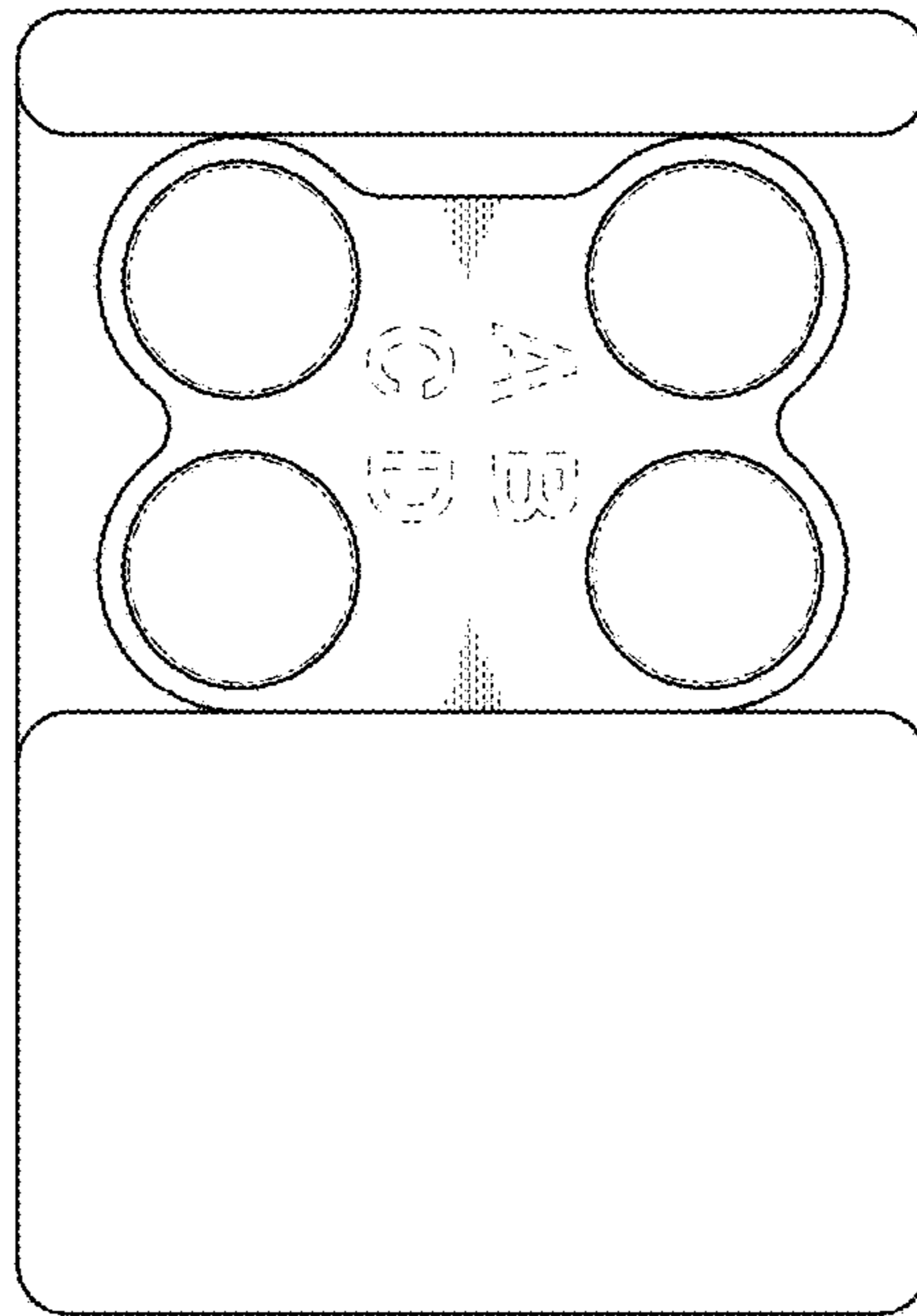


FIG. 7

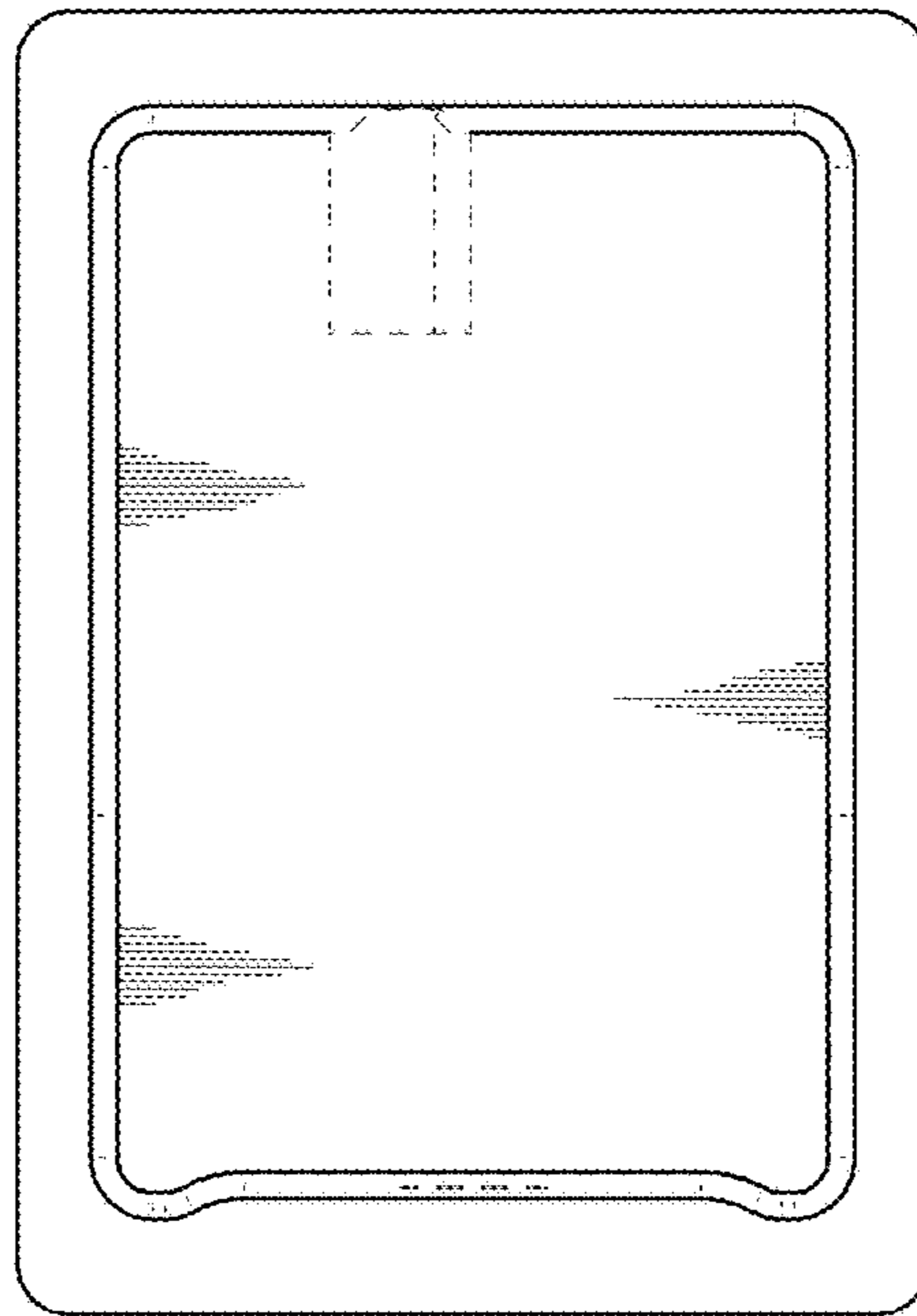


FIG. 8