



US00D855824S

(12) **United States Design Patent**
LiCalzi et al.

(10) **Patent No.:** **US D855,824 S**
(45) **Date of Patent:** **** Aug. 6, 2019**

(54) **SYSTEM INCLUDING MULTIPLE INSTRUMENT MODULES AND ARRANGEMENT THEREOF**

Primary Examiner — Wan Laymon
Assistant Examiner — Mark Booker

(71) Applicant: **Siemens Healthcare Diagnostics Inc.**,
Tarrytown, NY (US)

(57) **CLAIM**

(72) Inventors: **Daniel LiCalzi**, New York, NY (US);
Youngsang Lee, Flushing, NY (US);
Mark Lloyd, Townsend, DE (US);
Gregory Bange, Newark, DE (US);
Richard Warwick, Newark, DE (US);
Robert Faranda, Boxborough, MA
(US); **Richard Watson**, Norwell, MA
(US); **Justin Cumming**, Topsfield, MA
(US)

We claim the ornamental design for an system including multiple instrument modules and arrangement thereof, as shown and described.

(73) Assignee: **Siemens Healthcare Diagnostics Inc.**,
Tarrytown, NY (US)

DESCRIPTION

(**) Term: **15 Years**

(21) Appl. No.: **29/635,202**

(22) Filed: **Jan. 29, 2018**

FIG. 1 is a front perspective view of a system including multiple instrument modules and arrangement thereof in accordance with a first embodiment;
FIG. 2 is a rear perspective view of a system including multiple instrument modules and arrangement thereof;
FIG. 3 is a front elevational view of a system including multiple instrument modules and arrangement thereof;
FIG. 4 is a rear elevational view of a system including multiple instrument modules and arrangement thereof;
FIG. 5 is a left side elevational view of a system including multiple instrument modules and arrangement thereof;
FIG. 6 is a right side elevational view of a system including multiple instrument modules and arrangement thereof;
FIG. 7 is a top view of a system including multiple instrument modules and arrangement thereof;
FIG. 8 is a bottom view of a system including multiple instrument modules and arrangement thereof;
FIG. 9 is a front perspective view of a system including multiple instrument modules and arrangement thereof in accordance with a second embodiment;
FIG. 10 is a front elevational view of a system including multiple instrument modules and arrangement thereof;
FIG. 11 is a rear elevational view of a system including multiple instrument modules and arrangement thereof;
FIG. 12 is a left side elevational view of a system including multiple instrument modules and arrangement thereof;

Related U.S. Application Data

(62) Division of application No. 29/569,426, filed on Jun. 27, 2016, now Pat. No. Des. 816,240.

(51) **LOC (12) Cl.** **24-01**

(52) **U.S. Cl.**
USPC **D24/216**

(58) **Field of Classification Search**
USPC D24/216, 111, 127, 107, 169, 186, 217,
D24/219, 223–224, 231–234; D10/46,
(Continued)

(56) **References Cited**

U.S. PATENT DOCUMENTS

D645,367 S * 9/2011 Hayashi D10/81
D669,189 S * 10/2012 Liu D24/216
(Continued)

(Continued)

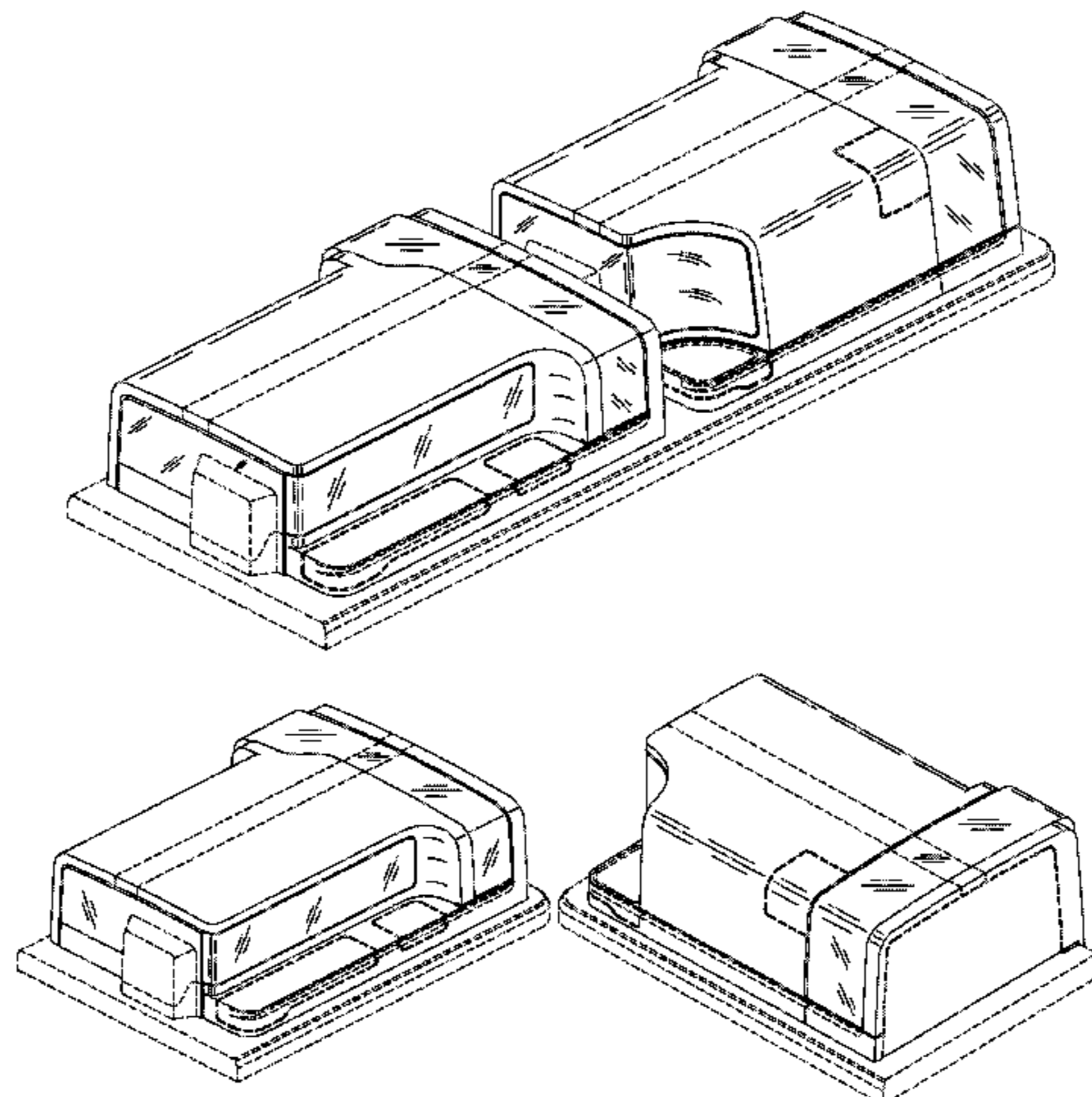


FIG. 13 is a right side elevational view of a system including multiple instrument modules and arrangement thereof;
 FIG. 14 is a top view of a system including multiple instrument modules and arrangement thereof; and,
 FIG. 15 is a bottom view of a system including multiple instrument modules and arrangement thereof.
 The broken lines shown in the figures represent portions of the system including multiple instrument modules and arrangement thereof that form no part of the claimed design.

1 Claim, 15 Drawing Sheets

(58) **Field of Classification Search**

USPC D10/70, 81, 97; 422/1, 62-65, 67, 68.1,
 422/70, 81, 129, 500, 506, 561,
 422/FOR. 106; 435/287.1, 287.3;
 436/43, 45, 47; 600/300, 301, 368, 372,
 600/481, 529, 544, 554, 561; 607/4, 5, 9,
 607/30
 CPC ... G01R 31/31907; B04B 13/00; B04B 15/00;
 B04B 2005/0435; B04B 5/0421; A61B
 5/157; G06F 19/366; B01D 21/262
 See application file for complete search history.

(56)

References Cited

U.S. PATENT DOCUMENTS

D676,143	S	*	2/2013	Liu	D24/216
D676,568	S	*	2/2013	Liu	D24/216
D685,483	S	*	7/2013	LiCalzi	D24/216
D735,878	S	*	8/2015	Chang	D24/216
D738,243	S	*	9/2015	Selberg	D10/81
D804,681	S	*	12/2017	LiCalzi	D24/216
D806,259	S	*	12/2017	LiCalzi	D24/216
D810,956	S	*	2/2018	LiCalzi	D24/216
D812,241	S	*	3/2018	LiCalzi	D24/216
D813,410	S	*	3/2018	LiCalzi	D24/216
D816,238	S	*	4/2018	LiCalzi	D24/216
D816,239	S	*	4/2018	LiCalzi	D24/216
D816,240	S	*	4/2018	LiCalzi	D24/216
D816,241	S	*	4/2018	LiCalzi	D24/216
D816,242	S	*	4/2018	LiCalzi	D24/216
D816,859	S	*	5/2018	LiCalzi	D24/216
D816,860	S	*	5/2018	LiCalzi	D24/216
D820,995	S	*	6/2018	LiCalzi	D24/216
D826,423	S	*	8/2018	LiCalzi	D24/216
D826,424	S	*	8/2018	LiCalzi	D24/216

* cited by examiner

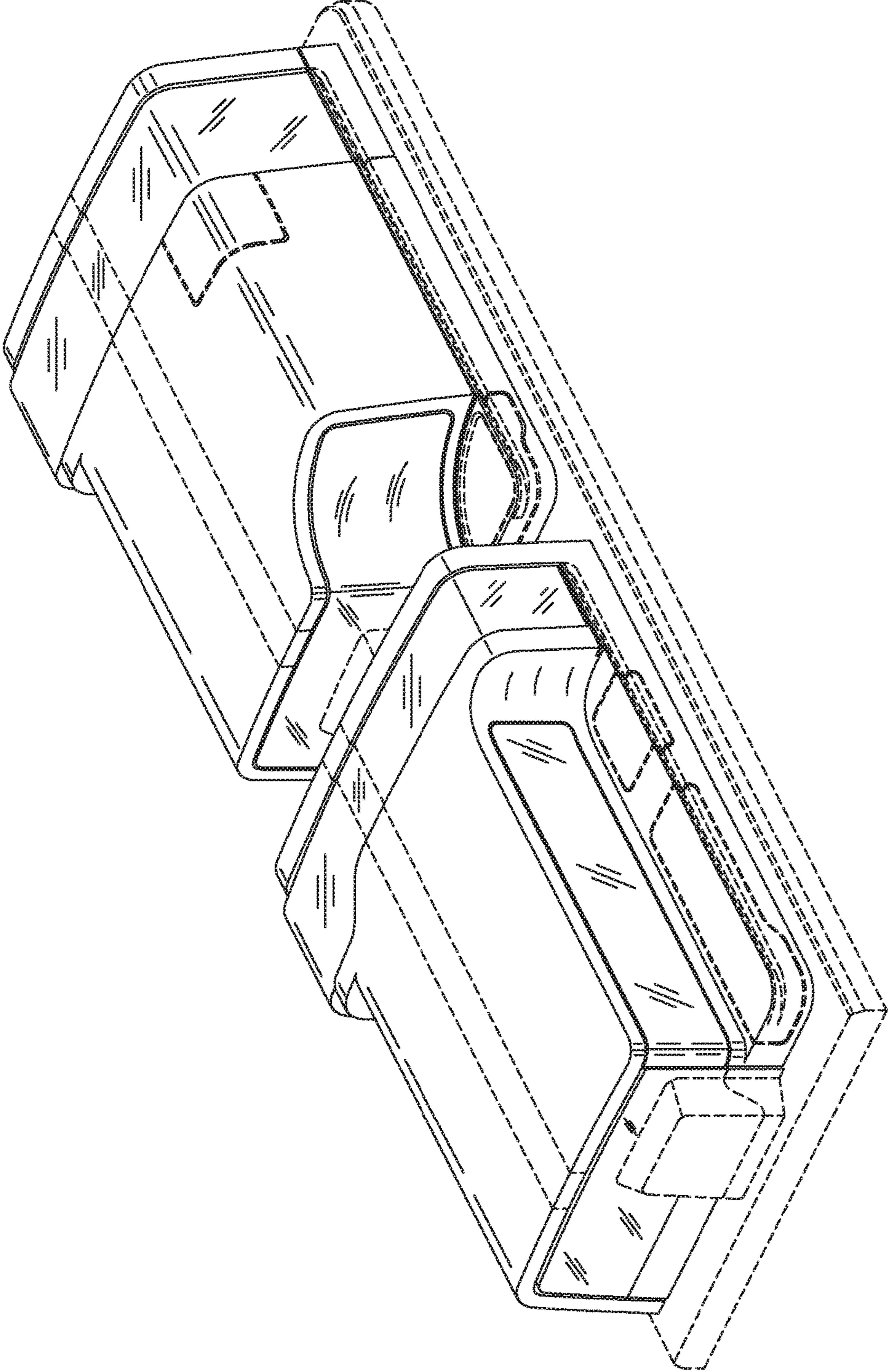


FIG. 1

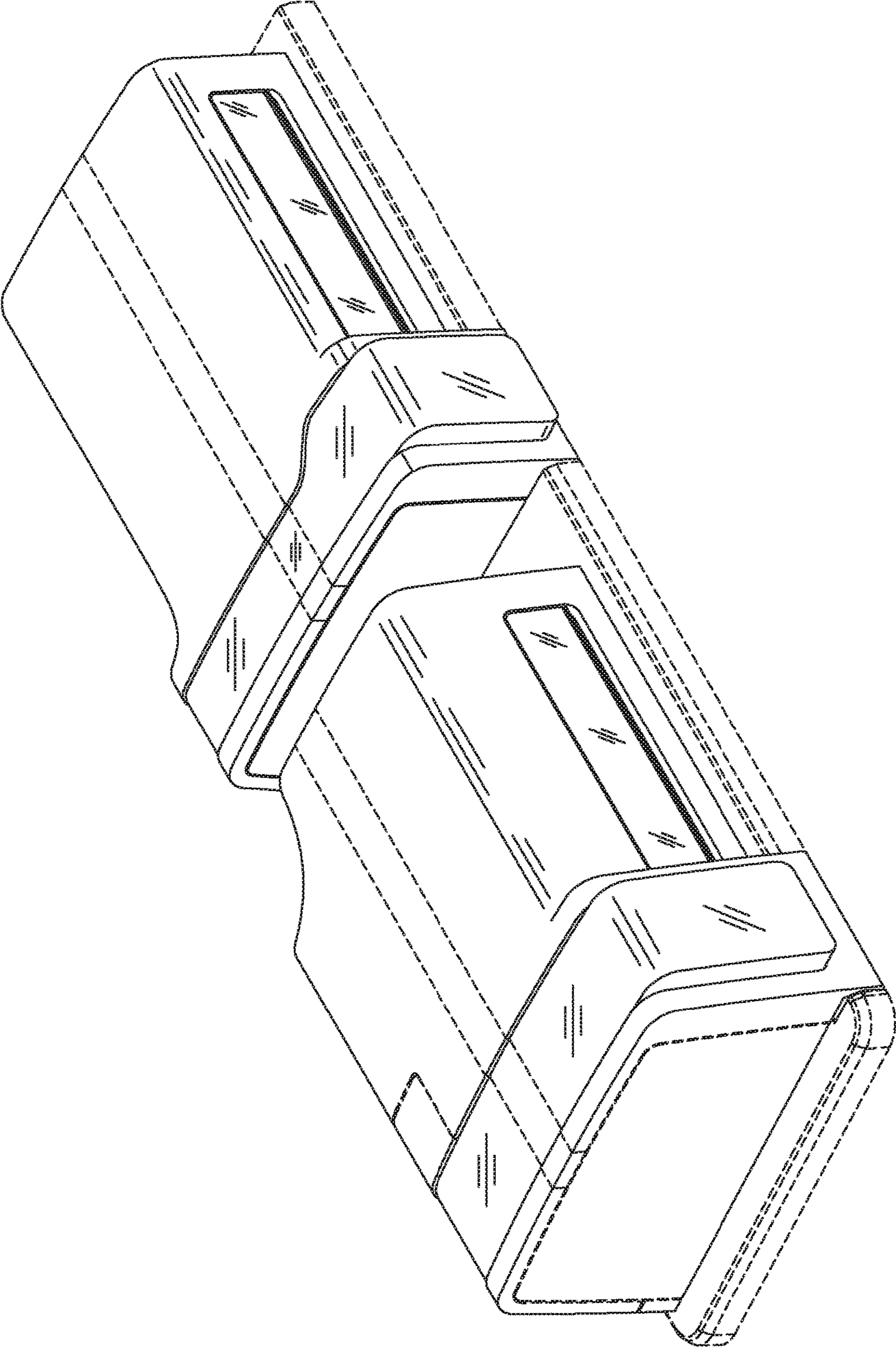


FIG. 2

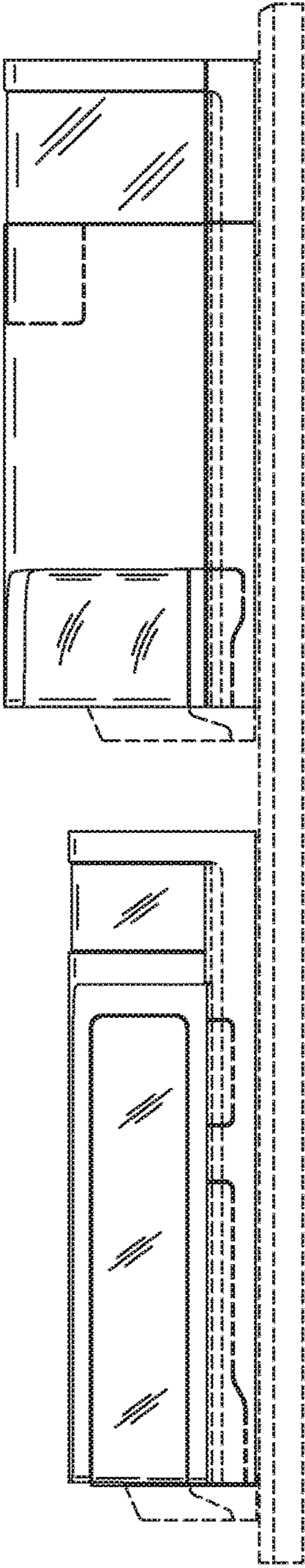


FIG. 3

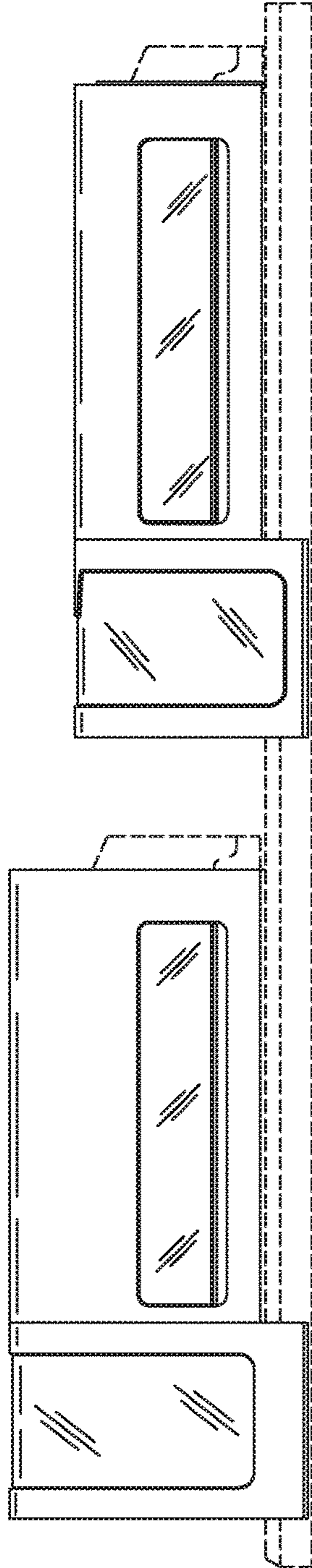


FIG. 4

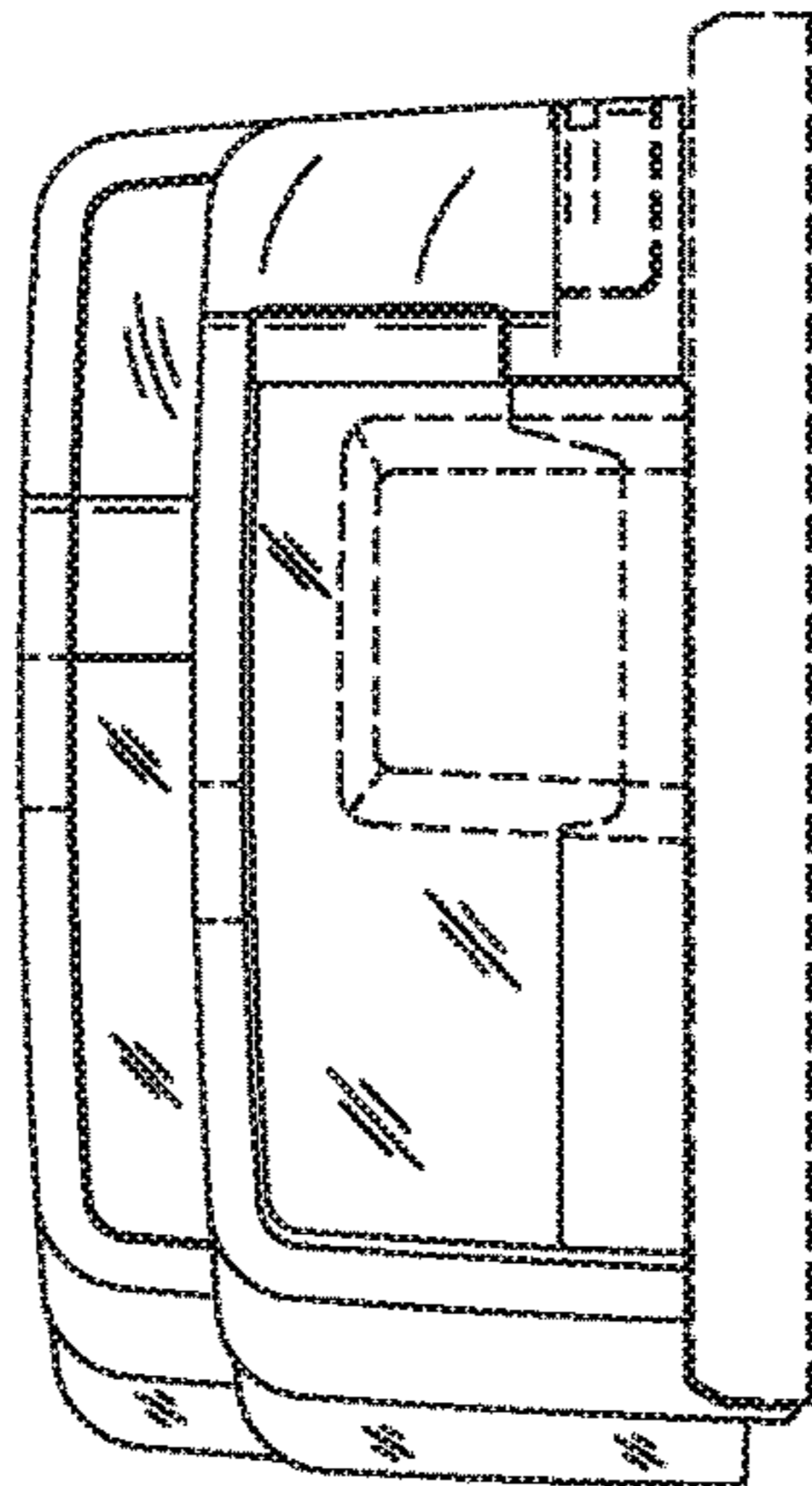


FIG. 5

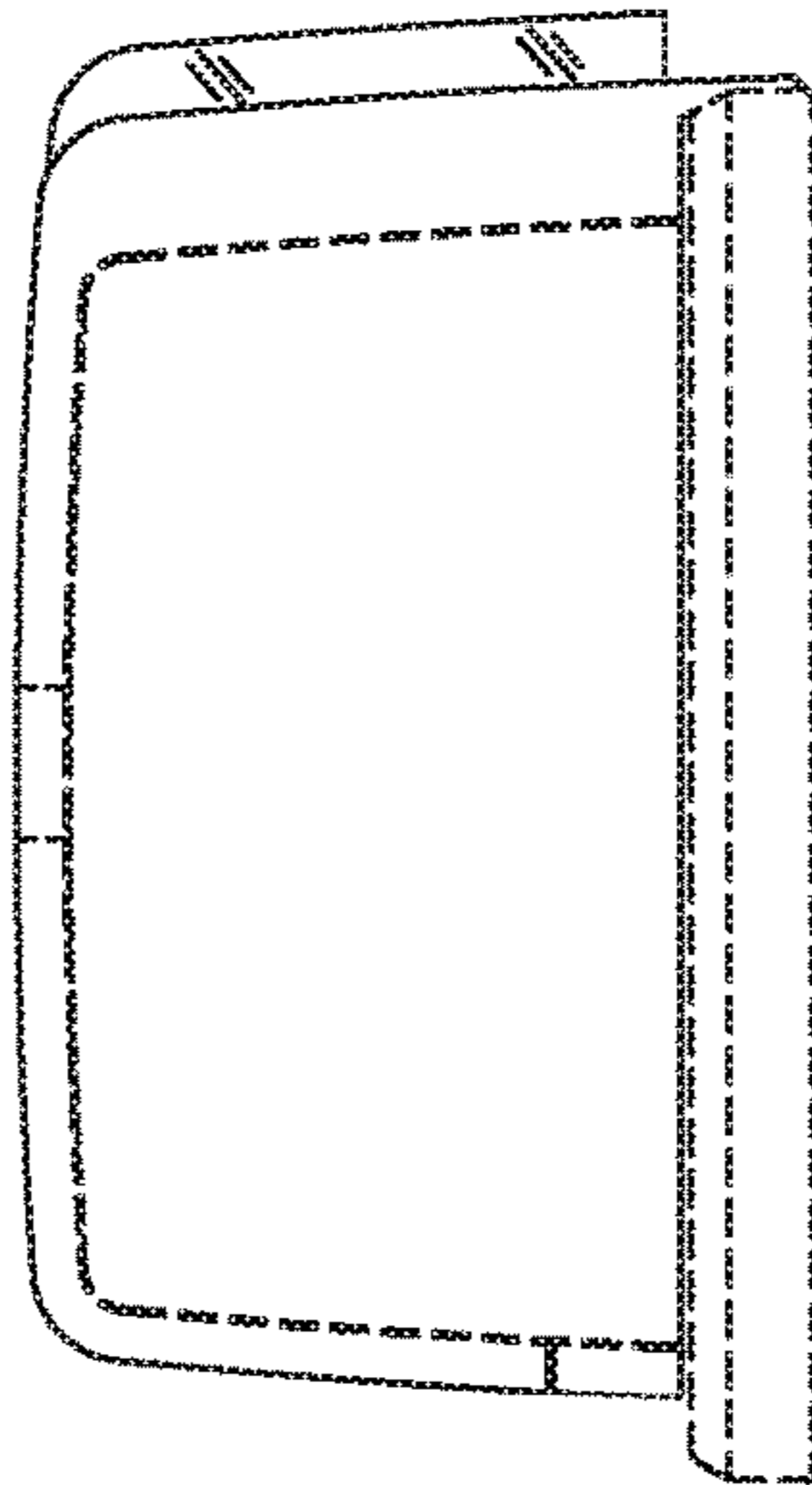


FIG. 6

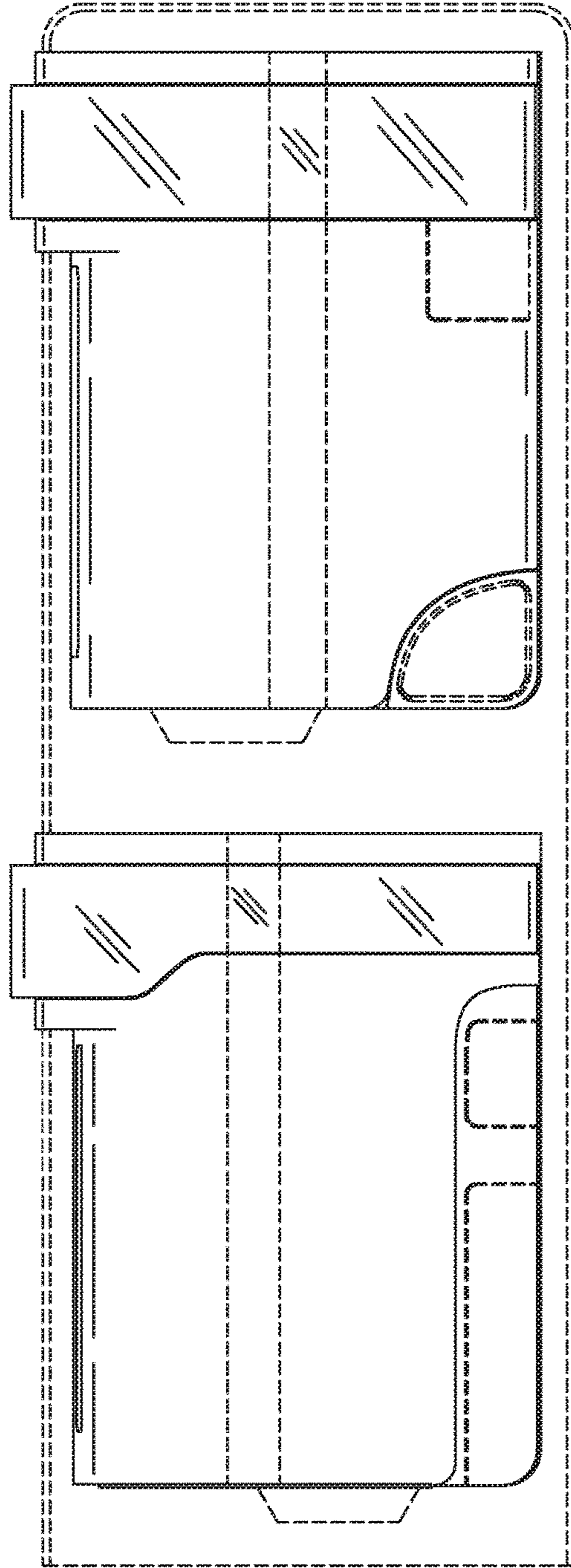


FIG. 7

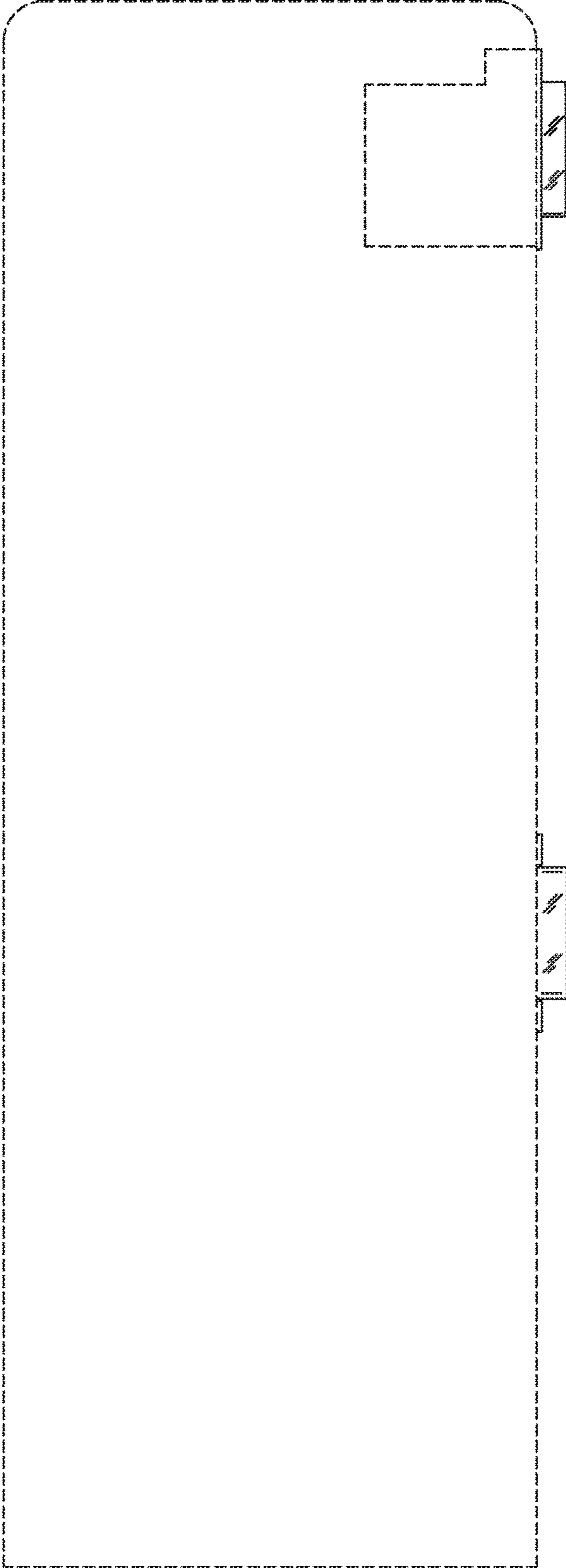


FIG. 8

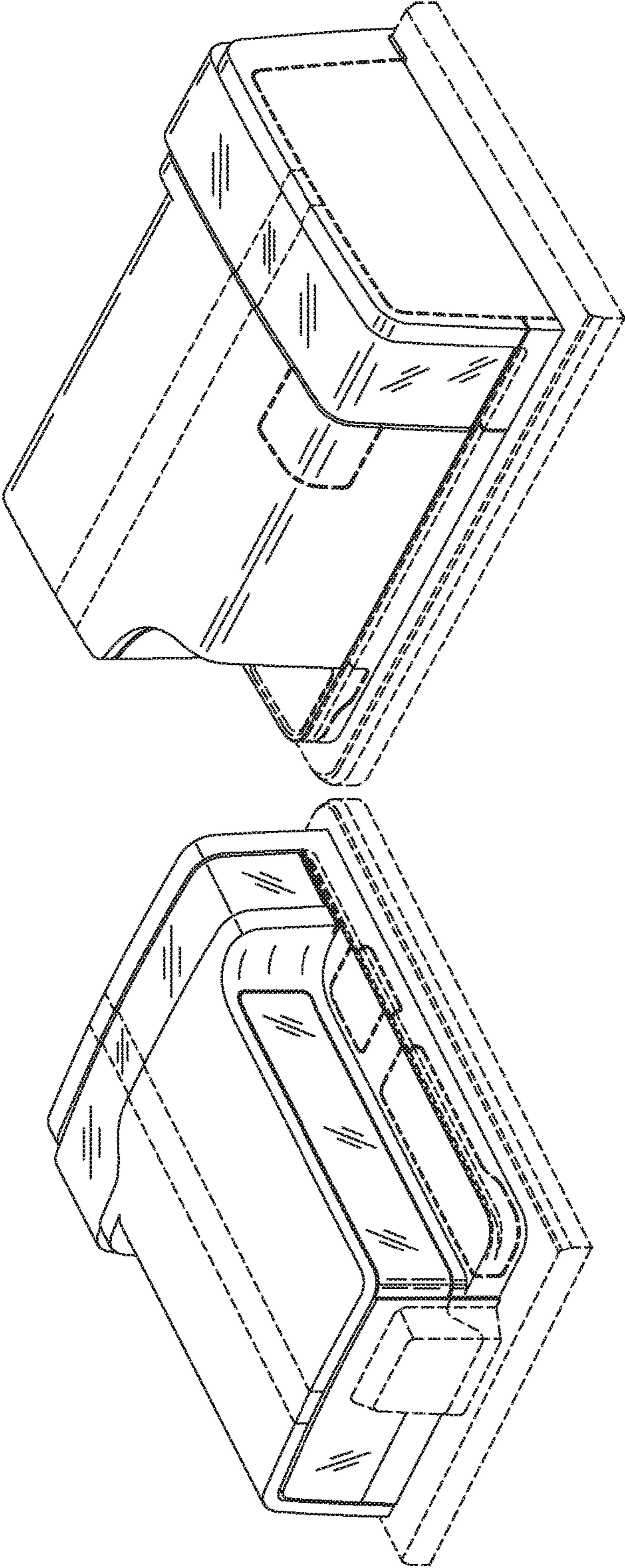


FIG. 9

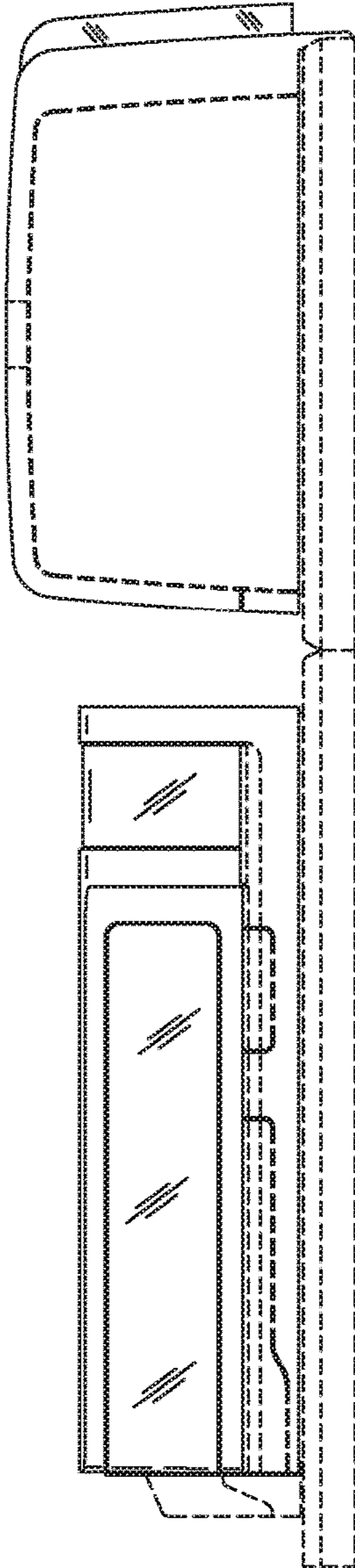


FIG. 10

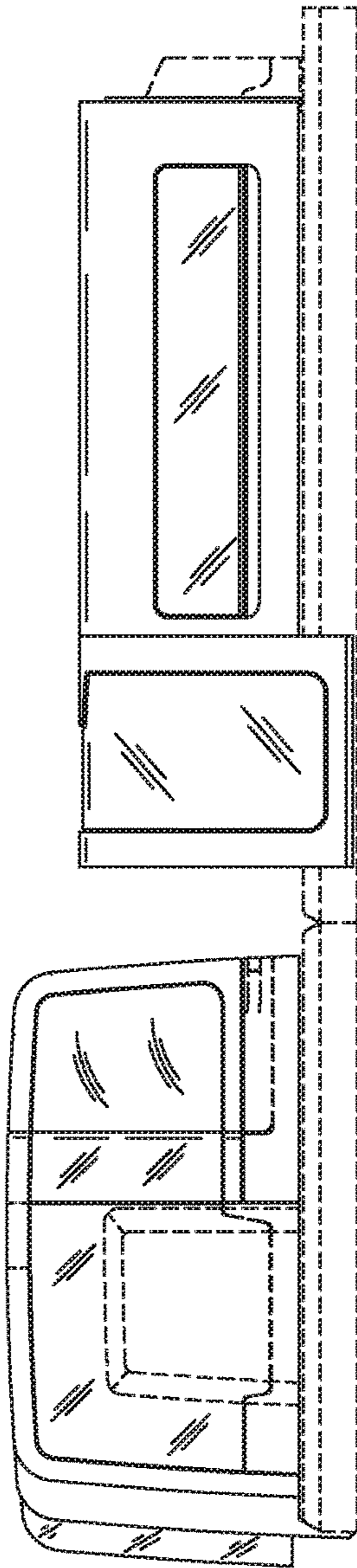


FIG. 11

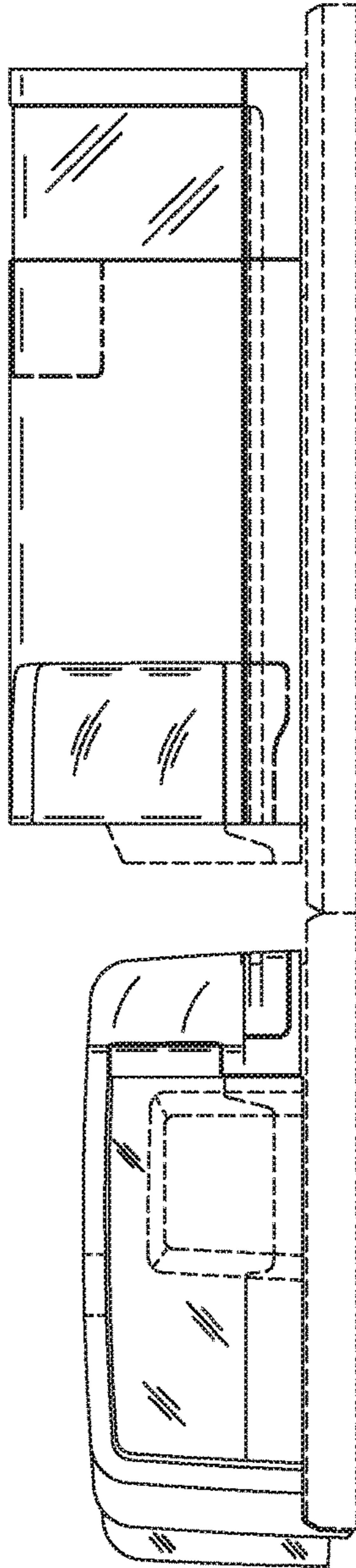


FIG. 12

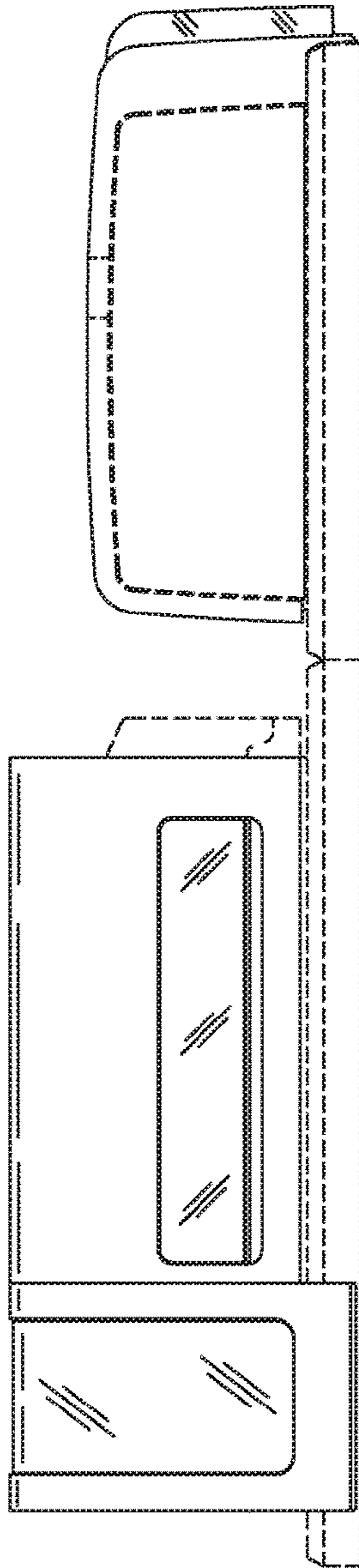


FIG. 13

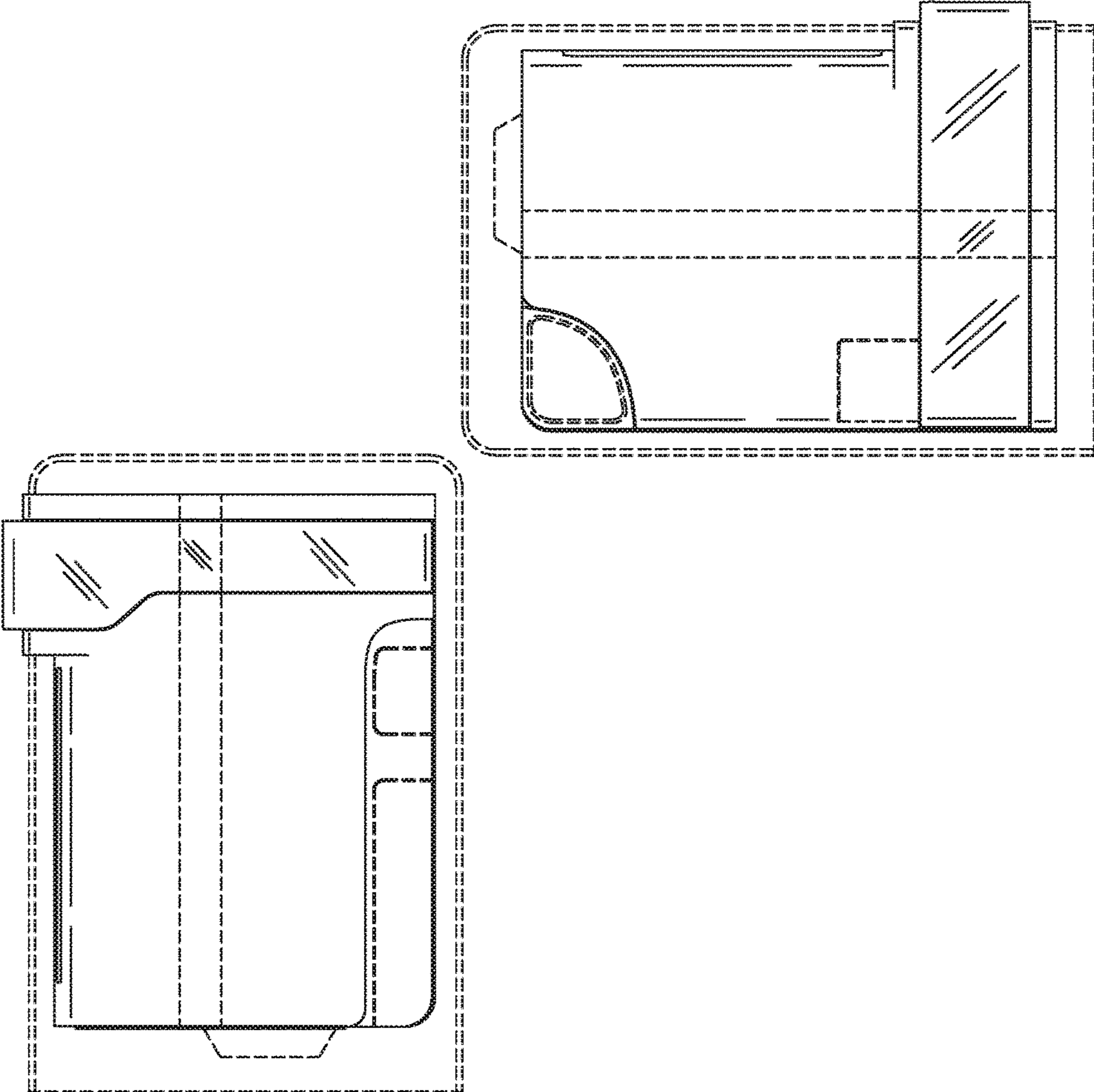


FIG. 14

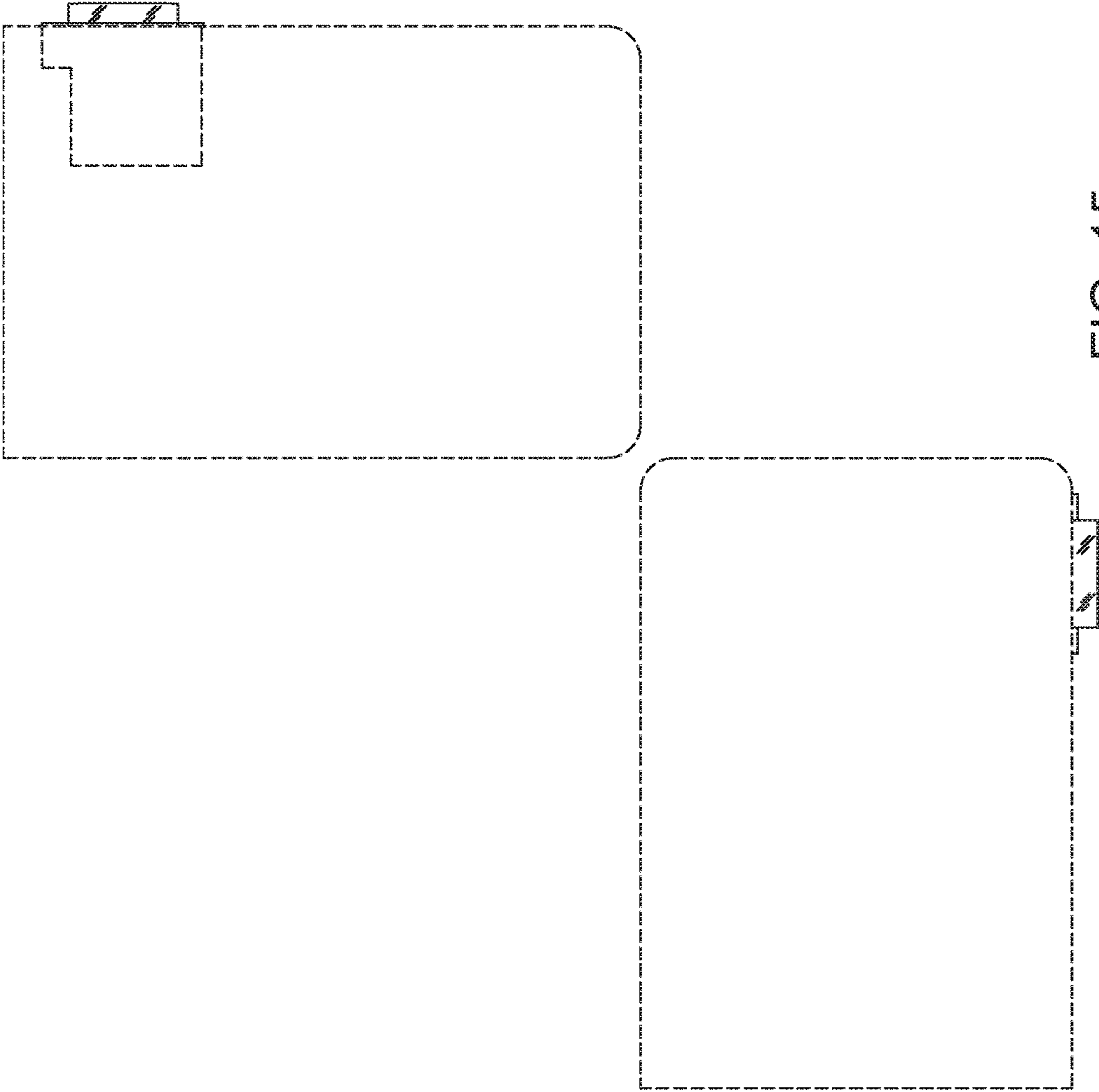


FIG. 15