



US00D855823S

(12) **United States Design Patent** (10) **Patent No.:** **US D855,823 S**
Williamson et al. (45) **Date of Patent:** **** Aug. 6, 2019**

(54) **ANALYSIS UNIT**

FOREIGN PATENT DOCUMENTS

(71) Applicant: **Illumina, Inc.**, San Diego, CA (US)
(72) Inventors: **Erik Lewis Williamson**, Carlsbad, CA (US); **Anna Skaro Quackenbush**, Poway, CA (US); **Tricia Nguyen Lewis**, San Diego, CA (US); **Lea Sandra Kobeli**, San Francisco, CA (US); **Edward Wilson Licitra**, San Francisco, CA (US)

JP D1344389 11/2008
JP D1579840 6/2017
TW D187235 11/2016

OTHER PUBLICATIONS

Illumina, posted at businesswire.com, posted Jan. 9, 2017, online, URL: <https://www.businesswire.com/news/home/20170109006363/en/Illumina-Introduces-NovaSeq-Series%E2%80%9494a-New-Architecture-Designed> (Year: 2017).*

(73) Assignee: **Illumina, Inc.**, San Diego, CA (US)

(Continued)

(**) Term: **15 Years**

Primary Examiner — Anhdao Doan

(21) Appl. No.: **29/589,975**

Assistant Examiner — Mary Shannon Malley

(22) Filed: **Jan. 5, 2017**

(74) *Attorney, Agent, or Firm* — Weaver Austin Villeneuve & Sampson LLP

(51) **LOC (12) Cl.** **24-01**

(52) **U.S. Cl.**
USPC **D24/216**

(57) **CLAIM**

(58) **Field of Classification Search**
USPC D24/216–219, 231–233, 107, 169, 186; D10/81
CPC G01N 2035/00306; G01N 2035/00326; G01N 2035/00336; G01N 2030/027; G01N 33/53; C12Q 1/6869; C12Q 1/6806; B01D 15/3804; B01D 15/3819; G06K 9/00127

We claim the ornamental design for an analysis unit, as shown and described.

See application file for complete search history.

DESCRIPTION

(56) **References Cited**

U.S. PATENT DOCUMENTS

D298,854 S * 12/1988 Kame D24/169
D676,976 S * 2/2013 Walsh D24/216
D687,561 S * 8/2013 Iseki D24/216
D693,019 S * 11/2013 Isozaki D24/216
D721,820 S * 1/2015 Oonuma D24/216
D729,405 S * 5/2015 Ramstad D24/233
D759,519 S * 6/2016 Apotheloz D10/81
D788,617 S * 6/2017 Barton D10/81

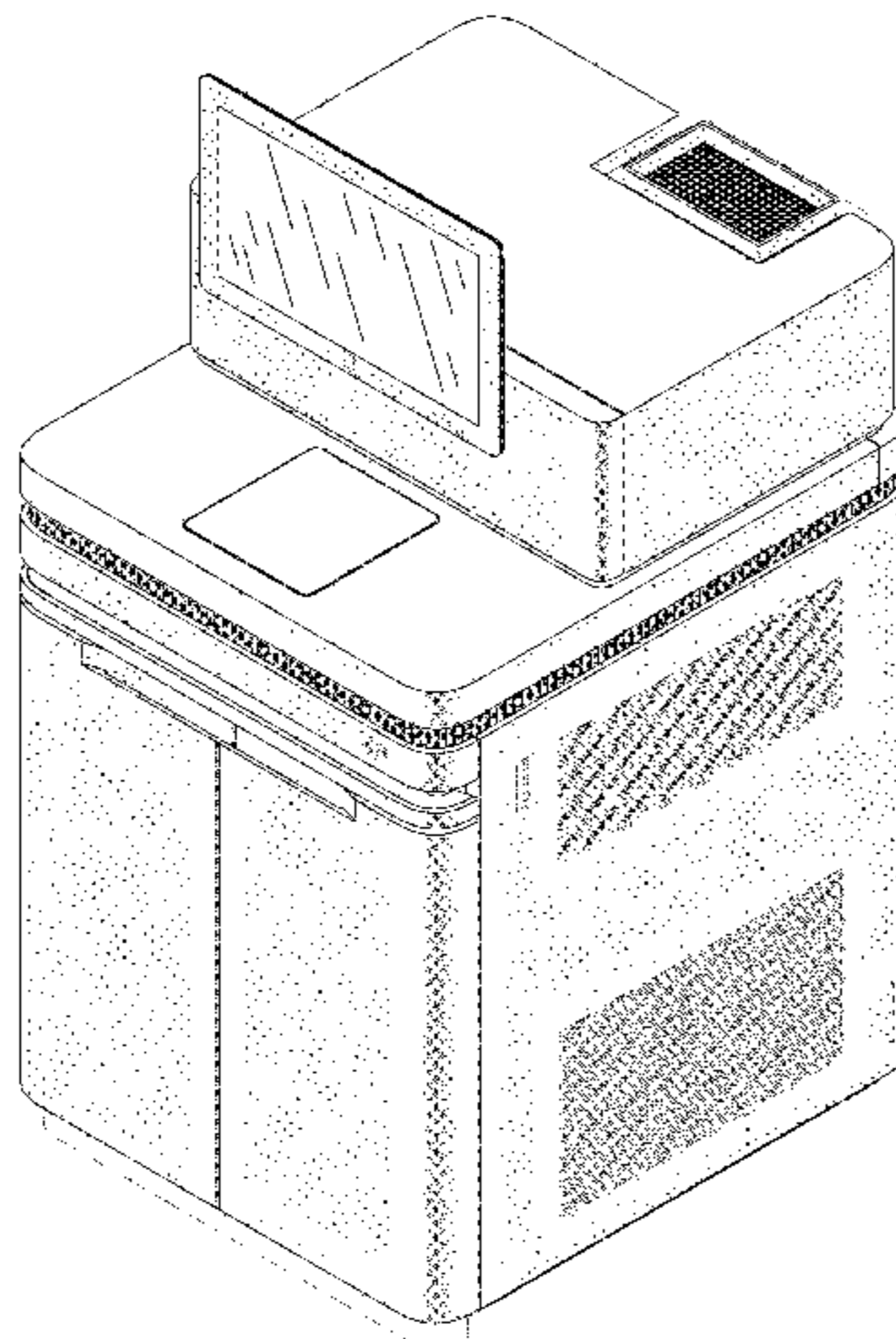
FIG. 1 is an isometric view of an analysis unit; FIG. 1 is reduced in scale by 10% from the other Figures in order to fit within the page margins, but is the same scale as FIG. 8. FIG. 2 is a right side view of the analysis unit of FIG. 1. FIG. 3 is a left side view of the analysis unit of FIG. 1. FIG. 4 is a top view of the analysis unit of FIG. 1. FIG. 5 is a bottom view of the analysis unit of FIG. 1. FIG. 6 is a rear view of the analysis unit of FIG. 1; and, FIG. 7 is a front view of the analysis unit of FIG. 1.

Stipple shading is used in the accompanying Figures to convey surface contouring and is not indicative of any particular texture or coloring.

The broken lines shown in the drawings illustrate portions of the analysis unit that form no part of the claimed design.

(Continued)

1 Claim, 7 Drawing Sheets



(56)

References Cited

U.S. PATENT DOCUMENTS

D794,211 S * 8/2017 Ang D24/232
D799,999 S * 10/2017 Barton D10/81
D802,785 S * 11/2017 Barton D24/216
2009/0191619 A1* 7/2009 Eisfeld G06K 9/00127
435/288.7
2013/0288355 A1* 10/2013 DeWitte G01N 30/06
435/288.6

OTHER PUBLICATIONS

Taiwan Office Action dated Apr. 4, 2018, issued in Taiwan Patent Application No. 106303764.

U.S. Appl. No. 29/589,976, filed Jan. 5, 2017, Williamson, et al.

* cited by examiner

Figure 1

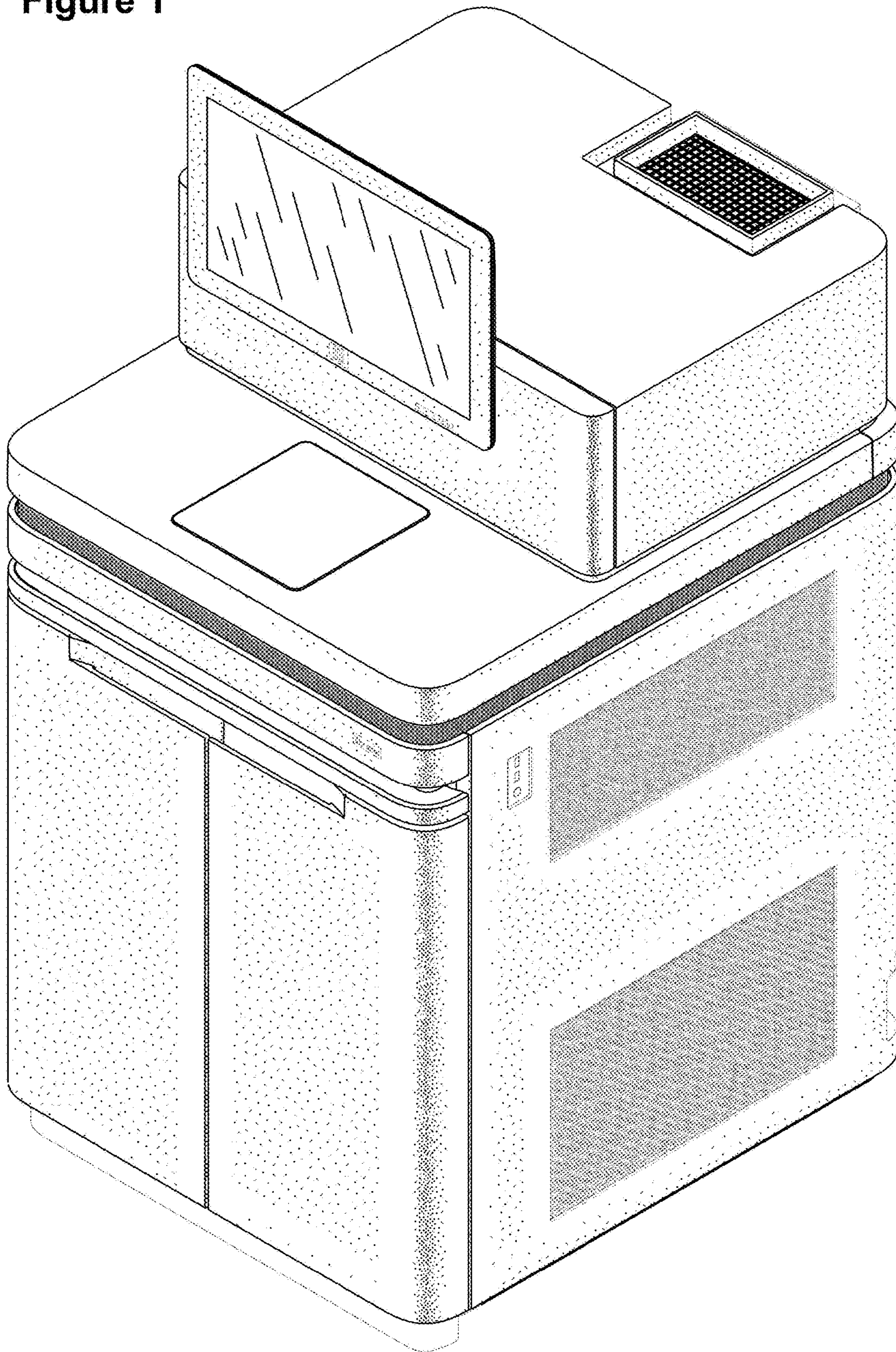


Figure 2

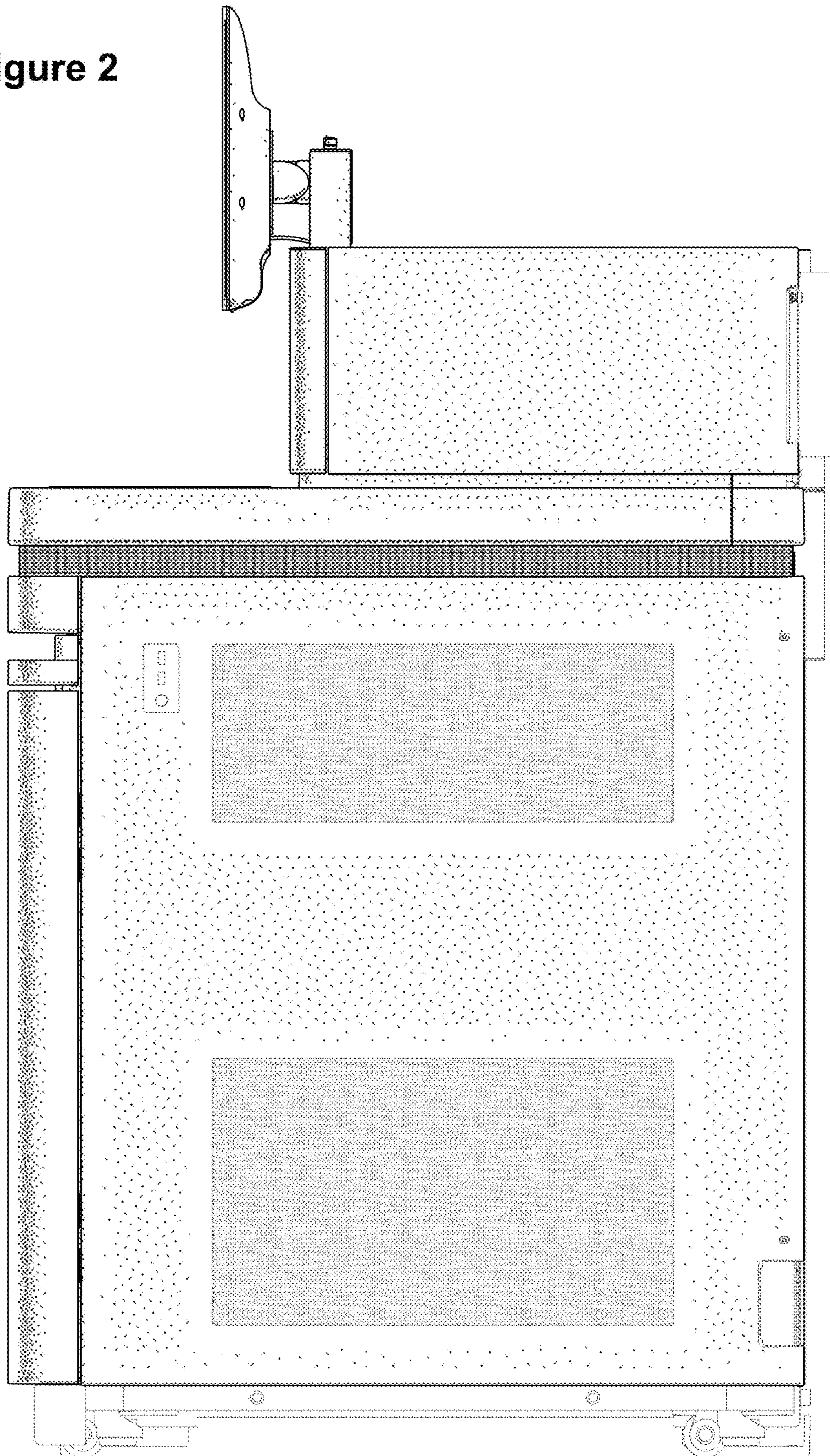
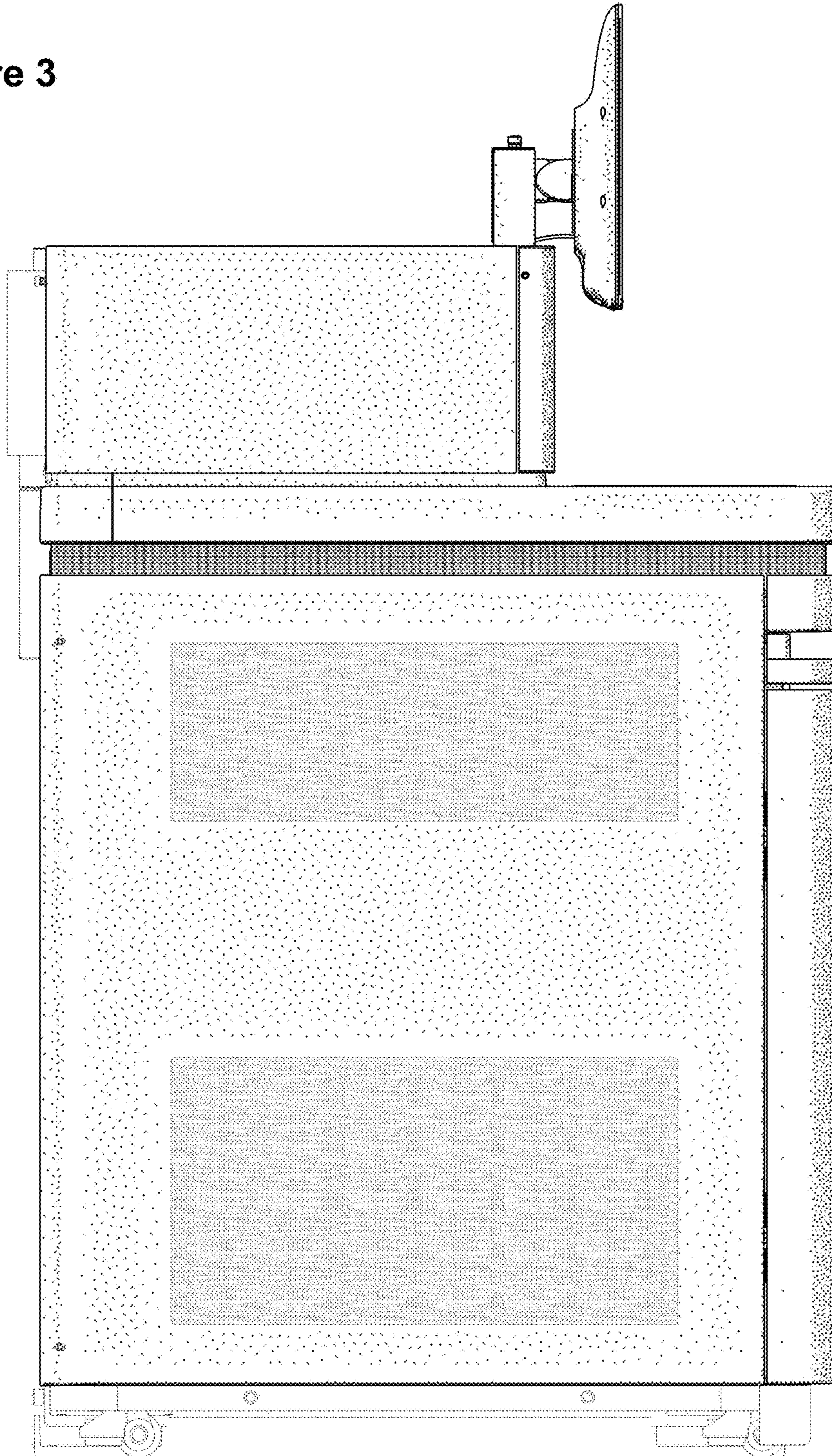


Figure 3



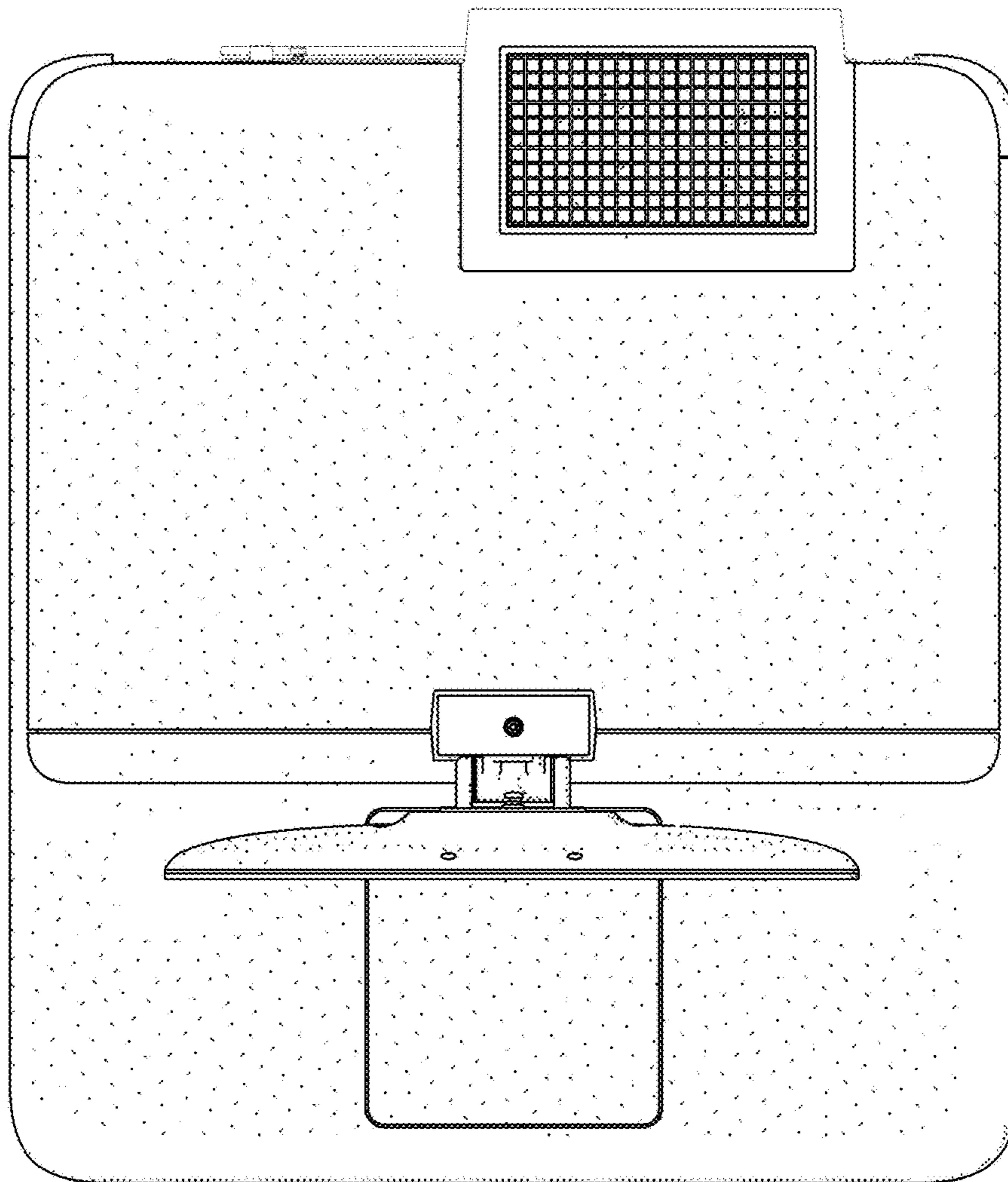


Figure 4

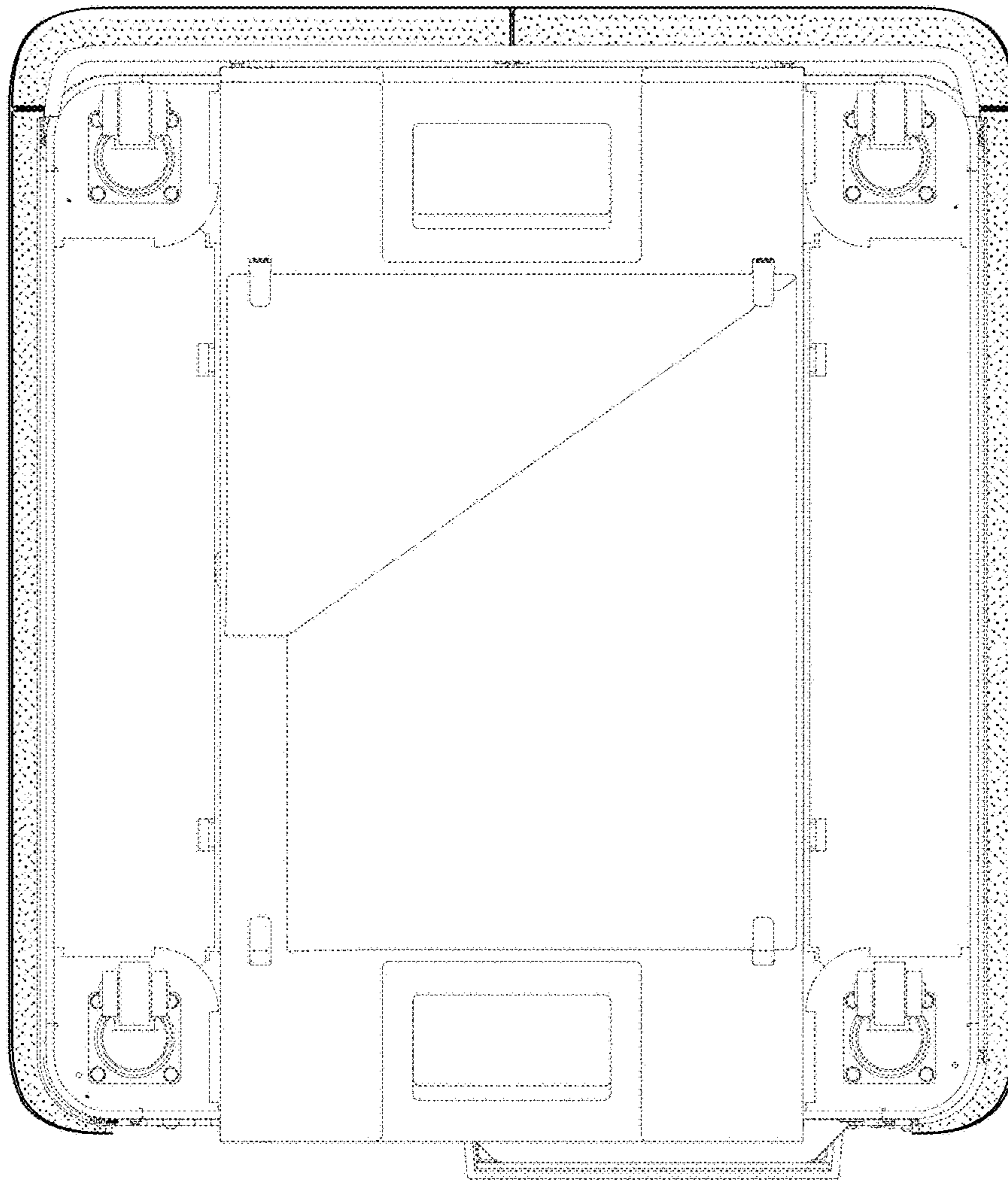


Figure 5

Figure 6

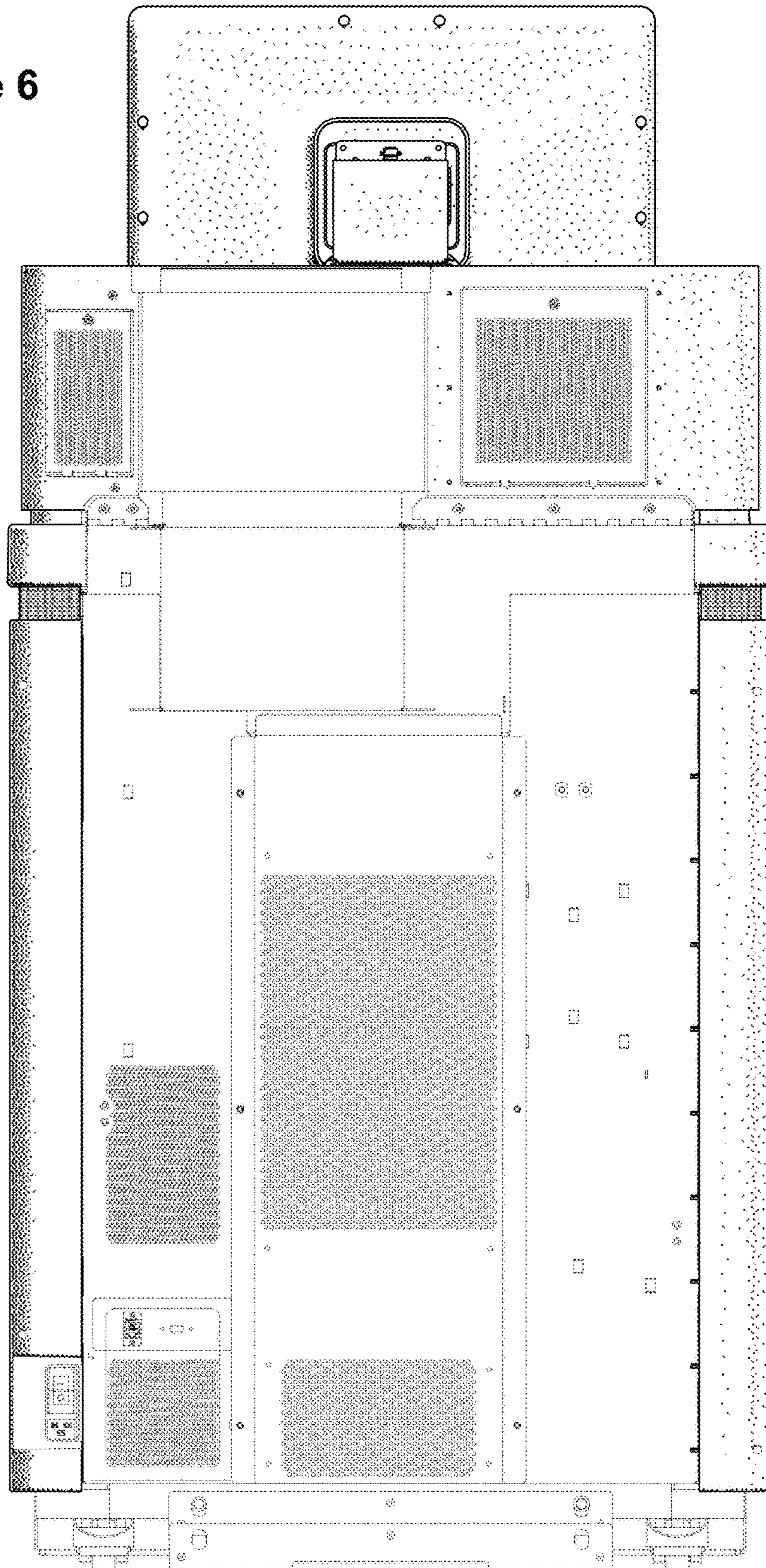


Figure 7

