



US00D855822S

(12) **United States Design Patent** (10) **Patent No.:** **US D855,822 S**
Marton et al. (45) **Date of Patent:** **** Aug. 6, 2019**

(54) **PERCUSSIVE MASSAGE DEVICE**

(71) Applicant: **Hyper Ice, Inc.**, Irvine, CA (US)

(72) Inventors: **Robert Marton**, Yorba Linda, CA (US); **Anthony Katz**, Laguna Niguel, CA (US)

(73) Assignee: **Hyper Ice, Inc.**, Irvine, CA (US)

(**) Term: **15 Years**

(21) Appl. No.: **29/637,855**

(22) Filed: **Feb. 22, 2018**

(51) **LOC (12) Cl.** **28-03**

(52) **U.S. Cl.**
USPC **D24/215**

(58) **Field of Classification Search**
USPC .. 601/15, 18, 19, 27, 28-32, 46, 47, 48, 52, 601/72, 99, 112, 113, 118, 135, 137, 601/DIG. 12, DIG. 14, DIG. 15, DIG. 16, 601/DIG. 17; D24/200, 211, 212, 213, D24/214, 215; D30/160; D8/61, 68; 600/38, 39, 40, 41
CPC A61H 2015/0042; A61H 23/00
See application file for complete search history.

(56) **References Cited**

U.S. PATENT DOCUMENTS

D323,034 S * 1/1992 Reinstein D24/200
D329,291 S * 9/1992 Wollman D24/200
D329,292 S * 9/1992 Wollman D24/200
D335,073 S * 4/1993 Anthony D8/61
D388,175 S * 12/1997 Lie D24/215
D403,220 S * 12/1998 Kimata D8/68
6,401,289 B1 * 6/2002 Herbert A61H 7/005
601/137
6,581,596 B1 * 6/2003 Truitt A61M 16/00
128/204.18
6,682,496 B1 1/2004 Pivaroff
D487,219 S * 3/2004 Chudy D8/68
D703,337 S * 4/2014 Fuhr D24/200
D706,433 S * 6/2014 Fuhr D24/200

D738,516 S * 9/2015 Karim D24/200
D757,953 S * 5/2016 Philips D24/200
D759,831 S * 6/2016 Levi D24/200
9,889,066 B2 2/2018 Danby et al.
D823,478 S * 7/2018 Park D24/215
D825,073 S * 8/2018 Lenke D24/215
D827,842 S * 9/2018 Bainton D24/200
D827,843 S * 9/2018 Bainton D24/200

(Continued)

OTHER PUBLICATIONS

Amazon, "Hyperice Portable Massage Device", Sep. 7, 2018. https://www.amazon.com/Hyperice-Hypervolt-Portable-Massage-Device/dp/B07BDLGRTN/ref=sr_1_3?crid=ZKGGJ454VRAY9&keywords=hyperice+portable+massage+device&qid=1553098108&s=gateway&sprefix=hyperice+portable+%2Caps%2C122&sr=8-3. Shown on p. 1. (Year: 2018).*

Primary Examiner — Cynthia Ramirez
Assistant Examiner — Michael A Maharajh
(74) *Attorney, Agent, or Firm* — Patterson Intellectual Property Law, P.C.; Jerry Turner Sewell

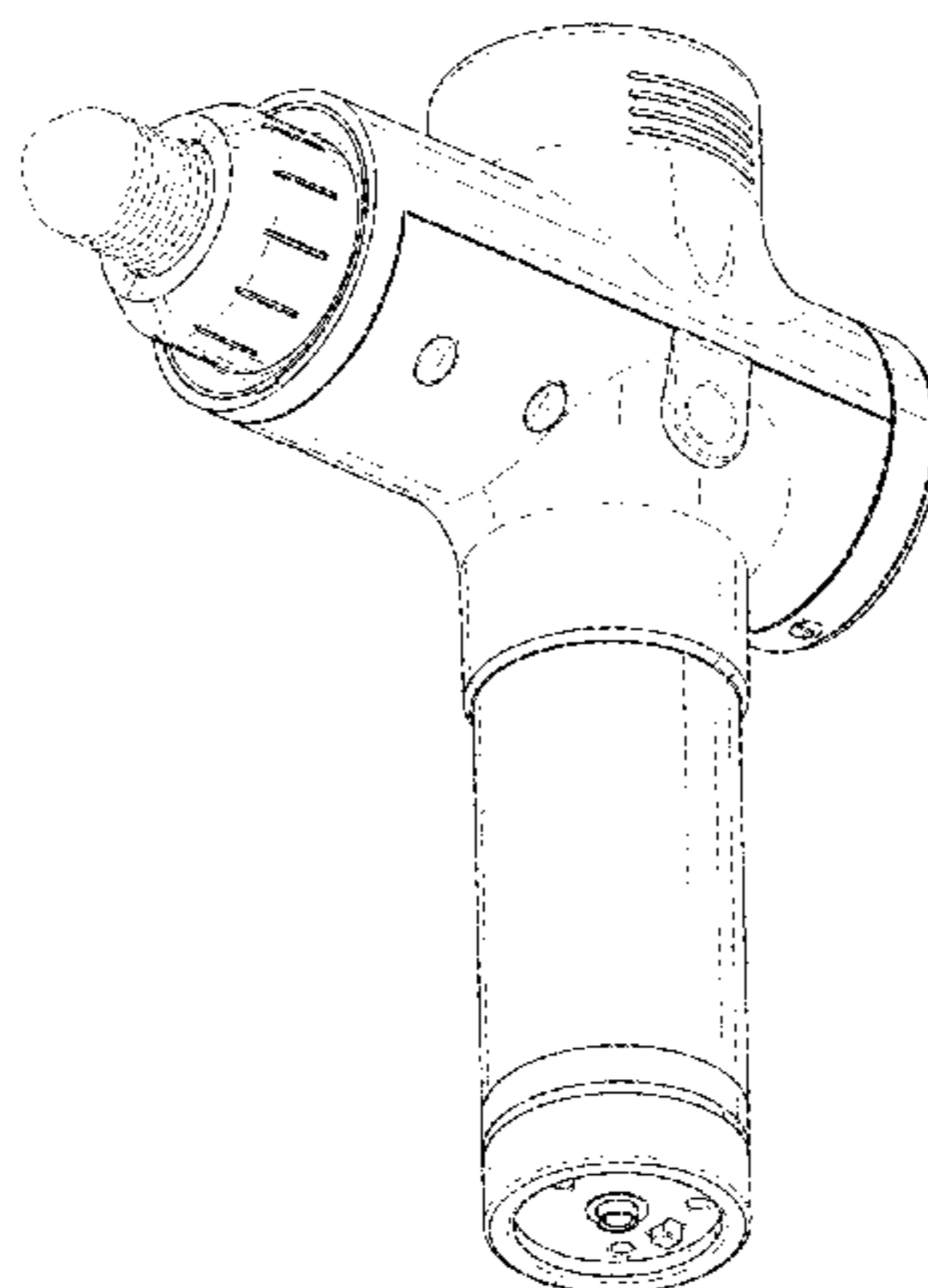
(57) **CLAIM**

The ornamental design for a "percussive massage device," as shown and described.

DESCRIPTION

FIG. 1 is a front perspective view of a percussive massage device, showing our new design;
FIG. 2 is a rear perspective view thereof;
FIG. 3 is a left side view thereof;
FIG. 4 is a right side view thereof;
FIG. 5 is a rear view thereof;
FIG. 6 is a front view thereof;
FIG. 7 is a bottom plan view thereof; and,
FIG. 8 is a top plan view thereof.
The broken lines in the drawings are for the purpose of illustrating portions of the percussive massage device, which form no part of the claimed design.

1 Claim, 4 Drawing Sheets



(56)

References Cited

U.S. PATENT DOCUMENTS

D842,491 S * 3/2019 Fleming D24/215
2016/0367425 A1 12/2016 Wersland

* cited by examiner

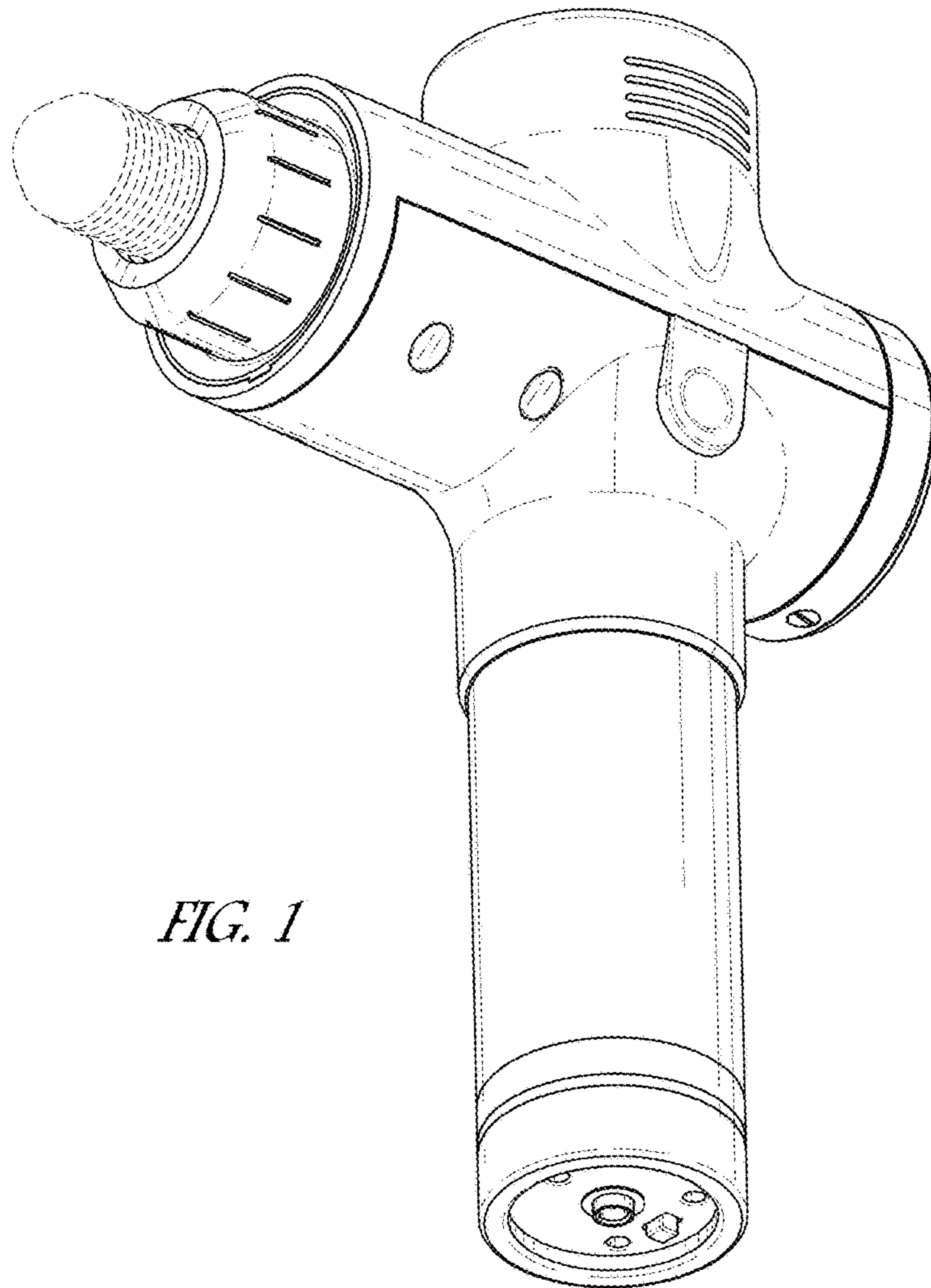


FIG. 1

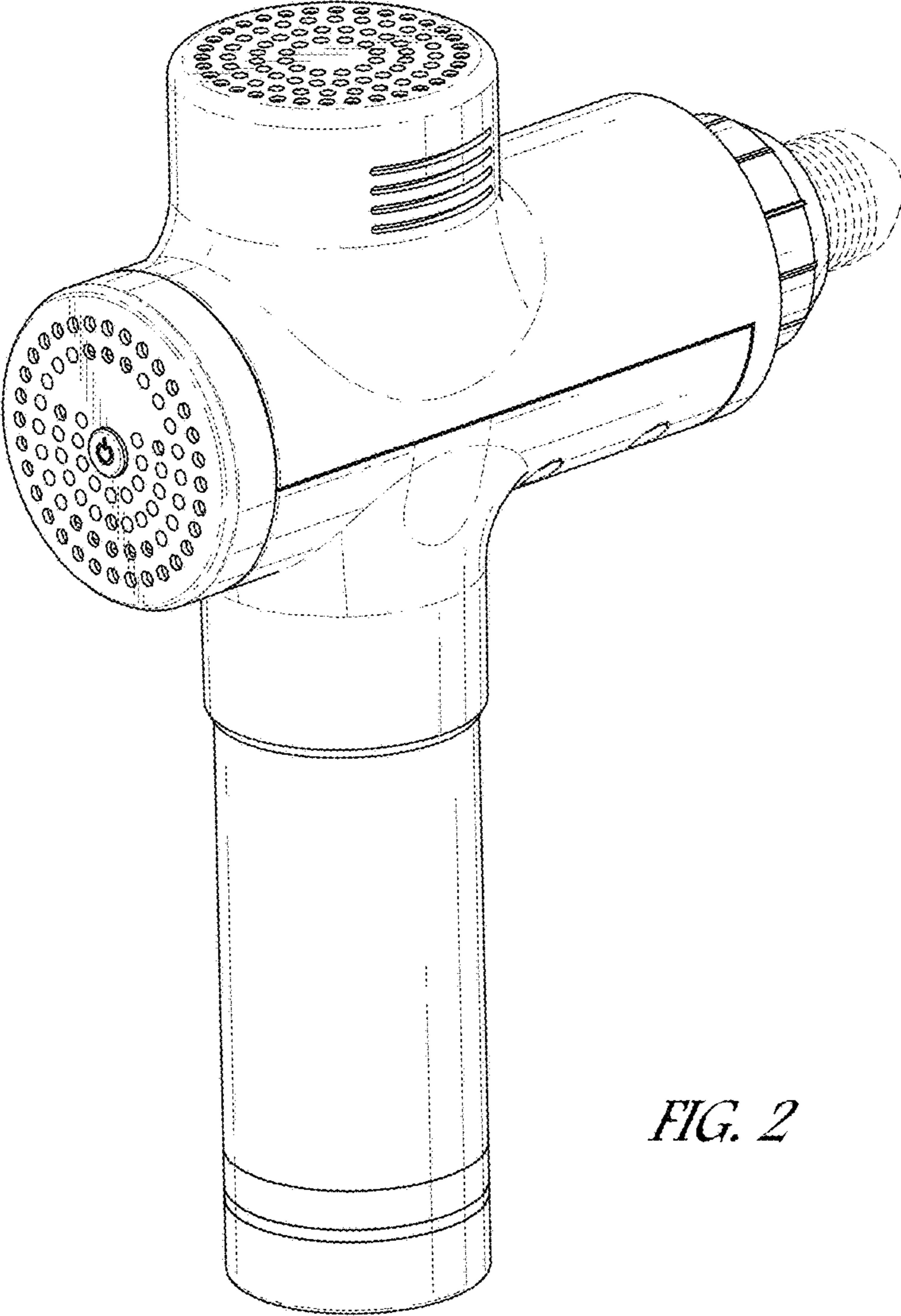


FIG. 2

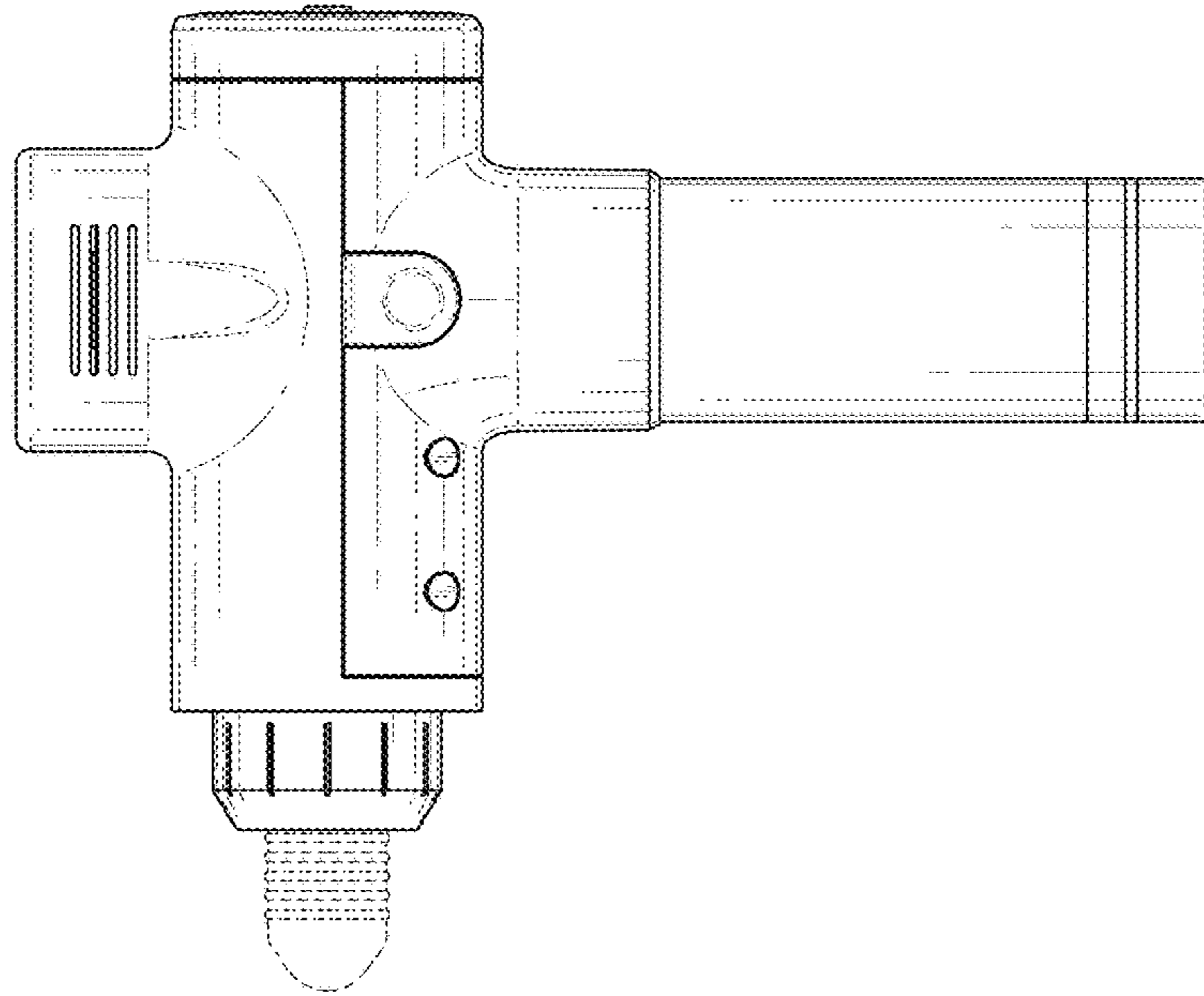


FIG. 4

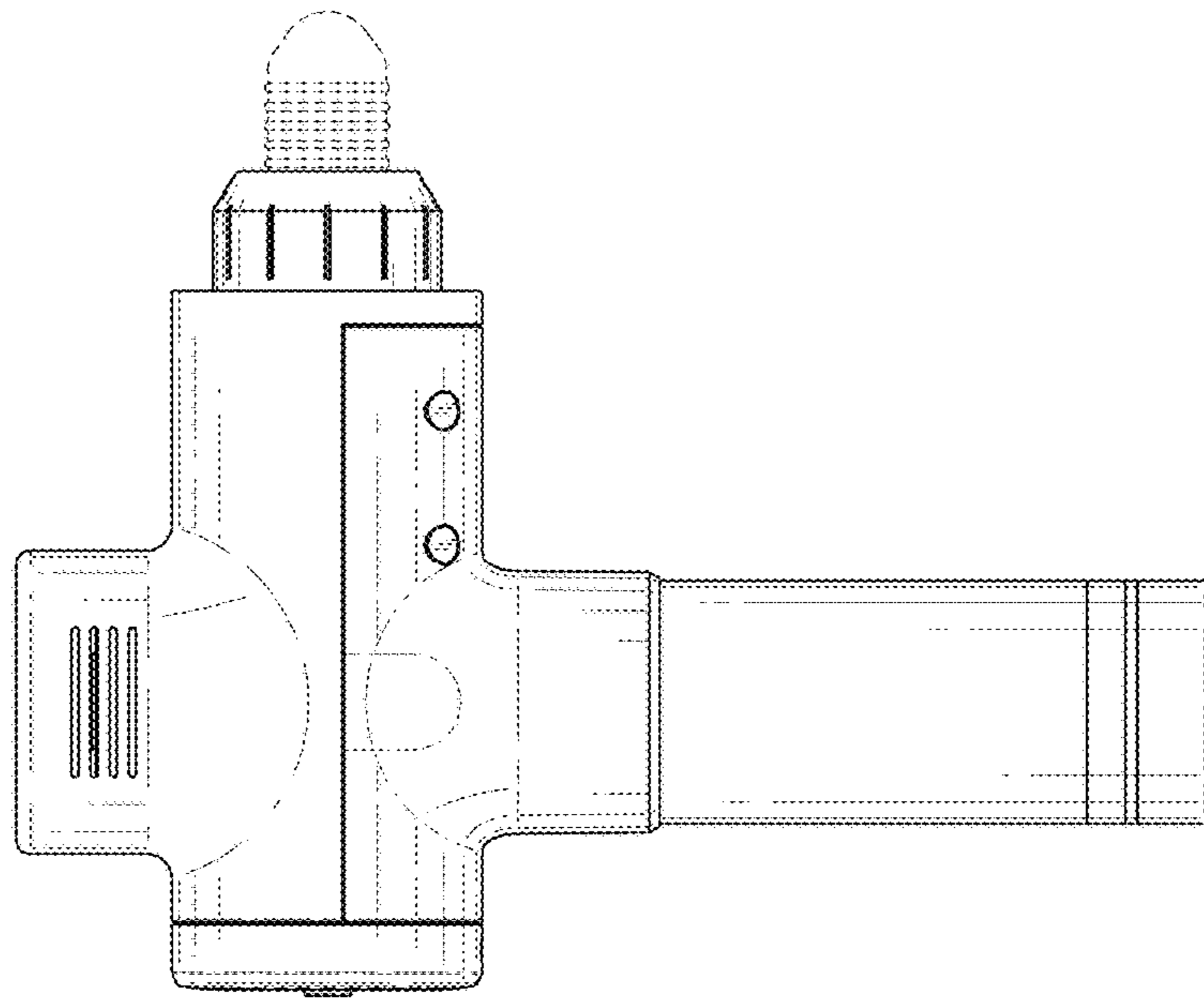


FIG. 3

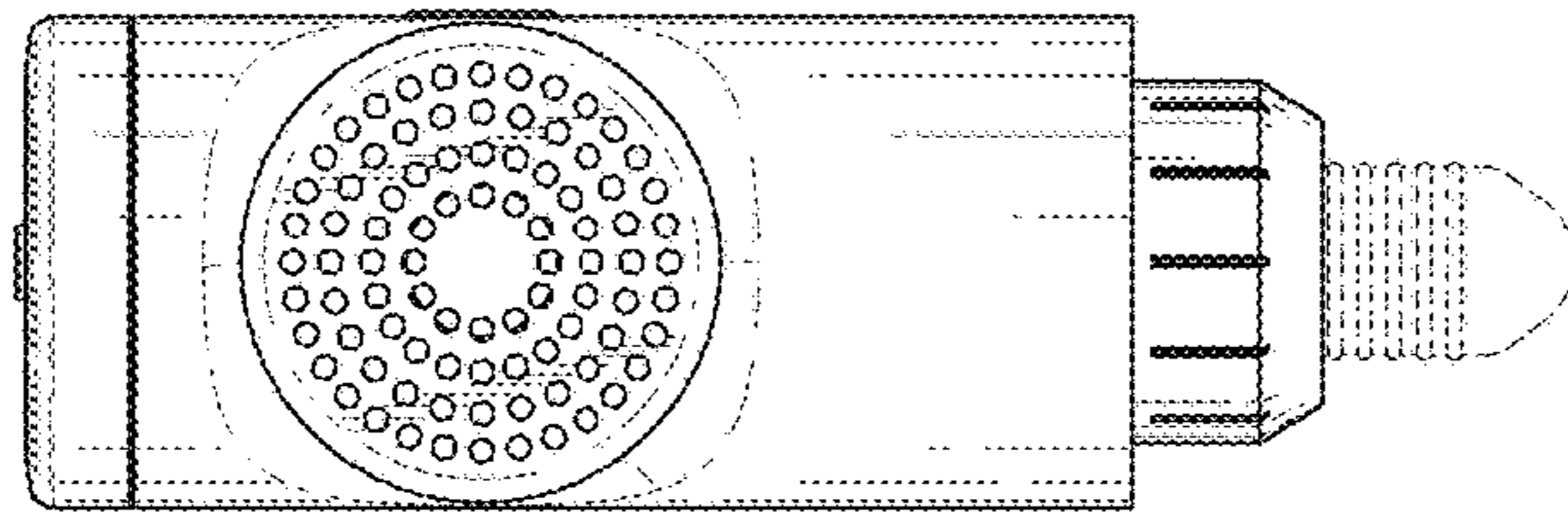


FIG. 8

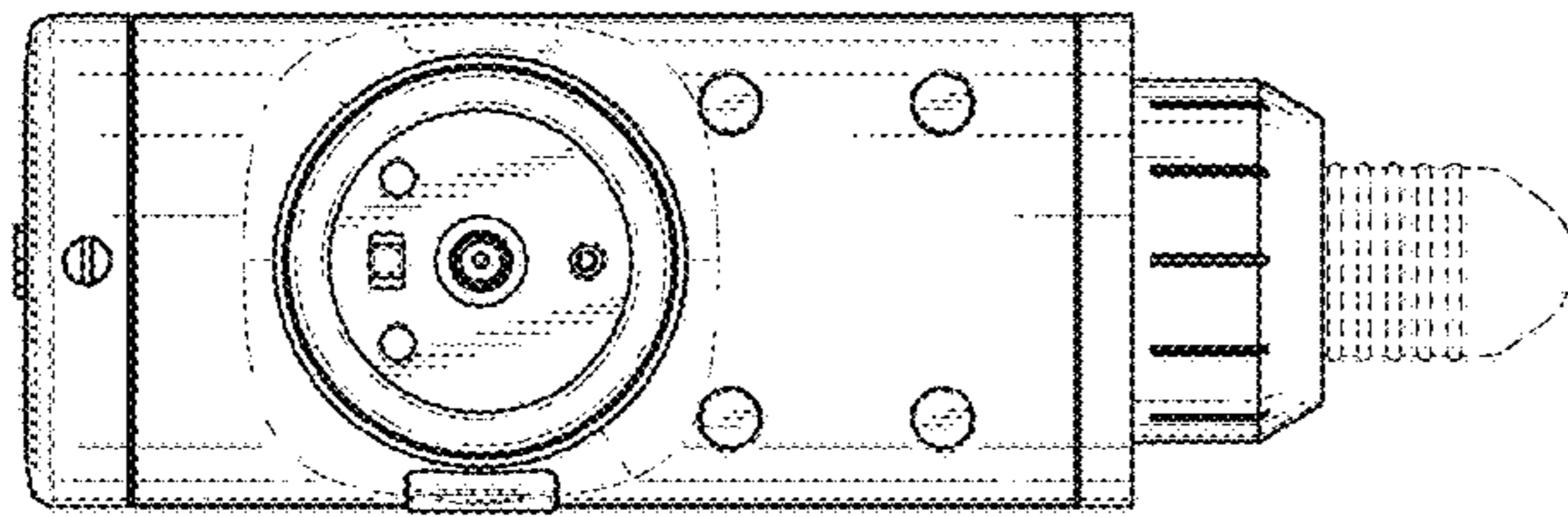


FIG. 7

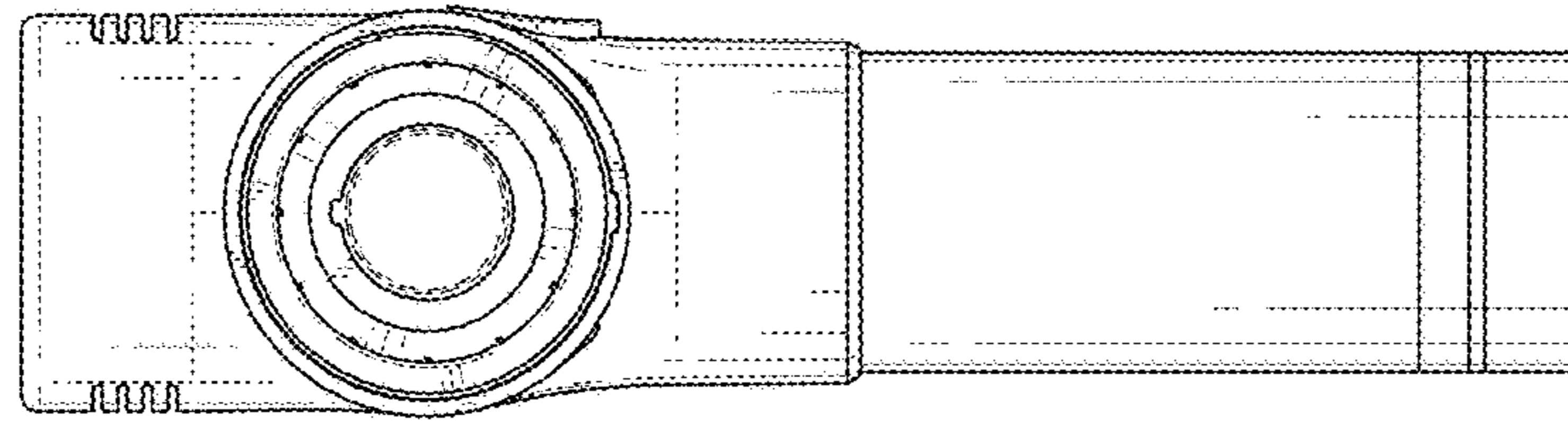


FIG. 6

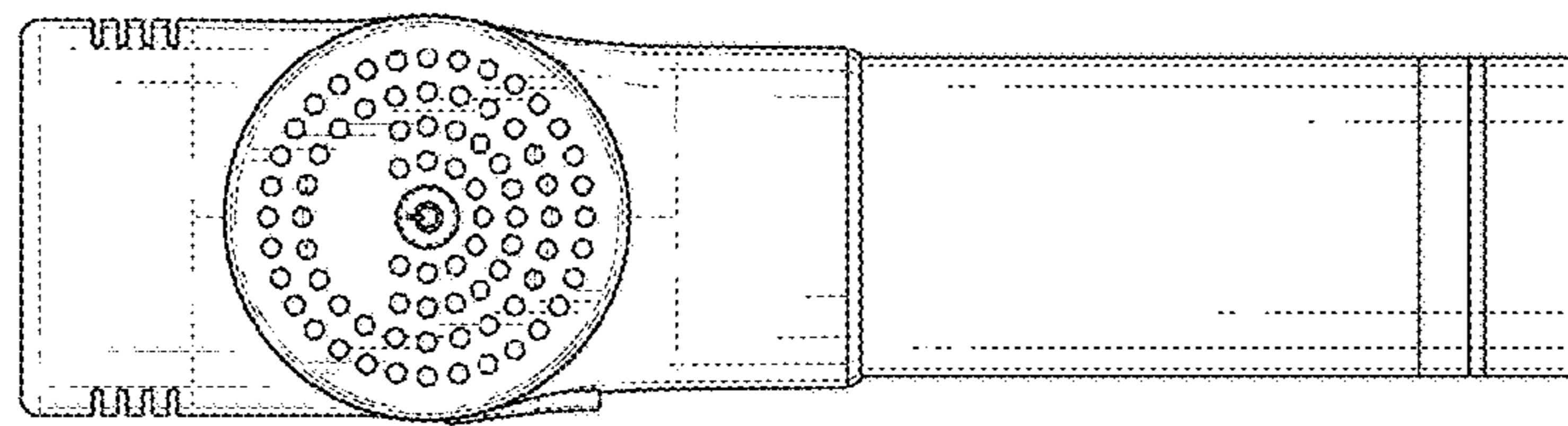


FIG. 5

UNITED STATES PATENT AND TRADEMARK OFFICE
CERTIFICATE OF CORRECTION

PATENT NO. : D855,822 S
APPLICATION NO. : 29/637855
DATED : August 6, 2019
INVENTOR(S) : Robert Marton et al.

Page 1 of 1

It is certified that error appears in the above-identified patent and that said Letters Patent is hereby corrected as shown below:

On the Title Page

Item (72) Inventors is corrected to read:
Robert Marton, Yorba Linda, CA (US);
Anthony Katz, Laguna Niguel, CA (US);
Pascal Olivier Ruelle, Antibes (FR)

Signed and Sealed this
Second Day of February, 2021



Drew Hirshfeld
*Performing the Functions and Duties of the
Under Secretary of Commerce for Intellectual Property and
Director of the United States Patent and Trademark Office*