



US00D855810S

(12) **United States Design Patent** (10) **Patent No.:** **US D855,810 S**
Lockenwitz (45) **Date of Patent:** **** Aug. 6, 2019**

(54) **HEARING AID ANTENNA**

H04R 25/652; H01L 33/48; H01L 23/02;
H01Q 7/00; H01Q 13/10

(71) Applicant: **OTICON MEDICAL A/S**, Smørum
(DK)

See application file for complete search history.

(72) Inventor: **Christian Lockenwitz**, København
(DK)

(56) **References Cited**

(73) Assignee: **OTICON MEDICAL A/S**, Smørum
(DK)

U.S. PATENT DOCUMENTS

(**) Term: **15 Years**

D304,944	S	*	12/1989	Behringer	D14/188
D363,935	S	*	11/1995	McGreevy	D14/230
D418,142	S	*	12/1999	Liimatainen	D14/230
D589,946	S	*	4/2009	Yamamoto	D14/230
D635,680	S	*	4/2011	Laperle	D24/174
D698,765	S	*	2/2014	Bremaud	D14/231
D807,863	S	*	1/2018	Ploetz	D14/230
D813,211	S	*	3/2018	Carpintero	D14/230
2016/0241973	A1	*	8/2016	Murray	H04R 31/00

(21) Appl. No.: **29/627,252**

* cited by examiner

(22) Filed: **Nov. 24, 2017**

(30) **Foreign Application Priority Data**

Primary Examiner — Anhdao Doan

May 24, 2017	(EM)	004016418-0001
May 24, 2017	(EM)	004016418-0002
May 24, 2017	(EM)	004016418-003
May 24, 2017	(EM)	004016418-004
May 24, 2017	(EM)	004016418-005
May 24, 2017	(EM)	004016418-006

(74) *Attorney, Agent, or Firm* — Birch, Stewart, Kolasch & Birch, LLP

(51) **LOC (12) Cl.** **24-99**

(57) **CLAIM**

(52) **U.S. Cl.**

The ornamental design for a hearing aid antenna, as shown and described.

USPC **D24/174**; D14/230

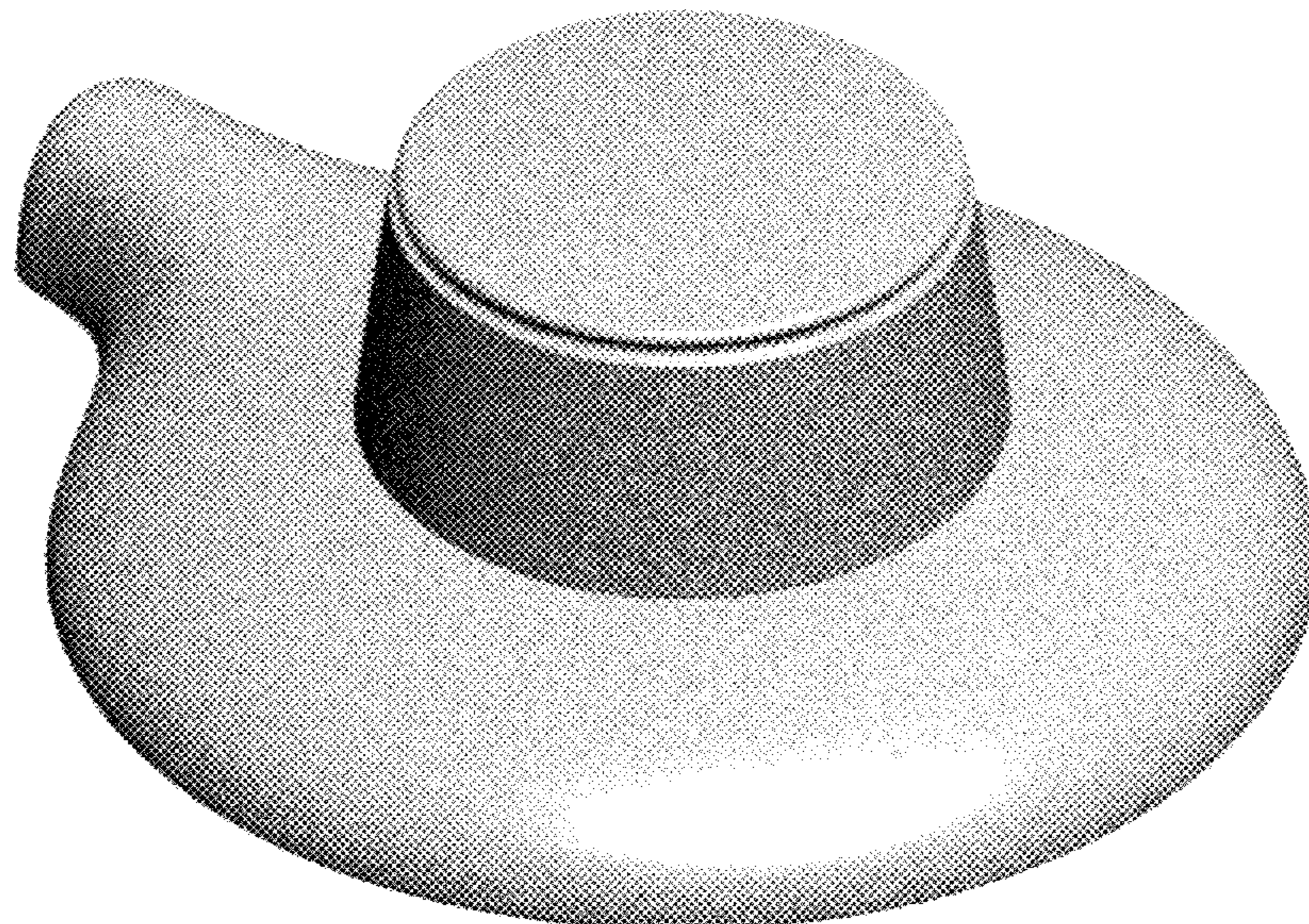
DESCRIPTION

(58) **Field of Classification Search**

USPC D24/173-175; D14/205, 223-226, 249, D14/230, 231, 236
CPC .. H04R 2225/025; H04R 25/60; H04R 25/63; H04R 25/67; H04R 25/602; H04R 25/604; H04R 25/608; H04R 25/65;

FIG. 1 is a perspective view of the hearing aid antenna; FIG. 2 is a left side view of the hearing aid antenna; FIG. 3 is a bottom view of the hearing aid antenna; FIG. 4 is a right side view of the hearing aid antenna; FIG. 5 is a rear view of the hearing aid antenna; FIG. 6 is a front view of the hearing aid antenna; and, FIG. 7 is a top view of the hearing aid antenna.

1 Claim, 7 Drawing Sheets



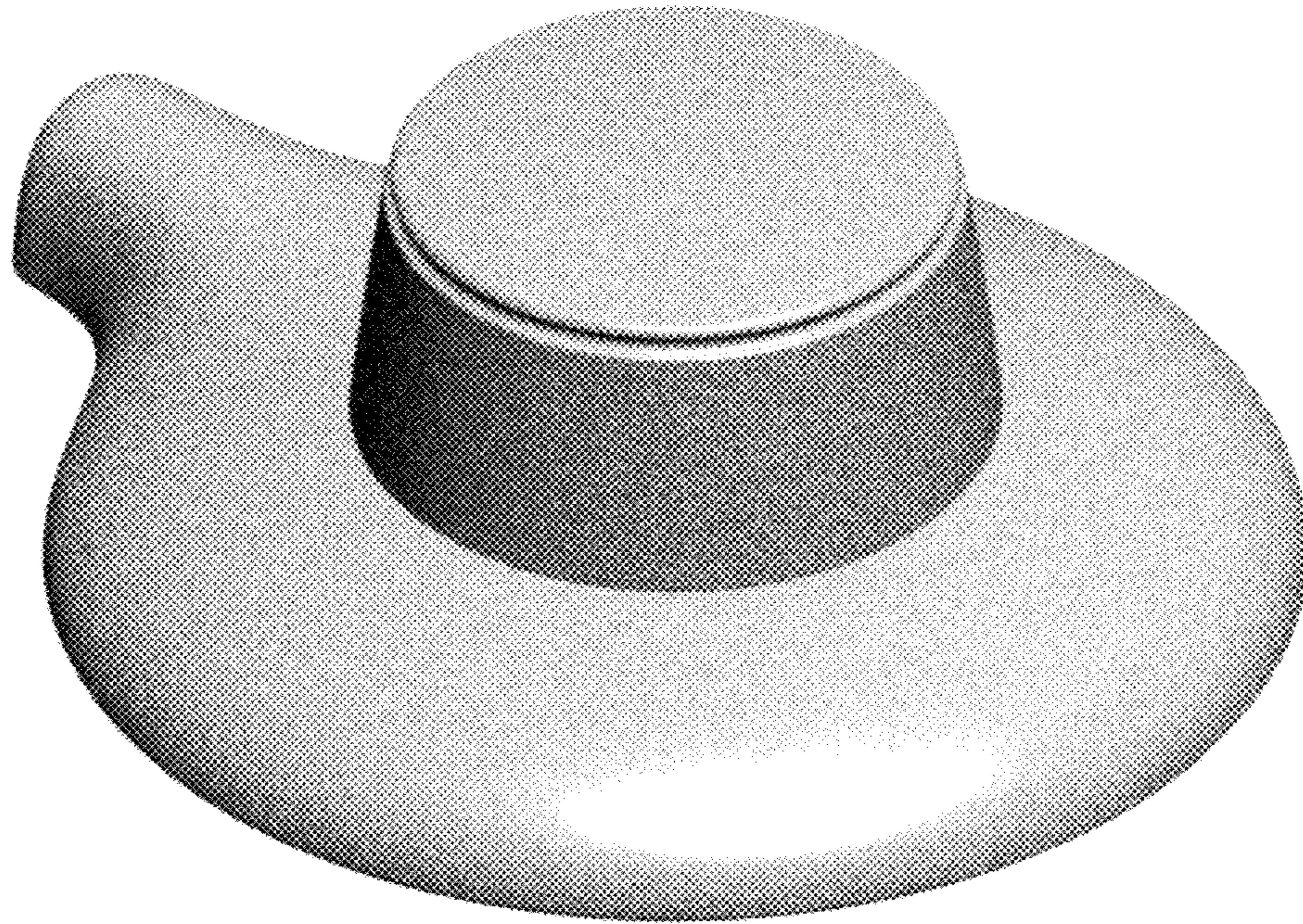


Fig. 1

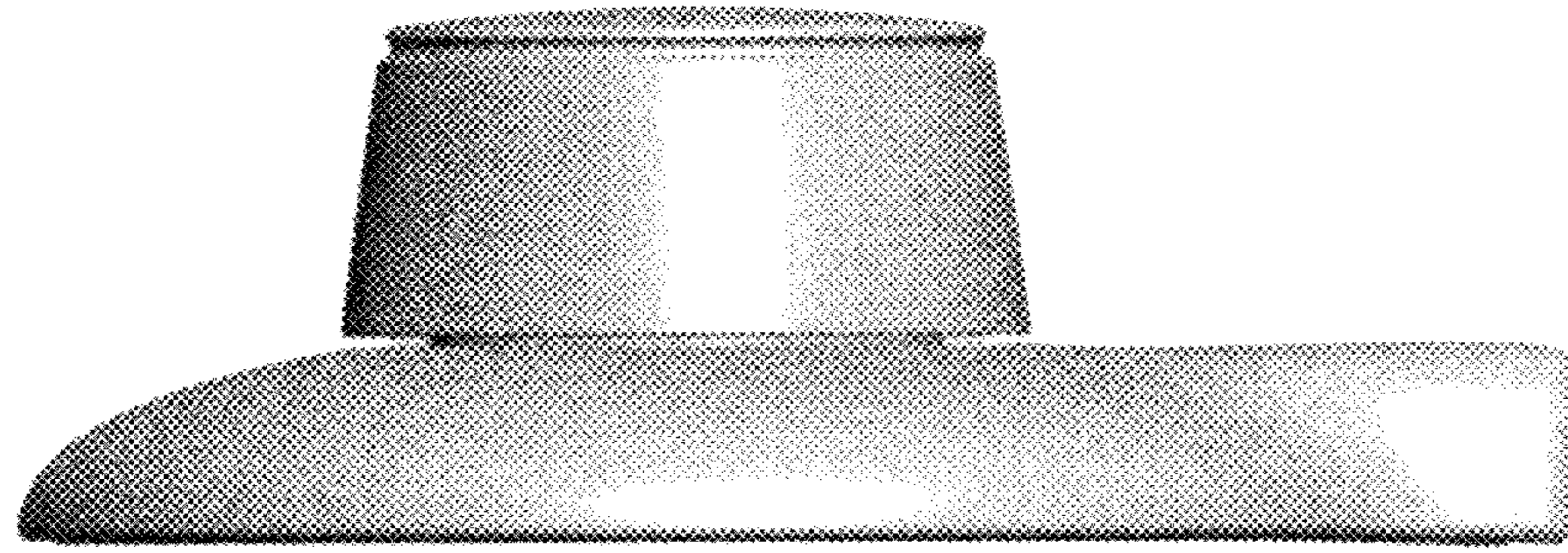


Fig. 2

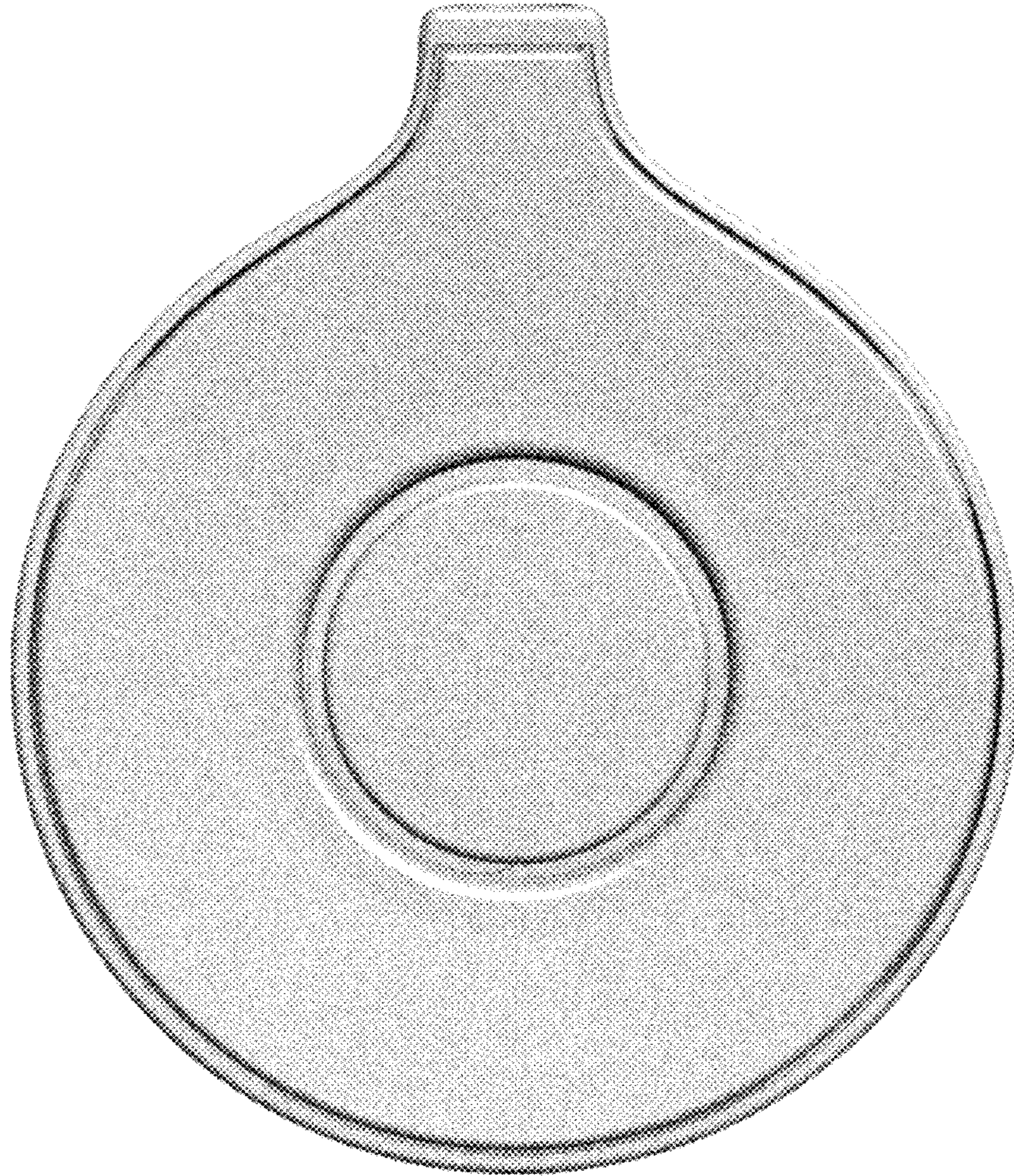


Fig. 3

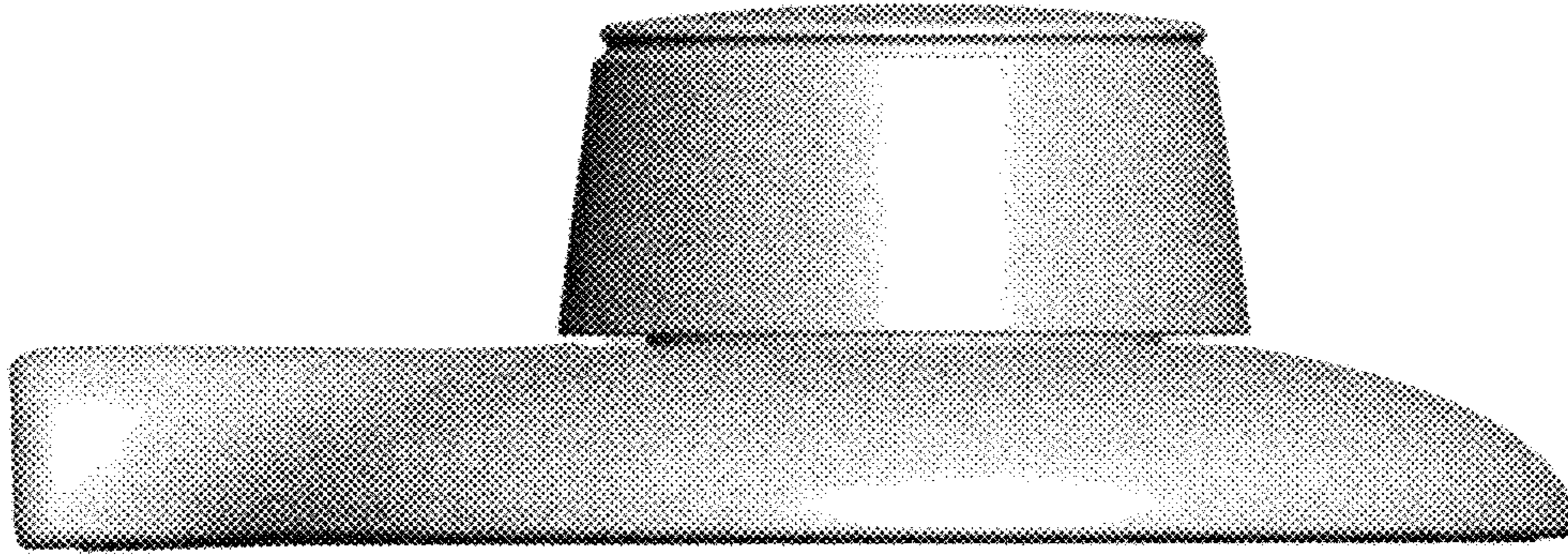


Fig. 4

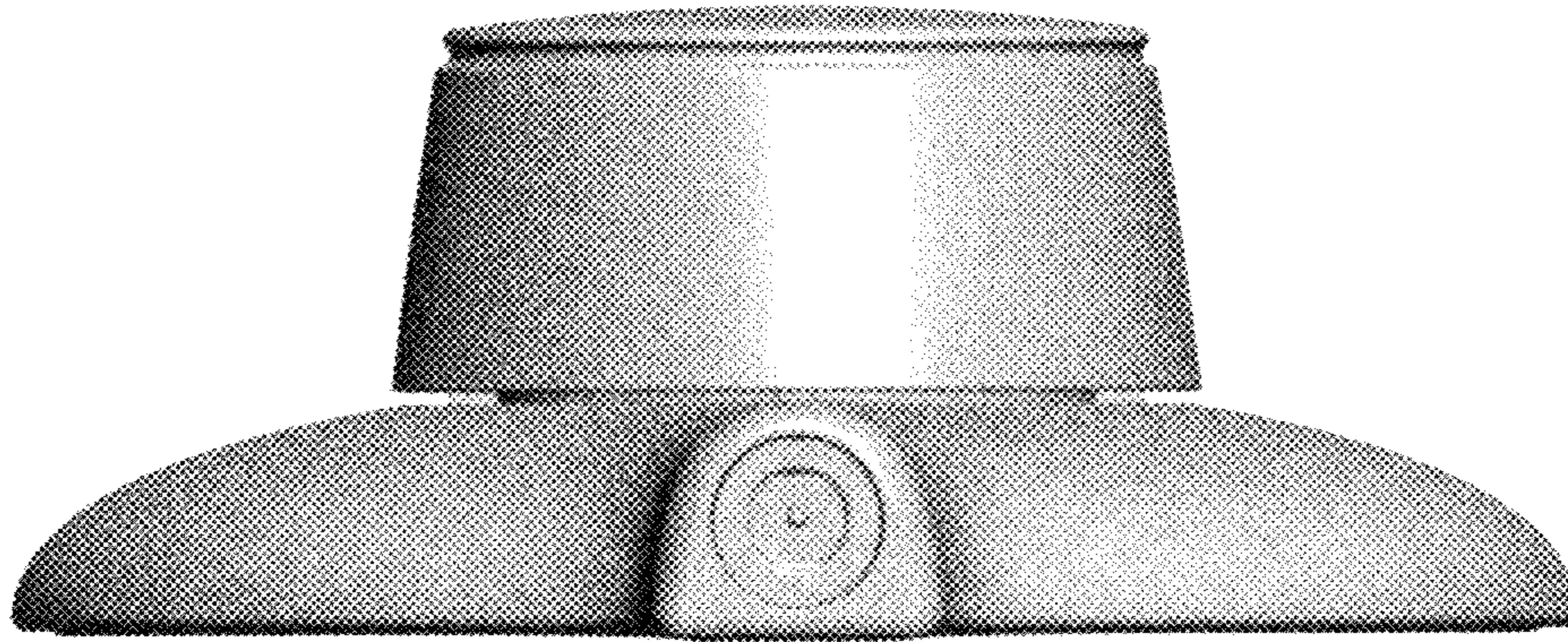


Fig. 5

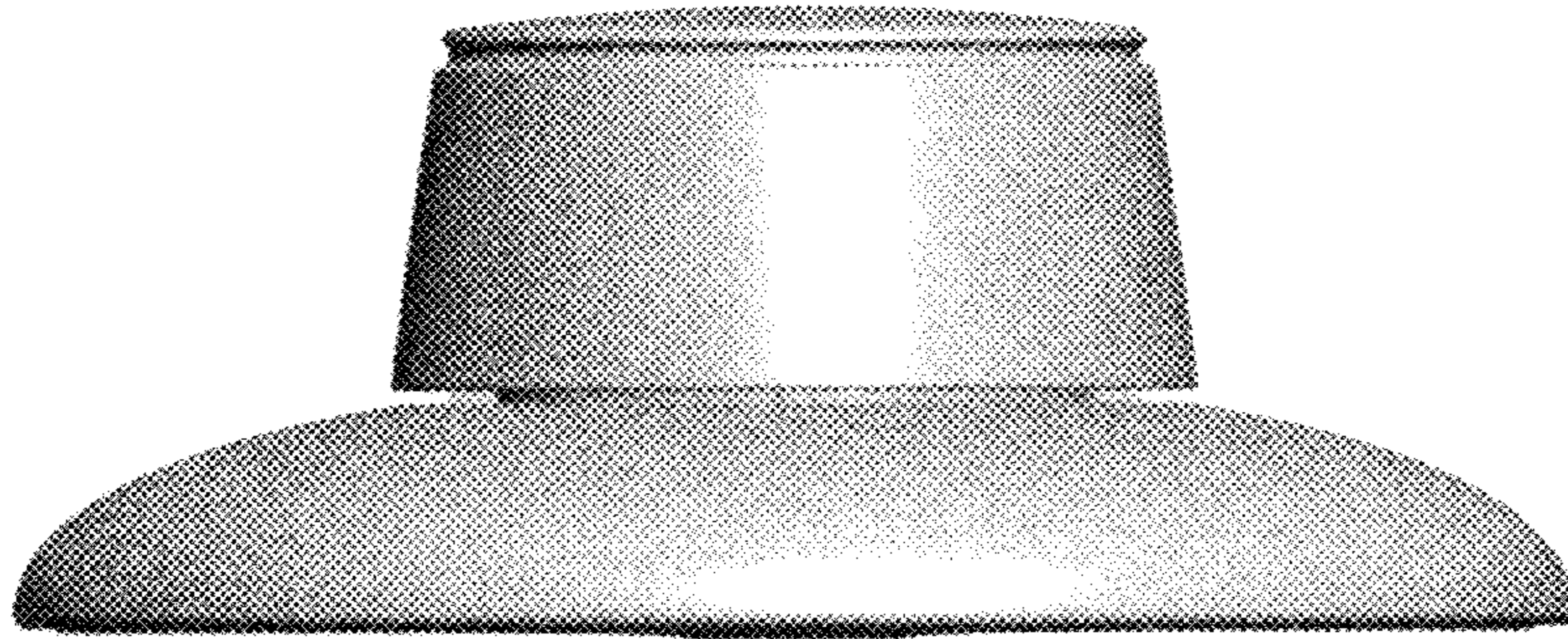


Fig. 6



Fig. 7