



US00D855809S

(12) **United States Design Patent** (10) **Patent No.:** **US D855,809 S**
Dobie et al. (45) **Date of Patent:** **** Aug. 6, 2019**

(54) **DEVICE FOR LOCATING AN ARTERY AND GAINING PERCUTANEOUS ACCESS THERETO**

(71) Applicant: **PPS U.K., LIMITED**, Glasgow (GB)

(72) Inventors: **Gordon Dobie**, Dumfries (GB); **Jae S Son**, Rolling Hills Estates, CA (US)

(73) Assignee: **PPS U.K. Limited**, Glasgow (GB)

(**) Term: **15 Years**

(21) Appl. No.: **35/502,371**

(22) Filed: **Aug. 3, 2016**

(80) **Hague Agreement Data**

Int. Filing Date: **Aug. 3, 2016**

Int. Reg. No.: **DM/092180**

Int. Reg. Date: **Aug. 3, 2016**

Int. Reg. Pub. Date: **Feb. 3, 2017**

(51) **LOC (12) Cl.** **24-02**

(52) **U.S. Cl.**
USPC **D24/169**

(58) **Field of Classification Search**

USPC D24/133, 137, 140, 146, 147, 187, 169,
D24/185, 186, 216, 234; D10/81, 104

CPC A61B 8/06
See application file for complete search history.

(56) **References Cited**

U.S. PATENT DOCUMENTS

D458,167 S * 6/2002 Slocum D10/78
D499,035 S * 11/2004 Cook D10/81

D640,373 S * 6/2011 Sobiech D24/133
D669,172 S * 10/2012 McGrail D24/137
D708,326 S * 7/2014 Wang D24/137
D719,651 S * 12/2014 Hoffmann D24/133
D736,918 S * 8/2015 Liu D24/137
D754,357 S * 4/2016 Lindekugel D24/187
D765,867 S * 9/2016 Pippel D24/187

* cited by examiner

Primary Examiner — Eliza Z Bennett-Hattan

(74) *Attorney, Agent, or Firm* — Boris Leschinsky

(57) **CLAIM**

The ornamental design for a device for locating an artery and gaining percutaneous access thereto, as shown and described.

DESCRIPTION

The patent or application file contains at least one drawing executed in color. Copies of this patent or patent application publication with color drawing(s) will be provided by the Office upon request and payment of the necessary fee.

1. Device for locating an artery

Device to assist in locating an artery and gaining percutaneous access thereto.

Fig. 1.1: Perspective view of the device

Fig. 1.2: Left side view of the device

Fig. 1.3: Front view of the device

Fig. 1.4: Perspective left view of the device

Fig. 1.5: Perspective top left view of the device

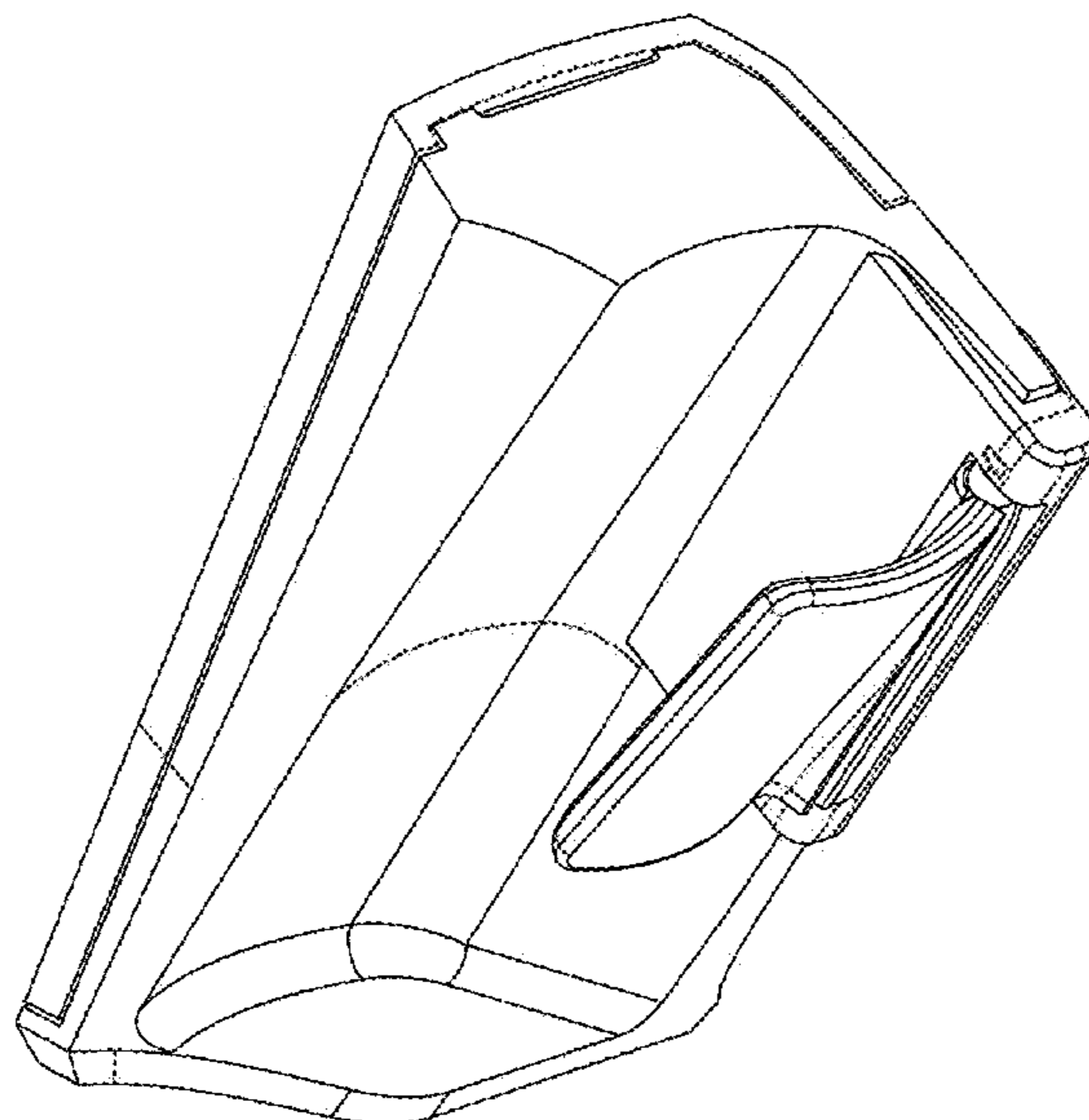
Fig. 1.6: Right side view of the device

Fig. 1.7: Perspective bottom view of the device

Fig. 1.8: Perspective right view of the device

Portions of the device shown in color form no part of the claimed design.

1 Claim, 8 Drawing Sheets
(8 of 8 Drawing Sheet(s) Filed in Color)



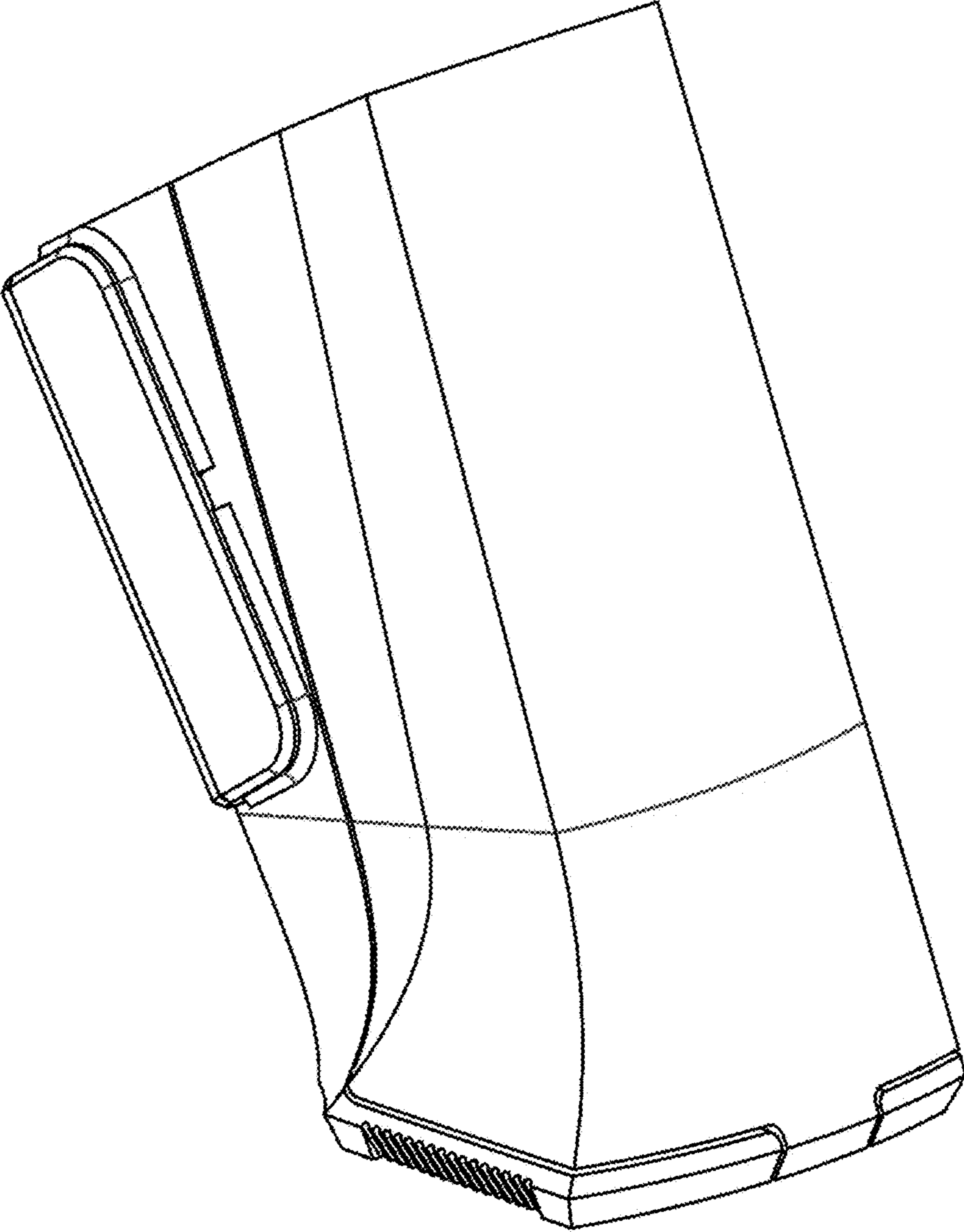


Fig 1.1

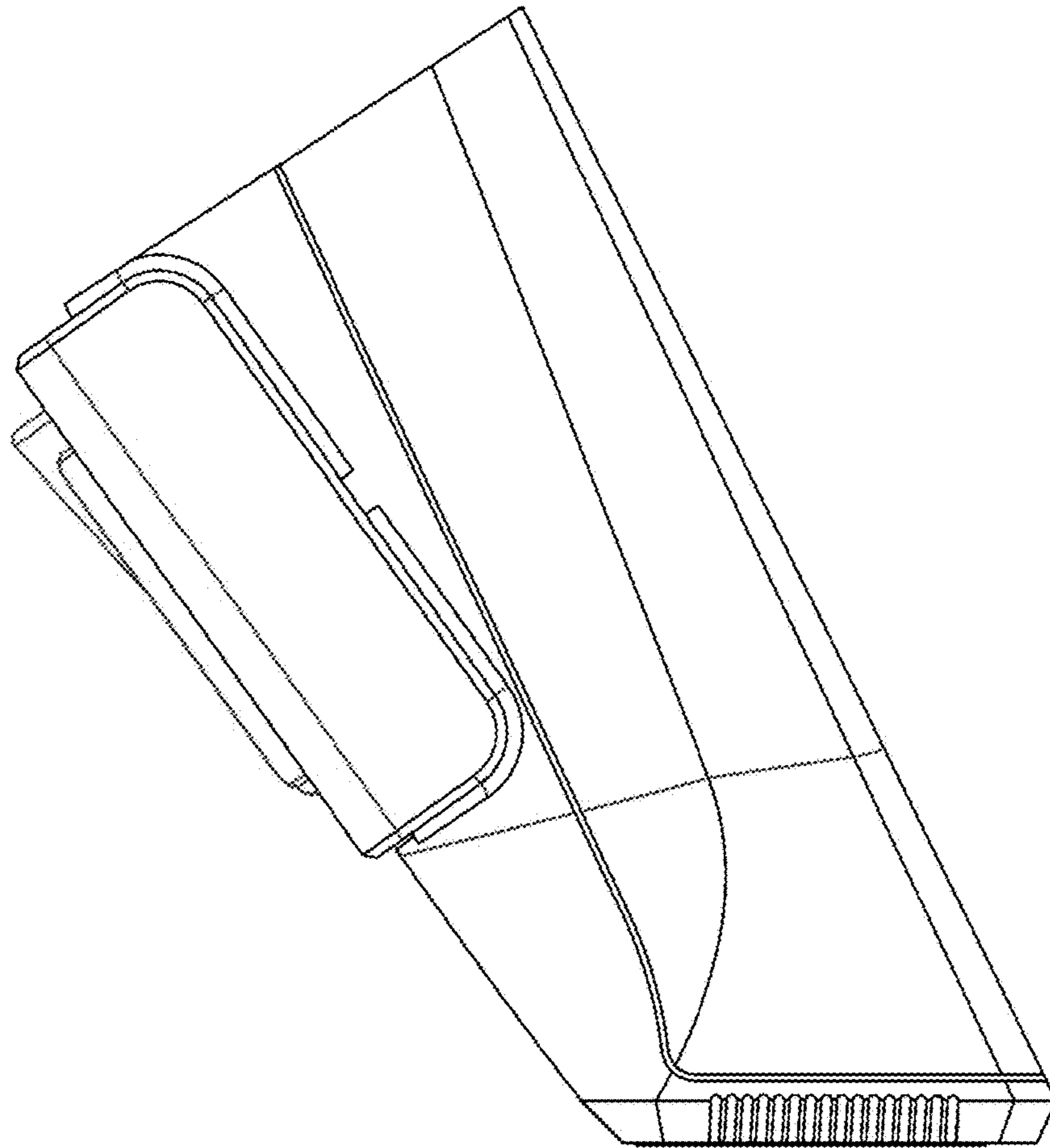


Fig 1.2

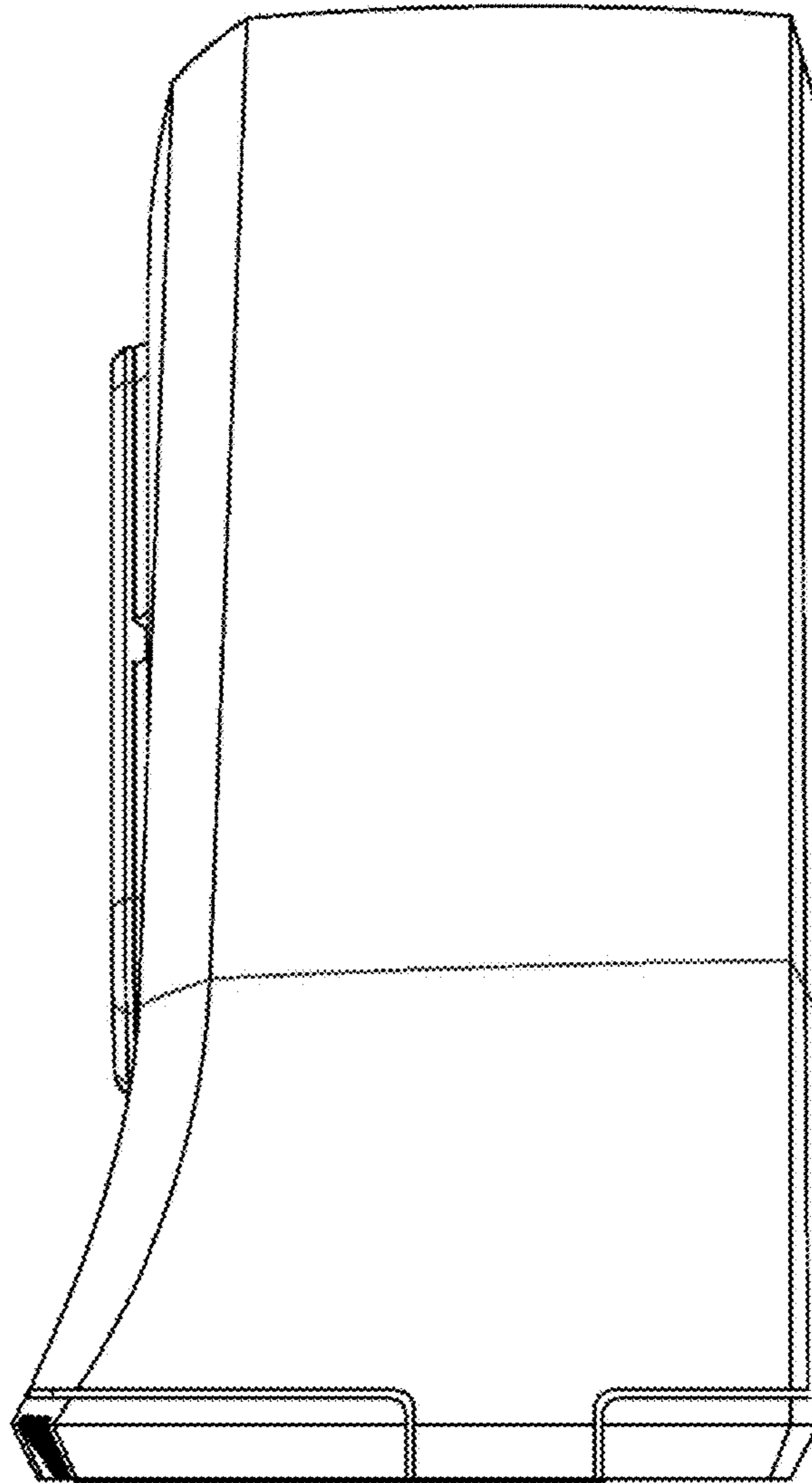


Fig 1.3

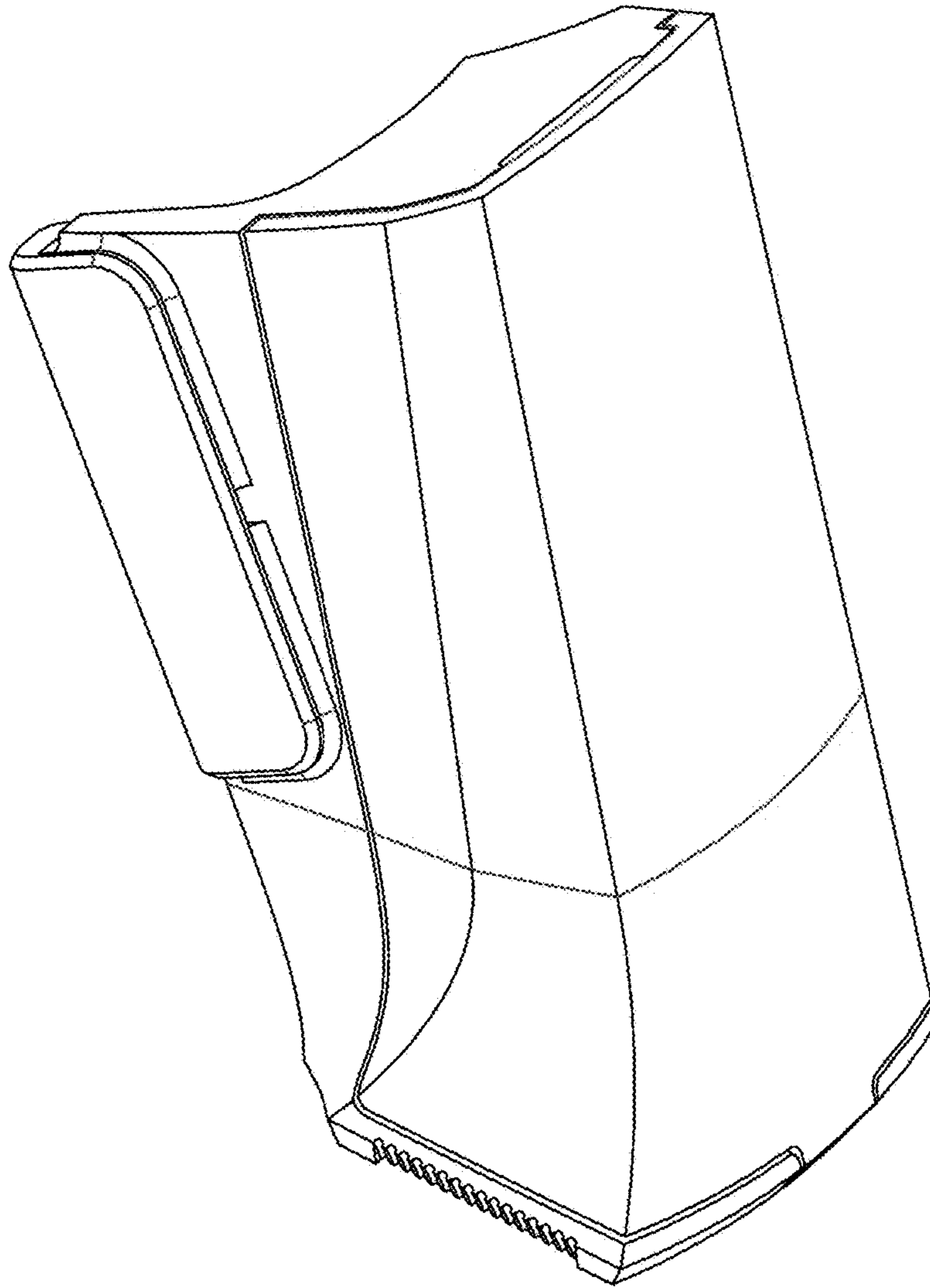


Fig 1.4

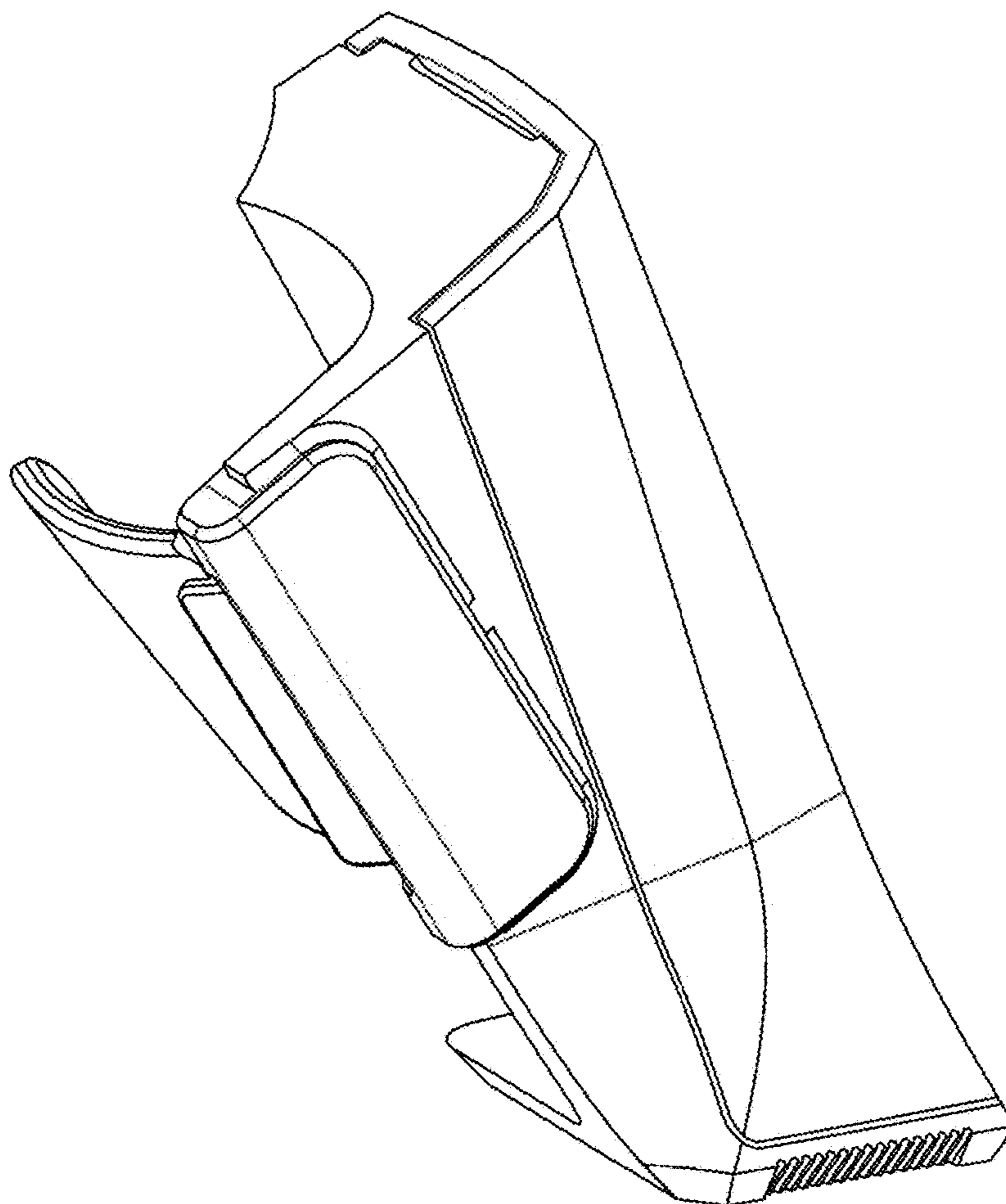


Fig 1.5

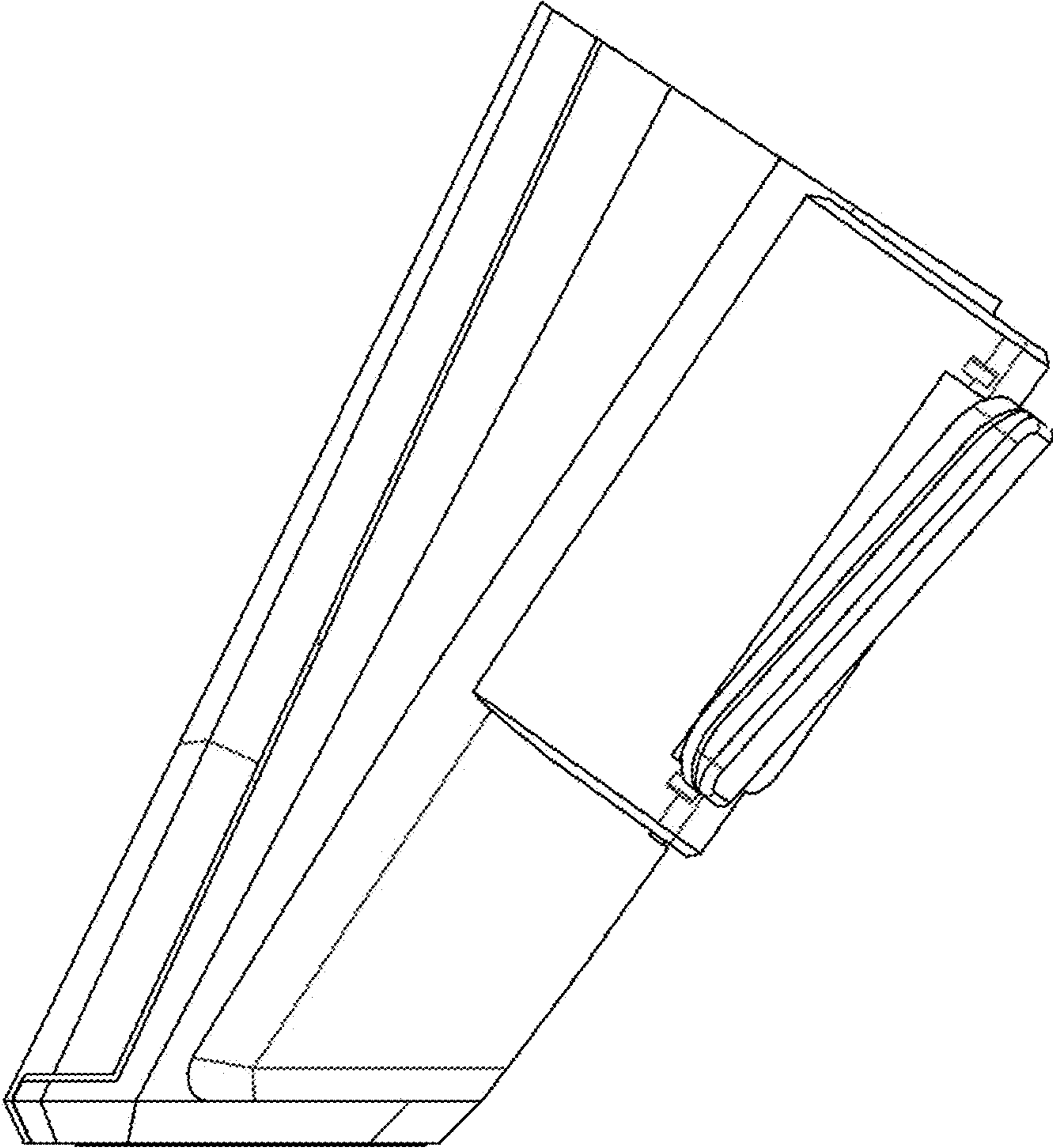


Fig 1.6

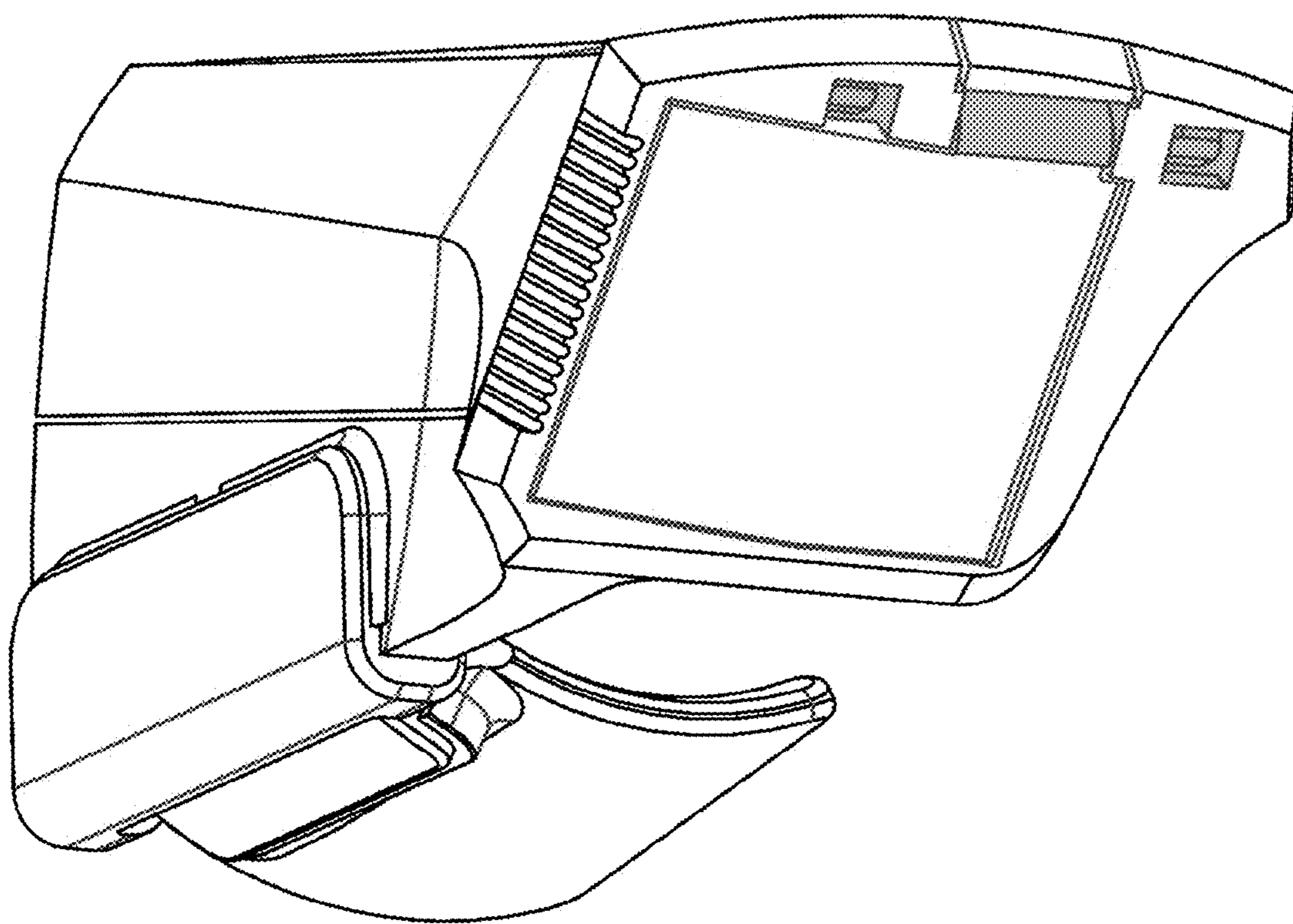


Fig 1.7

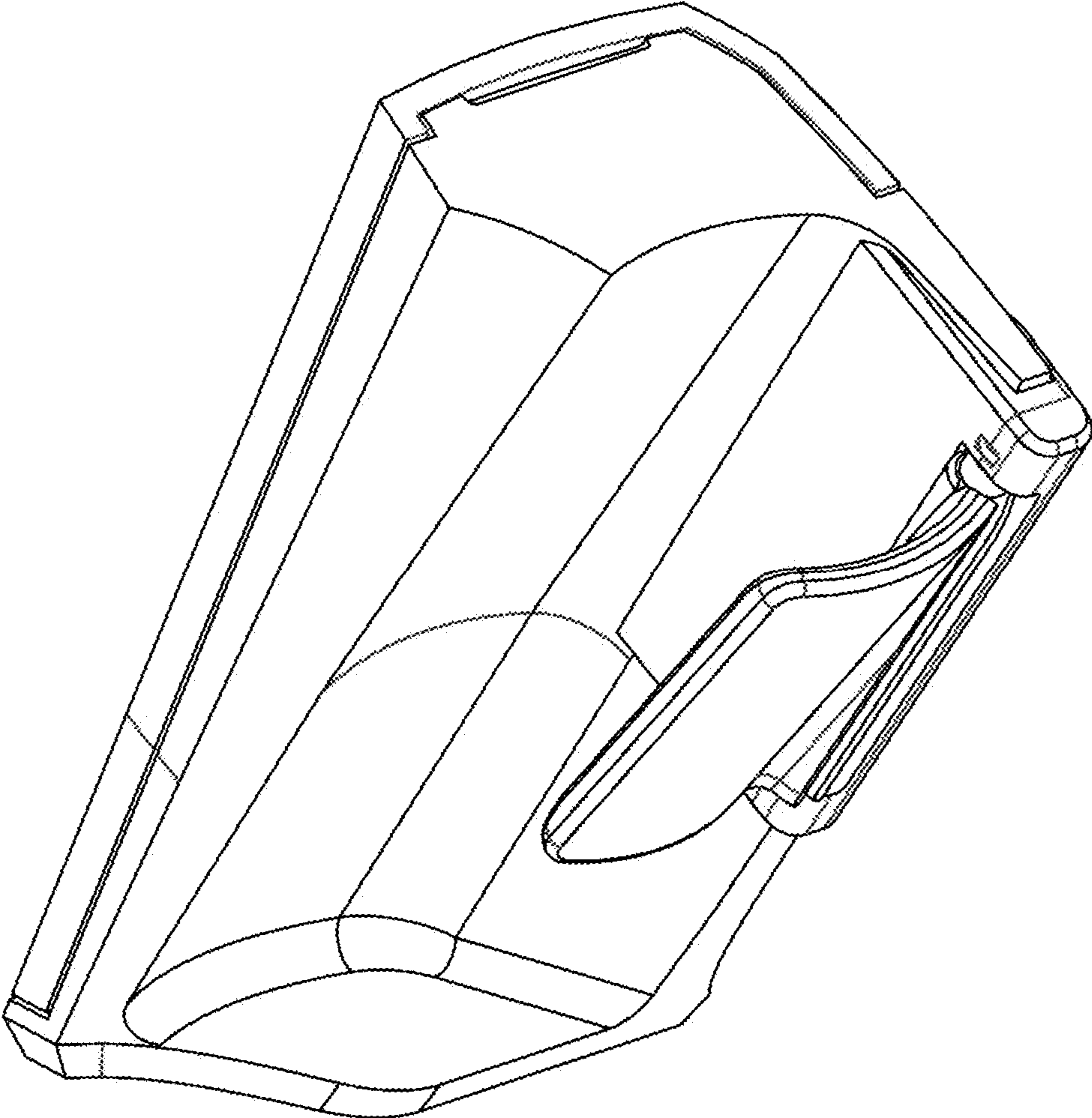


Fig 1.8