



US00D855808S

(12) **United States Design Patent** (10) **Patent No.:** **US D855,808 S**
Smith et al. (45) **Date of Patent:** **** Aug. 6, 2019**

- (54) **EAR CLIP**
- (71) Applicant: **Socrates Health Solutions, Inc.**,
Dallas, TX (US)
- (72) Inventors: **Scott J. Smith**, Dallas, TX (US);
Douglas F. Sutherland, Luxembourg
(LU); **Valentin Korman**, Huntsville,
AL (US); **Tyde Meadows**, Hartselle,
AL (US)
- (73) Assignee: **Socrates Health Solutions, Inc.**,
Dallas, TX (US)
- (**) Term: **15 Years**
- (21) Appl. No.: **29/635,205**
- (22) Filed: **Jan. 29, 2018**
- (51) **LOC (12) Cl.** **24-01**
- (52) **U.S. Cl.**
USPC **D24/169; D24/186**
- (58) **Field of Classification Search**
USPC D24/173–175, 167, 169, 186, 187, 200;
D14/205, 223–226, 249
CPC .. H04R 2225/025; H04R 25/60; H04R 25/63;
H04R 25/67; H04R 25/602; H04R
25/604; H04R 25/608; H04R 25/65;
H04R 25/652; A61B 5/14532; A61B
5/6815; A61B 5/6816; A61B 5/6817;
A61B 5/6838; A61B 5/6884
See application file for complete search history.

(56) **References Cited**

U.S. PATENT DOCUMENTS

- D578,222 S * 10/2008 Sakurai D24/187
- D599,329 S * 9/2009 Champkins D14/223

- D623,306 S * 9/2010 Boyer D24/106
- D636,879 S * 4/2011 Dubs D24/174
- D670,396 S * 11/2012 Doogan D24/200
- D717,443 S * 11/2014 Hughes D24/167
- D762,858 S * 8/2016 Iwabuchi D24/174
- D802,152 S * 11/2017 Wakefield D24/187
- D809,664 S * 2/2018 Ma D24/169
- 2007/0260131 A1 * 11/2007 Chin A61B 5/14552
600/323
- 2010/0217103 A1 * 8/2010 Abdul-Hafiz A61B 5/14552
600/322
- 2013/0218025 A1 * 8/2013 Tverskoy A61B 5/6843
600/476
- 2015/0351688 A1 * 12/2015 Just A61B 5/681
600/407

* cited by examiner

Primary Examiner — Anhdao Doan

(74) *Attorney, Agent, or Firm* — Foley & Lardner LLP

(57) **CLAIM**

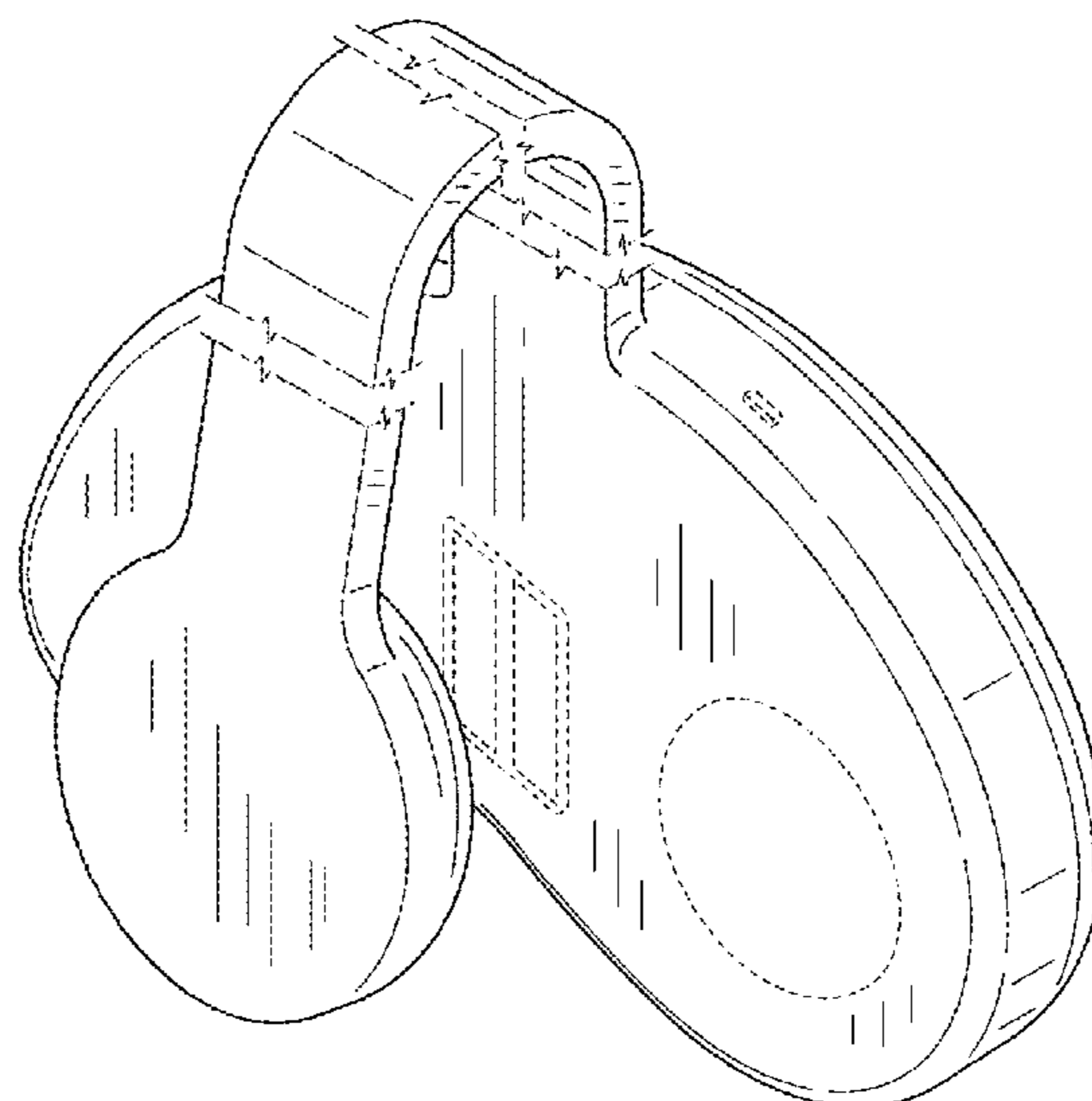
The ornamental design for an ear clip, as shown and described.

DESCRIPTION

FIG. 1 is a rear perspective view of an ear clip;
FIG. 2 is a rear elevation view of the ear clip;
FIG. 3 is a front elevation view of the ear clip;
FIG. 4 is left side elevation view of the ear clip
FIG. 5 is right side elevation view of the ear clip;
FIG. 6 is a top view of the ear clip; and,
FIG. 7 is a bottom view of the ear clip.

The broken lines represent portions of the ear clip that form no part of the claimed design. The strap is shown with symbolic breaks in its length; the appearance of any portion of the article between the break lines forms no part of the claimed design.

1 Claim, 7 Drawing Sheets



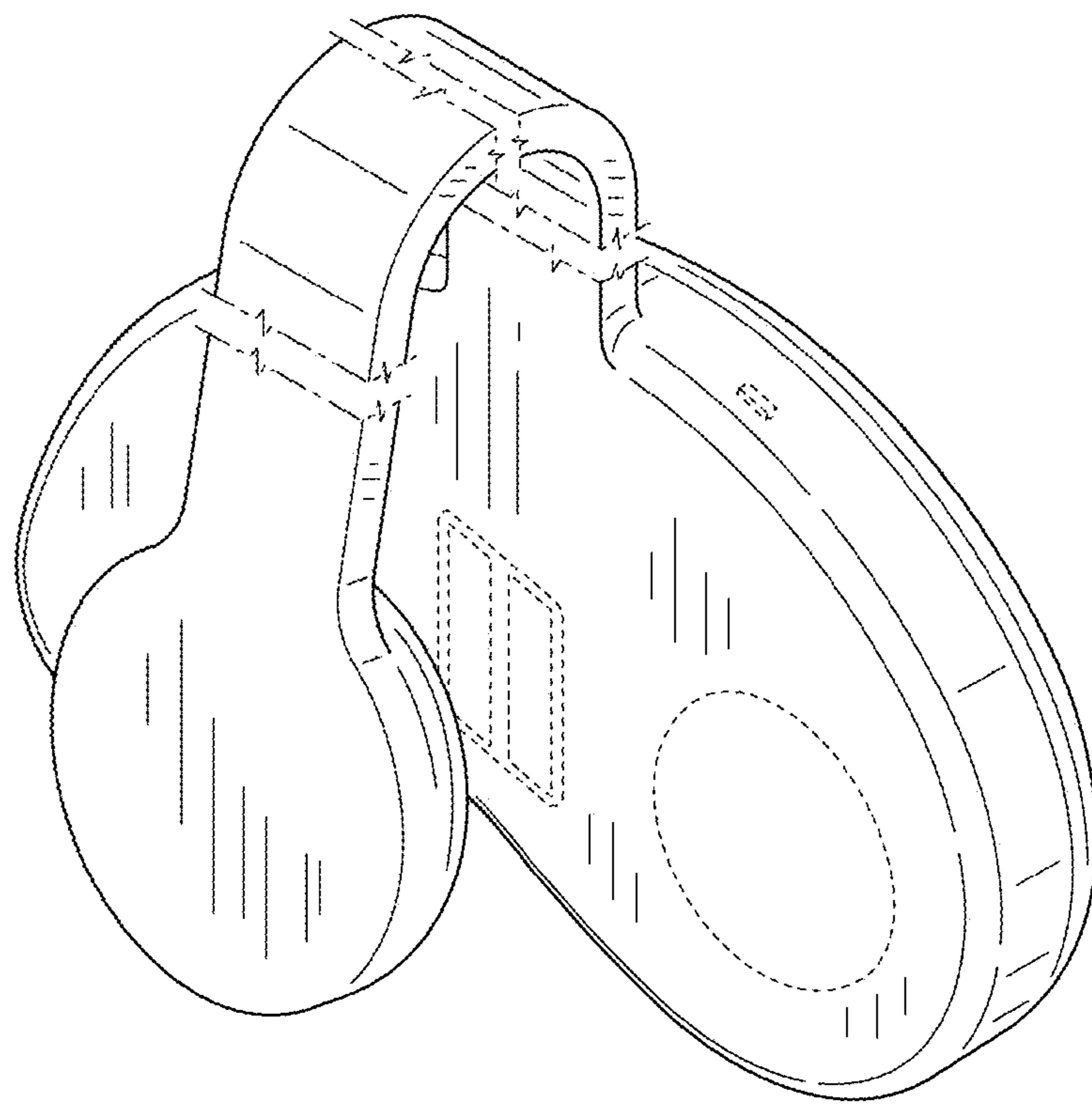


FIG.1

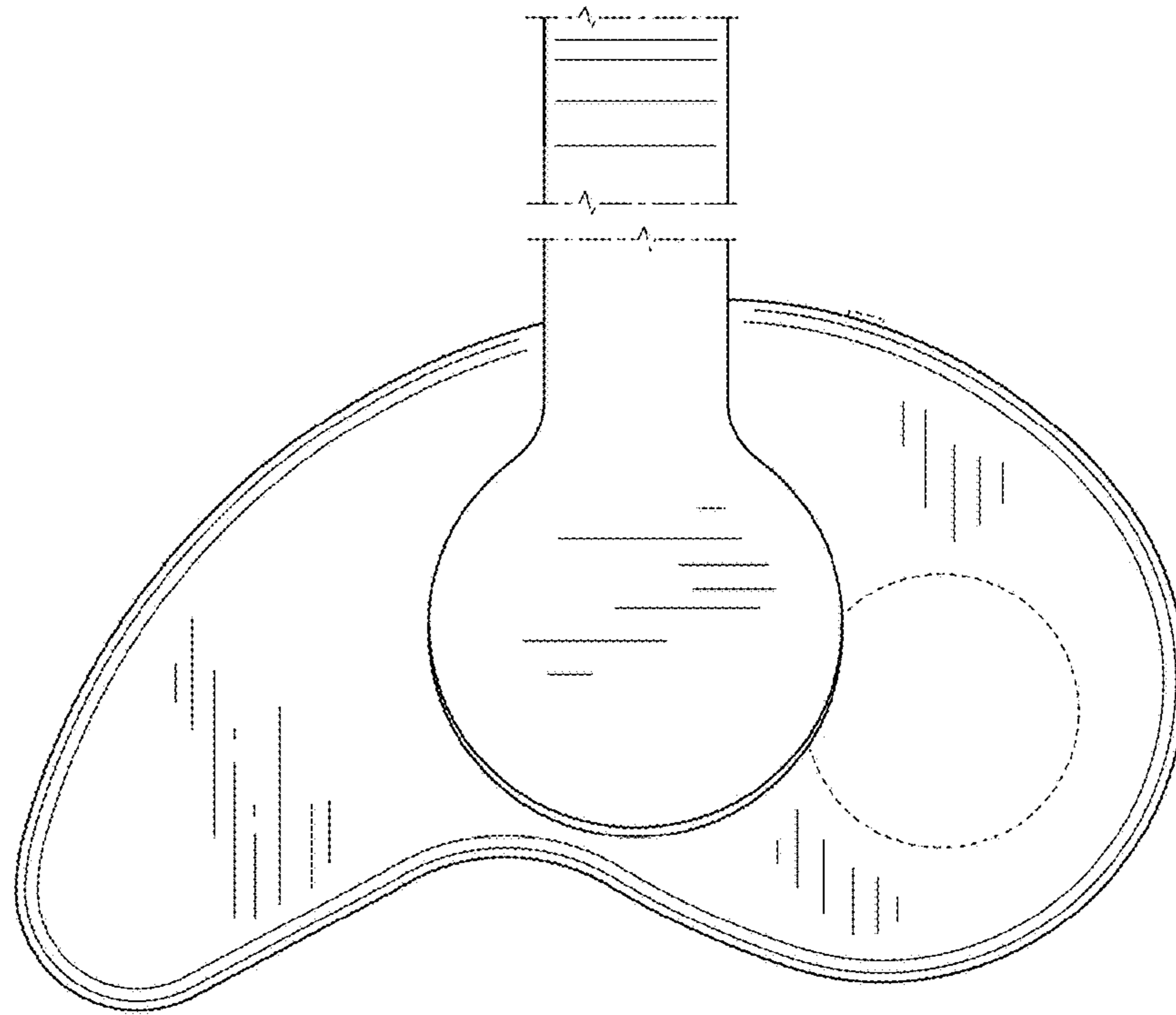


FIG.2

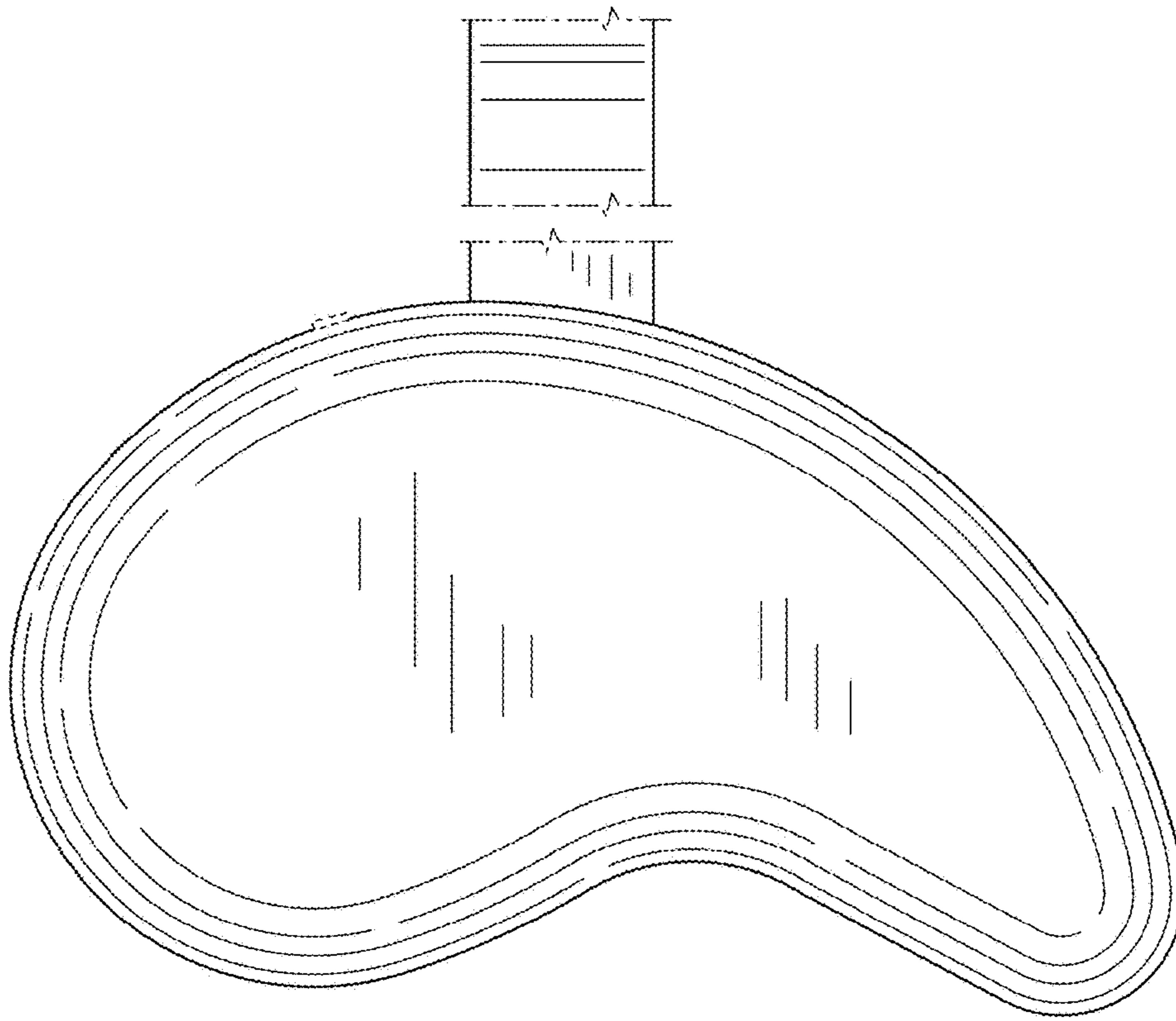


FIG.3

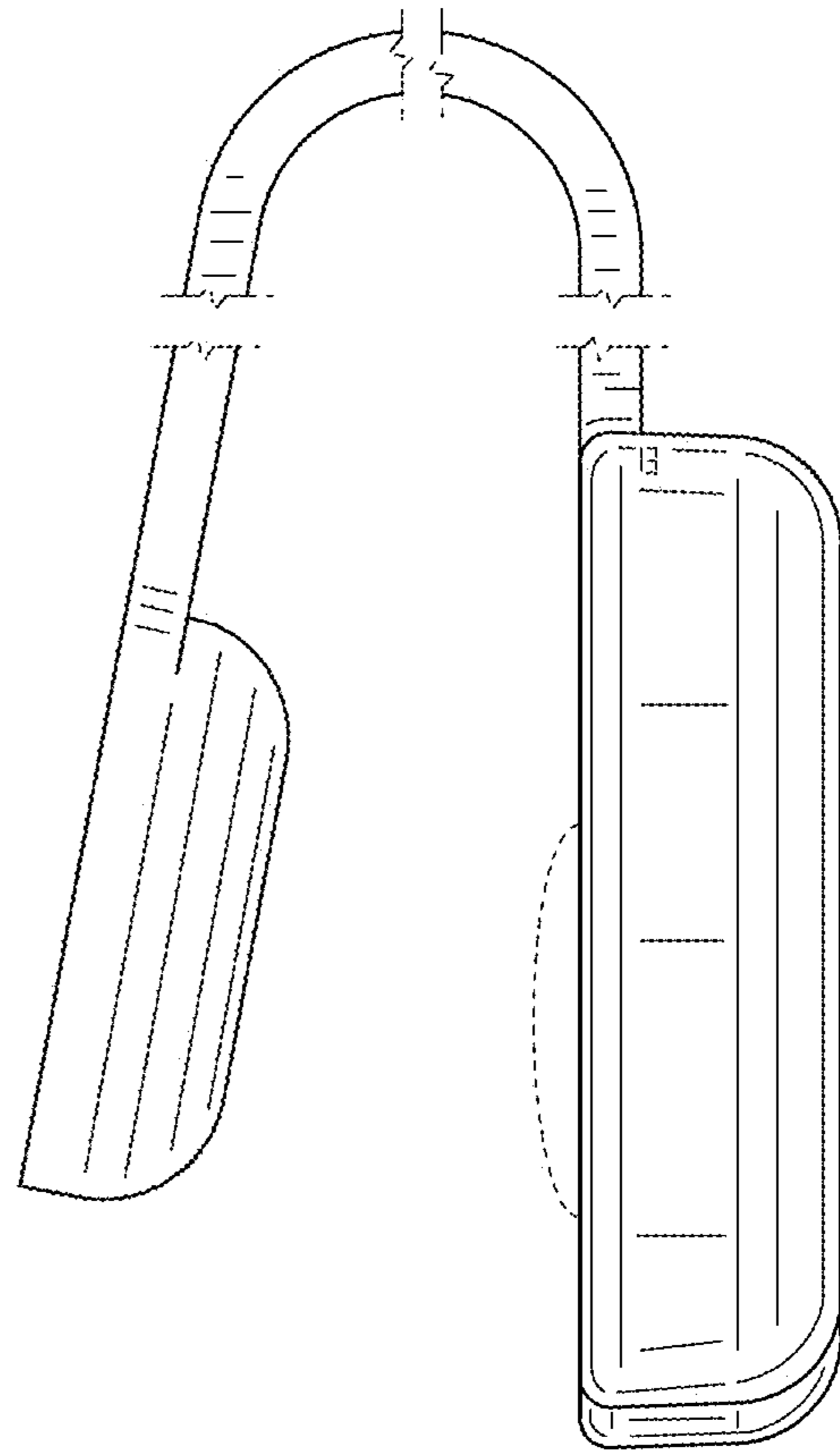


FIG.4

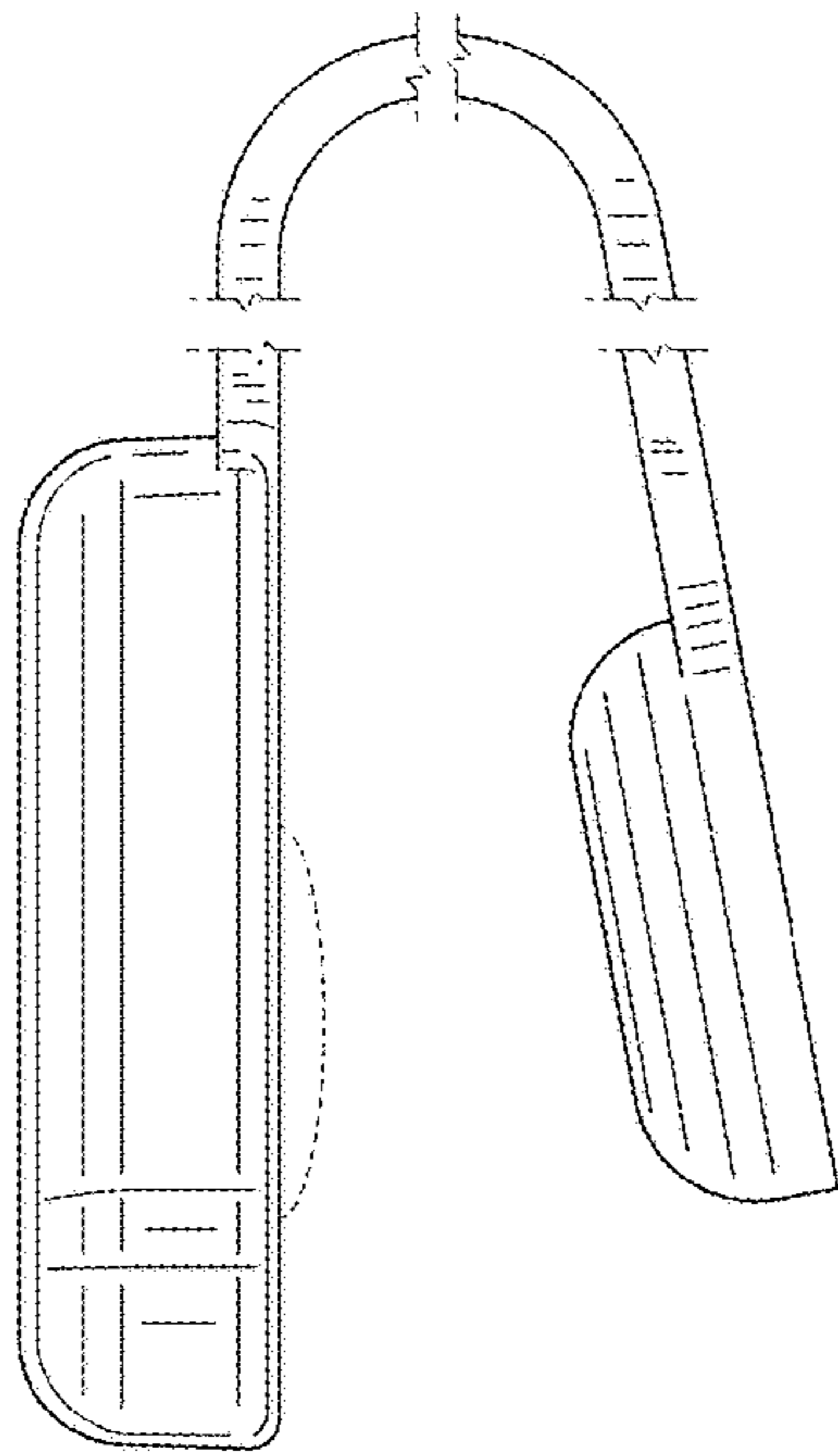


FIG.5

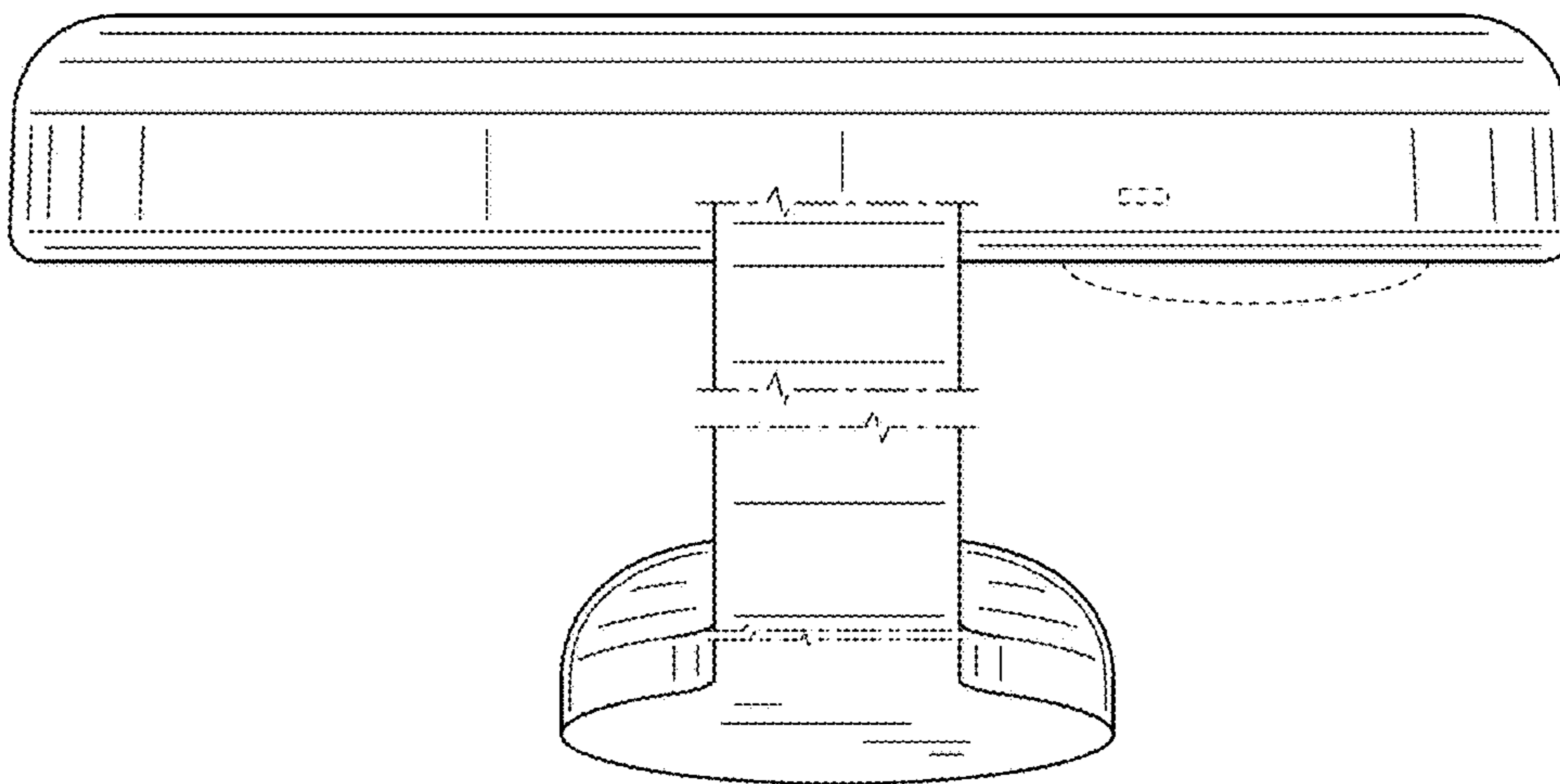


FIG.6

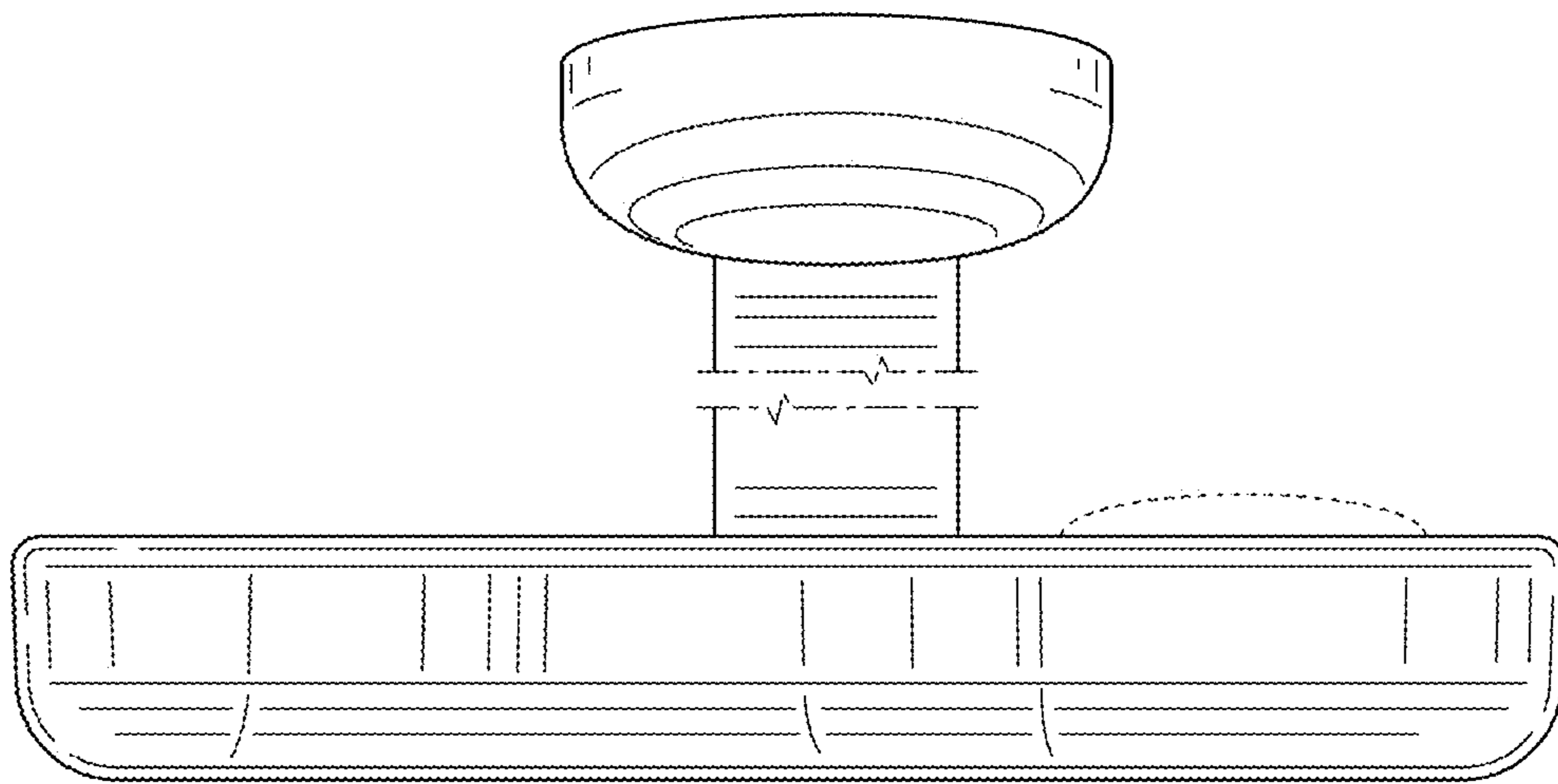


FIG.7