



US00D855806S

(12) **United States Design Patent**  
**DaCosta et al.**

(10) **Patent No.:** **US D855,806 S**

(45) **Date of Patent:** **\*\* Aug. 6, 2019**

(54) **HOOK PLATE**

(71) Applicant: **PARAGON 28, INC.**, Englewood, CO (US)

(72) Inventors: **Albert DaCosta**, Lone Tree, CO (US);  
**Thomas G. Harris**, Altadena, CA (US);  
**Patrick Yoon**, Minneapolis, MN (US);  
**Spanky Raymond**, Uniontown, OH (US);  
**Frank Barmes**, Littleton, CO (US)

(73) Assignee: **PARAGON 28, INC.**, Englewood, CO (US)

(\*\*) Term: **15 Years**

(21) Appl. No.: **29/596,468**

(22) Filed: **Mar. 8, 2017**

(51) **LOC (12) Cl.** ..... **24-02**

(52) **U.S. Cl.**  
USPC ..... **D24/155**

(58) **Field of Classification Search**  
USPC ... D8/16, 17, 18, 19, 33, 34, 39, 40, 43, 51,  
D8/354, 363, 364, 366, 367, 368, 370,  
(Continued)

(56) **References Cited**

**U.S. PATENT DOCUMENTS**

D28,153 S \* 1/1898 Woodward ..... D12/115  
1,863,743 A \* 6/1932 Burns ..... A22C 15/003  
248/340

(Continued)

**OTHER PUBLICATIONS**

Lateral Hook Plate, posted Dec. 12, 2016, [retrieved Nov. 26, 2018].  
Retrieved from Internet, <URL: <https://www.youtube.com/watch?v=h0cXGRbBpEc>>.\*

(Continued)

*Primary Examiner* — Barbara Fox

*Assistant Examiner* — Kristin E Reed

(74) *Attorney, Agent, or Firm* — Heslin Rothenberg  
Farley & Mesiti P.C.

(57) **CLAIM**

The ornamental design for a hook plate, as shown and described.

**DESCRIPTION**

FIG. 1 is a front perspective view of a hook plate comprising the new design;

FIG. 2 is a bottom perspective view of the design of FIG. 1;

FIG. 3 is a top view of the design of FIG. 1;

FIG. 4 is a bottom view of the design of FIG. 1;

FIG. 5 is a right side elevational view of the design of FIG. 1;

FIG. 6 is a left side elevational view of the design of FIG. 1;

FIG. 7 is a front elevational view of the design of FIG. 1; and

FIG. 8 is a back elevational view of the design of FIG. 1.

FIG. 9 is a front perspective view of an alternative embodiment of the hook plate of FIG. 1;

FIG. 10 is a bottom perspective view of the design of FIG. 9;

FIG. 11 is a top view of the design of FIG. 9;

FIG. 12 is a bottom view of the design of FIG. 9;

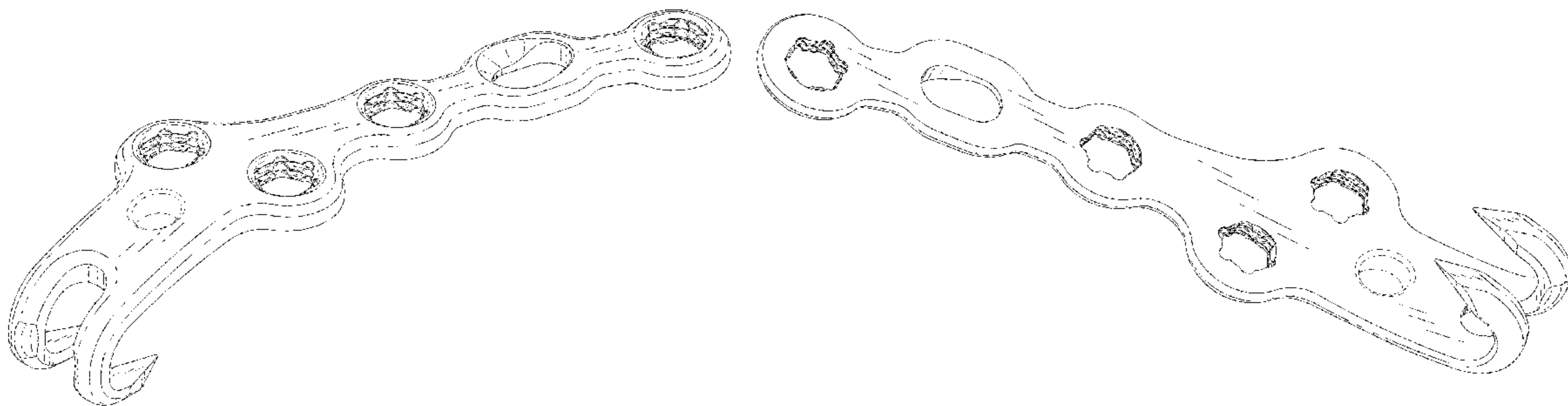
FIG. 13 is a right side elevational view of the design of FIG. 9;

FIG. 14 is a left side elevational view of the design of FIG. 9;

FIG. 15 is a front elevational view of the design of FIG. 9; and,

FIG. 16 is a back elevational view of the design of FIG. 9. The broken lines shown in the figures depict portions of the hook plate that form no part of the claimed design.

**1 Claim, 12 Drawing Sheets**



**(58) Field of Classification Search**

USPC ..... D8/371, 373, 380, 381; D6/323, 515, D6/518, 521, 523, 524, 537, 540, 545, D6/546, 549, 566; D25/38.1, 119, 122, D25/123; D2/602, 605, 606, 627, 643; D3/207, 215; D11/7, 40, 43, 79, 200, D11/201, 204, 208, 209, 212; D24/155; D29/129, 130

CPC ..... A61B 17/80; A61B 17/66; A61B 17/58; A61B 17/8019; A61B 17/842; A61B 17/8625; A61B 17/863; A61B 17/8635; A61B 17/8866; B67B 7/44; B67B 7/18; B67B 7/0423; B67B 7/16; E04G 5/041; E04G 5/043; E04G 21/3276; E04G 21/3285; E04D 13/12; B25F 1/04; B25F 5/027; B26B 11/001; A47K 10/40; A47H 27/00; A47G 7/045; A47B 13/02; A47B 87/00; A47B 96/02; A47B 96/06; A47B 57/06; A47B 87/005; A47B 57/34; A47B 96/021; A47B 96/061; B63B 22/00; A47F 5/13; A44B 11/04; A43B 1/0027; A43C 11/1413; A43C 11/1466; A43C 11/1433; G10K 1/26; G10K 1/28; G10K 9/22; H02G 1/00; A45F 2200/0575; B25B 13/54; F16B 37/02; F16G 13/16; F16L 33/02; F16L 33/22; F16L 35/00

See application file for complete search history.

**(56) References Cited**

U.S. PATENT DOCUMENTS

D323,285	S	*	1/1992	Thomson	.....	439/528
D456,226	S	*	4/2002	Doshay	.....	D8/17
D567,707	S	*	4/2008	Yeates	.....	D11/200
D651,059	S	*	12/2011	McDonald	.....	D8/51
D656,391	S	*	3/2012	McClain	.....	D8/354
D675,048	S	*	1/2013	Coresh	.....	D6/524
D703,501	S	*	4/2014	Junyong	.....	D8/17
D728,333	S	*	5/2015	Sui	.....	D8/17
D766,439	S	*	9/2016	DaCosta	.....	D24/155
D797,674	S	*	9/2017	Miyamoto	.....	D13/133
2011/0264149	A1	*	10/2011	Pappalardo	.....	A61B 17/8019 606/286

OTHER PUBLICATIONS

Trimed Debuts New Website, posted Mar. 3, 2011, [retrieved Nov. 26, 2018]. Retrieved from Internet, <URL: <http://footandanklefixation.blogspot.com/2011/06/trimed-debuts-thier-new-website.html> >.\*

LOQTEQ® VA Distal Radius 2.5 Ulna Hook Plate, Anatomical Angular Stable Plating System, posted unknown, [retrieved Nov. 26, 2018]. Retrieved from Internet, <URL: <https://www.ortotech.com/da/component/nimble/products/detail/402/loqteq-va-distal-radius-2-5-ulna-hook-plate> >.\*

\* cited by examiner

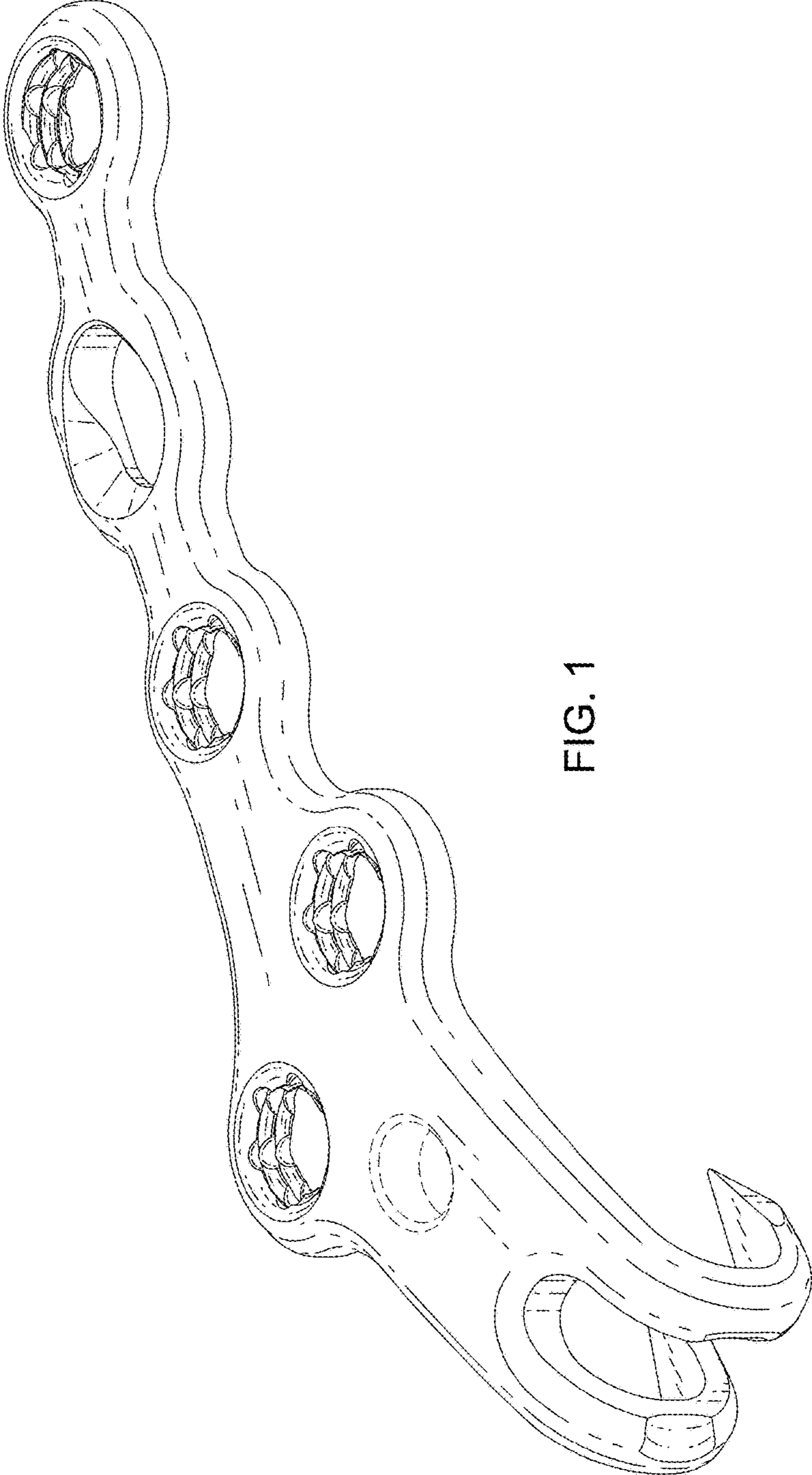


FIG. 1

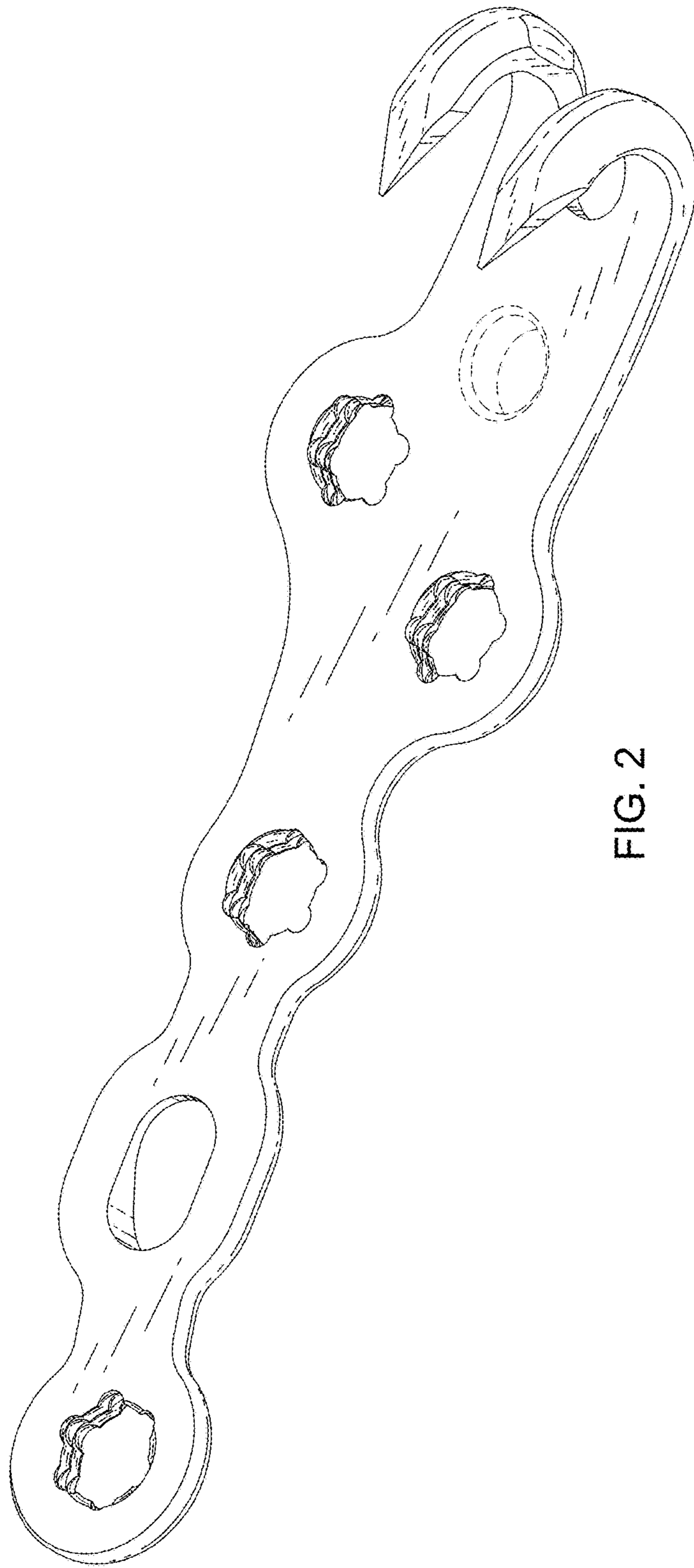


FIG. 2

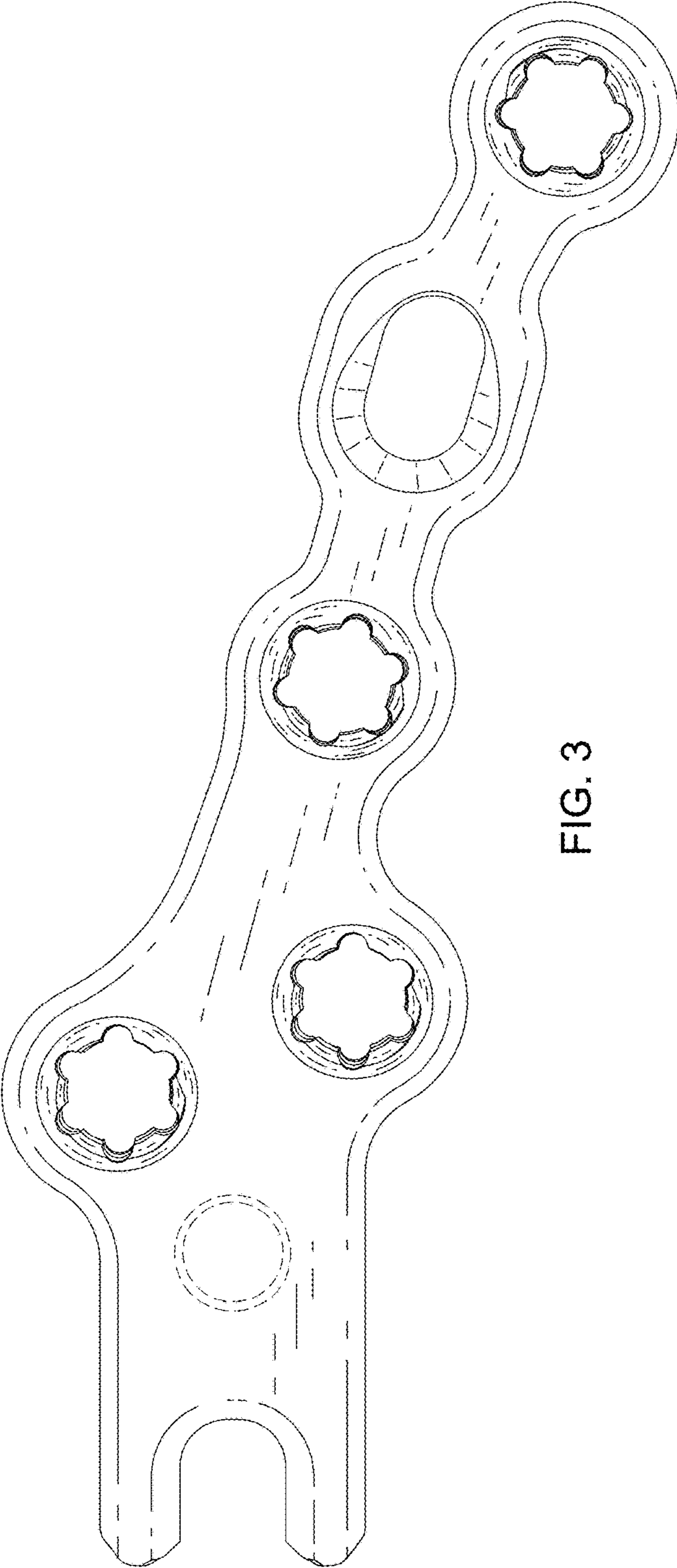


FIG. 3

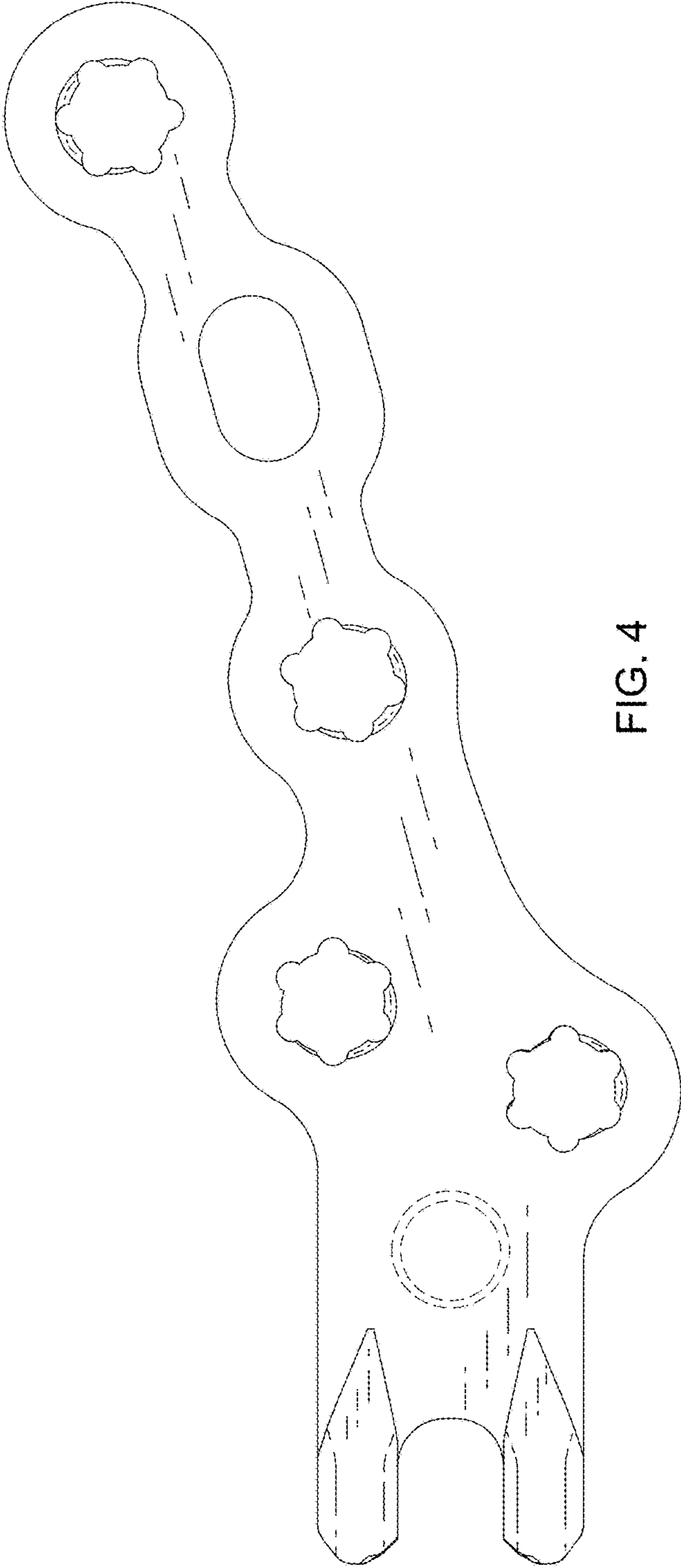


FIG. 4

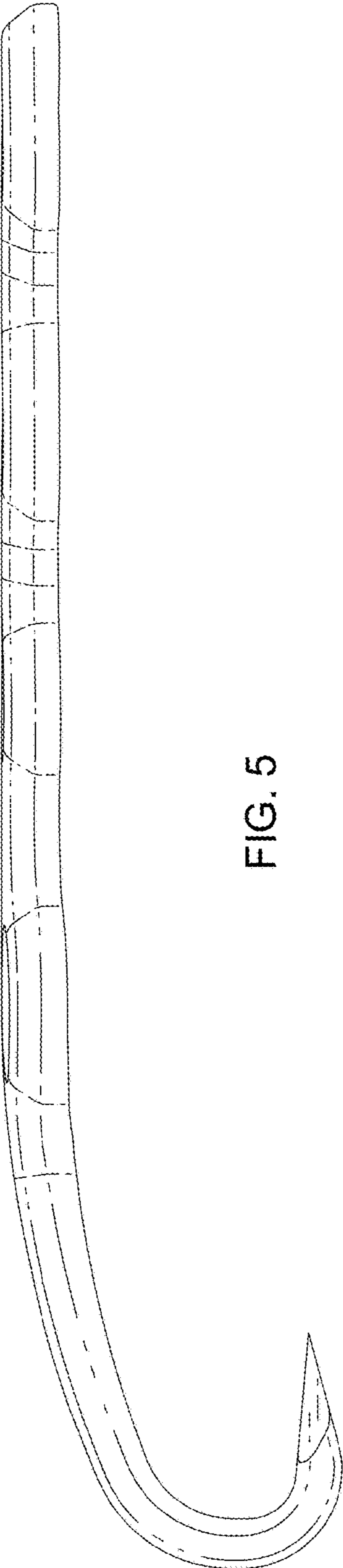


FIG. 5

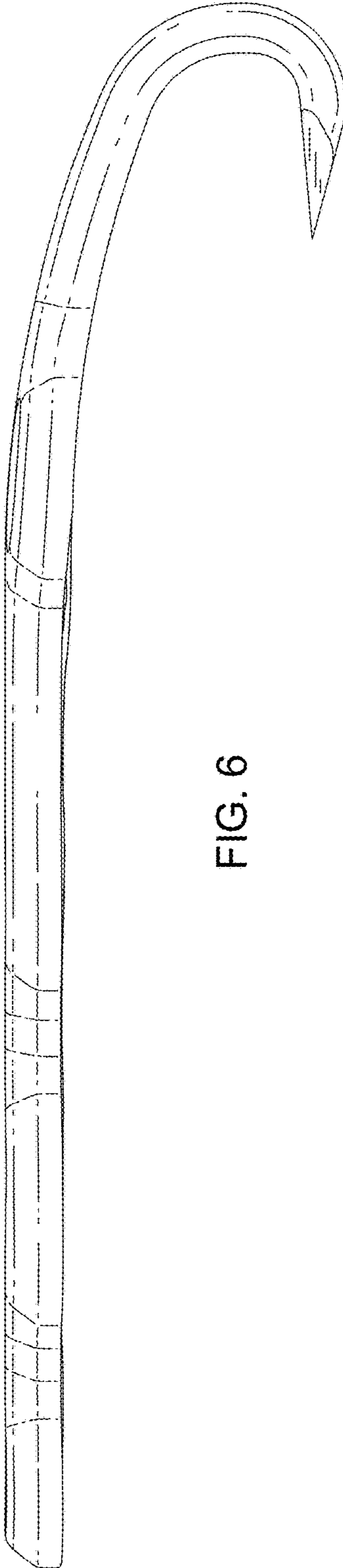


FIG. 6

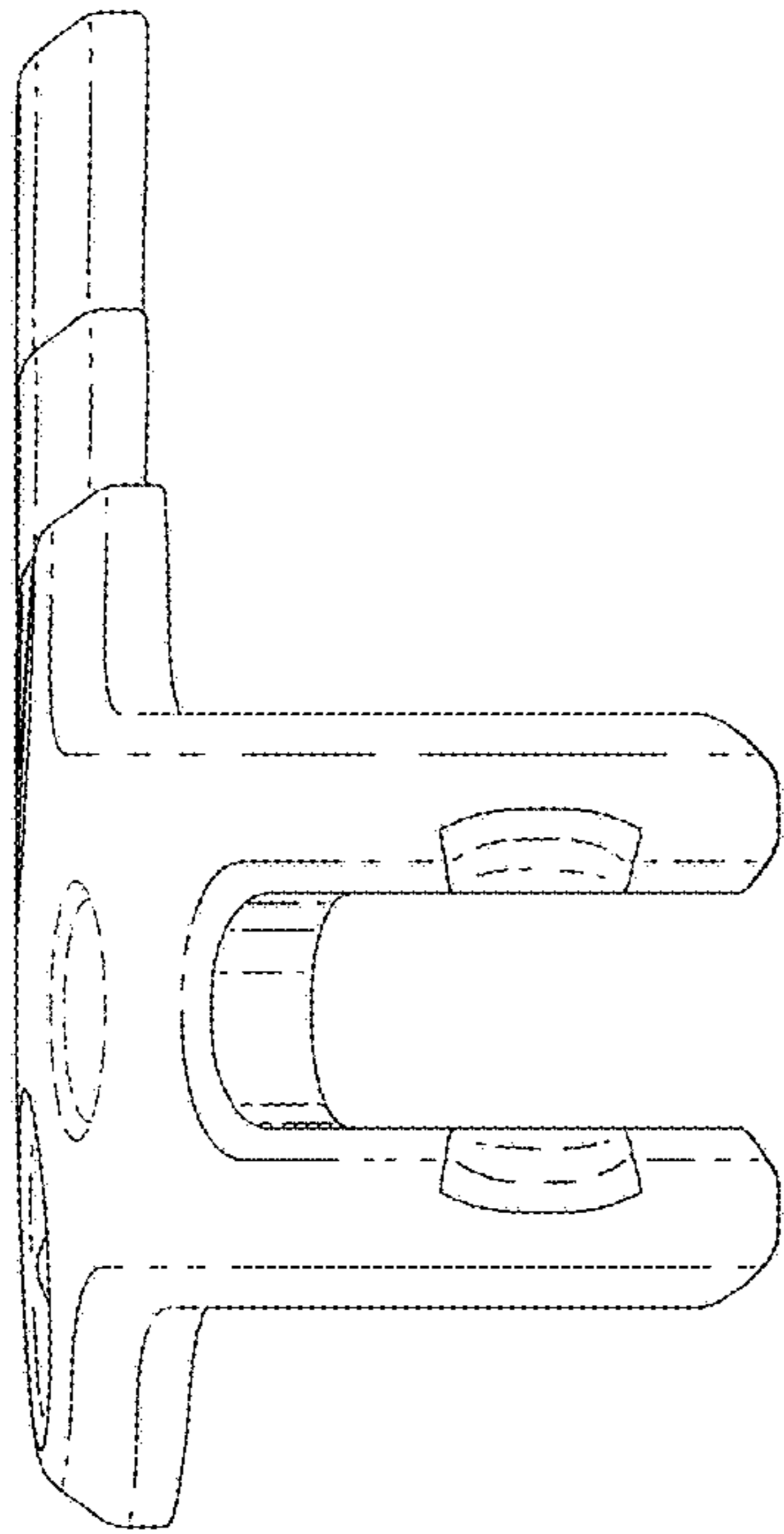


FIG. 7

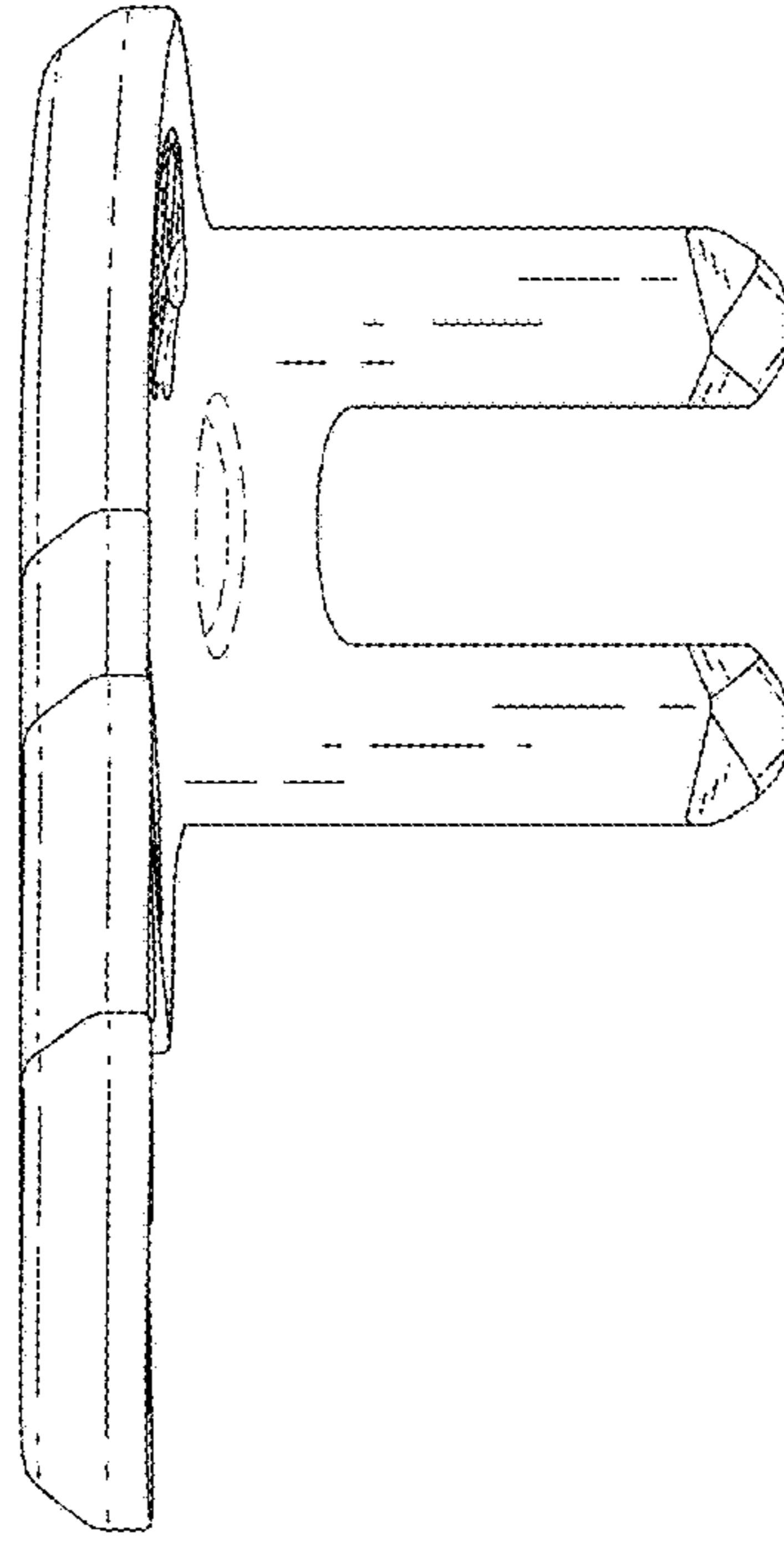


FIG. 8



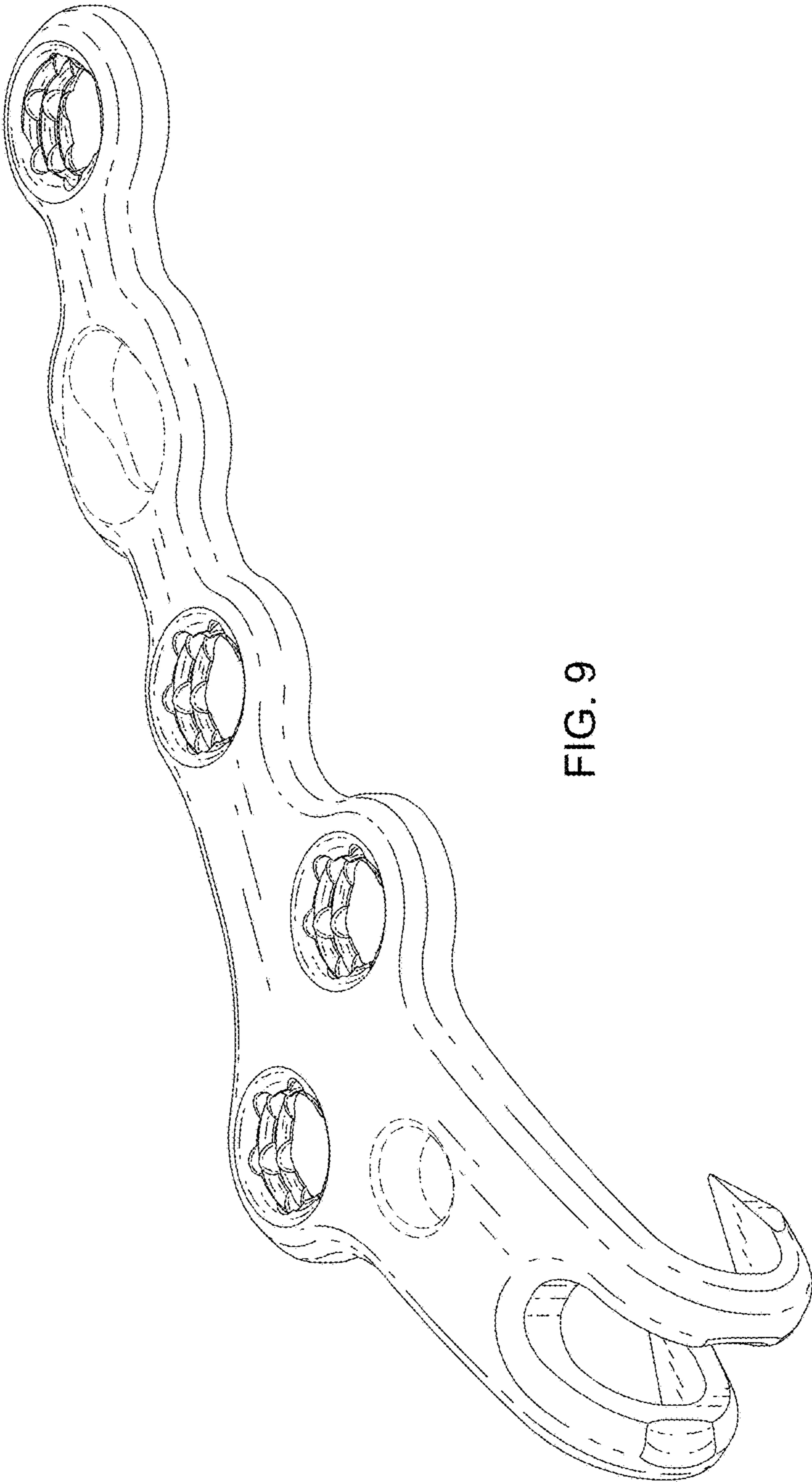


FIG. 9

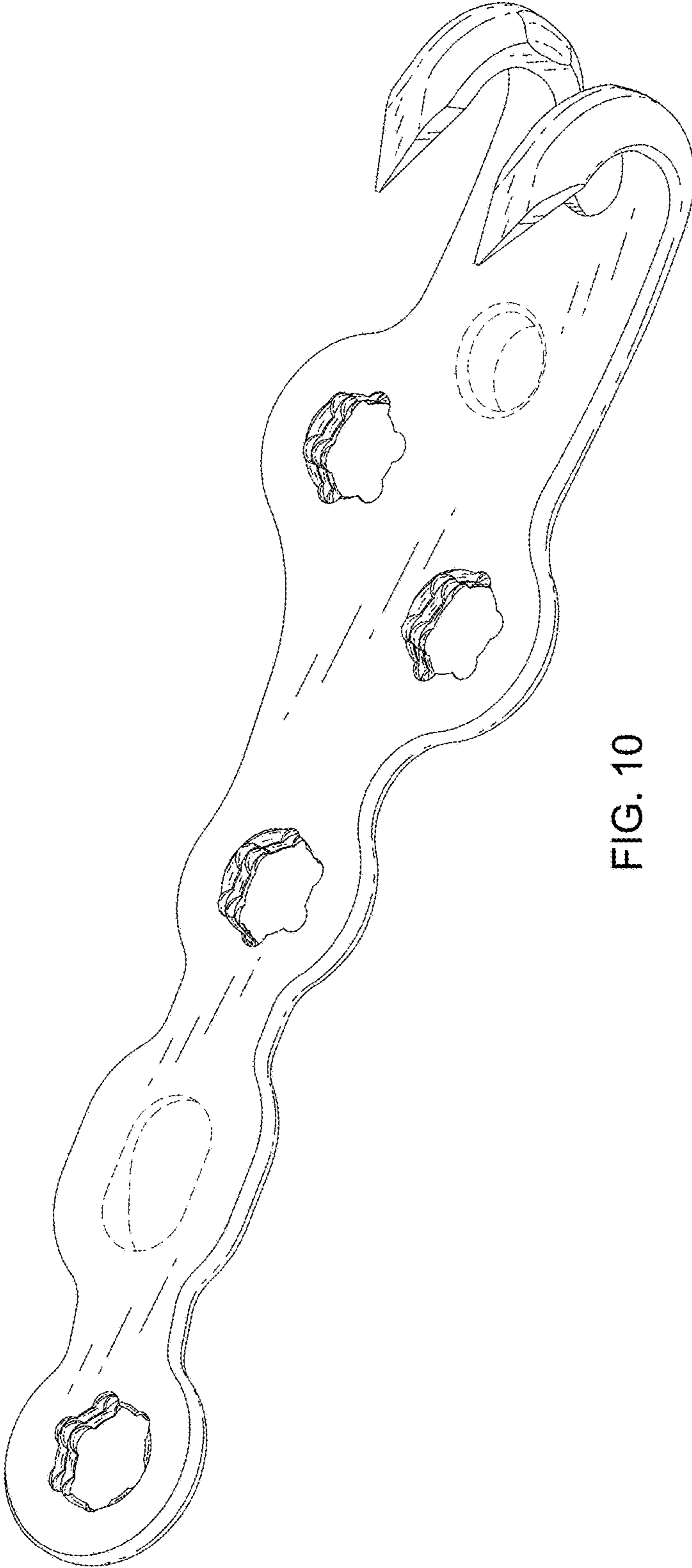


FIG. 10

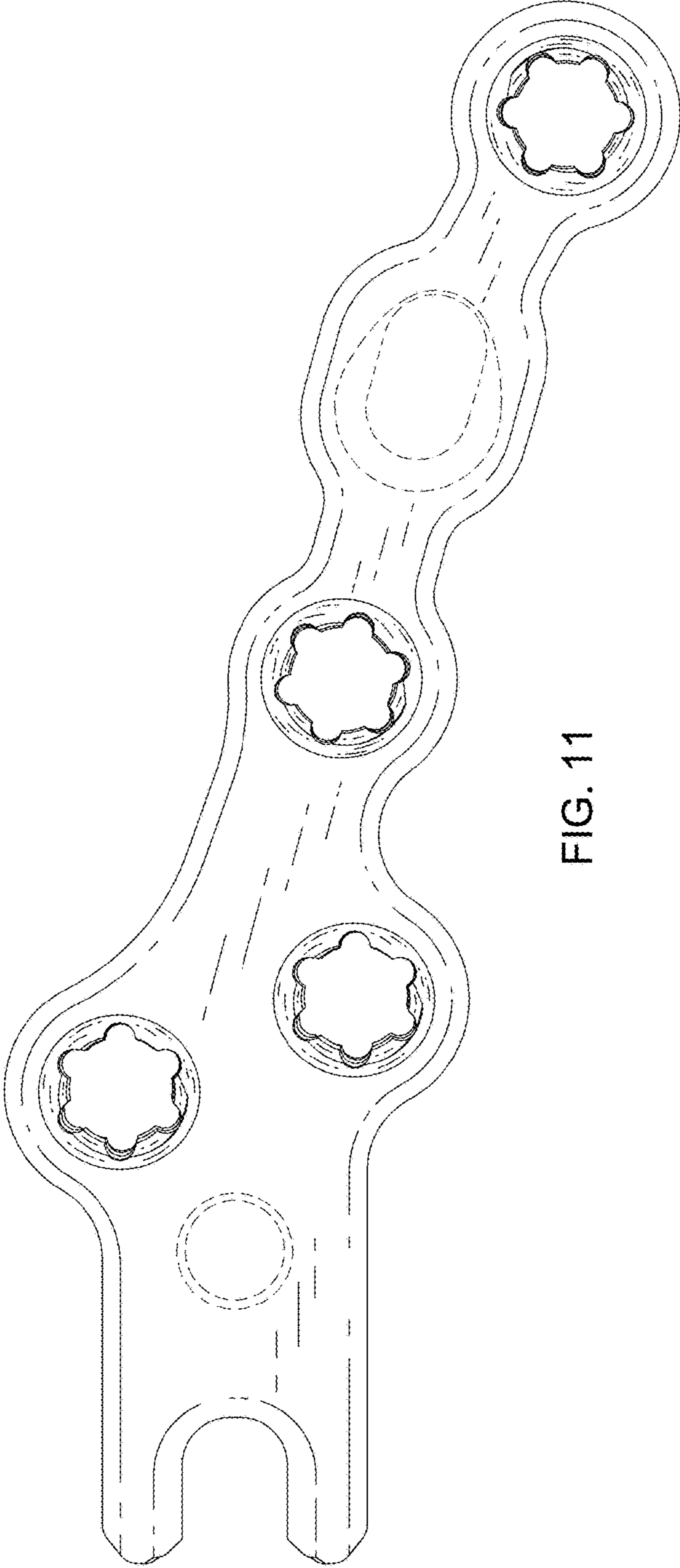


FIG. 11

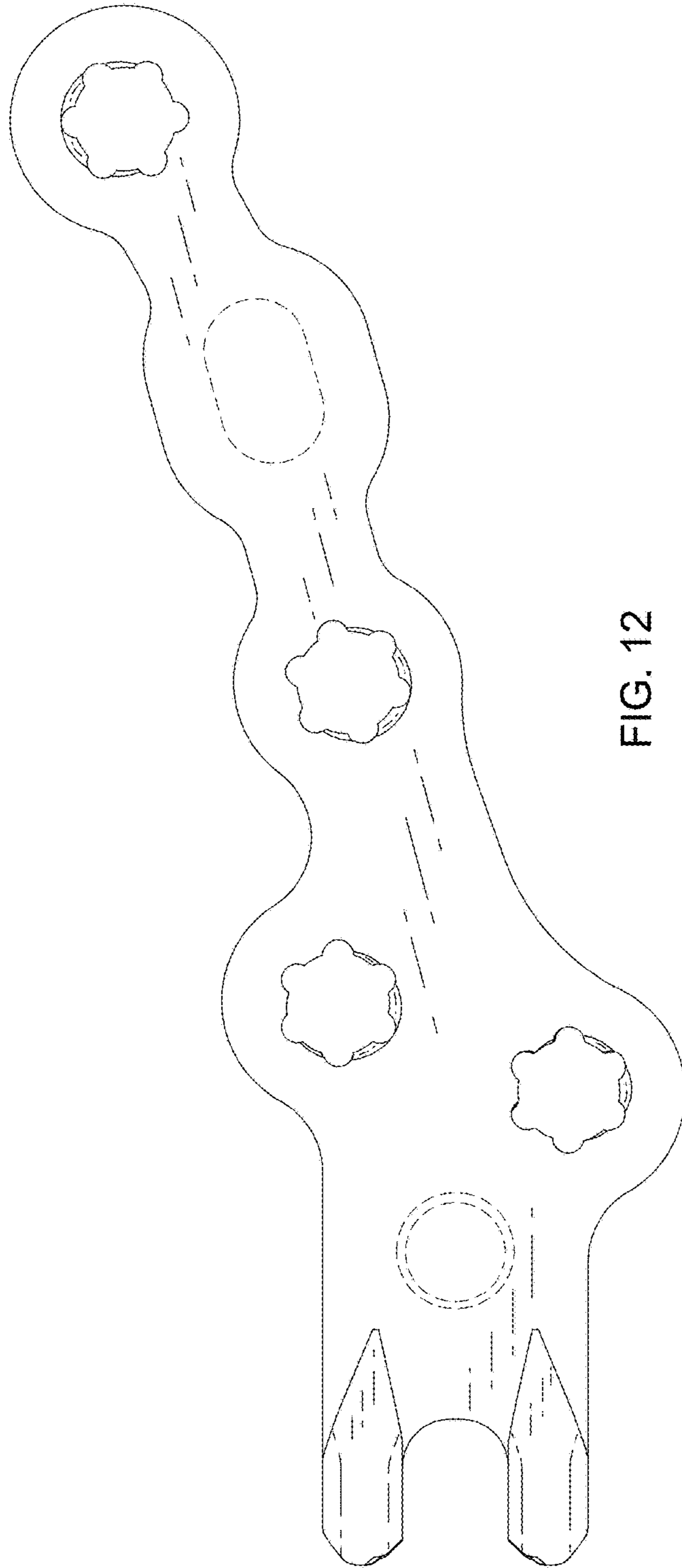


FIG. 12

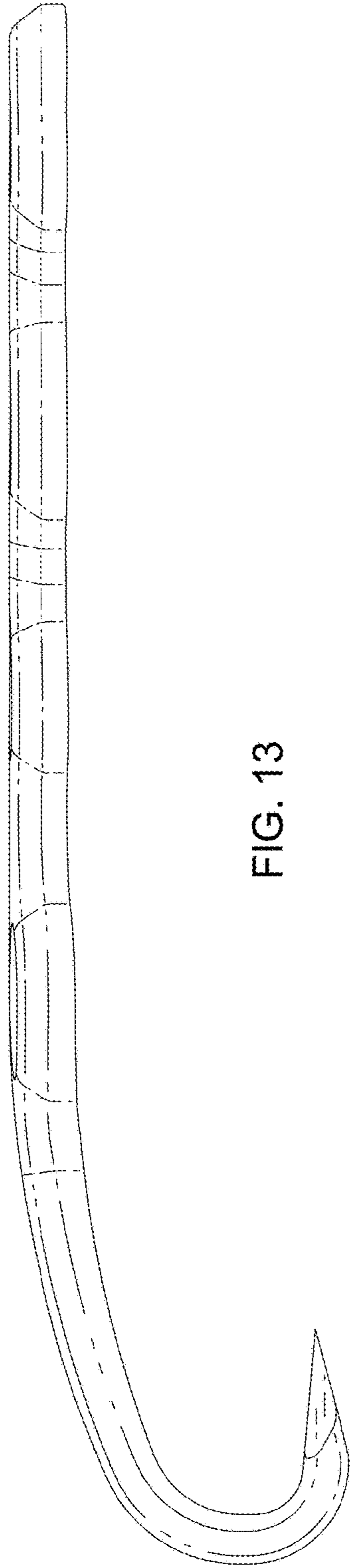


FIG. 13

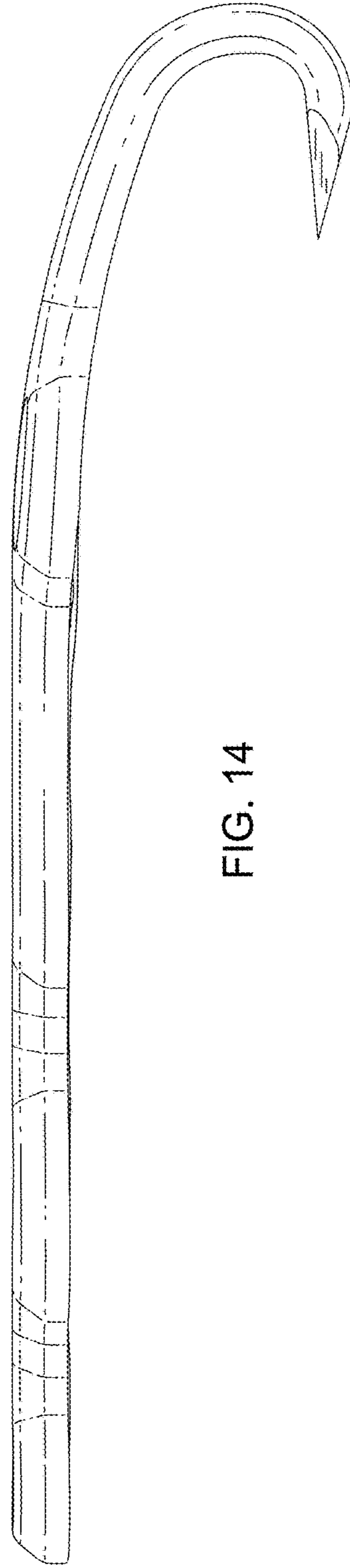


FIG. 14

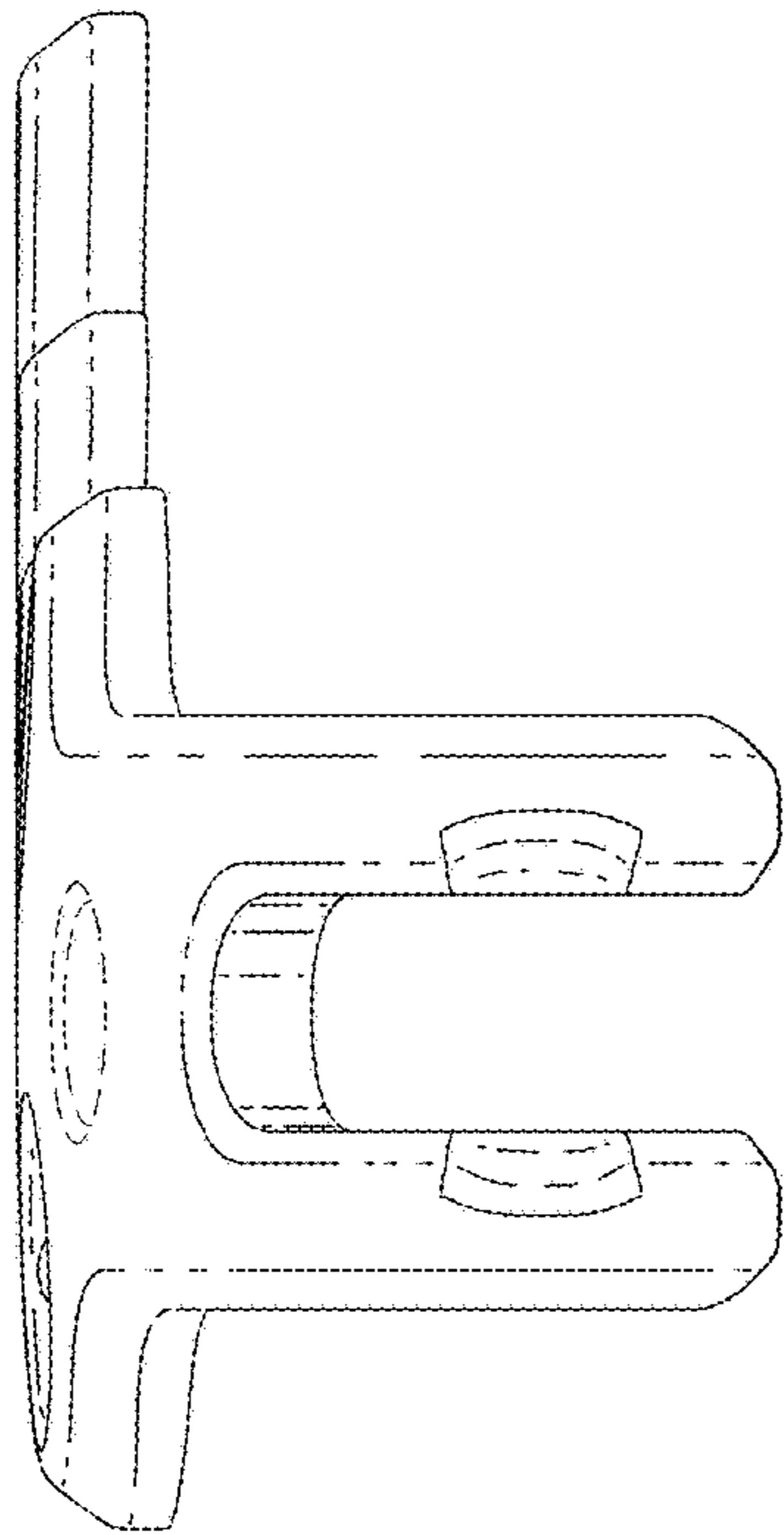


FIG. 15

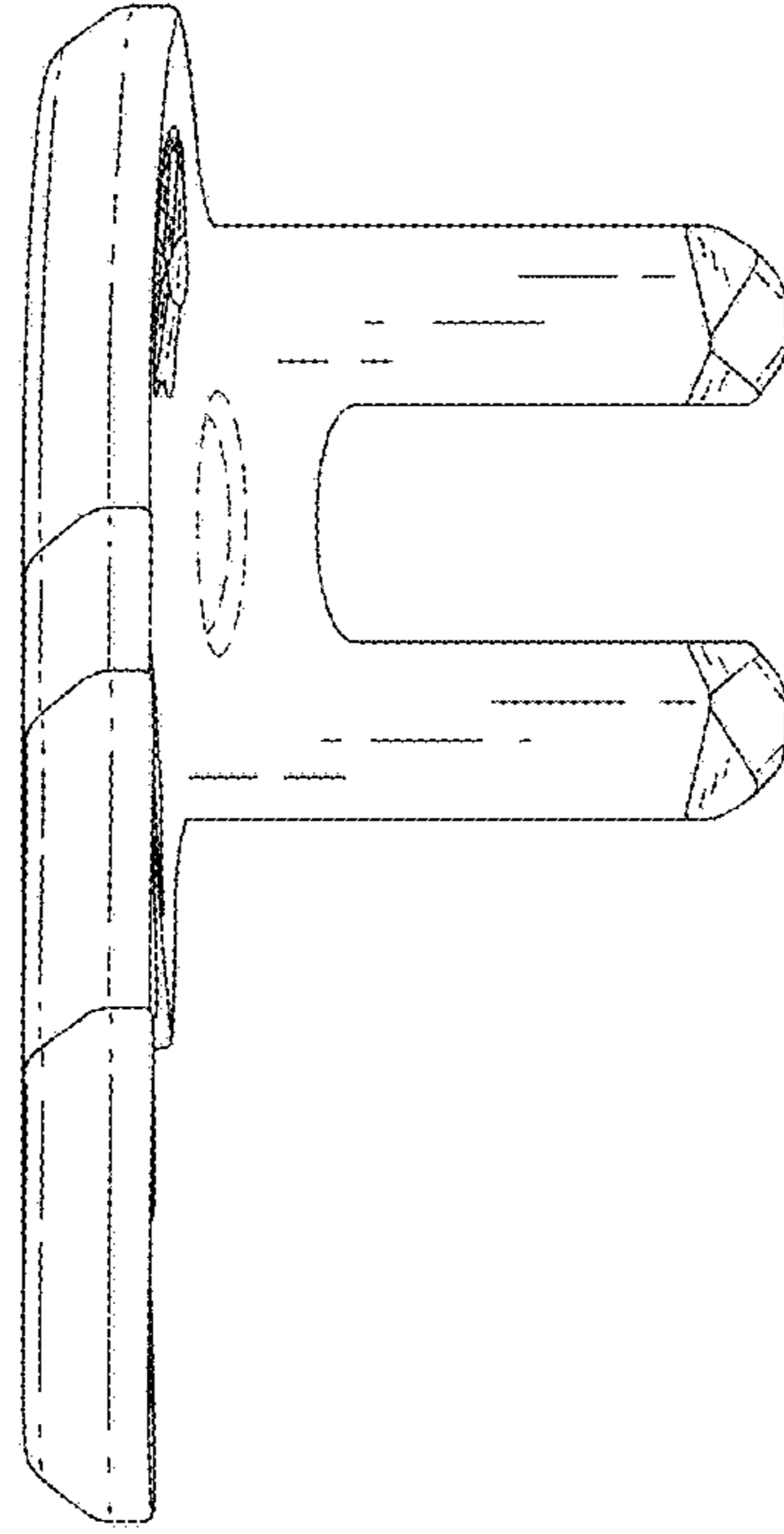


FIG. 16