



US00D855805S

(12) **United States Design Patent** (10) **Patent No.:** **US D855,805 S**
Chen et al. (45) **Date of Patent:** **** Aug. 6, 2019**

(54) **MICROBLADING TATTOO APPLICATOR**

(71) Applicant: **TINA DAVIES PROFESSIONAL LLC**

(72) Inventors: **Tina Ming Chen, Toronto (CA); Thomas Luke Davies, Toronto (CA)**

(**) Term: **15 Years**

(21) Appl. No.: **35/502,365**

(22) Filed: **Jul. 29, 2016**

(80) **Hague Agreement Data**

Int. Filing Date: **Jul. 29, 2016**
Int. Reg. No.: **DM/092044**
Int. Reg. Date: **Jul. 29, 2016**
Int. Reg. Pub. Date: **Feb. 3, 2017**

(51) **LOC (12) Cl.** **24-02**

(52) **U.S. Cl.**
USPC **D24/147**

(58) **Field of Classification Search**
USPC D24/133, 144, 146, 147
CPC A61M 37/0076; A61M 37/0084; A61M 35/003

See application file for complete search history.

(56) **References Cited**

U.S. PATENT DOCUMENTS

D99,747 S * 5/1936 Greth D24/135
D320,922 S * 10/1991 Lurkis 74/551.9

D415,569 S * 10/1999 Wyrwa D24/211
D512,457 S * 12/2005 Anand D19/174
D559,395 S * 1/2008 Matsuura D24/216
D638,939 S * 5/2011 Eikhoff D24/144
D677,790 S * 3/2013 Little A61M 37/0076
D24/133
D739,019 S * 9/2015 Chen D24/147
2012/0265232 A1 * 10/2012 Surbone A61M 37/0076
606/186

* cited by examiner

Primary Examiner — Eliza Z Bennett-Hattan

(57) **CLAIM**

The ornamental design for a microblading tattoo applicator, as shown and described.

DESCRIPTION

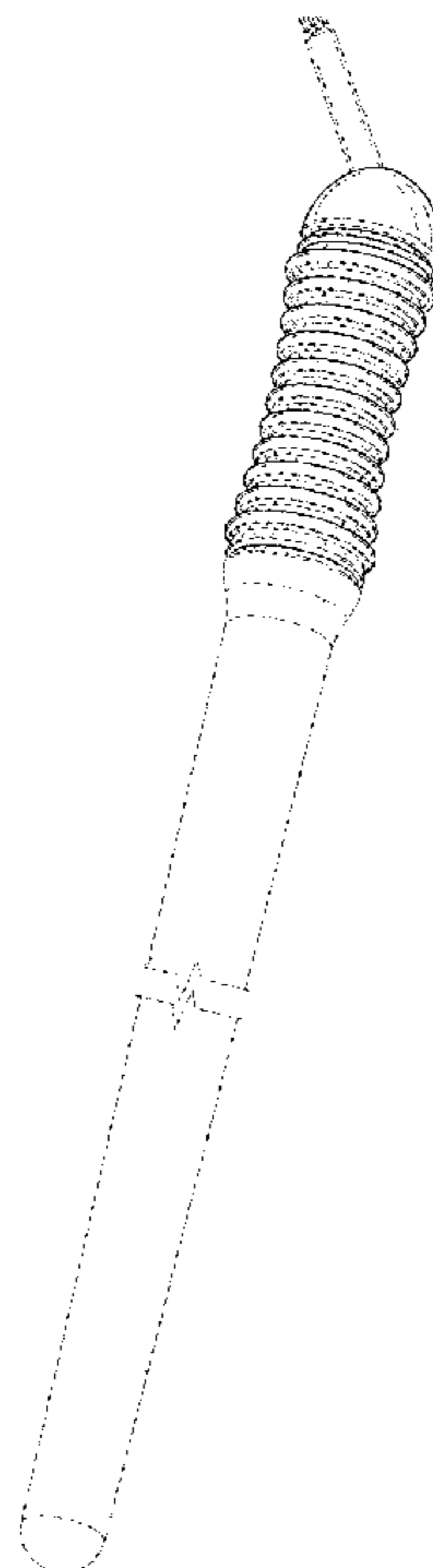
2. Microblading tattoo applicator

- 2.1 : Perspective
- 2.2 : Perspective
- 2.3 : Right
- 2.4 : Front
- 2.5 : Back
- 2.6 : Top
- 2.7 : Bottom

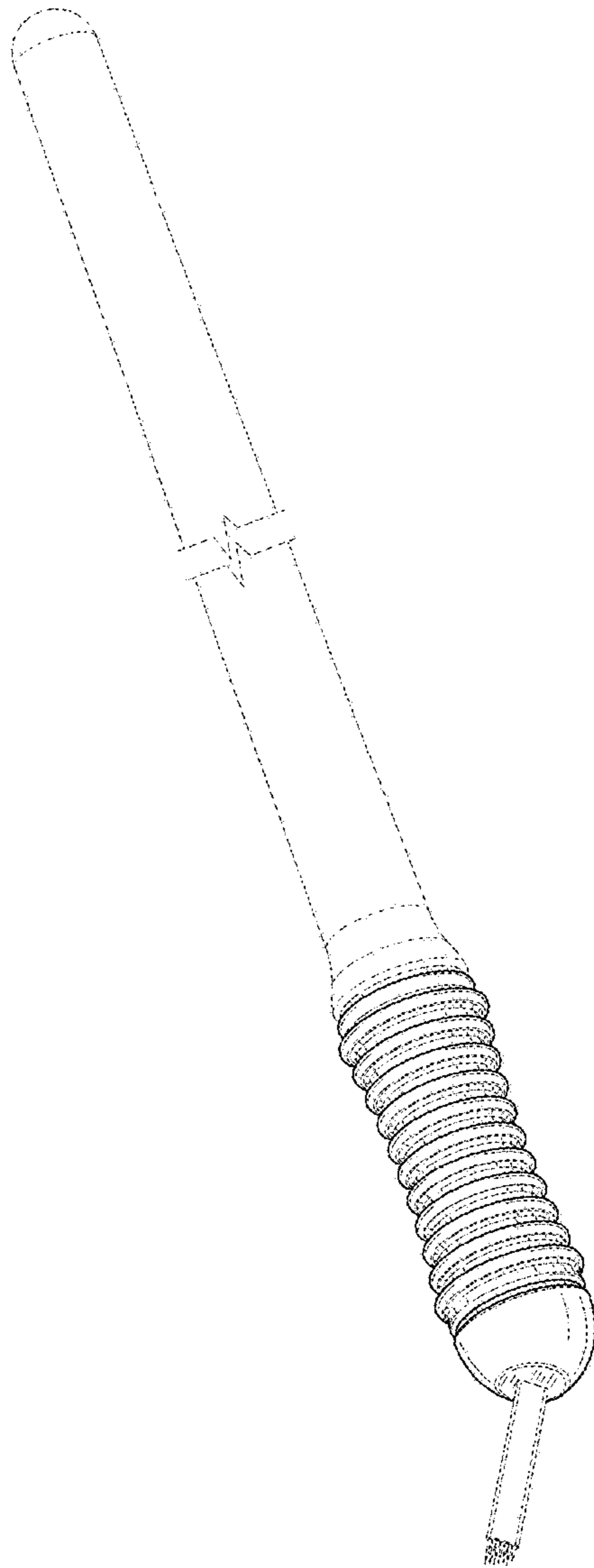
Figs. 2.1-2.7 depict various views of a microblading tattoo applicator showing the design.

The broken lines depict unclaimed portions of the microblading tattoo applicator and form no part of the claimed design.

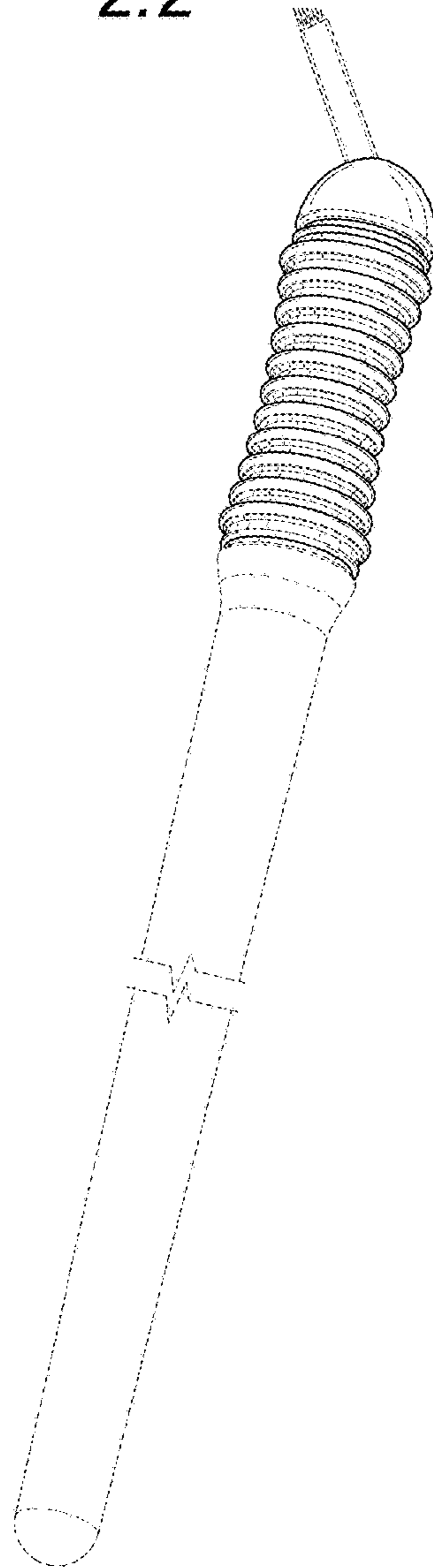
1 Claim, 7 Drawing Sheets

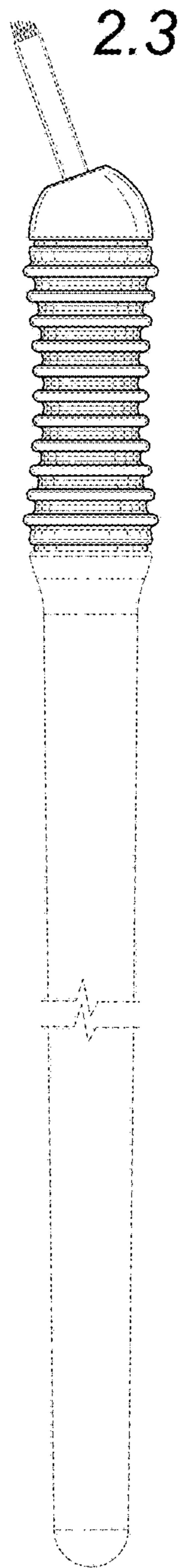


2.1

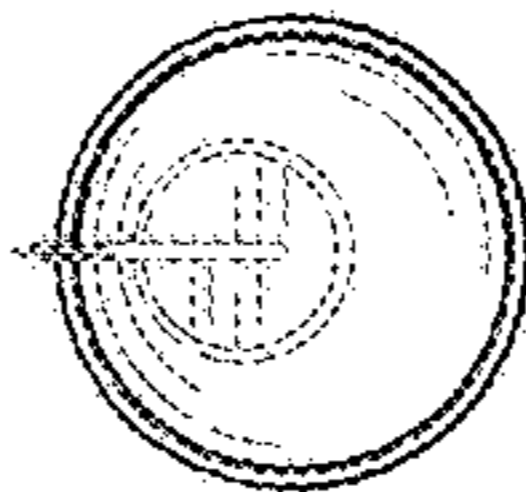


2.2

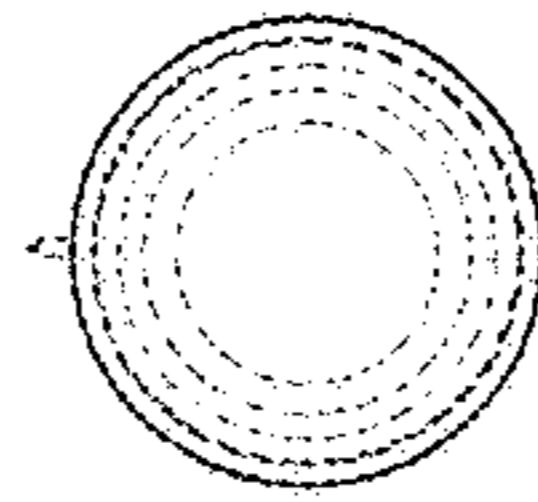




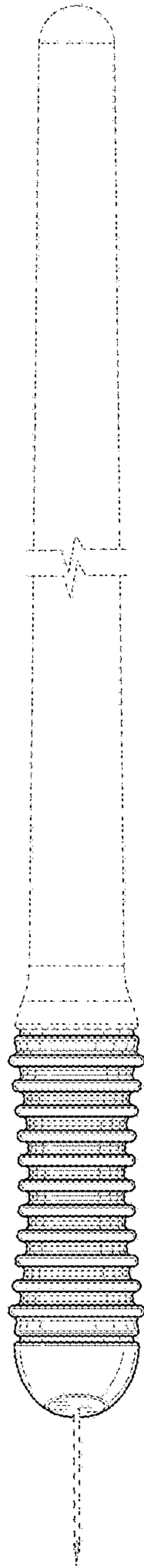
2.4



2.5



2.6



2.7

