

US00D855804S

(12) **United States Design Patent** (10) **Patent No.:** **US D855,804 S**  
**Sweeney et al.** (45) **Date of Patent:** **\*\* Aug. 6, 2019**

(54) **INTRAOSSSEOUS NEEDLE AND STYLET** 8,062,270 B2 \* 11/2011 Sweeney ..... A61B 17/3472  
604/264  
(71) Applicant: **Spinal Generations, LLC**, Mokena, IL D715,431 S \* 10/2014 Vonck ..... D24/133  
(US) D740,420 S \* 10/2015 Spycher ..... D24/146  
D744,649 S \* 12/2015 Brannon ..... D24/146  
(72) Inventors: **Patrick J. Sweeney**, Flossmoor, IL D748,788 S \* 2/2016 Brannon ..... D24/146  
(US); **Matthew V. Leyden**, St. Paul, D749,217 S \* 2/2016 Brannon ..... D24/146  
MN (US) D773,926 S \* 12/2016 Sweeney ..... D8/387  
D778,443 S \* 2/2017 Brannon ..... D24/147  
D786,433 S \* 5/2017 Seaver ..... D24/147  
(73) Assignee: **Spinal Generations, LLC**, Mokena, IL D790,700 S \* 6/2017 Zhou ..... D24/146  
(US) D794,791 S \* 8/2017 Zhou ..... D24/146  
D801,796 S \* 11/2017 Sweeney ..... D8/387  
D813,389 S \* 3/2018 Zhou ..... D24/146  
(\*\*) Term: **15 Years** (Continued)

(21) Appl. No.: **29/629,855**

*Primary Examiner* — Cathron C Brooks

(22) Filed: **Dec. 15, 2017**

*Assistant Examiner* — Samantha Q Lawrence

(51) **LOC (12) Cl.** ..... **24-02**

(74) *Attorney, Agent, or Firm* — Foley & Lardner LLP

(52) **U.S. Cl.** ..... **D24/146**

(57) **CLAIM**

USPC ..... **D24/146**

We claim the ornamental design for a intrasosseous needle and stylet, as shown and described.

(58) **Field of Classification Search**

**DESCRIPTION**

USPC ..... D24/108, 112, 113, 114, 127, 130, 133,  
D24/146, 147, 148, 155, 156, 157;  
D7/649, 693, 694, 695, 696; D8/93, 97,  
D8/300, 310, 311, 313, 349, 382,  
D8/387–388, 391, 393, 397, 399;  
D19/110, 115  
CPC .. B26B 3/00; B26B 1/10; B26B 5/005; A61B  
17/089; A61B 17/1617; A61B 17/3211;  
A61B 5/1411; A61B 17/3417; A61B  
17/8685; A61B 17/3472; A61B 17/7005;  
A61B 17/7032; A61B 17/864; A61F  
2/4455; A61M 37/00

FIG. 1 is a front, left perspective view of an intrasosseous needle and stylet;  
FIG. 2 is a front, right exploded perspective view of the claimed design of FIG. 1;  
FIG. 3 is a front elevation view of the claimed design of FIG. 1;  
FIG. 4 is a rear elevation view of the claimed design of FIG. 1;  
FIG. 5 is a right side view of the claimed design of FIG. 1;  
FIG. 6 is a left side view of the claimed design of FIG. 1;  
FIG. 7 is a top view of the claimed design of FIG. 1; and,  
FIG. 8 is a bottom view of the claimed design of FIG. 1.  
The broken lines shown in FIG. 2 illustrate portions of the intrasosseous needle and stylet that form no part of the claimed design.

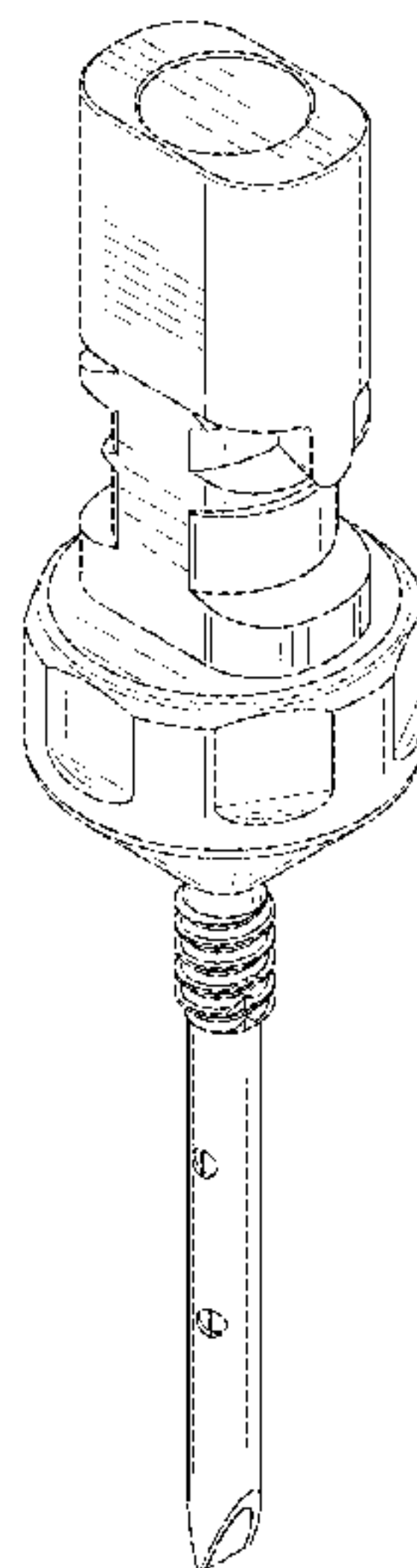
See application file for complete search history.

(56) **References Cited**

**1 Claim, 5 Drawing Sheets**

**U.S. PATENT DOCUMENTS**

7,744,635 B2 \* 6/2010 Sweeney ..... A61B 17/1671  
606/264  
D620,108 S \* 7/2010 Eitenmueller ..... D24/133



(56)

**References Cited**

U.S. PATENT DOCUMENTS

D814,033	S	*	3/2018	Fuchs	.....	D24/147
D830,820	S	*	10/2018	Sweeney	.....	D8/387
D831,213	S	*	10/2018	Kuun	.....	D24/147
D831,475	S	*	10/2018	Sweeney	.....	D8/387
D831,476	S	*	10/2018	Sweeney	.....	D8/387

\* cited by examiner

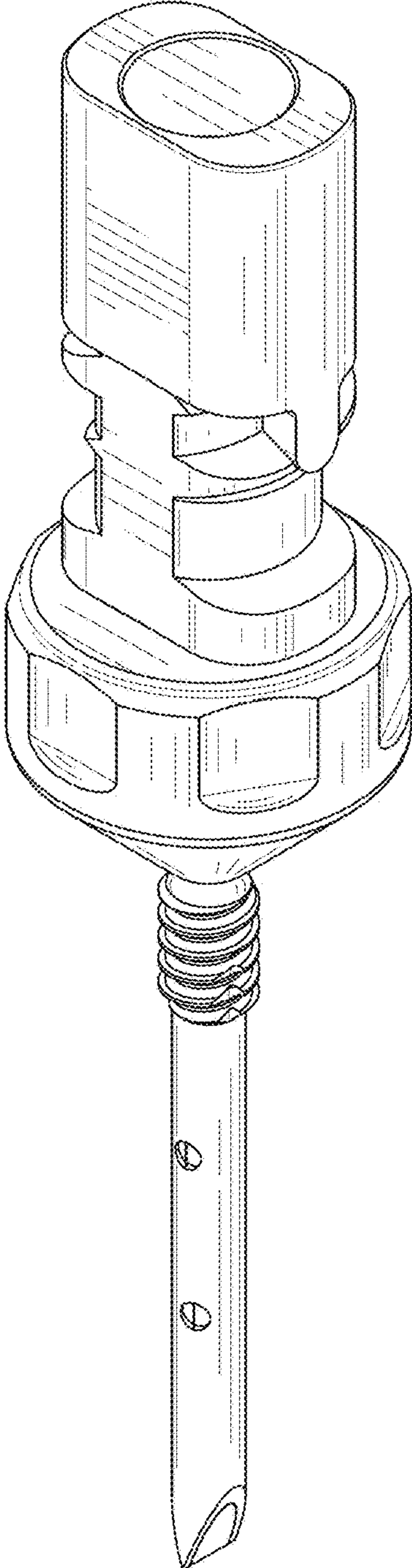


FIG. 1

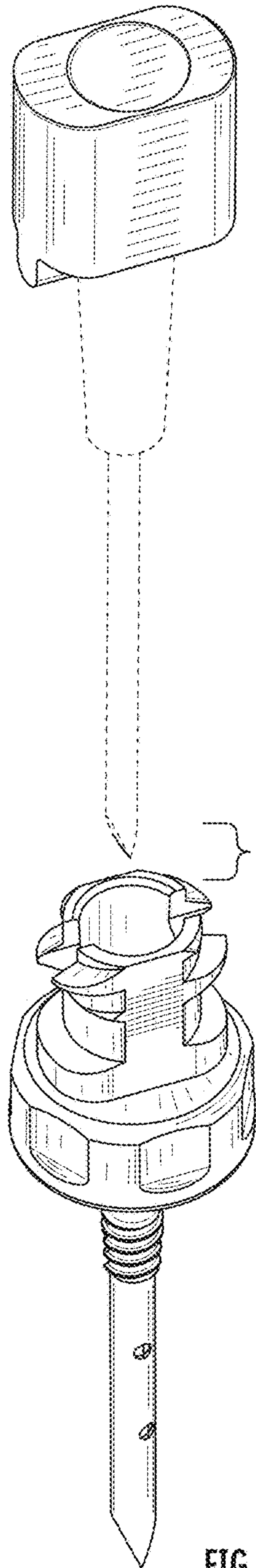


FIG. 2

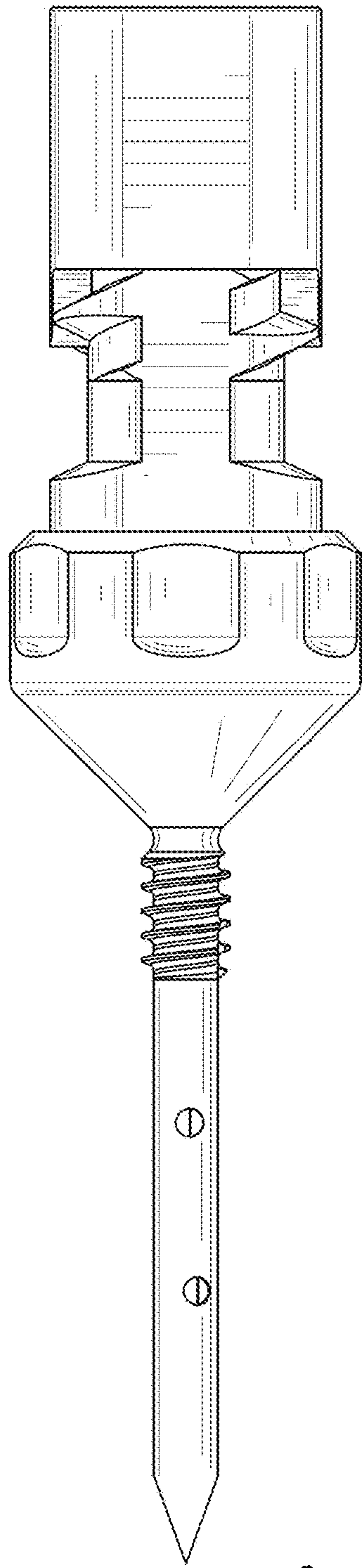


FIG. 3

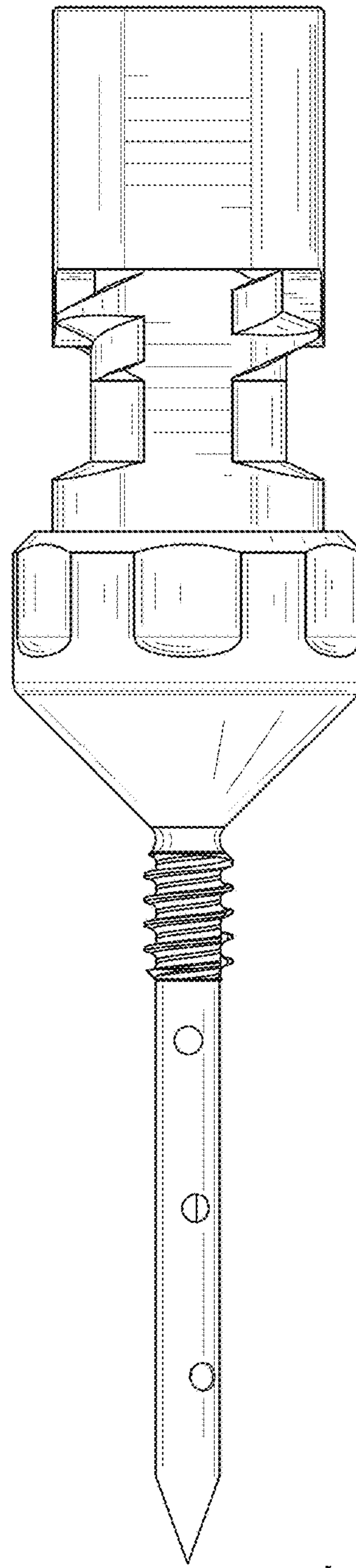


FIG. 4



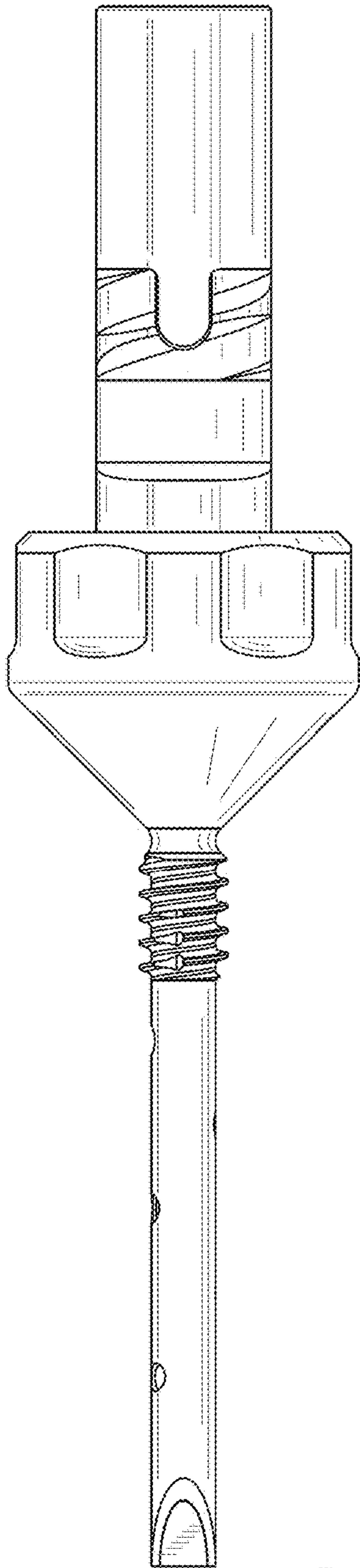


FIG. 5

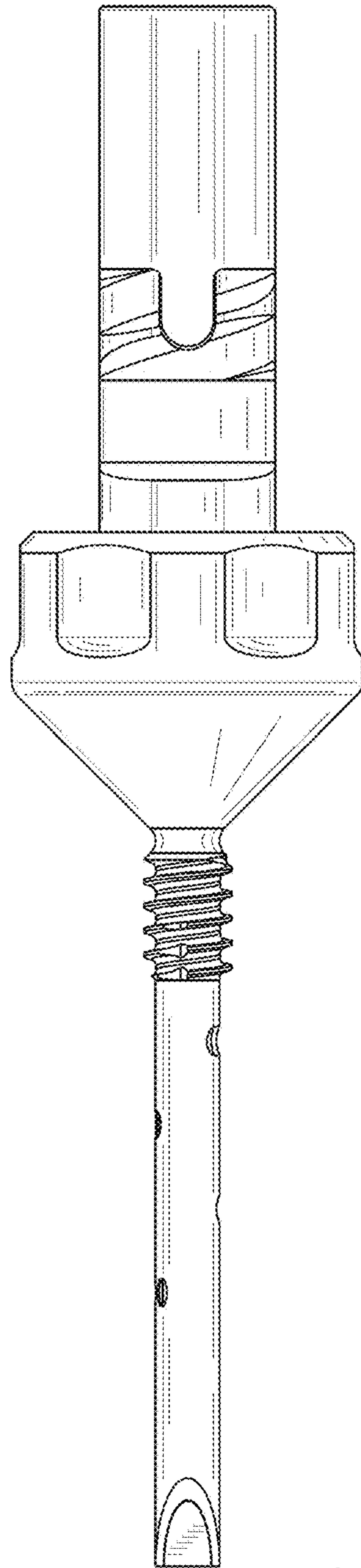


FIG. 6

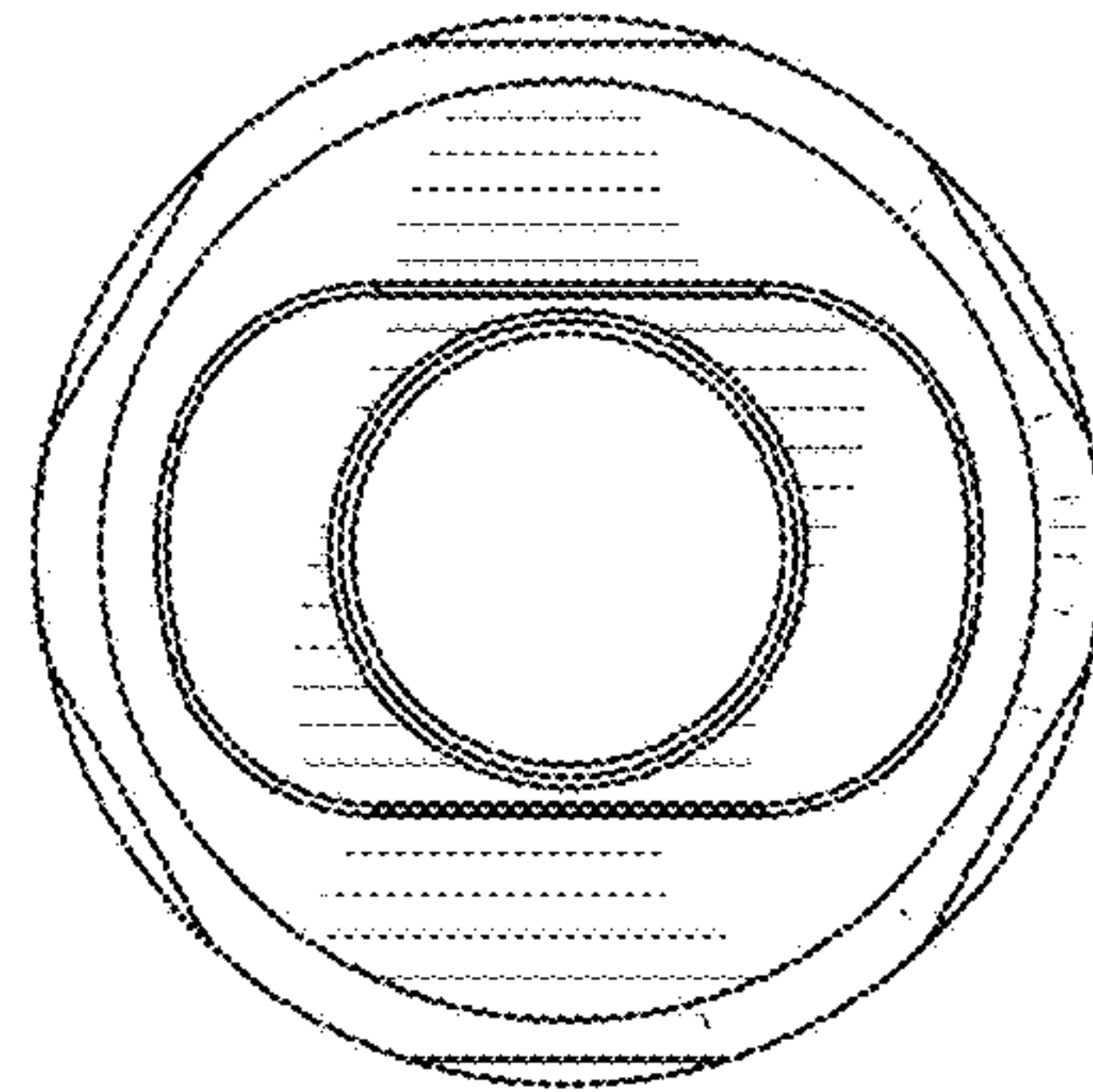


FIG. 7

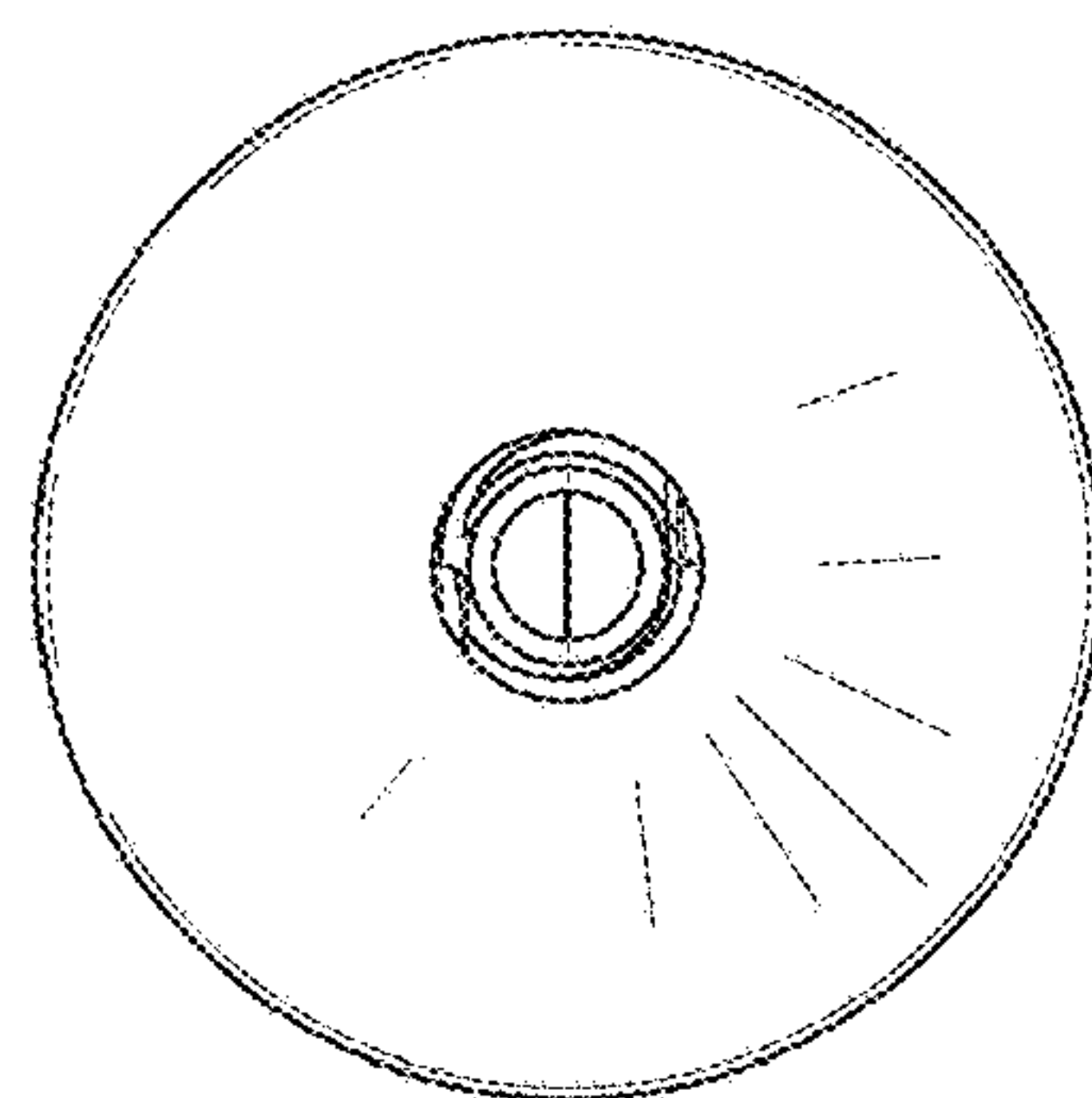


FIG. 8