



US00D855803S

(12) **United States Design Patent** (10) **Patent No.:** **US D855,803 S**
Dejima et al. (45) **Date of Patent:** **** Aug. 6, 2019**

(54) **ENDOSCOPE**

(71) Applicant: **FUJIFILM Corporation**, Tokyo (JP)

(72) Inventors: **Takumi Dejima**, Ashigarakami-gun (JP); **Hideyuki Yamada**, Ashigarakami-gun (JP)

(73) Assignee: **FUJIFILM Corporation**, Tokyo (JP)

(**) Term: **15 Years**

(21) Appl. No.: **29/553,109**

(22) Filed: **Jan. 28, 2016**

(30) **Foreign Application Priority Data**

Jul. 30, 2015 (JP) 2015-017002
Jul. 30, 2015 (JP) 2015-017003

(51) **LOC (12) Cl.** **24-02**

(52) **U.S. Cl.**
USPC **D24/138**

(58) **Field of Classification Search**
USPC D24/138, 137, 133, 135, 140
CPC A61B 1/267; A61B 1/2673; A61B 1/2676;
A61B 1/00; A61B 1/00052; A61B
1/00066; A61B 5/0077; A61B 19/5223;
A61B 19/5225; A61B 1/04; A61B
8/5215; G02B 23/24
See application file for complete search history.

(56) **References Cited**

U.S. PATENT DOCUMENTS

D354,563 S * 1/1995 Holmes D24/143
D428,146 S * 7/2000 Svanberg D24/133
(Continued)

FOREIGN PATENT DOCUMENTS

JP 6-319687 A 11/1994
JP 9-489 A 1/1997
(Continued)

OTHER PUBLICATIONS

Jarvisdeals. URL: <http://jarvisdeals.com/products/640p-hd-mini-camera-an97-5-5mm-diameter-mini-endoscope-with-1m-2m-usb-cable-for-android-searching-thing-camcorder-for-microscopy>.> Visited May 23, 2018. Mini Endoscope.*

(Continued)

Primary Examiner — Susan Bennett Hattan

Assistant Examiner — Lauren D McVey

(74) *Attorney, Agent, or Firm* — Birch, Stewart, Kolasch & Birch, LLP

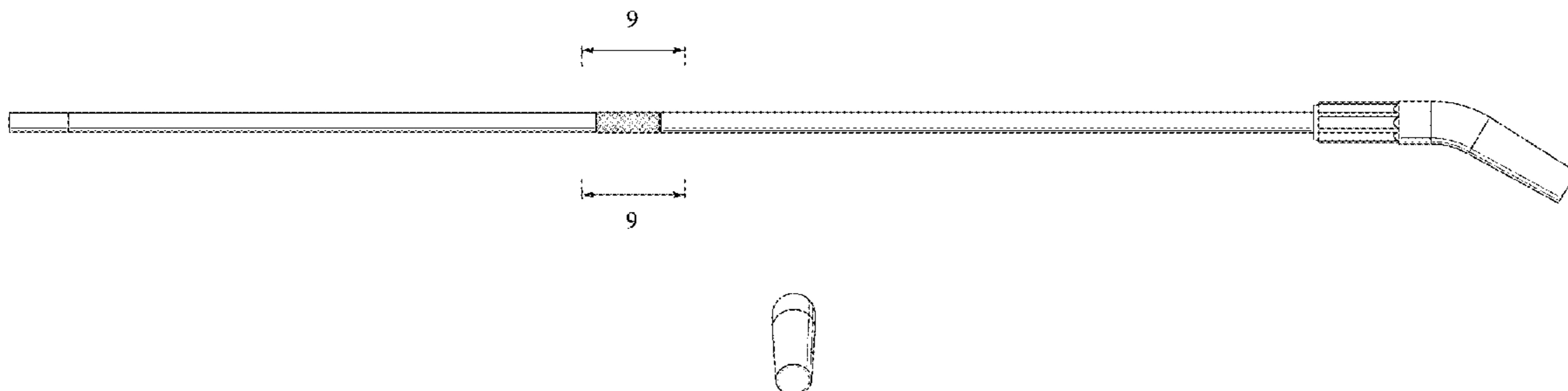
(57) **CLAIM**

The ornamental design for an endoscope, as shown and described.

DESCRIPTION

FIG. 1 is a perspective view of an endoscope showing our new design;
FIG. 2 is a front view thereof, the rear view being mirror image;
FIG. 3 is a plan view thereof;
FIG. 4 is a bottom view thereof;
FIG. 5 is a right side view thereof;
FIG. 6 is a left side view thereof;
FIG. 7 is an enlarged left side view thereof;
FIG. 8 is an enlarged view of the area designated in FIG. 7; and,
FIG. 9 is an enlarged partial view of 9-9 section of FIG. 2. The contrast in shading type between straight occasionally broken line shading and stipple shading represents a contrast in appearance as shown. The evenly spaced broken lines are directed to environment and form no part of the claimed design. The dot-dash broken lines in FIG. 7 are used to identify the enlarged view in FIG. 8 and are for reference purposes only.

1 Claim, 4 Drawing Sheets



(56)

References Cited

U.S. PATENT DOCUMENTS

D624,649	S *	9/2010	Seeh	D24/133
D655,414	S *	3/2012	Cuschieri	D24/133
D656,610	S *	3/2012	Kleiner	D24/133
D663,837	S *	7/2012	Becker	D24/138
8,403,926	B2 *	3/2013	Nobis	A61B 17/32001 606/39
D687,542	S *	8/2013	Esposito	D24/112
D743,029	S *	11/2015	Mesle	D24/138
D752,213	S *	3/2016	Paul	D24/127
D753,822	S *	4/2016	Teufel	D24/138
D758,565	S *	6/2016	Efinger	D24/112
D758,578	S *	6/2016	Quaye	D24/138
2007/0106118	A1	5/2007	Moriyama		
2015/0094534	A1	4/2015	Yamada		

FOREIGN PATENT DOCUMENTS

JP	2001-346750	A	12/2001		
JP	2004-41580	A	2/2004		
JP	2005-304545	A	11/2005		
JP	2006-6421	A	1/2006		
JP	2006-14960	A	1/2006		
JP	2014-33933	A	2/2014		
JP	2015-66287	A	4/2015		
WO	WO 2014/157475	A1	10/2014		
WO	WO 2017158945	A1 *	9/2017	A61B 1/00

OTHER PUBLICATIONS

Japanese Notification issued on Apr. 8, 2016 in counterpart JP Design Application No. 2015-017003 with an English Translation.

* cited by examiner

FIG. 1

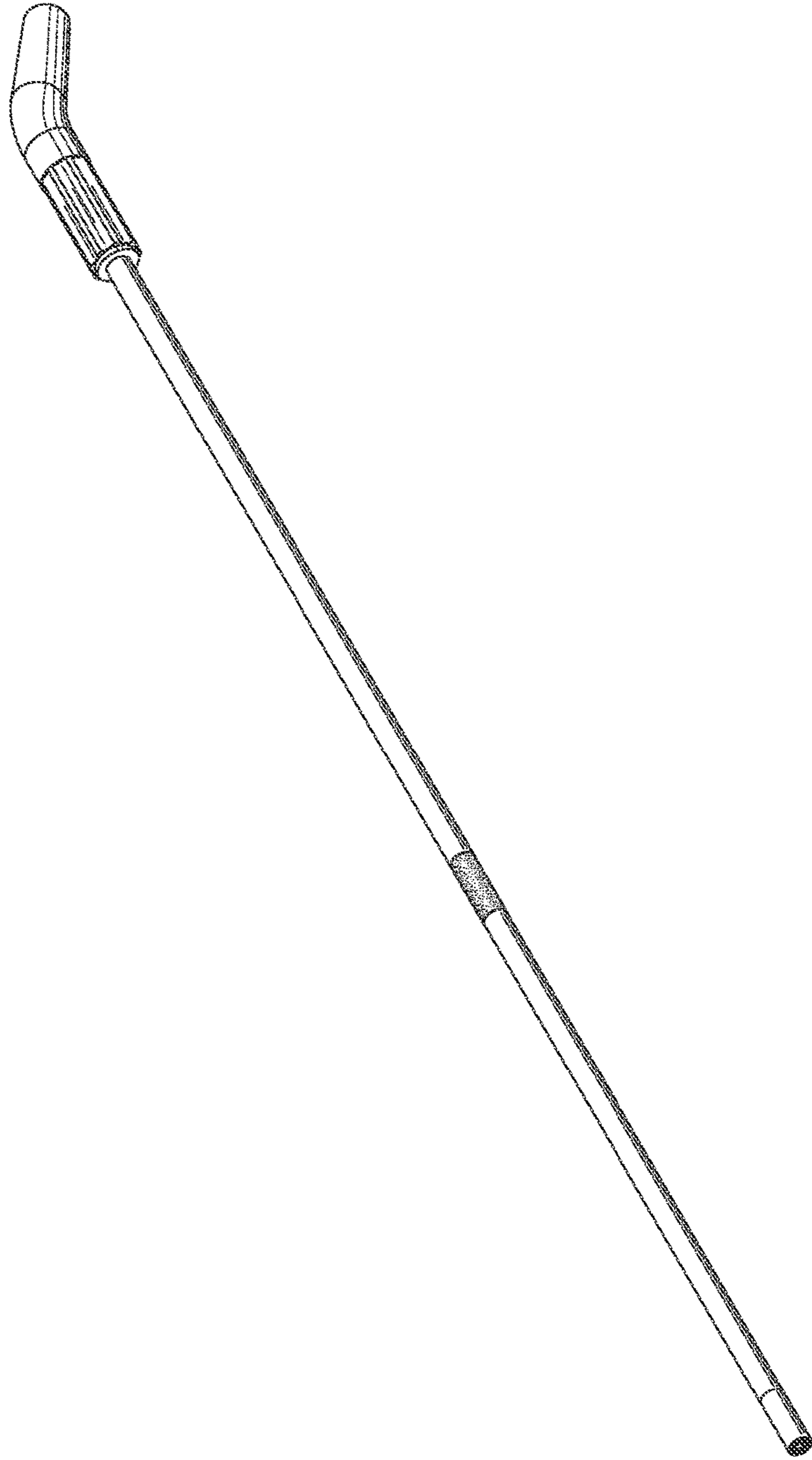


FIG. 2

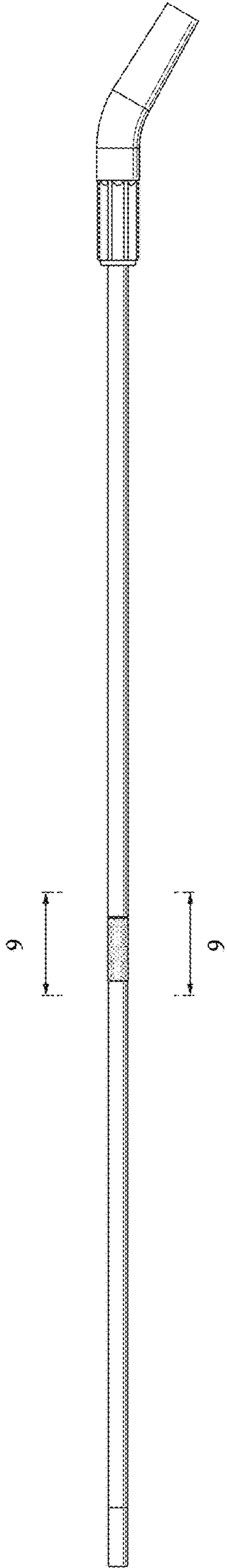


FIG. 3

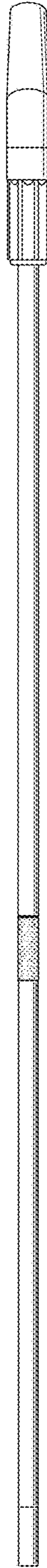


FIG. 4

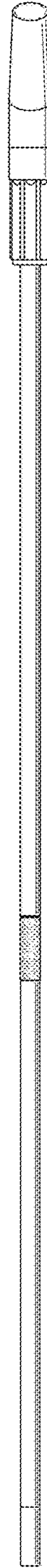


FIG. 5



FIG. 6



FIG. 7

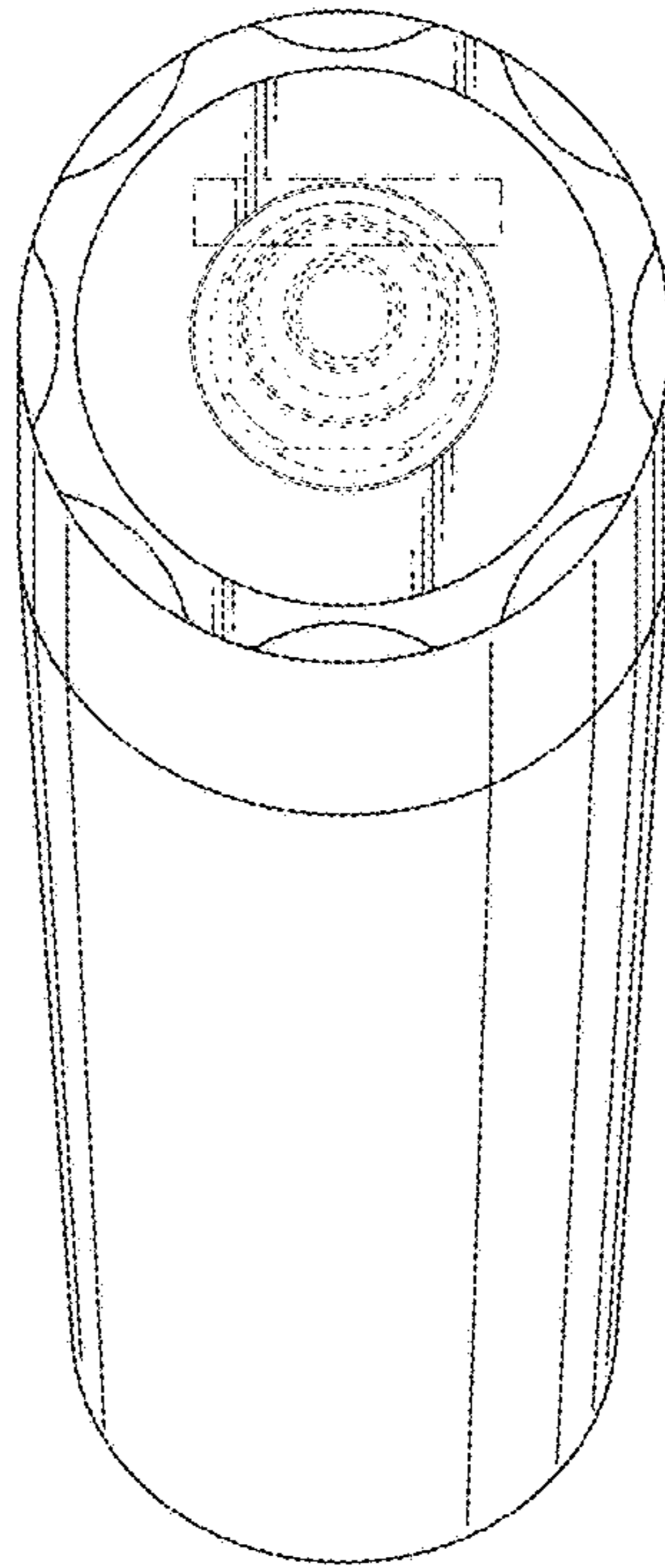


FIG. 9

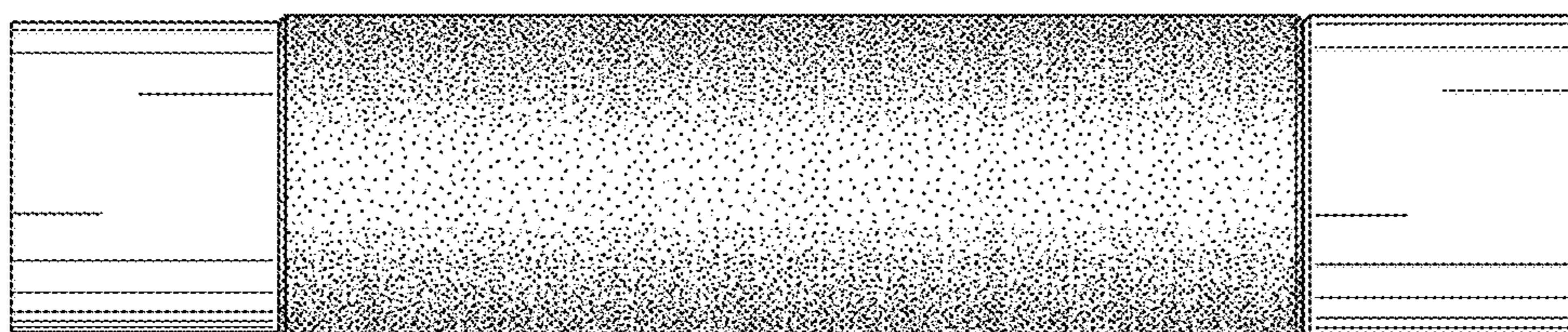


FIG. 8

