



US00D855798S

(12) **United States Design Patent** (10) **Patent No.:** **US D855,798 S**  
**Amano** (45) **Date of Patent:** **\*\* Aug. 6, 2019**

(54) **OPERATING UNIT FOR LITHOTRIPSY HANDPIECE**

(71) Applicant: **OLYMPUS CORPORATION**,  
Hachioji-shi, Tokyo (JP)

(72) Inventor: **Hirotooshi Amano**, Tokyo (JP)

(73) Assignee: **OLYMPUS CORPORATION**, Tokyo  
(JP)

(\*\*) Term: **15 Years**

(21) Appl. No.: **29/597,547**

(22) Filed: **Mar. 17, 2017**

(30) **Foreign Application Priority Data**

Sep. 21, 2016 (JP) ..... 2016-020340

(51) **LOC (12) Cl.** ..... **24-02**

(52) **U.S. Cl.**  
USPC ..... **D24/127**

(58) **Field of Classification Search**  
USPC ..... D24/127-131, 112-114, 133, 186;  
606/181, 185; 604/264, 523-528, 272,  
604/187, 158, 164.01-164.11, 181, 184,  
604/227; 600/101, 139, 143;  
128/200.24, 207.14, 207.15

CPC ... A61B 18/26; A61B 17/22; A61B 17/22022;  
A61M 25/065; A61M 5/42; A61M  
25/0612; A61M 25/00; A61M 39/00;  
A61M 27/00; A61M 25/0043; A61M  
25/0067; A61M 25/0097; A61F 2/958  
See application file for complete search history.

(56) **References Cited**

**U.S. PATENT DOCUMENTS**

5,348,023 A \* 9/1994 McLucas ..... A61B 10/0291  
30/325  
5,746,736 A \* 5/1998 Tankovich ..... A61B 18/0218  
606/10

D442,280 S \* 5/2001 Crawford ..... D24/130  
D604,840 S \* 11/2009 Crawford ..... D24/130  
9,168,099 B2 \* 10/2015 St. George ..... A61B 1/00066  
9,282,985 B2 \* 3/2016 Finkman ..... A61B 18/245  
9,539,015 B2 \* 1/2017 Ismay ..... A61D 1/00  
9,566,673 B2 \* 2/2017 Pham ..... A61B 17/32056  
9,579,114 B2 \* 2/2017 Mantell ..... A61B 17/22022  
9,636,124 B2 \* 5/2017 Mantell ..... A61B 17/22022  
9,775,674 B2 \* 10/2017 Schaeffer ..... A61B 17/22012  
9,907,616 B1 \* 3/2018 Fried ..... A61B 18/26  
10,004,521 B2 \* 6/2018 Shelton ..... A61B 17/2202

\* cited by examiner

*Primary Examiner* — David G Muller

(74) *Attorney, Agent, or Firm* — Oliff PLC

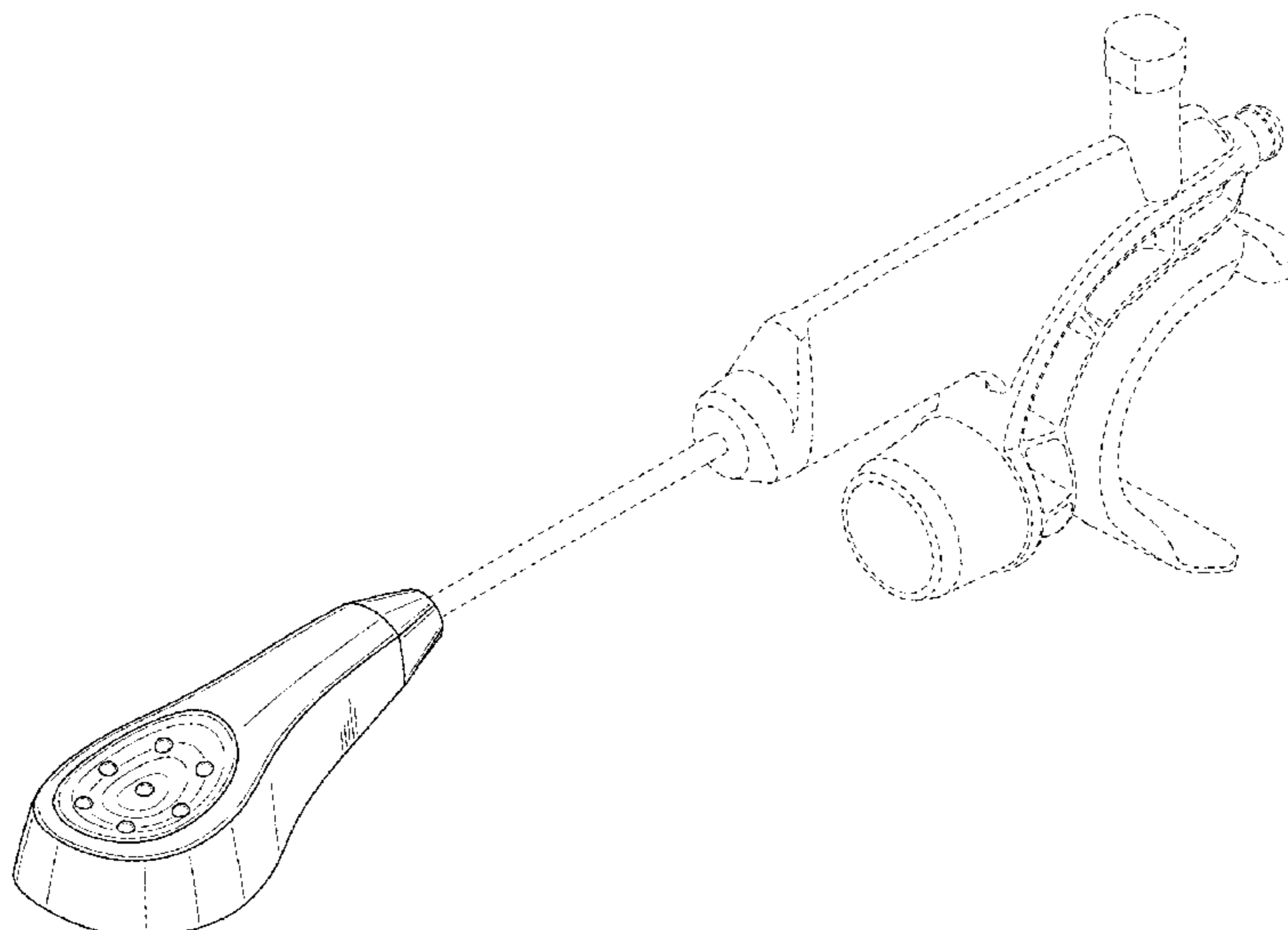
(57) **CLAIM**

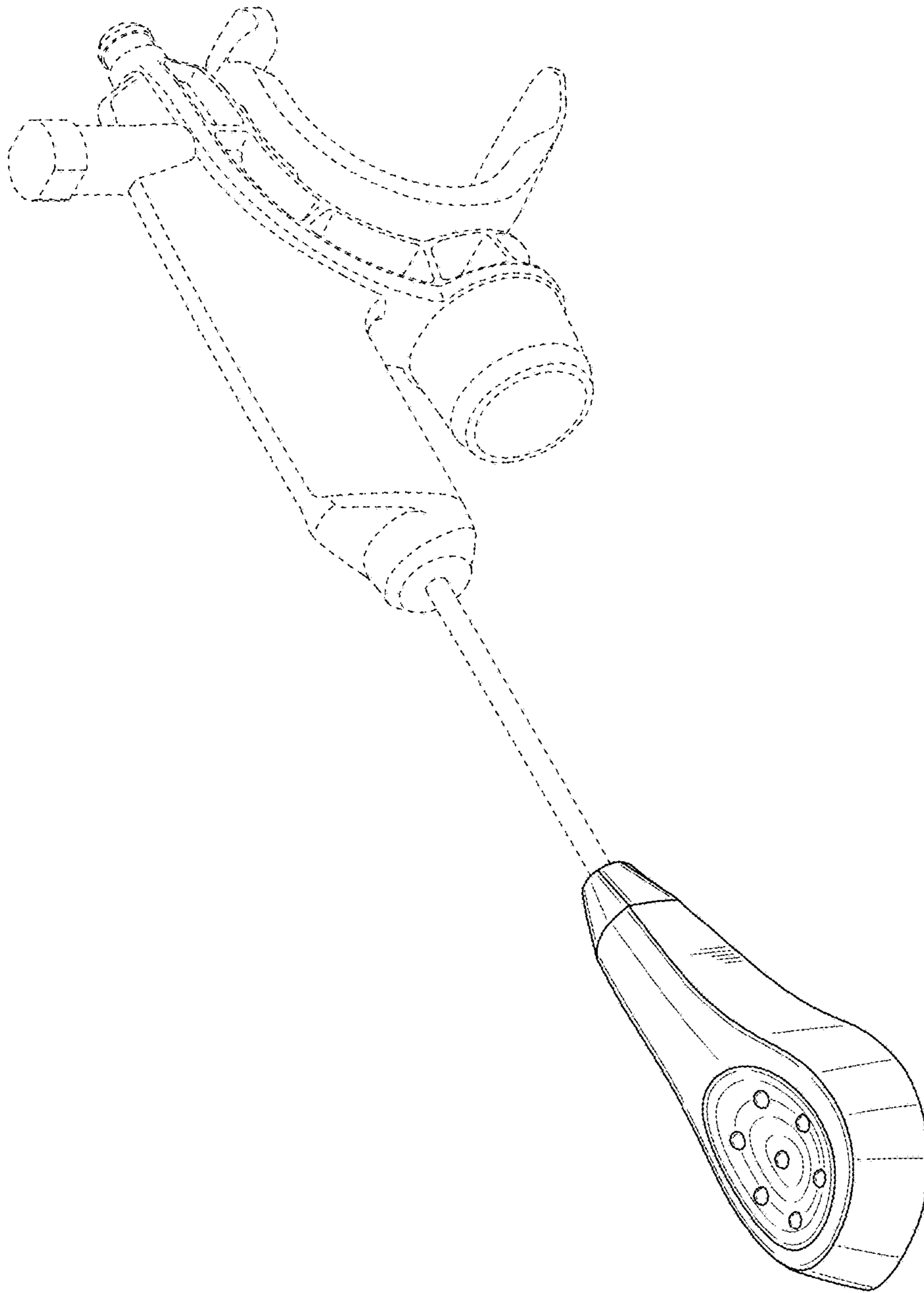
The ornamental design for an operating unit for lithotripsy handpiece, as shown and described.

**DESCRIPTION**

FIG. 1 is a perspective view of an operating unit for lithotripsy handpiece, showing my new design;  
FIG. 2 is a front view thereof;  
FIG. 3 is a rear view thereof;  
FIG. 4 is a top view thereof;  
FIG. 5 is a bottom view thereof;  
FIG. 6 is a left side view thereof;  
FIG. 7 is a right side view thereof;  
FIG. 8 is a cross sectional view thereof, taken along the line 8-8 in FIG. 2;  
FIG. 9 is an end view thereof, taken along the line 9-9 in FIG. 2; and,  
FIG. 10 is a front view showing the moved knob.  
The broken lines showing the remainder thereof are for environmental purposes only and form no part of the claimed design.

**1 Claim, 6 Drawing Sheets**





*Fig. 1*

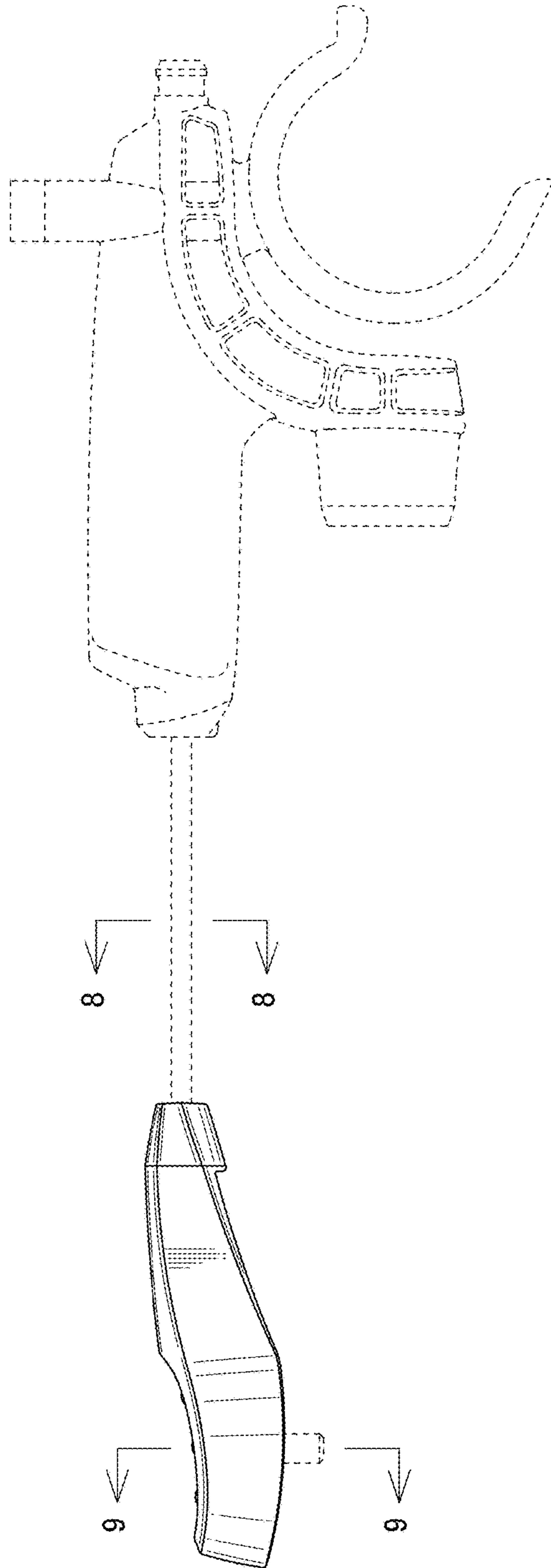
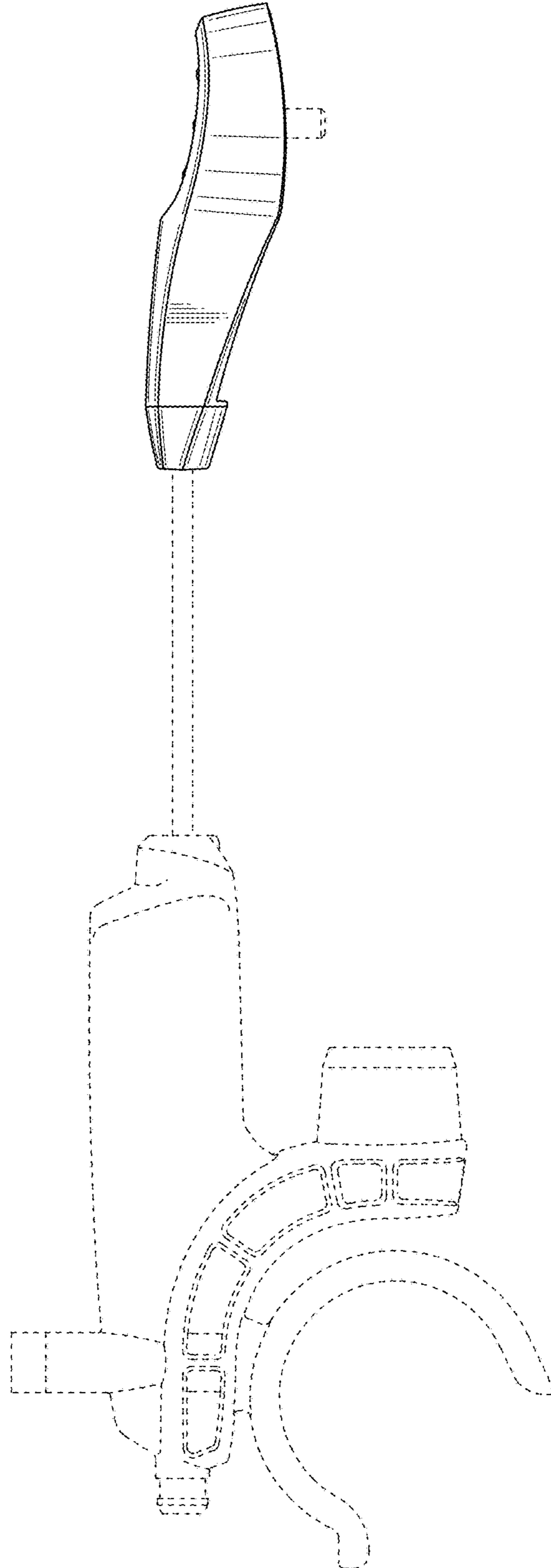
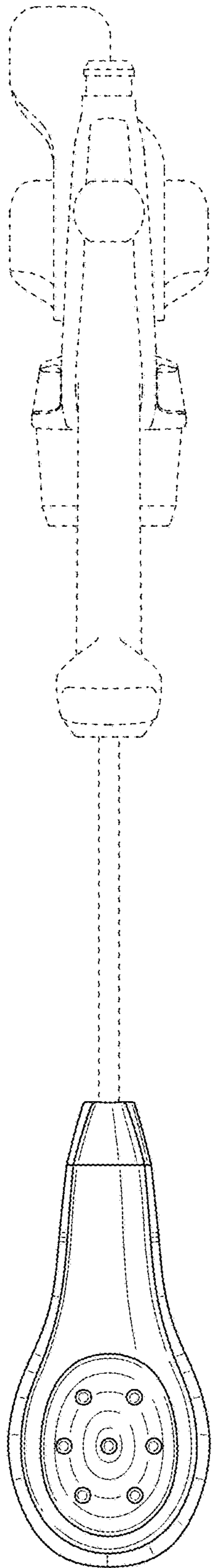


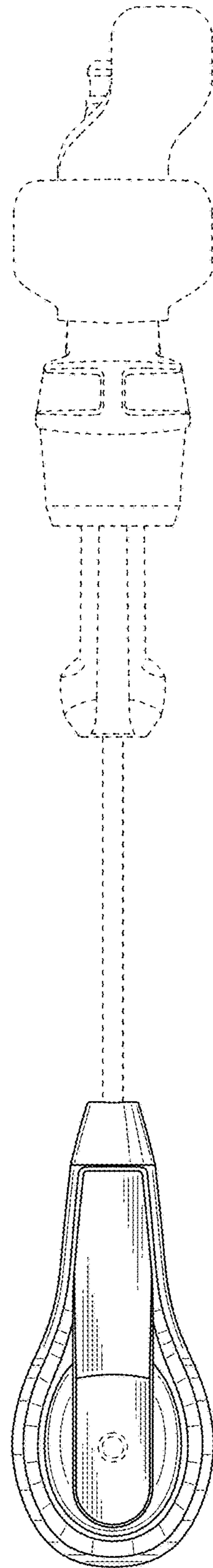
Fig. 2



*Fig. 3*



*Fig. 4*



*Fig. 5*

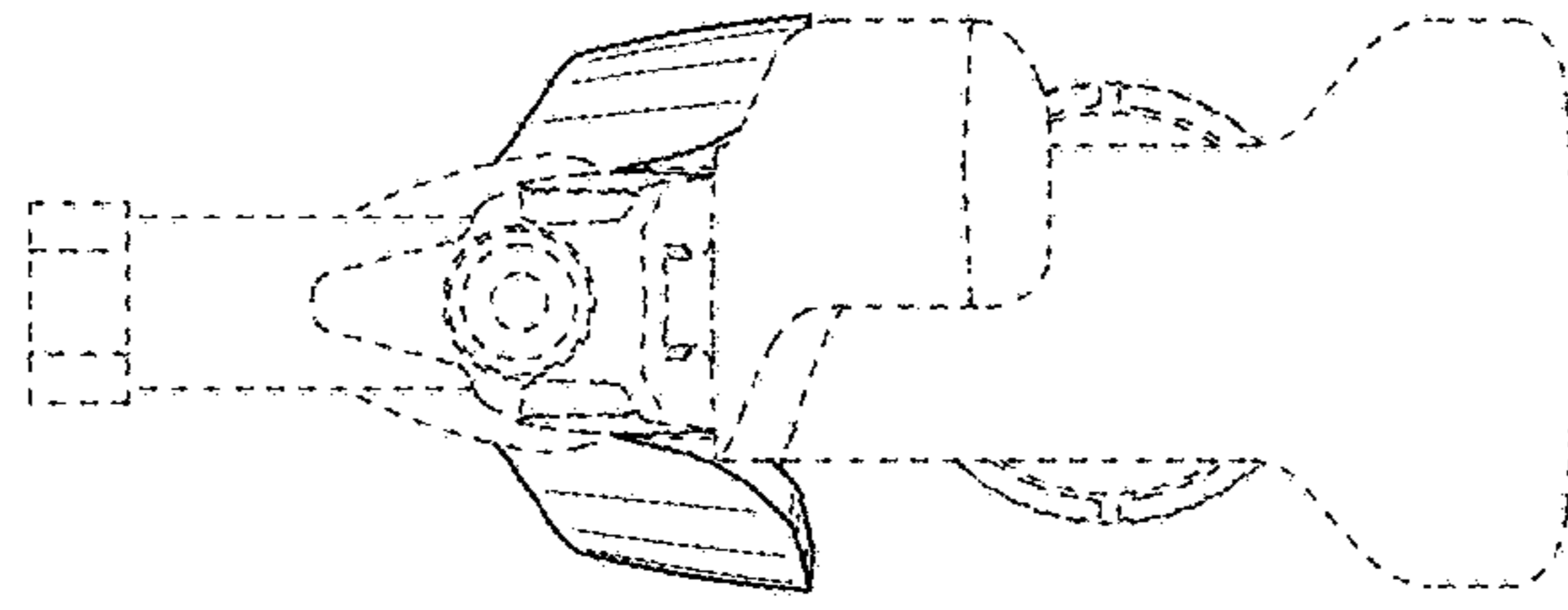


Fig. 7

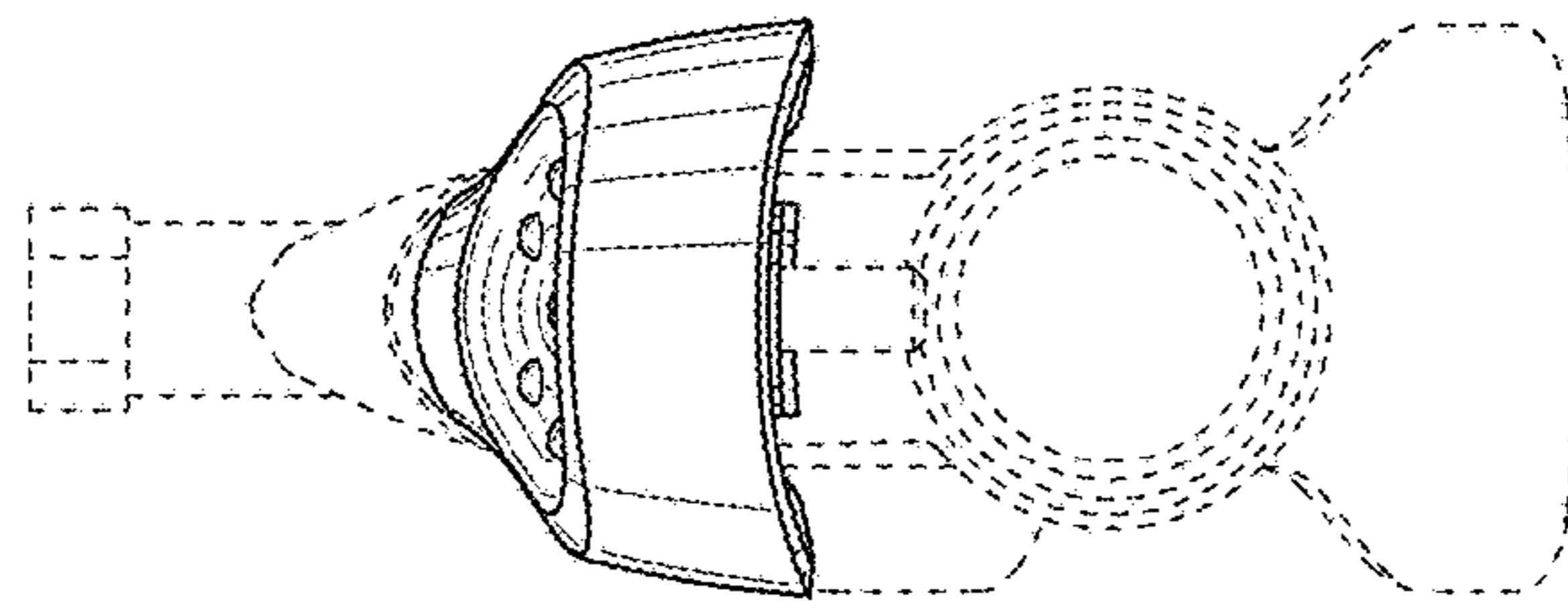


Fig. 6

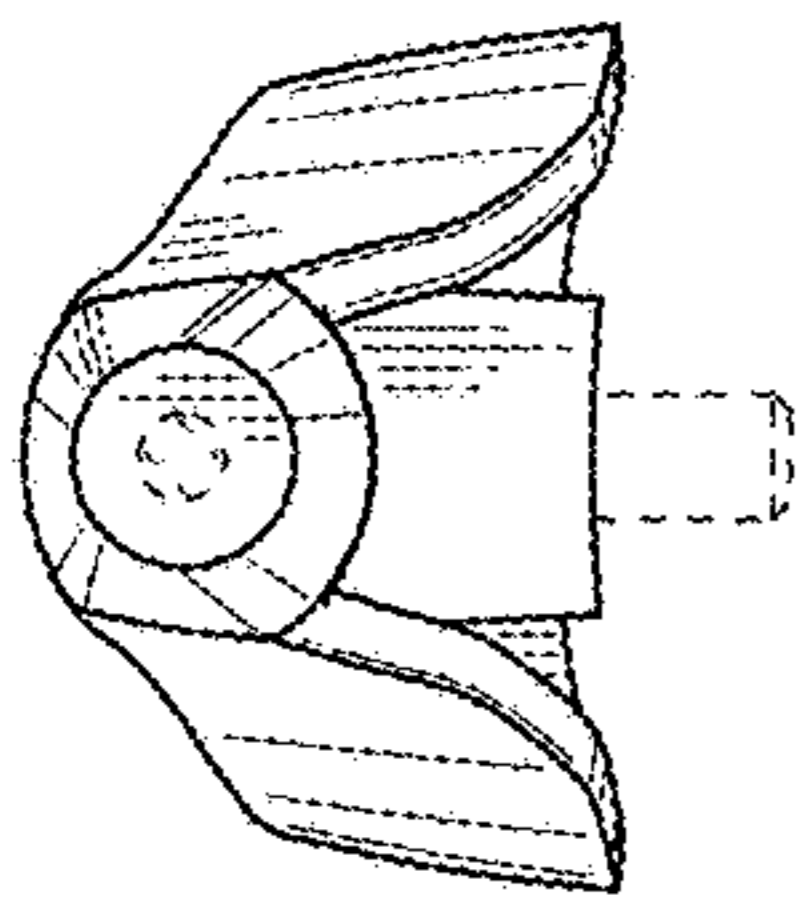


Fig. 8

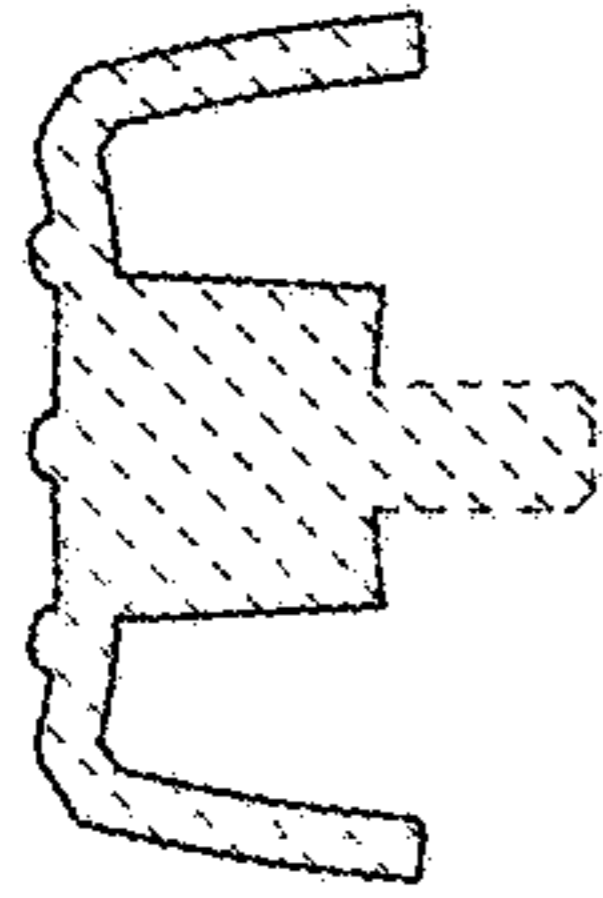


Fig. 9

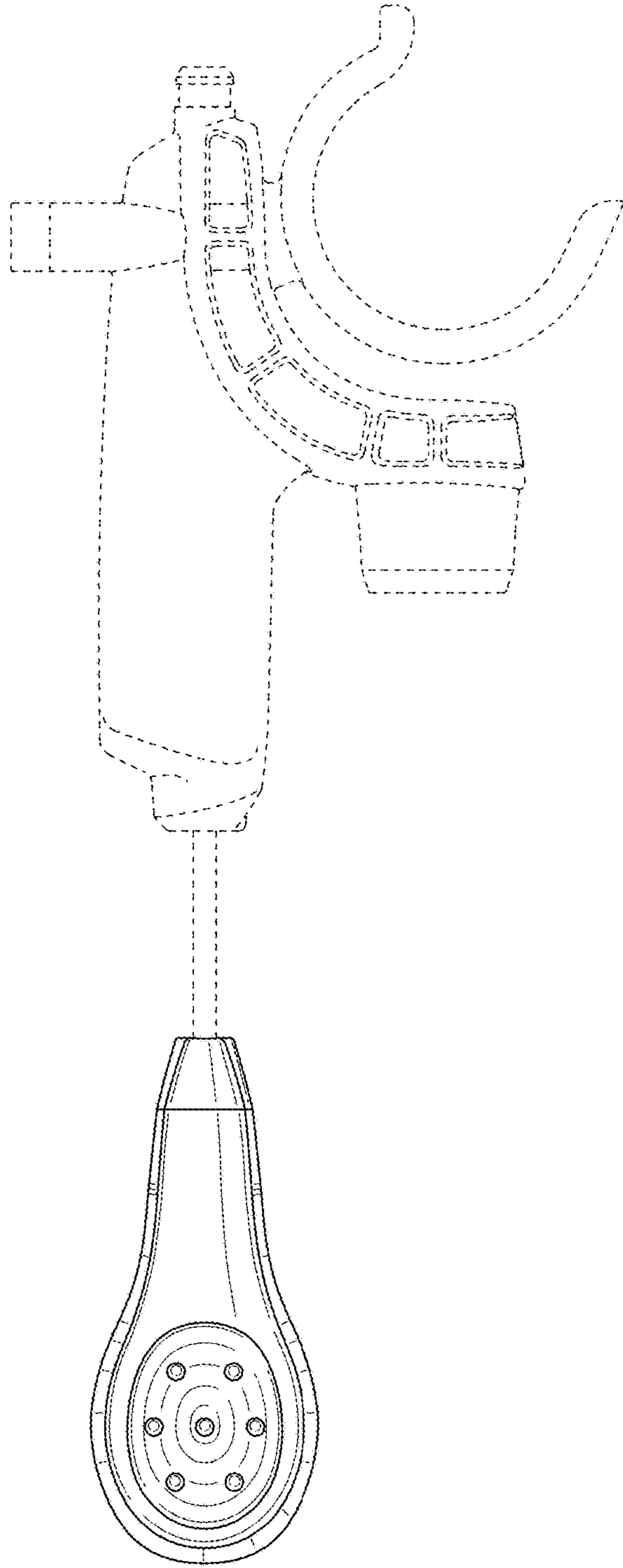


Fig. 10