



US00D855795S

(12) **United States Design Patent** (10) **Patent No.:** **US D855,795 S**  
**Ritter, III et al.** (45) **Date of Patent:** **\*\* Aug. 6, 2019**

(54) **REUSABLE T-PIECE RESUSCITATOR**

(71) Applicant: **MERCURY ENTERPRISES, INC.**,  
Clearwater, FL (US)

(72) Inventors: **James Russell Ritter, III**, Largo, FL  
(US); **Jeffrey B. Ratner**, Pinellas Park,  
FL (US); **George E. Howe, Jr.**, Largo,  
FL (US)

(73) Assignee: **Mercury Enterprises, Inc.**, Clearwater,  
FL (US)

(\*\*) Term: **15 Years**

(21) Appl. No.: **29/642,062**

(22) Filed: **Mar. 27, 2018**

(51) **LOC (12) Cl.** ..... **29-02**

(52) **U.S. Cl.**

USPC ..... **D24/110.6; D24/129**

(58) **Field of Classification Search**

USPC ... **D24/110, 110.4, 110.5, 110.6, 129, 110.1,**  
**D24/108**

CPC ..... **A61M 16/06; A61M 16/0816; A61M**  
**16/0683; A61M 16/0825; A61M 16/0622;**  
**A61M 16/0633; A61M 16/0833; A61M**  
**16/0616; A61M 16/08; A61M 2202/0208;**  
**A61M 16/0875; A61M 16/208; A61M**  
**16/0084; A61M 16/0078; A61M 16/20;**  
**A61M 16/209**

See application file for complete search history.

(56) **References Cited**

**U.S. PATENT DOCUMENTS**

- 2,865,368 A \* 12/1958 Sanborn ..... A61M 16/00  
128/204.25
- D234,637 S 3/1975 Flynn
- 4,121,580 A \* 10/1978 Fabish ..... A61M 16/12  
128/205.11
- D300,270 S 3/1989 Rudolph et al.

- D300,271 S 3/1989 Rudolph et al.
- D300,272 S 3/1989 Rudolph et al.
- D305,814 S 1/1990 Fangrow, Jr.
- D355,030 S 1/1995 Baldwin
- 5,557,049 A 9/1996 Ratner
- D395,500 S 6/1998 Ryder
- D436,050 S \* 1/2001 Ratner ..... D10/94
- 6,709,403 B1 3/2004 Ratner
- 6,854,334 B2 \* 2/2005 Ratner ..... A61B 5/09  
600/532
- 7,051,596 B1 5/2006 Lau et al.
- 7,341,059 B2 3/2008 Moody et al.
- D672,454 S 12/2012 Howe, Jr. et al.
- 8,522,618 B1 \* 9/2013 Ratner ..... G01L 7/084  
600/487
- D748,773 S \* 2/2016 Ritter, III ..... D24/110.6
- 9,402,781 B2 \* 8/2016 Ritter, III ..... A61H 31/005

(Continued)

*Primary Examiner* — Lilyana Bekic

(74) *Attorney, Agent, or Firm* — Larson & Larson, P.A.;  
Frank Liebenow; Justin P. Miller

(57) **CLAIM**

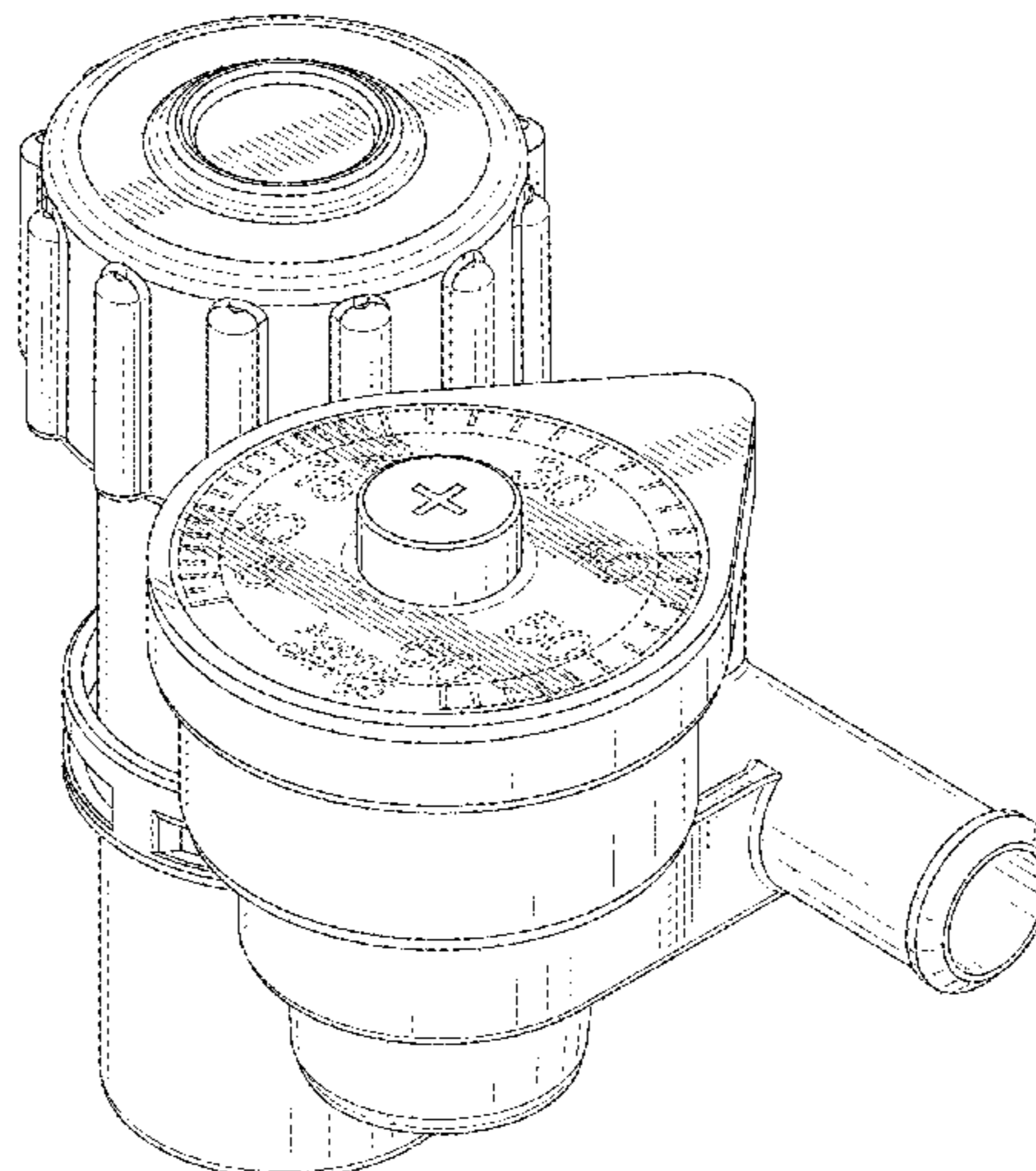
The ornamental design for a reusable T-piece resuscitator, as shown and described.

**DESCRIPTION**

FIG. 1 is a rear, right side perspective view of a reusable T-piece resuscitator showing our new design;  
FIG. 2 is a rear, left side perspective view thereof;  
FIG. 3 is a left side elevation view thereof;  
FIG. 4 is a right side elevation view thereof;  
FIG. 5 is a top plan view thereof;  
FIG. 6 is a bottom plan view thereof;  
FIG. 7 is a rear elevation view thereof; and,  
FIG. 8 is a front elevation view thereof.

The broken lines in FIG. 6 depict portions of the reusable T-piece resuscitator that form no part of the claimed design. The broken lines in FIGS. 1, 2, and 5 depict environment and form no part of the claimed design.

**1 Claim, 8 Drawing Sheets**



(56)

**References Cited**

U.S. PATENT DOCUMENTS

9,511,202 B1 \* 12/2016 Ratner ..... A61M 16/14  
2004/0144179 A1 \* 7/2004 Ratner ..... A61B 5/09  
73/715  
2006/0156823 A1 \* 7/2006 Lau ..... A61M 16/0078  
73/716  
2010/0206310 A1 \* 8/2010 Matsubara ..... A61M 16/208  
128/205.24  
2012/0222677 A1 \* 9/2012 Lee ..... A61M 16/0078  
128/205.14  
2013/0074842 A1 \* 3/2013 Boucher ..... A61M 16/16  
128/203.16  
2014/0060543 A1 \* 3/2014 Howe, Jr. .... A61M 16/10  
128/205.24  
2015/0352001 A1 \* 12/2015 Ritter, III ..... A61H 31/005  
601/41  
2016/0346500 A1 \* 12/2016 Howe, Jr. .... A61M 16/209

\* cited by examiner

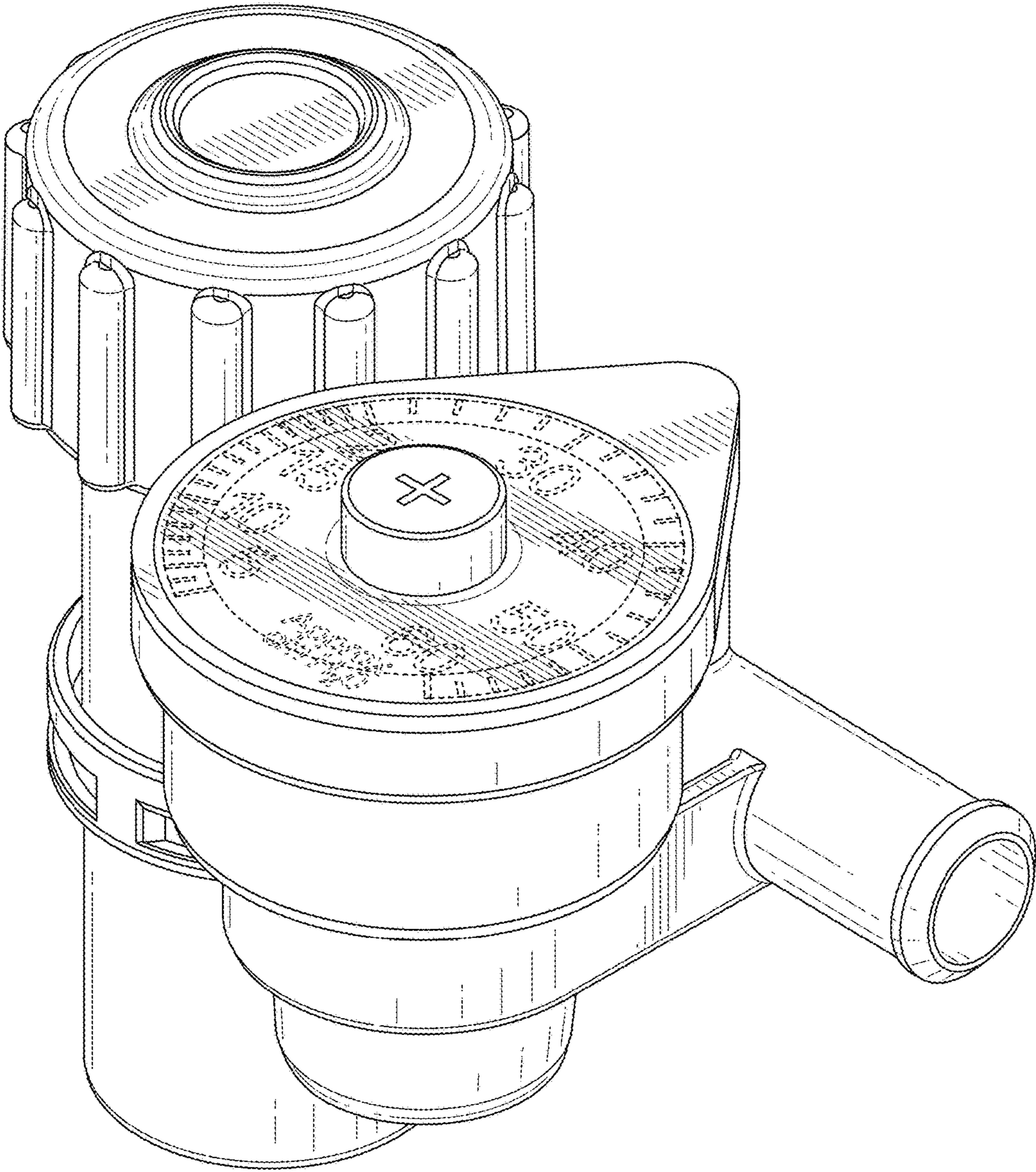


FIG. 1



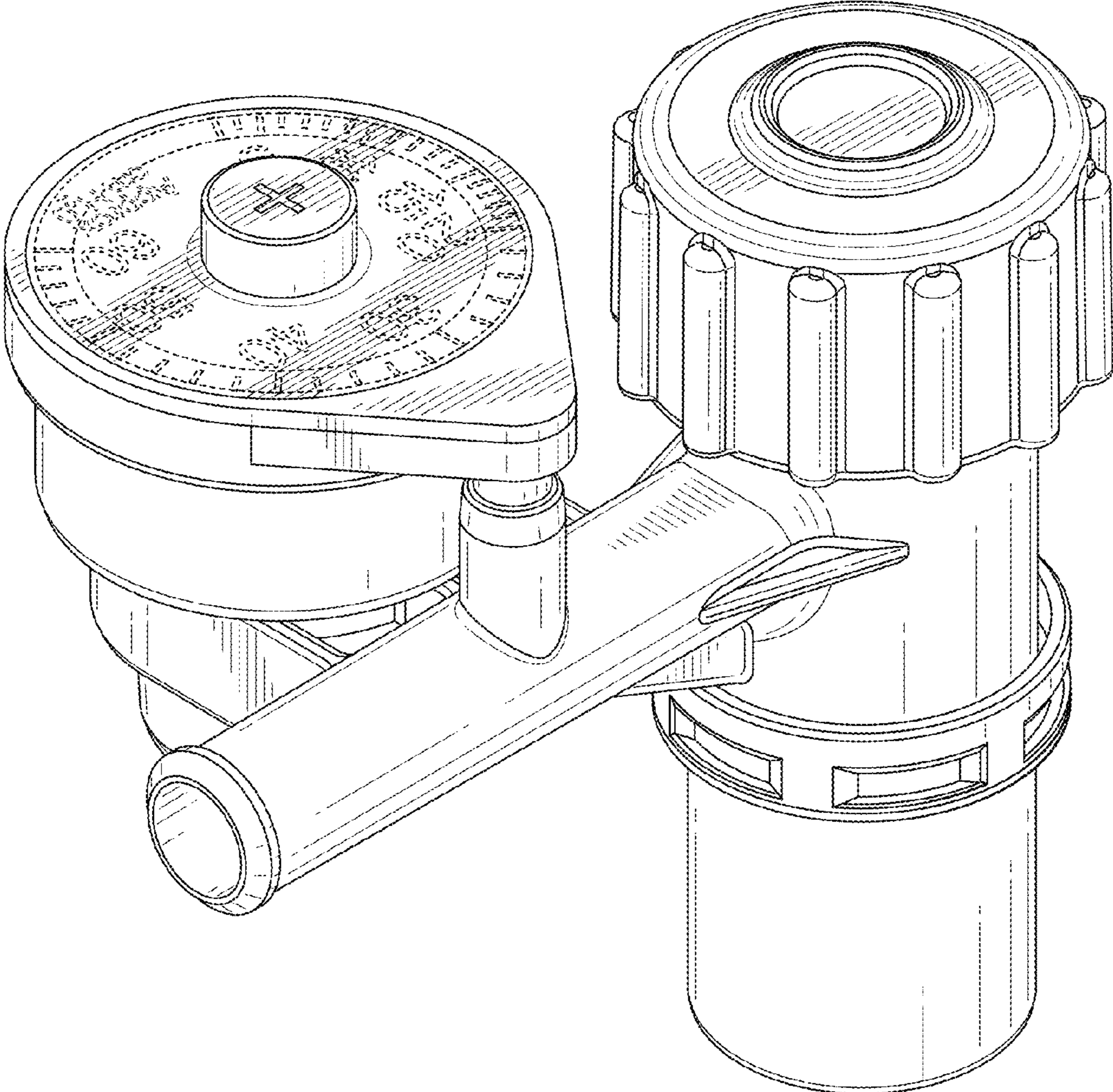


FIG. 2

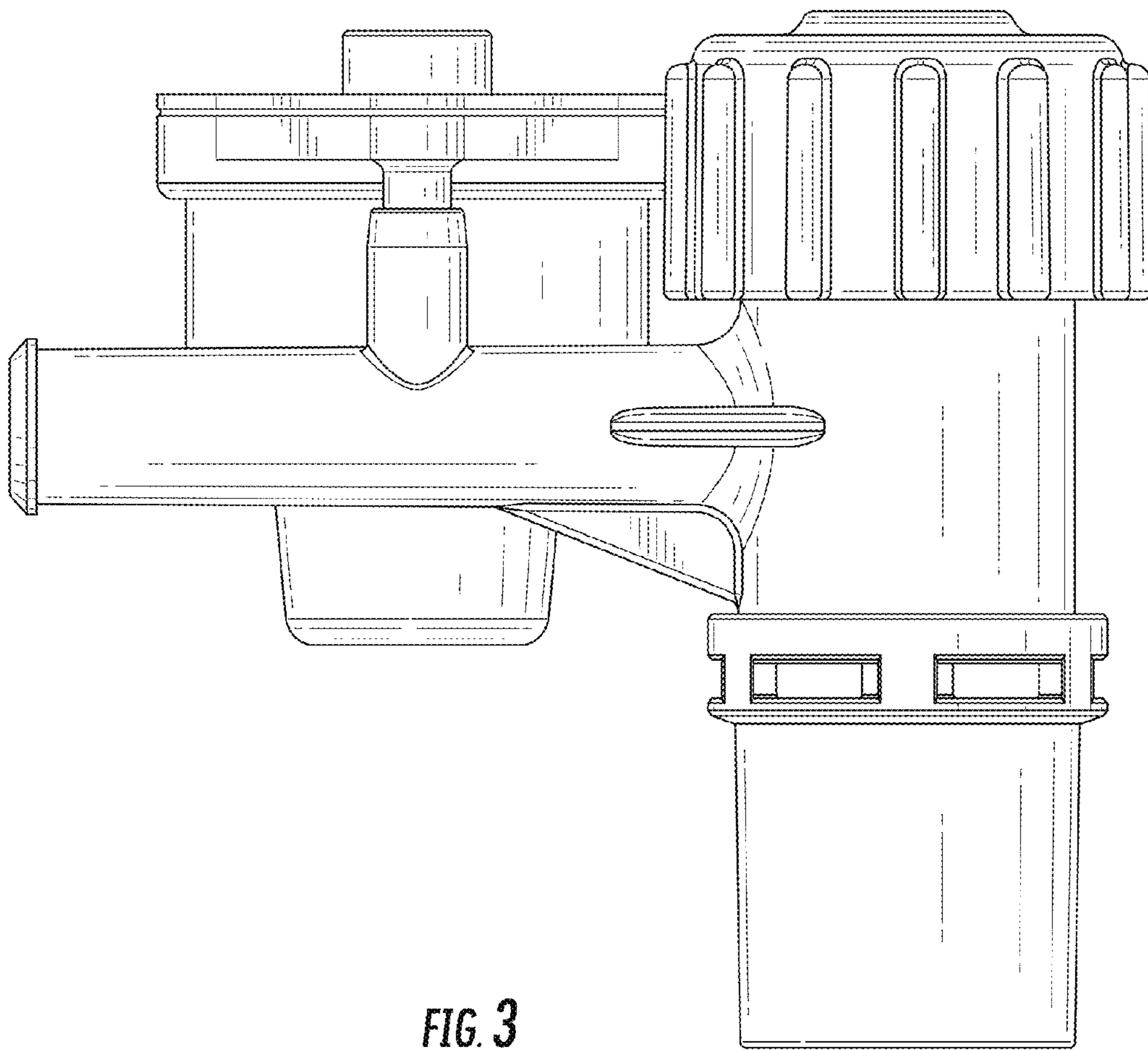


FIG. 3

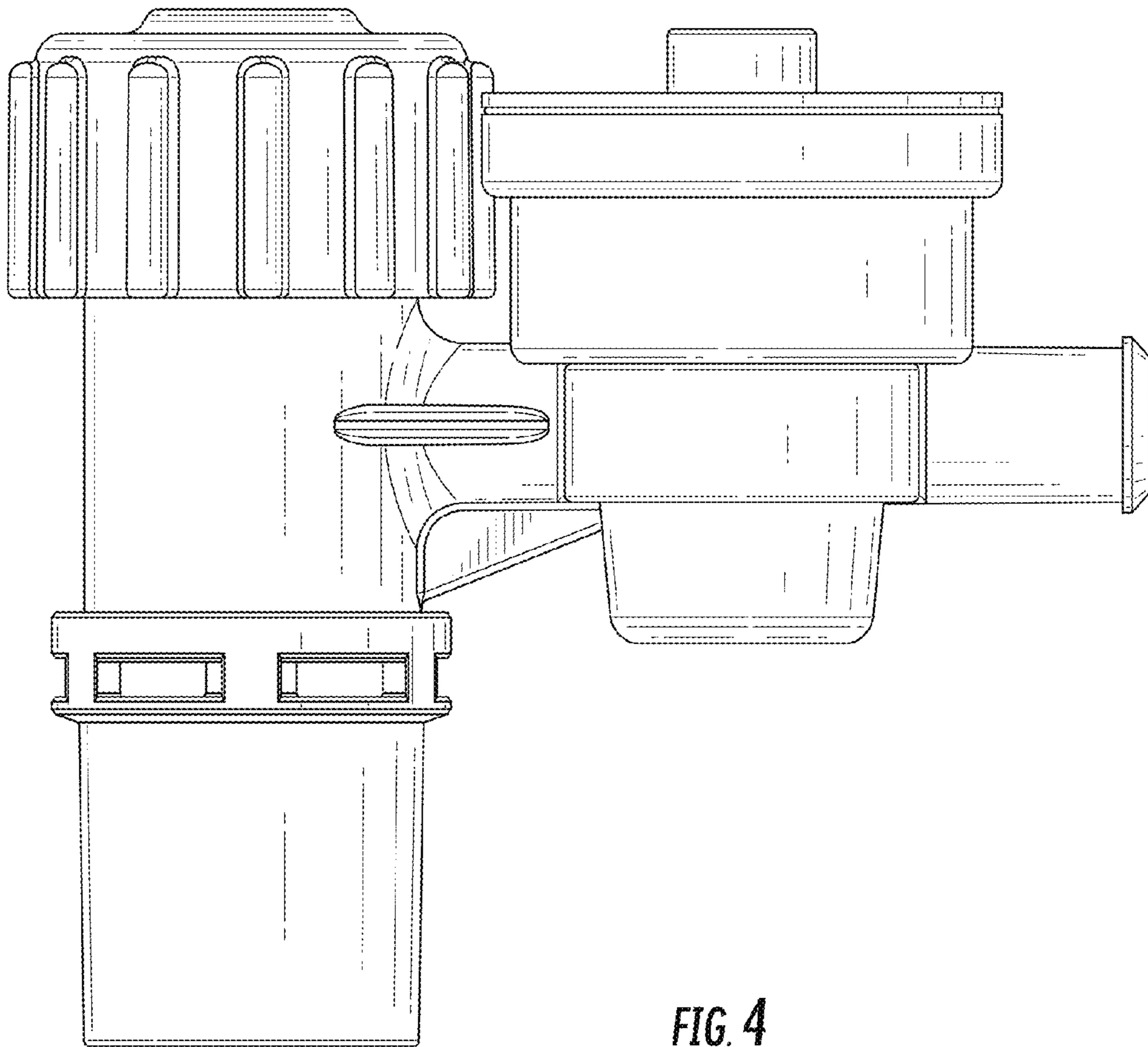


FIG. 4

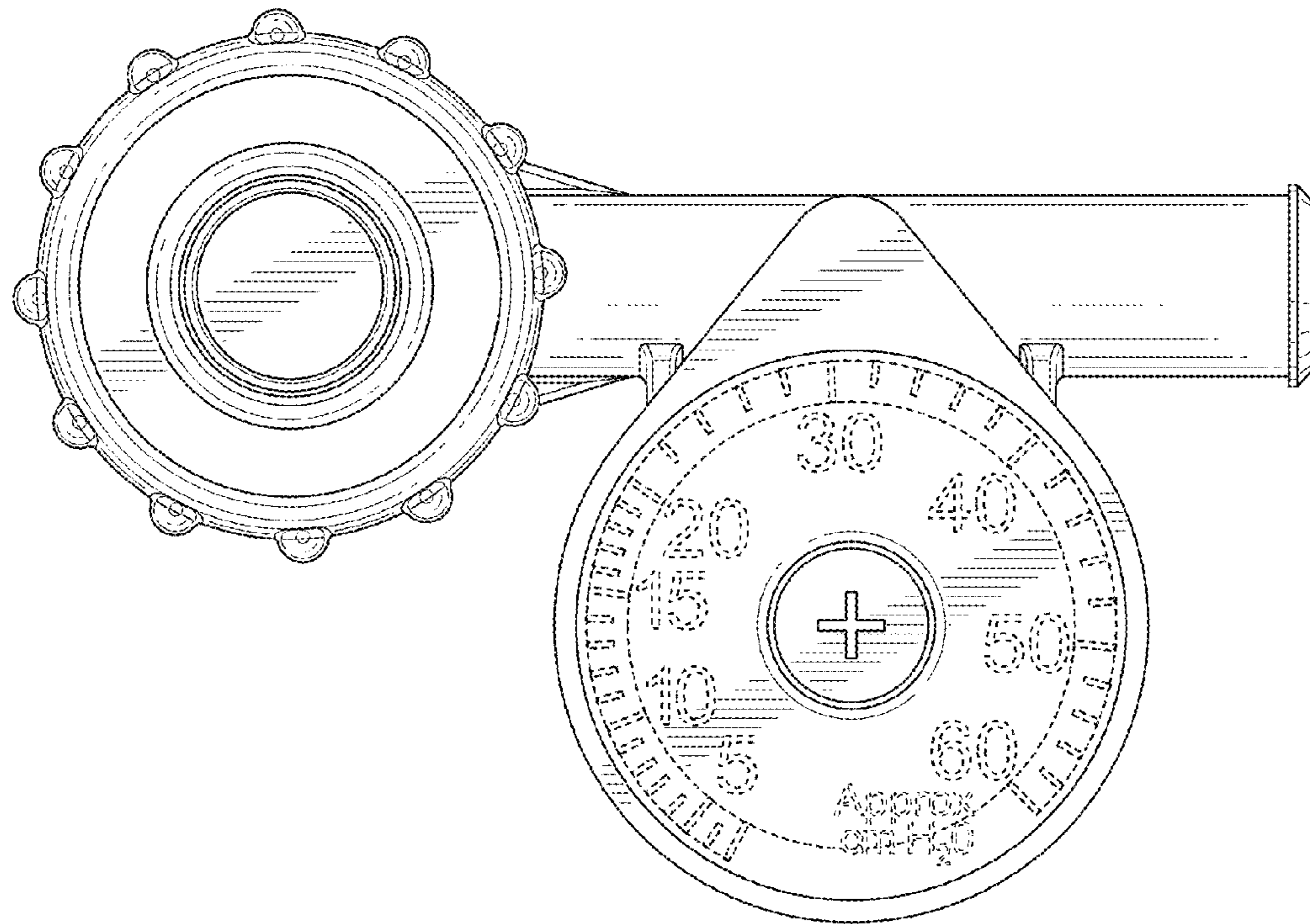


FIG. 5



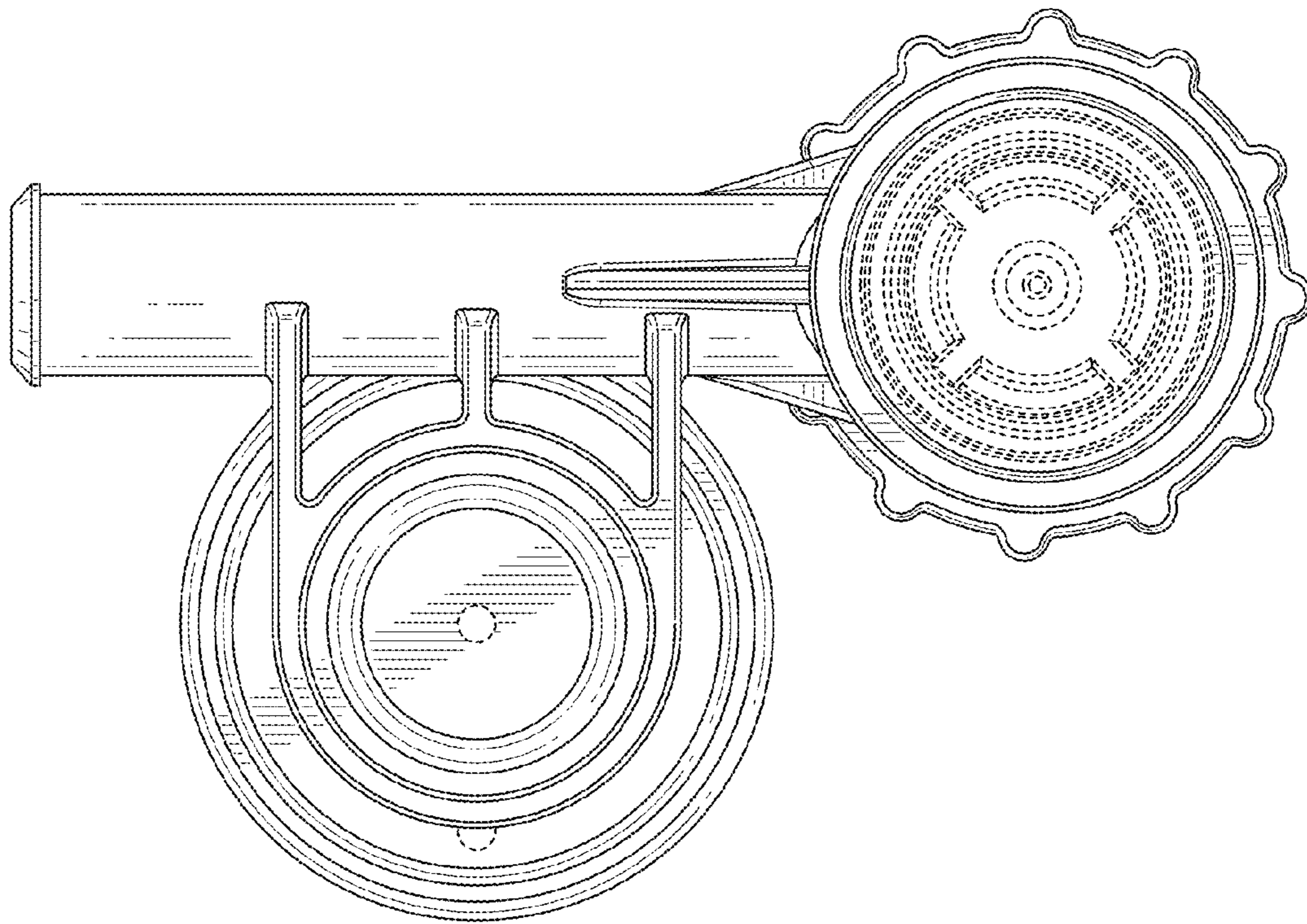


FIG. 6



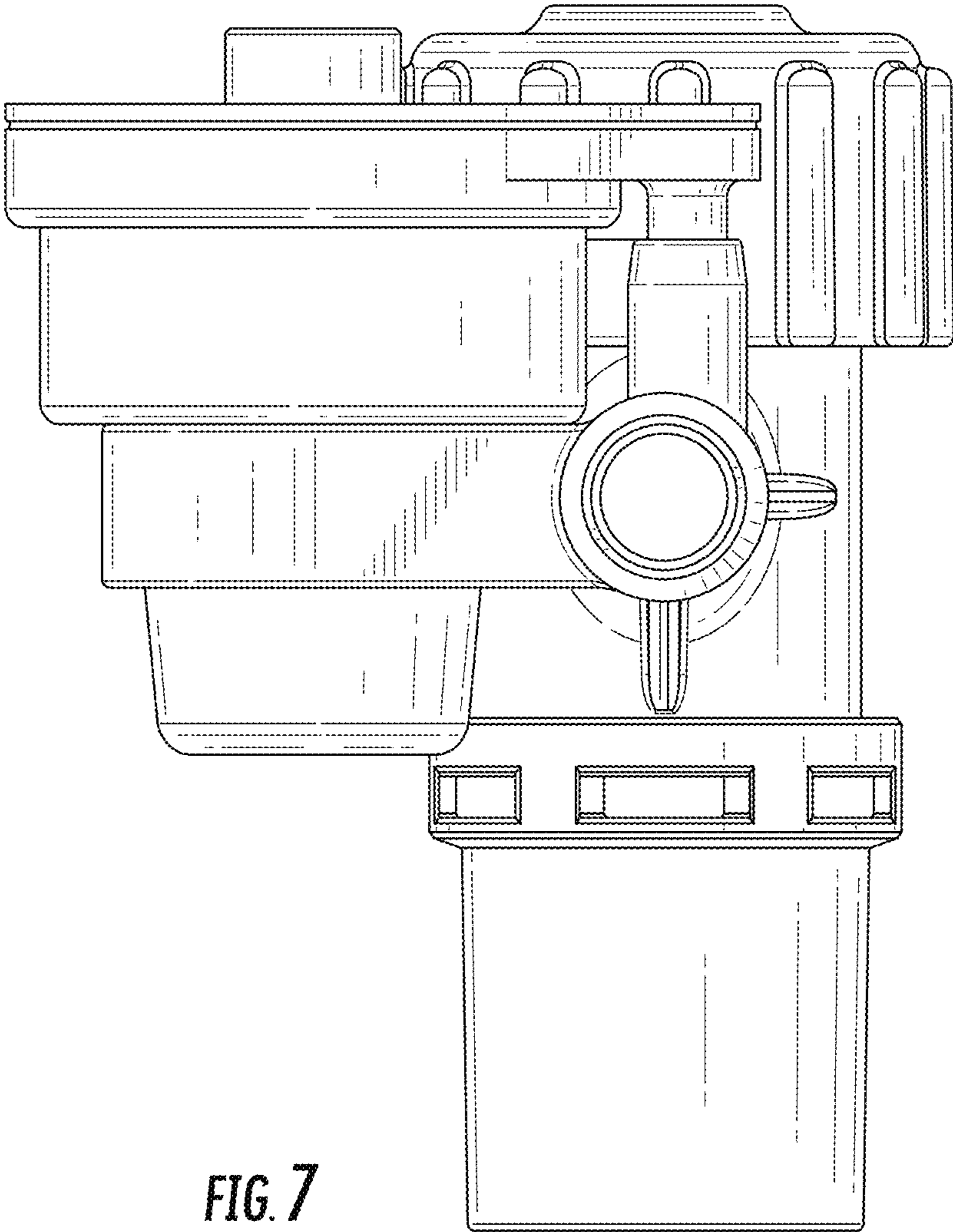
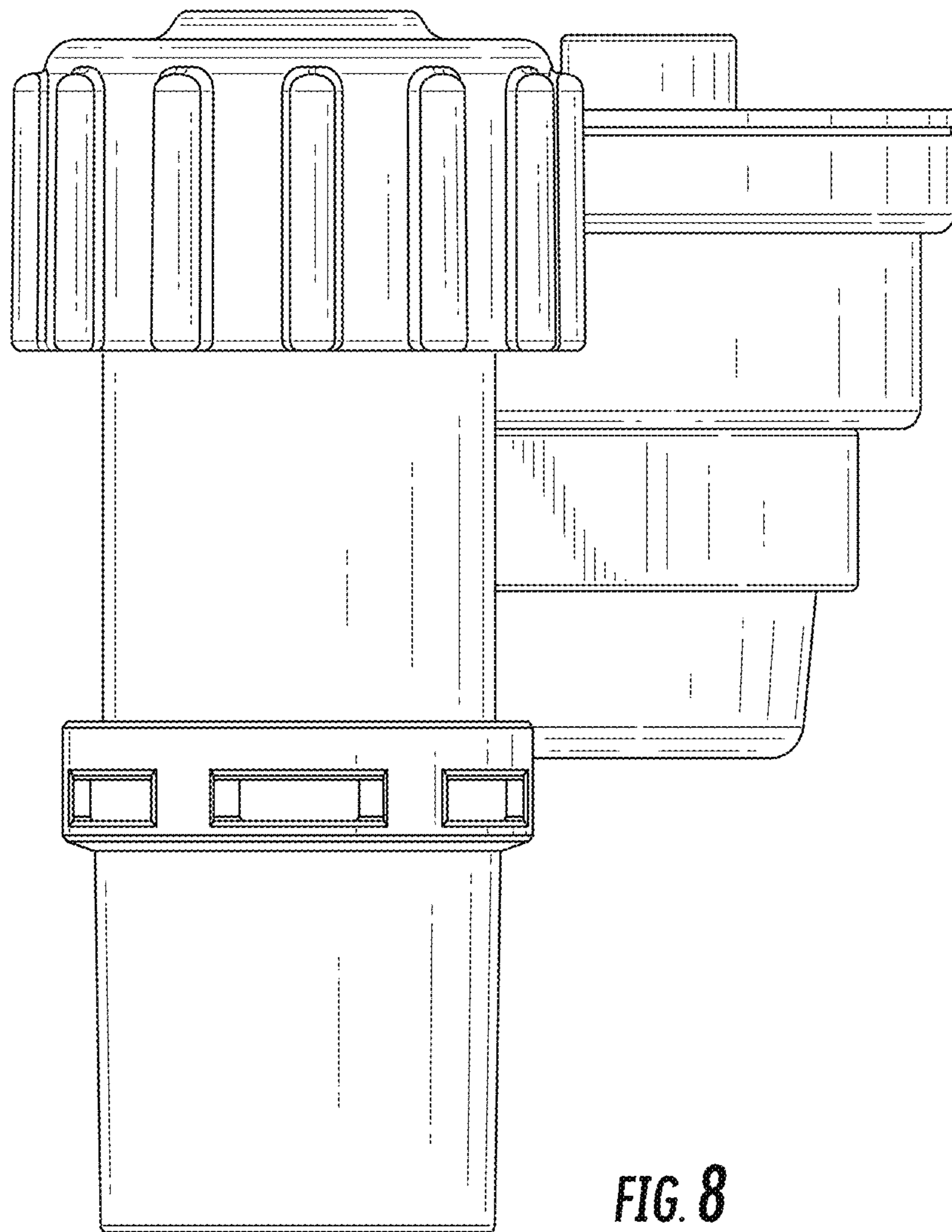


FIG. 7



**FIG. 8**