



US00D855793S

(12) **United States Design Patent** (10) **Patent No.:** **US D855,793 S**
Gordon et al. (45) **Date of Patent:** **** Aug. 6, 2019**

(54) **FRAME FOR A NASAL MASK**

(71) Applicant: **Fisher & Paykel Healthcare Limited**,
Auckland (NZ)

(72) Inventors: **Callum Ross Gordon**, Auckland (NZ);
Ryan Anthony Graham, Auckland
(NZ); **Bruno Sintive**, Auckland (NZ);
Mark Andrew Thompson, Auckland
(NZ); **Amit Galgali**, Auckland (NZ);
Vicky Dan Gao, Auckland (NZ);
Cameron Robert Willis, Auckland
(NZ); **Jake Baker Hocking**, Auckland
(NZ); **Priyanka Ferdinand Pereira**,
Auckland (NZ)

3,040,741 A 6/1962 Carolan
3,042,035 A 7/1962 George
3,065,747 A 11/1962 Charles
3,079,917 A 3/1963 Godfrey
3,295,529 A 1/1967 Stephen et al.
3,530,031 A 9/1970 Loew
3,792,702 A 2/1974 Delest
3,815,596 A 6/1974 Keener et al.
3,824,999 A 7/1974 King
3,850,168 A 11/1974 Ferguson et al.
3,850,171 A 11/1974 Ball et al.
4,033,353 A 7/1977 La Rosa
4,454,880 A 6/1984 Muto et al.
4,480,639 A 11/1984 Peterson et al.
4,513,896 A 4/1985 Hirsch
4,753,233 A 6/1988 Grimes
4,915,105 A 4/1990 Lee

(Continued)

(73) Assignee: **Fisher & Paykel Healthcare Limited**,
Auckland (NZ)

FOREIGN PATENT DOCUMENTS

(**) Term: **15 Years**

AU 2005/100738 11/2005
EP 1057494 12/2000

(Continued)

(21) Appl. No.: **29/618,347**

Primary Examiner — Lilyana Bekic

(22) Filed: **Sep. 20, 2017**

(74) *Attorney, Agent, or Firm* — Knobbe, Martens, Olson
& Bear, LLP

(51) **LOC (12) Cl.** **29-02**

(52) **U.S. Cl.**
USPC **D24/110.4**

(58) **Field of Classification Search**
USPC D24/110, 110.1, 110.4–110.6, 127
CPC A61M 16/0622; A61M 16/0616; A61M
16/06; A61M 16/0666; A61M 16/0683
See application file for complete search history.

(57) **CLAIM**

The ornamental design for a frame for a nasal mask, as shown and described.

(56) **References Cited**

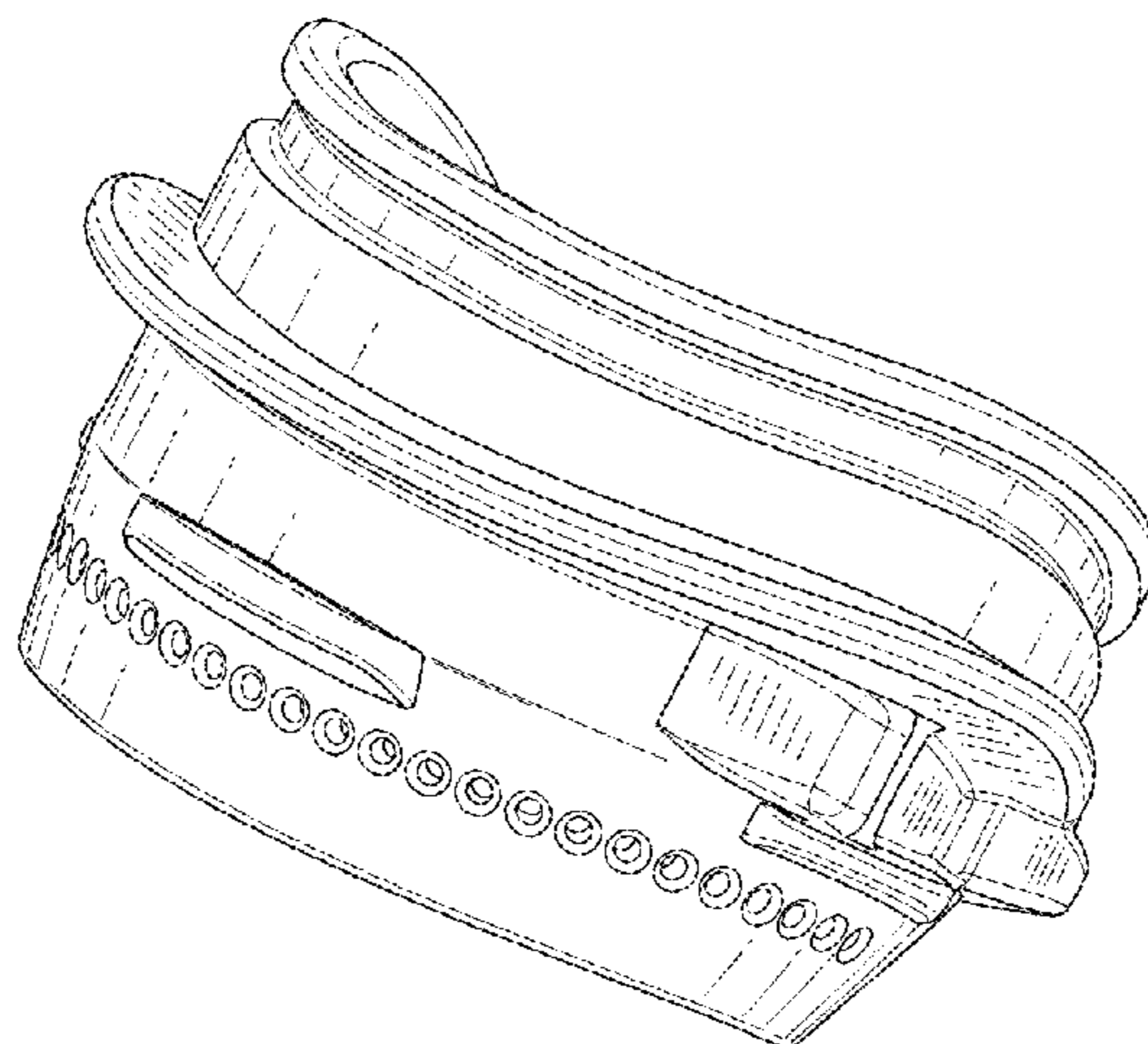
U.S. PATENT DOCUMENTS

1,610,793 A 12/1926 Leo
2,353,643 A 7/1944 Bulbulian
2,452,722 A 11/1948 Boothby et al.
2,620,794 A 12/1952 George
2,970,593 A 2/1961 Seeler

DESCRIPTION

FIG. 1 is a top, front and right side perspective view of a frame for a nasal mask showing our new design;
FIG. 2 is a front view thereof;
FIG. 3 is a rear view thereof;
FIG. 4 is a left side view thereof;
FIG. 5 is a right side view thereof;
FIG. 6 is a top view thereof; and,
FIG. 7 is a bottom view thereof.

1 Claim, 7 Drawing Sheets



(56)

References Cited

U.S. PATENT DOCUMENTS

2016/0287830 A1* 10/2016 Walls A61M 16/0683
 2018/0304036 A1* 10/2018 Huang A61M 16/0666
 2019/0030272 A1* 1/2019 Graham A61M 16/0683

FOREIGN PATENT DOCUMENTS

EP 1488820 12/2004
 EP 1163923 12/2011
 EP 2444113 4/2012
 EP 2481435 8/2012
 GB 377926 8/1932
 GB 823887 11/1959
 GB 826198 12/1959
 GB 880942 10/1961
 GB 974960 11/1964
 GB 1049604 11/1966
 GB 2367757 4/2002
 WO WO 1993/021788 11/1993
 WO WO 1997/000092 1/1997
 WO WO 1997/048432 12/1997

WO WO 2002/11804 2/2002
 WO WO2004/073778 9/2004
 WO WO 2005/094928 10/2005
 WO WO 2008/007985 1/2008
 WO WO 2009/026627 3/2009
 WO WO 2009/052560 4/2009
 WO WO 2009/144695 12/2009
 WO WO 2010/131189 11/2010
 WO WO 2011/062510 5/2011
 WO WO 2011/142678 11/2011
 WO WO 2012/028995 3/2012
 WO WO 2012/045127 4/2012
 WO WO 2012/052902 4/2012
 WO WO 2012/055886 5/2012
 WO WO 2013/006065 1/2013
 WO WO 2013/071359 5/2013
 WO WO 2013/170290 11/2013
 WO WO 2014/015382 1/2014
 WO WO 2014/015383 1/2014
 WO WO 2014/110626 7/2014
 WO WO 2014110622 7/2014
 WO WO 2014/124323 8/2014
 WO WO 2015/070289 5/2015

* cited by examiner

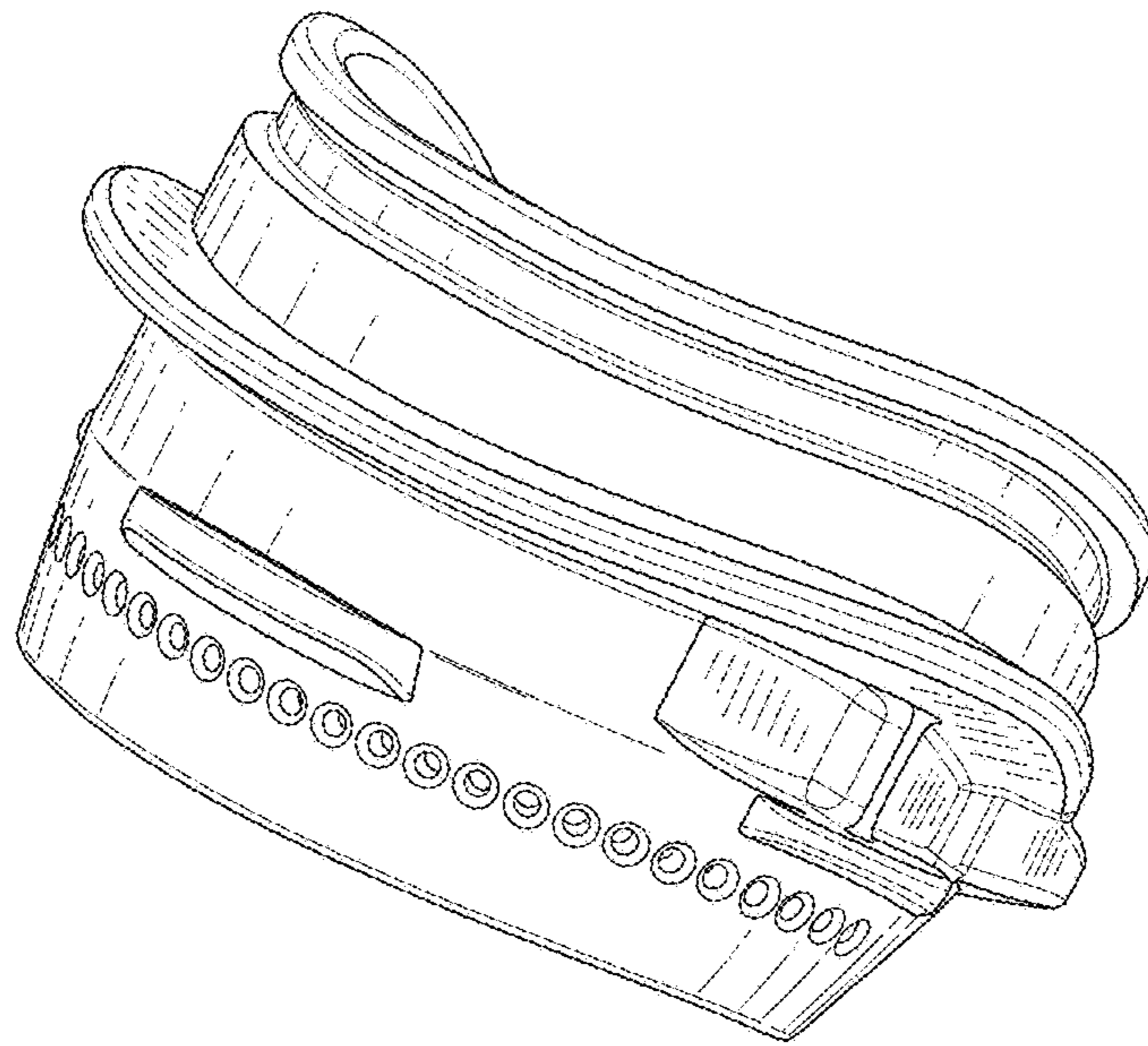


FIGURE 1

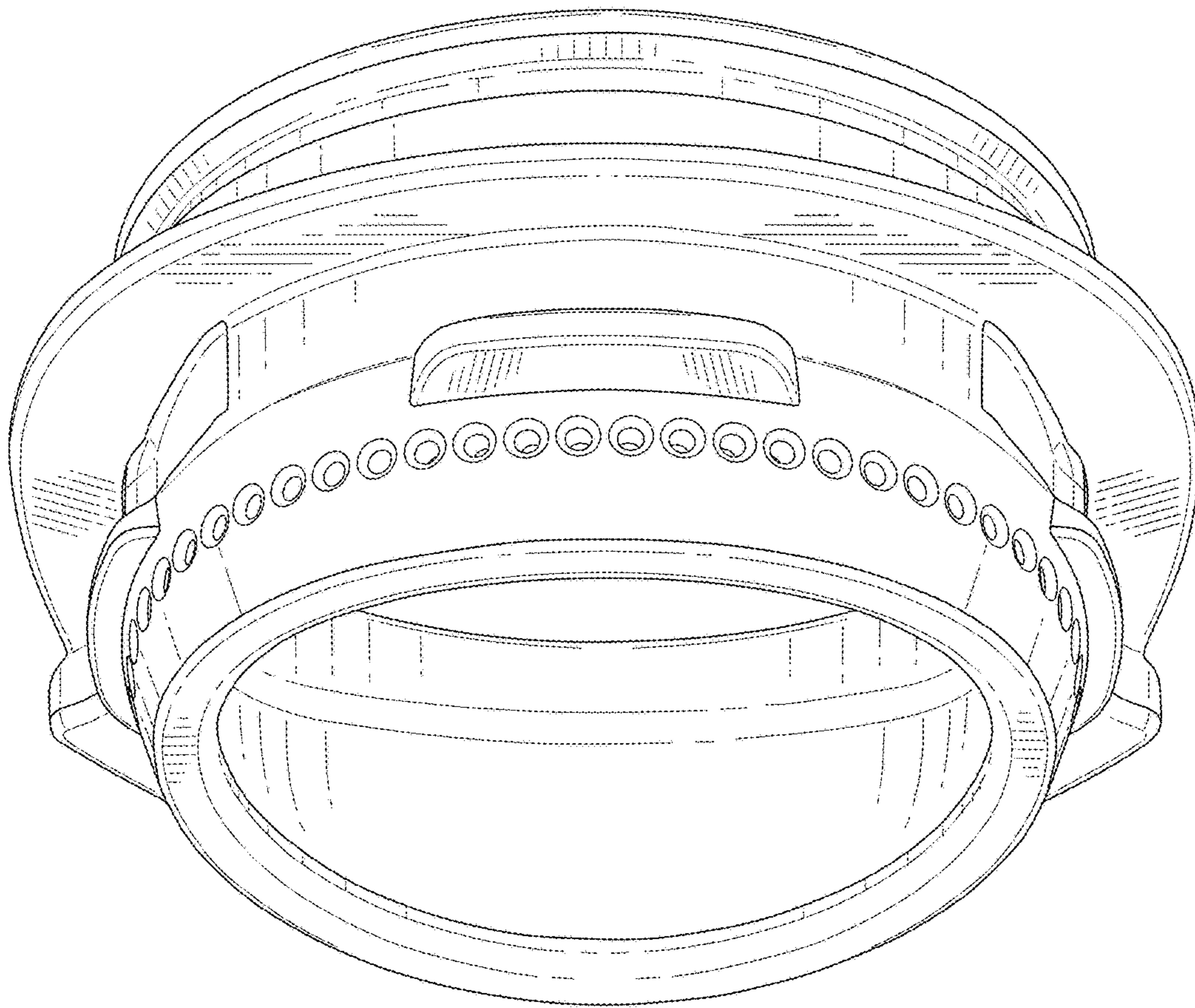


FIGURE 2

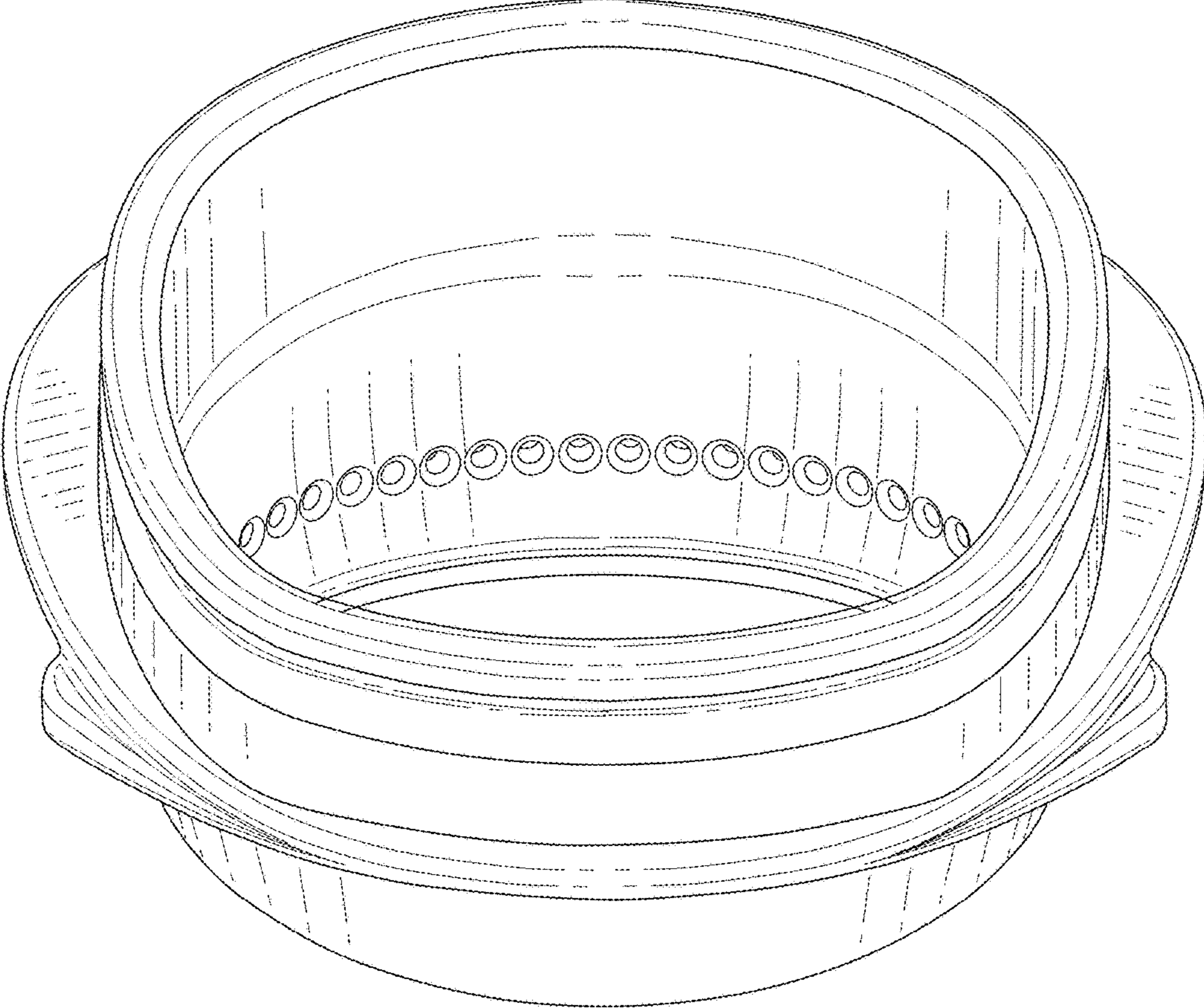


FIGURE 3

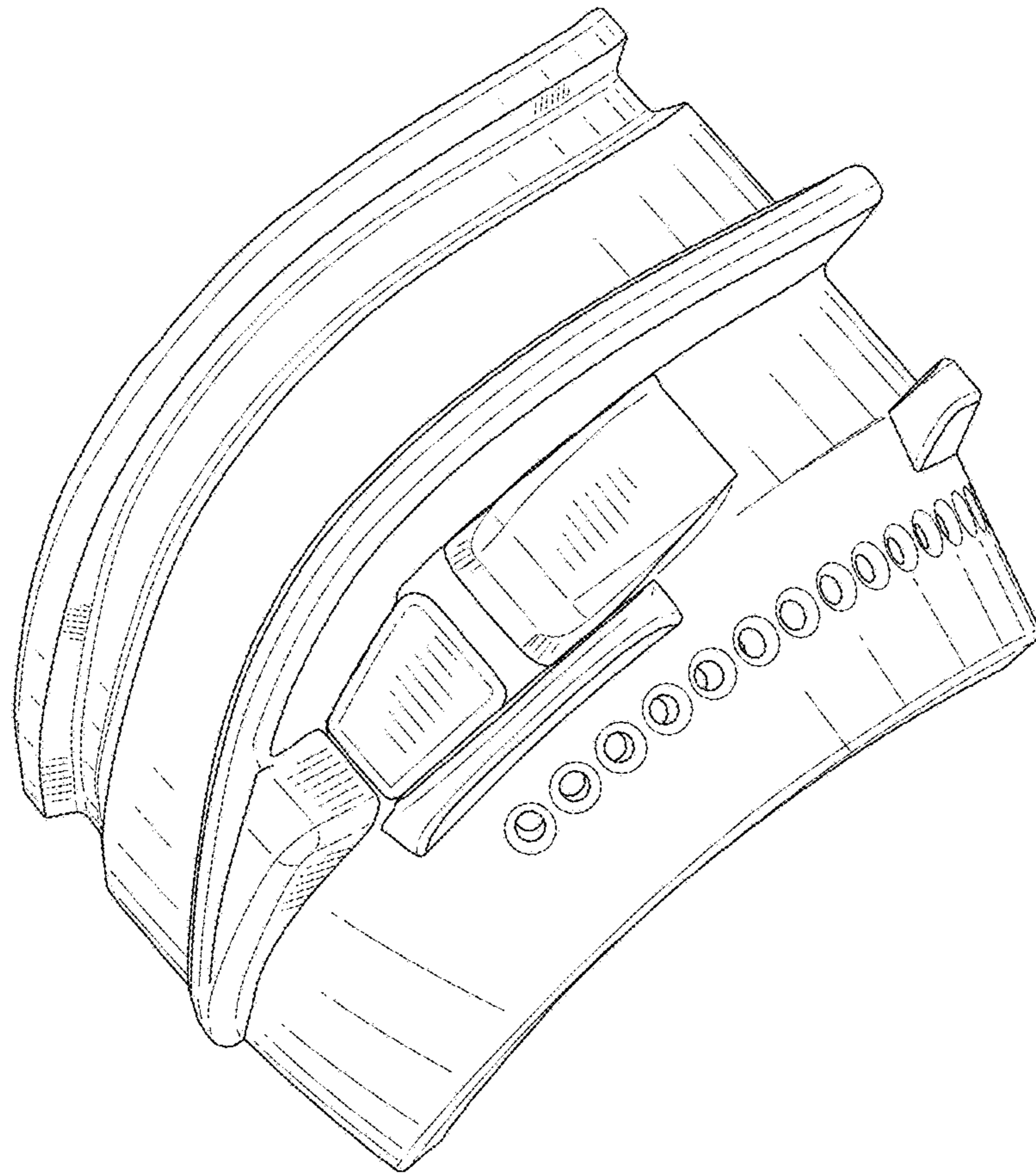


FIGURE 4

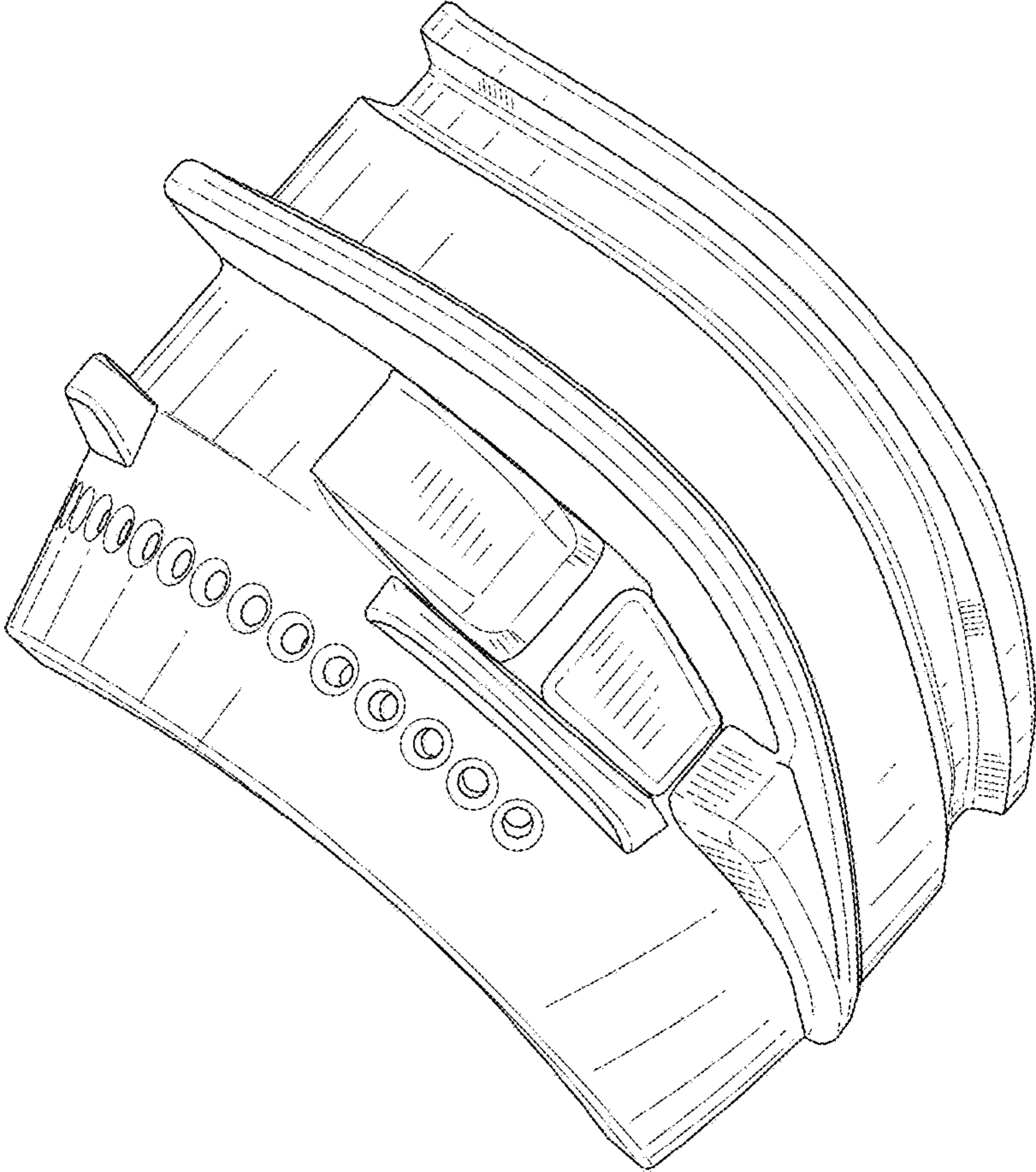


FIGURE 5

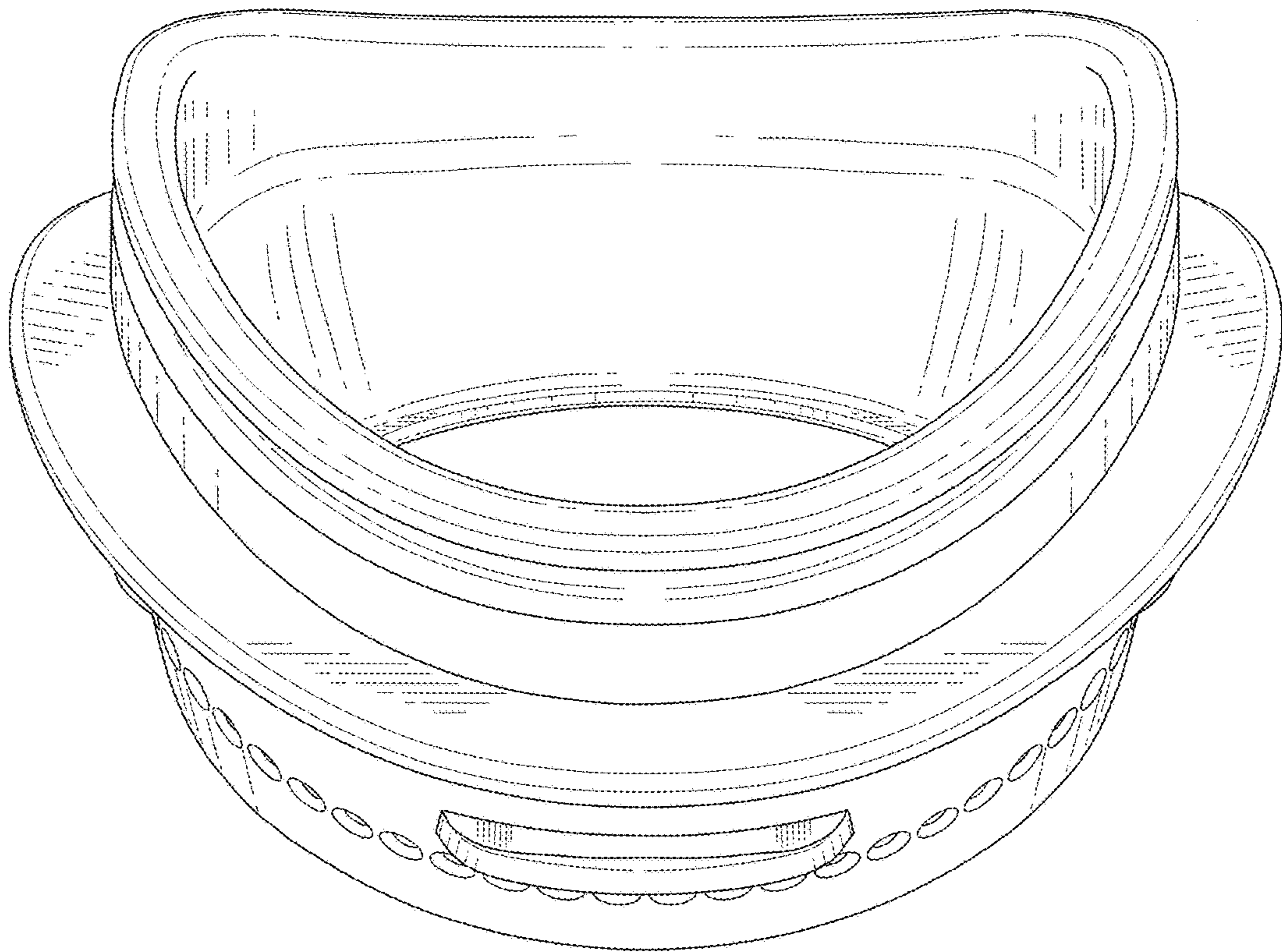


FIGURE 6

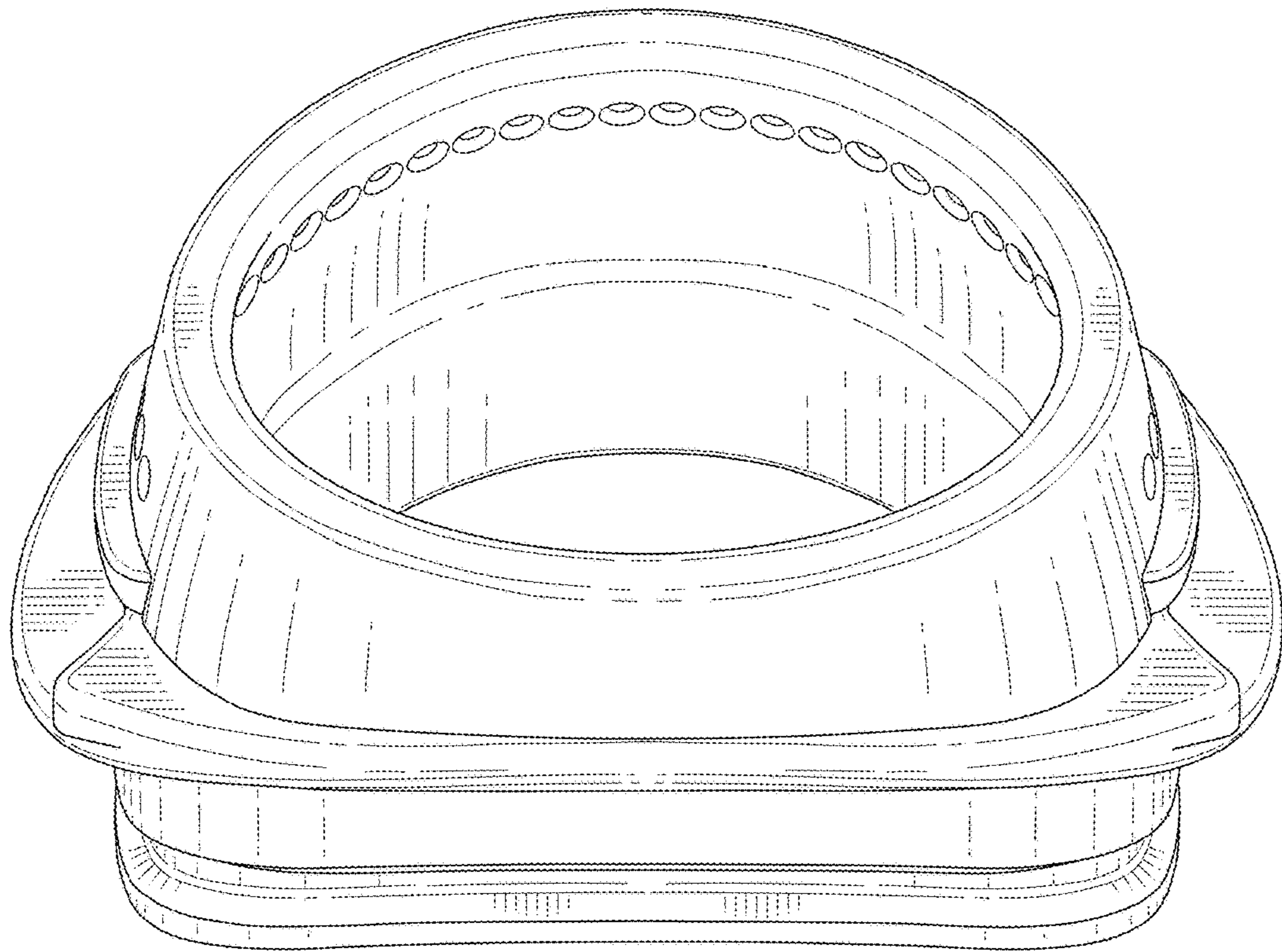


FIGURE 7