



US00D855792S

(12) **United States Design Patent** (10) **Patent No.:** **US D855,792 S**  
**Toksoz** (45) **Date of Patent:** **\*\* Aug. 6, 2019**

(54) **INHALER DEVICE**

(71) Applicant: **ARVEN ILAC SANAYI VE TICARET ANONIM SIRKETI,**  
Istanbul (TR)

(72) Inventor: **Zafer Toksoz,** Istanbul (TR)

(73) Assignee: **ARVEN ILAC SANAYI VE TICARET ANONIM SIRKETI,**  
Istanbul (TR)

(\*\*) Term: **14 Years**

(21) Appl. No.: **29/462,002**

(22) Filed: **Jul. 30, 2013**

(30) **Foreign Application Priority Data**

Jan. 30, 2013 (TR) ..... 2013 00709

(51) **LOC (12) Cl.** ..... **29-02**

(52) **U.S. Cl.**  
USPC ..... **D24/110**

(58) **Field of Classification Search**  
USPC ..... D24/107, 108, 110, 111, 164;  
128/200.14, 200.23, 202.21, 203.15,  
128/203.21, 205.24

(Continued)

(56) **References Cited**

**U.S. PATENT DOCUMENTS**

D342,994 S \* 1/1994 Rand et al. .... D24/110  
D499,802 S \* 12/2004 Pinon et al. .... D24/110

(Continued)

**FOREIGN PATENT DOCUMENTS**

WO WO 2010114504 A1 \* 10/2010  
WO WO 2010114505 A1 \* 10/2010

(Continued)

*Primary Examiner* — Lilyana Bekic

(74) *Attorney, Agent, or Firm* — Liang & Frank, LLP;  
King Lit Wong

(57) **CLAIM**

The ornamental design for an inhaler device, as shown and described.

**DESCRIPTION**

FIG. 1 is a front, left side and top perspective view of the first embodiment of an inhaler device showing my new design;

FIG. 2 is a front elevation view thereof;

FIG. 3 is a rear elevation view thereof;

FIG. 4 is a left side elevation view thereof;

FIG. 5 is a right side elevation view thereof;

FIG. 6 is a top plan view thereof; and

FIG. 7 is a bottom plan view thereof.

FIG. 8 is a bottom plan view of the second embodiment of the inhaler device, wherein the front, left side and top perspective view, the front elevation view, the rear elevation view, the left side elevation view, the right side elevation view, the top plan view and the bottom plan view of the second embodiment are illustrated with FIGS. 1, 2, 3, 4, 5, 6 and 8, respectively.

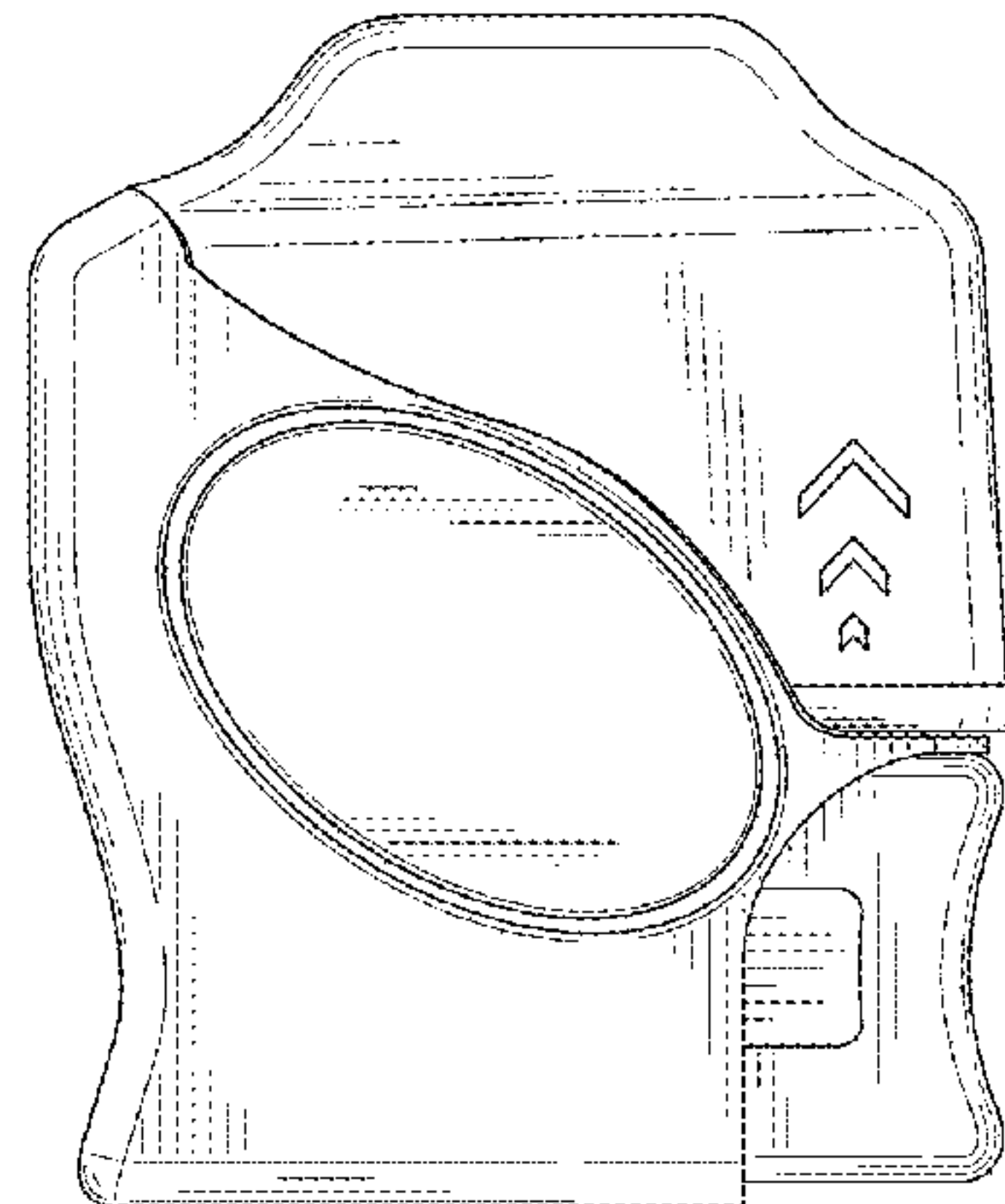
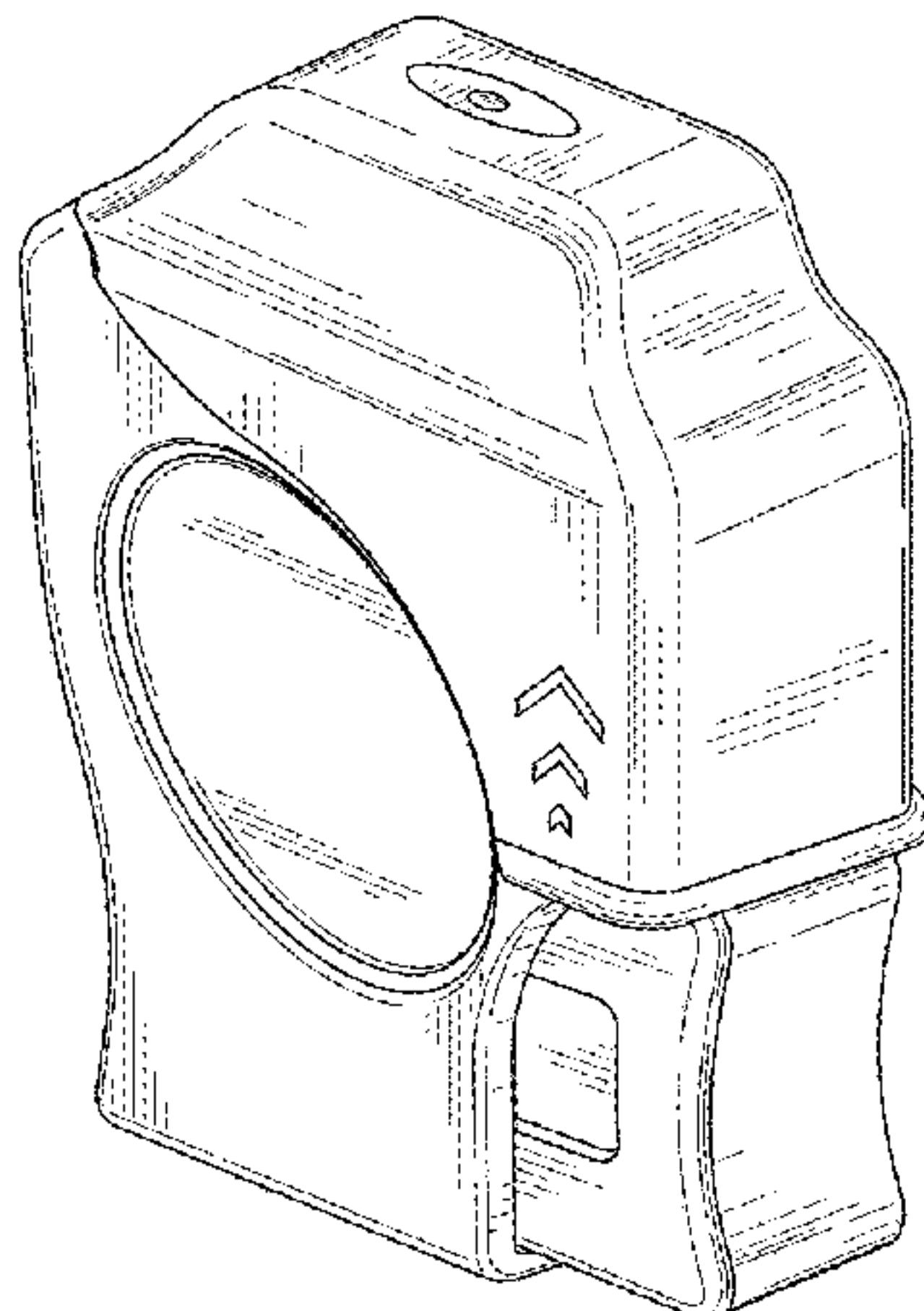
FIG. 9 is a front, left side and top perspective view of the third embodiment of the inhaler device;

FIG. 10 is a left side elevation view of the third embodiment of the inhaler device; and,

FIG. 11 is a right side elevation view of the third embodiment of the inhaler device, wherein the front, left side and top perspective view, the front elevation view, the rear elevation view, the left side elevation view, the right side elevation view, the top plan view and the bottom plan view of the third embodiment are illustrated with FIGS. 9, 2, 3, 10, 11, 6 and 7, respectively.

The front, left side and top perspective view, the front elevation view, the rear elevation view, the left side elevation view, the right side elevation view, the top plan view and the bottom plan view of the fourth embodiment of the inhaler device are illustrated with FIGS. 9, 2, 3, 10, 11, 6 and 8, respectively.

(Continued)



The broken lines in the drawings illustrate portions of the inhaler device which form no part of the claimed design.

**1 Claim, 9 Drawing Sheets**

(58) **Field of Classification Search**

CPC .. A61M 11/00; A61M 15/00; A61M 15/0026;  
 A61M 15/0021; A61M 15/0091; A61M  
 15/0065; A61M 15/009; A61M 2202/064  
 See application file for complete search history.

(56) **References Cited**

U.S. PATENT DOCUMENTS

D512,777 S \* 12/2005 Beisner et al. .... D24/110  
 D585,977 S \* 2/2009 Brown et al. .... D24/110  
 D637,280 S \* 5/2011 Harvey et al. .... D24/110  
 D637,281 S \* 5/2011 Harvey et al. .... D24/110  
 D641,076 S \* 7/2011 Grunstad et al. .... D24/110  
 D656,606 S \* 3/2012 Palmer-Felgate et al. .. D24/110  
 D657,045 S \* 4/2012 Palmer-Felgate et al. .. D24/110  
 D657,049 S \* 4/2012 Palmer-Felgate et al. .. D24/110  
 D659,236 S \* 5/2012 Bobjer et al. .... D24/110  
 D667,105 S \* 9/2012 Zuyderhoudt ..... D24/110

D670,374 S \* 11/2012 Bobjer et al. .... D24/110  
 D671,207 S \* 11/2012 Bobjer et al. .... D24/110  
 8,381,721 B2 \* 2/2013 Thoe et al. .... 128/203.21  
 D684,254 S \* 6/2013 Zuyderhoudt ..... D24/110  
 D684,684 S \* 6/2013 Grunstad et al. .... D24/110  
 D693,458 S \* 11/2013 Wright et al. .... D24/110  
 8,646,446 B2 \* 2/2014 Lewis et al. .... 128/203.21  
 D711,528 S \* 8/2014 Grunstad et al. .... D24/110  
 D717,425 S \* 11/2014 Von Schuckmann ..... D24/110  
 9,956,362 B2 \* 5/2018 Toksoz ..... A61M 15/0043  
 10,207,067 B2 \* 2/2019 Toksoz ..... A61M 15/0043  
 2005/0247306 A1 \* 11/2005 Harvey et al. .... 128/200.21  
 2010/0078022 A1 \* 4/2010 Striebig et al. .... 128/203.15  
 2015/0096563 A1 \* 4/2015 Toksoz ..... A61M 15/0045  
 128/203.15  
 2015/0136128 A1 \* 5/2015 Toksoz ..... A61M 15/0043  
 128/202.27  
 2015/0174345 A1 \* 6/2015 Toksoz ..... A61M 15/0043  
 128/203.15

FOREIGN PATENT DOCUMENTS

WO WO 2010114506 A1 \* 10/2010  
 WO WO 2013176635 A1 \* 11/2013  
 WO WO 2013176636 A1 \* 11/2013  
 WO WO 2013176639 A1 \* 11/2013

\* cited by examiner

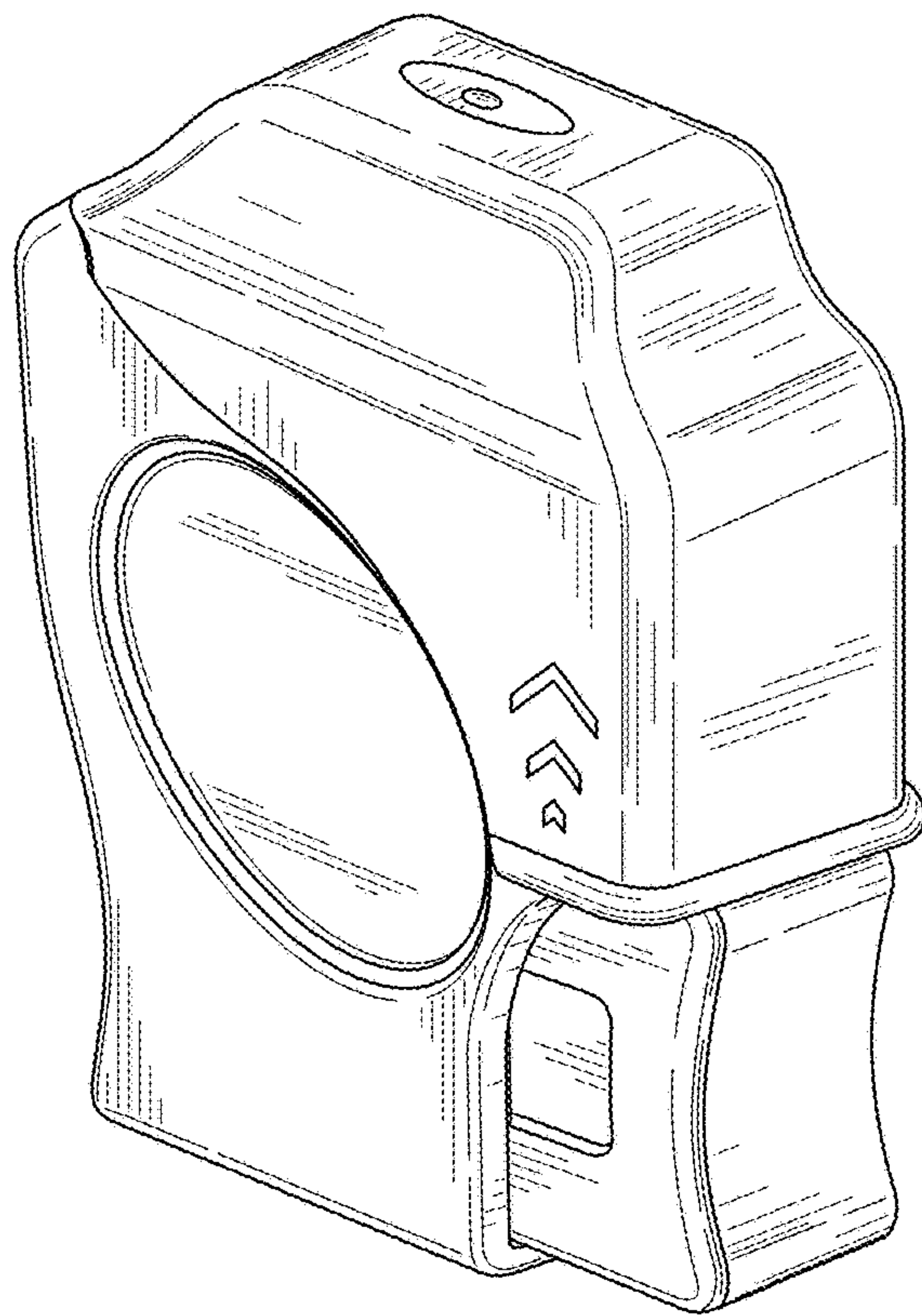


FIG. 1

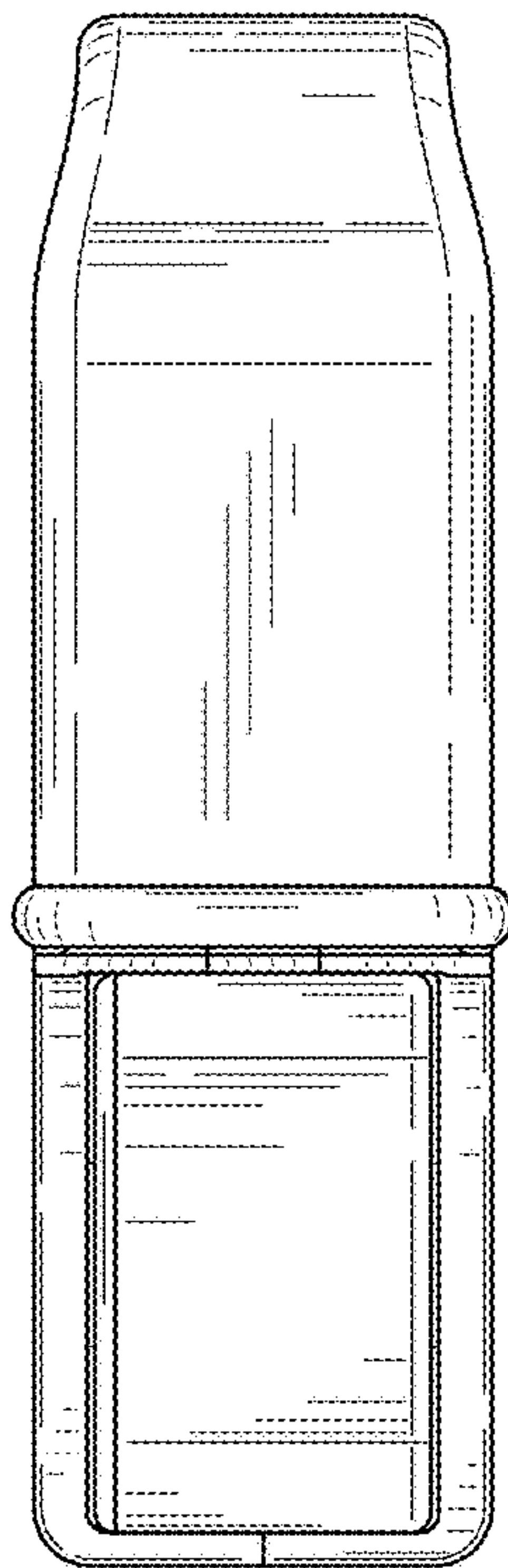


FIG. 2

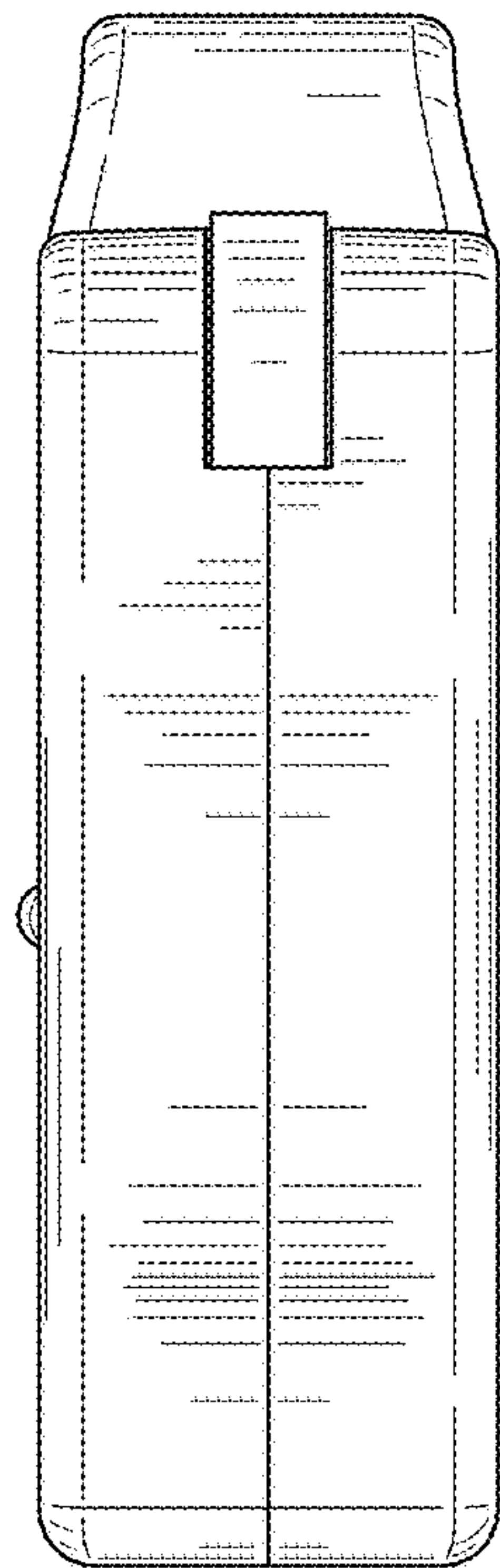


FIG. 3



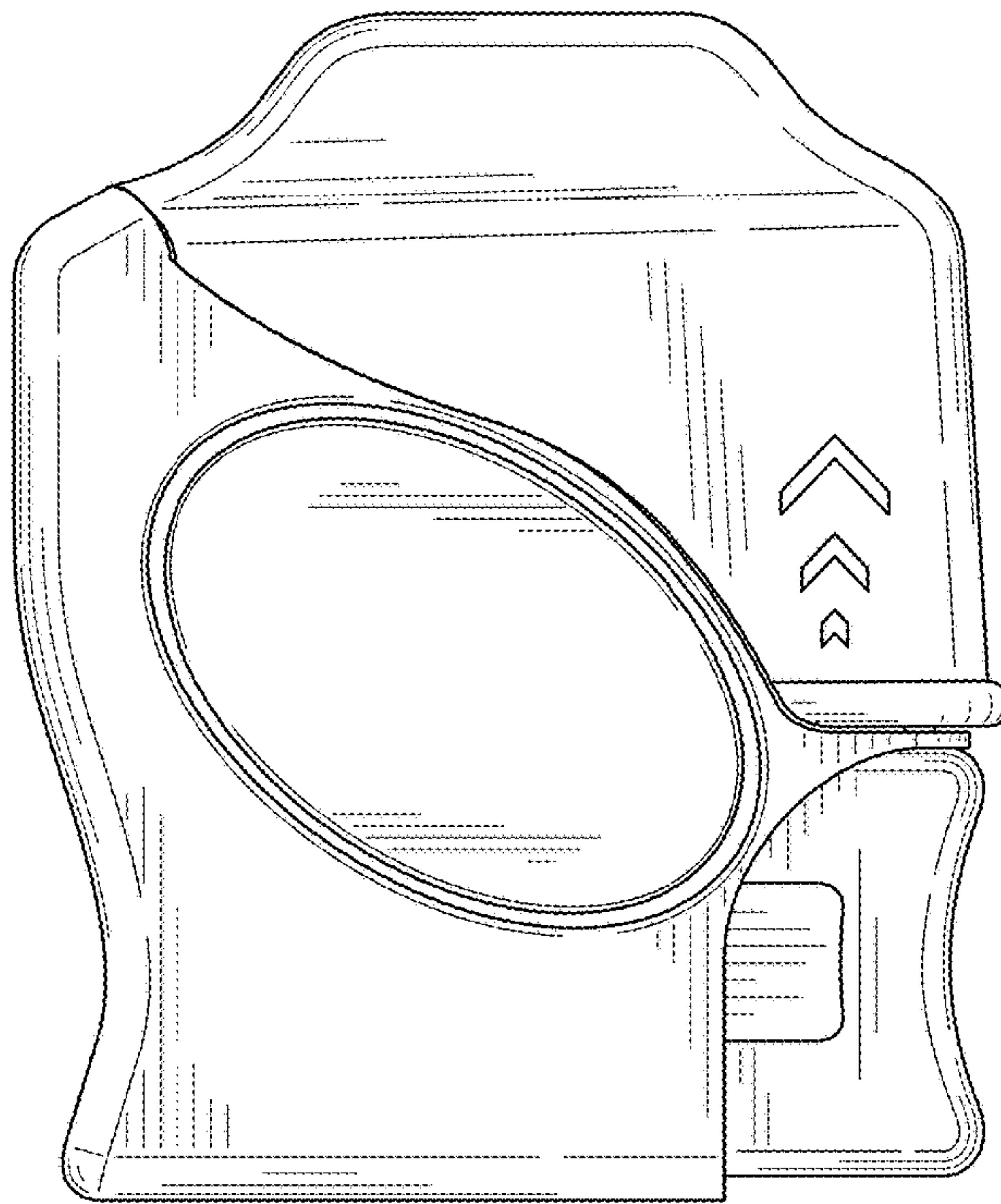


FIG. 4

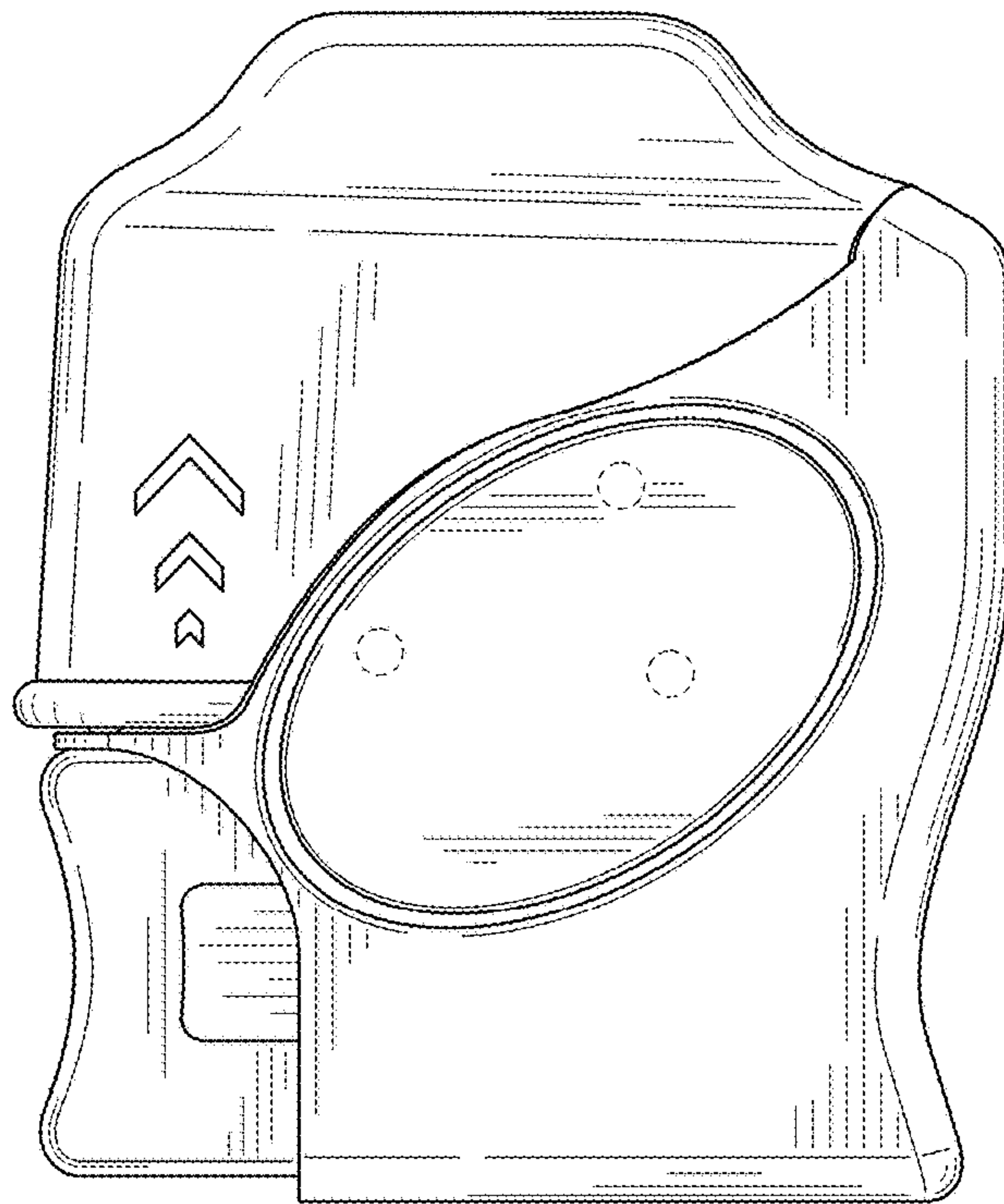


FIG. 5

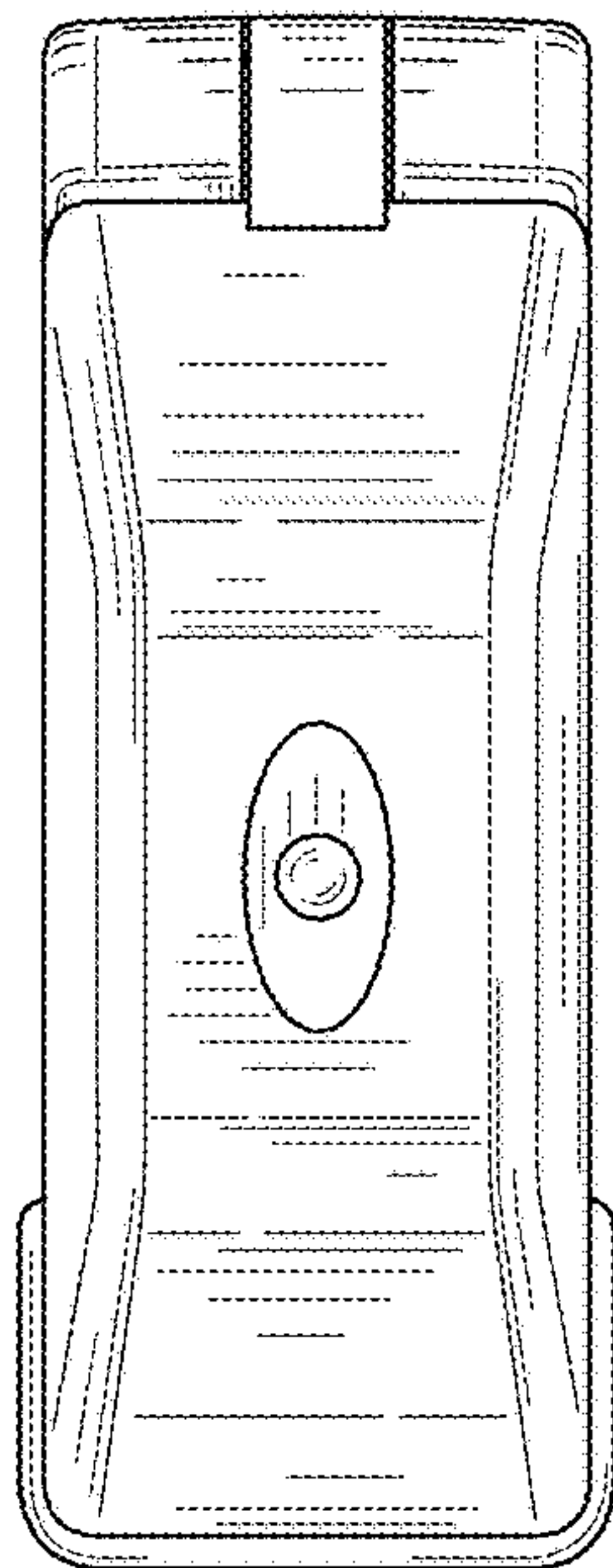


FIG. 6

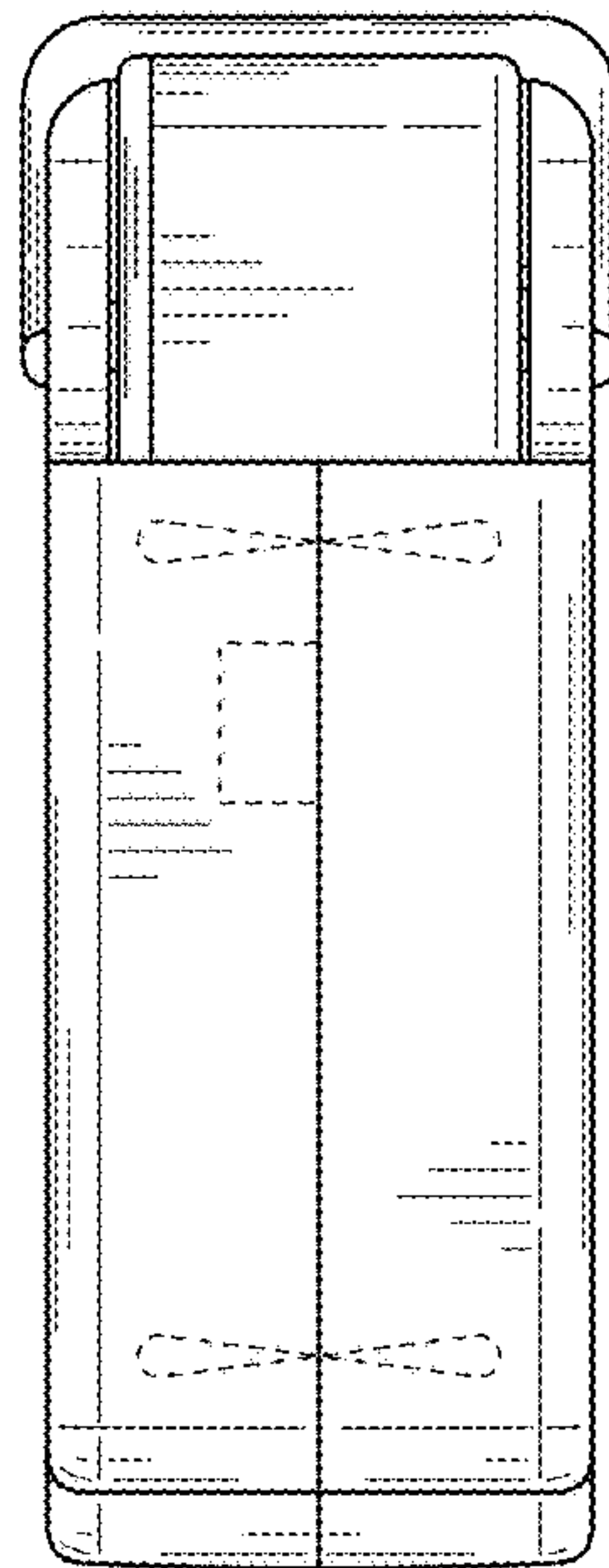


FIG. 7

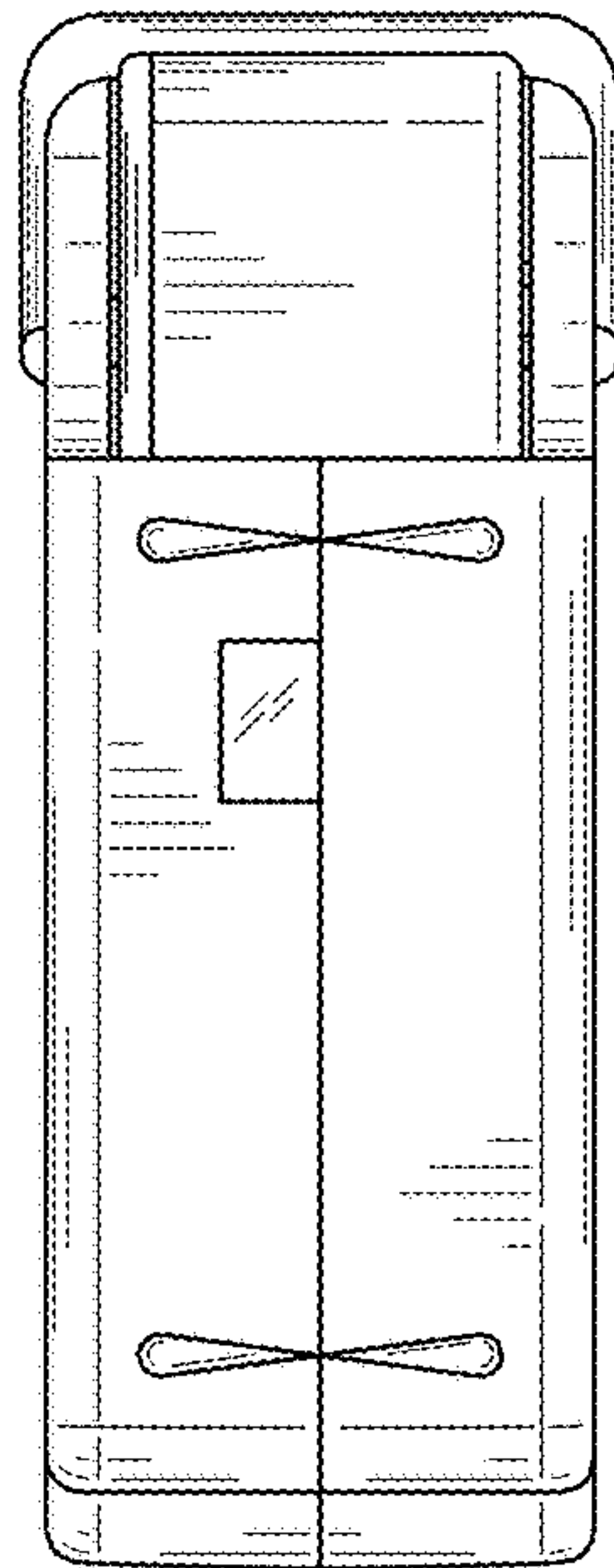


FIG. 8



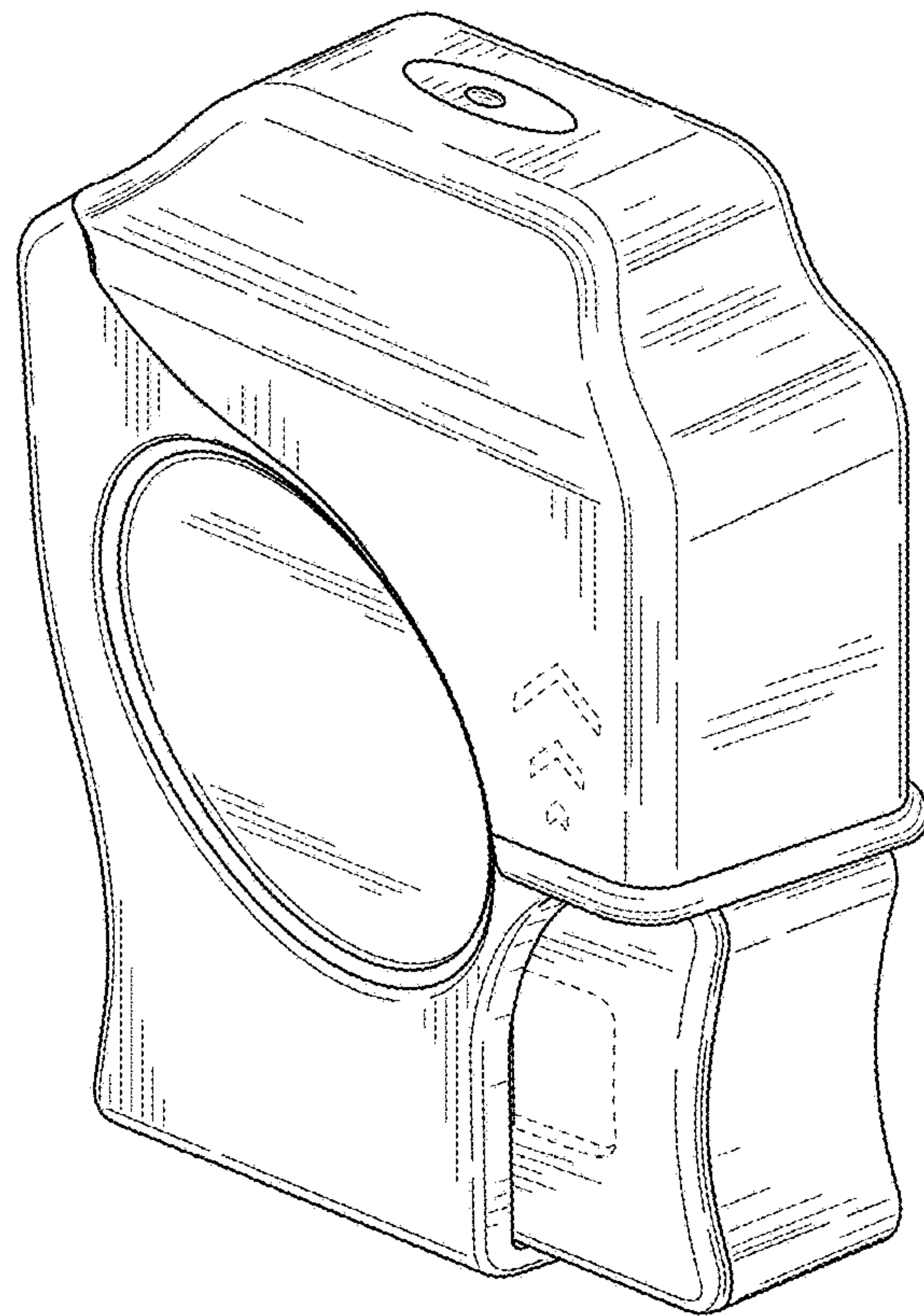


FIG. 9

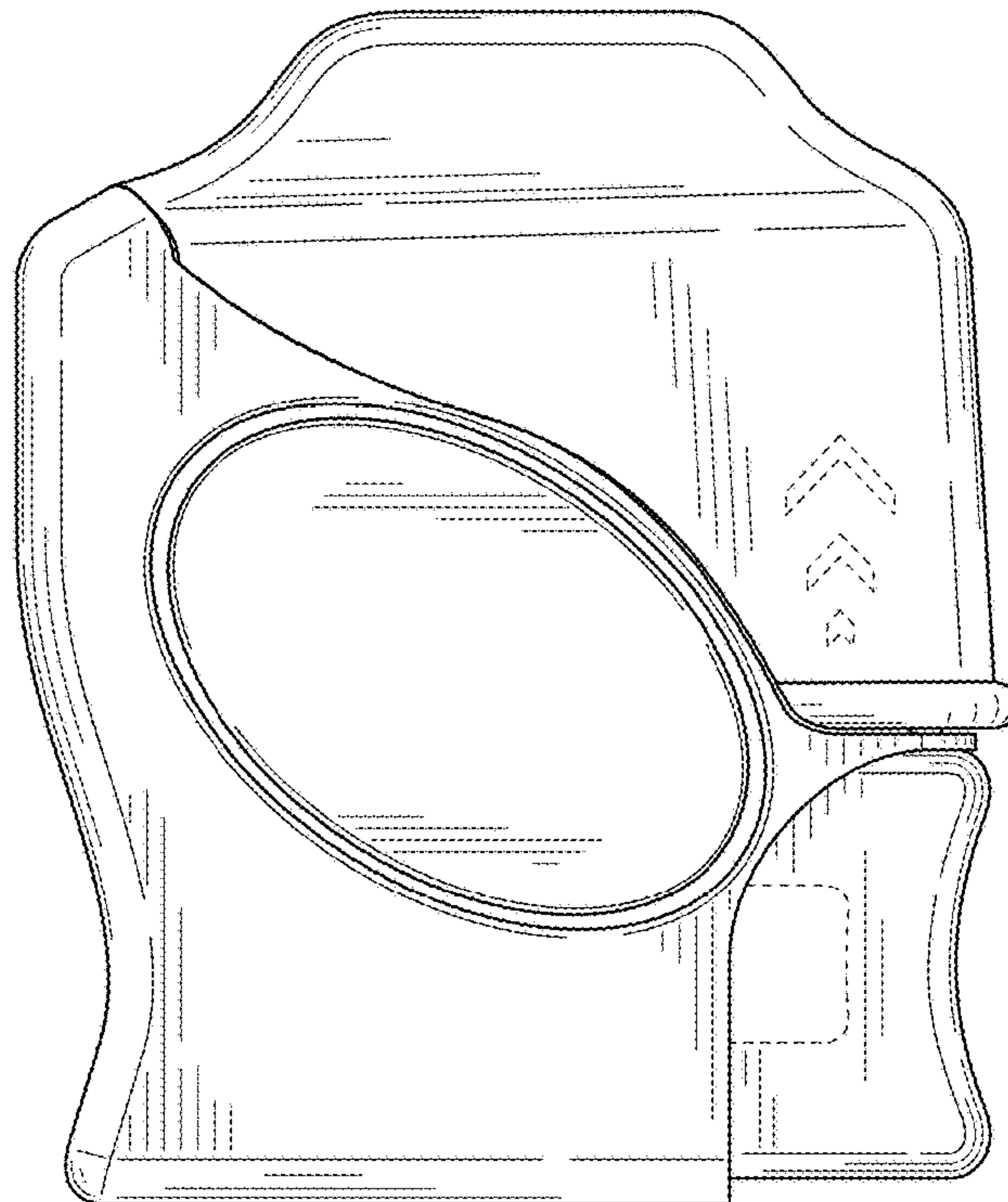


FIG. 10

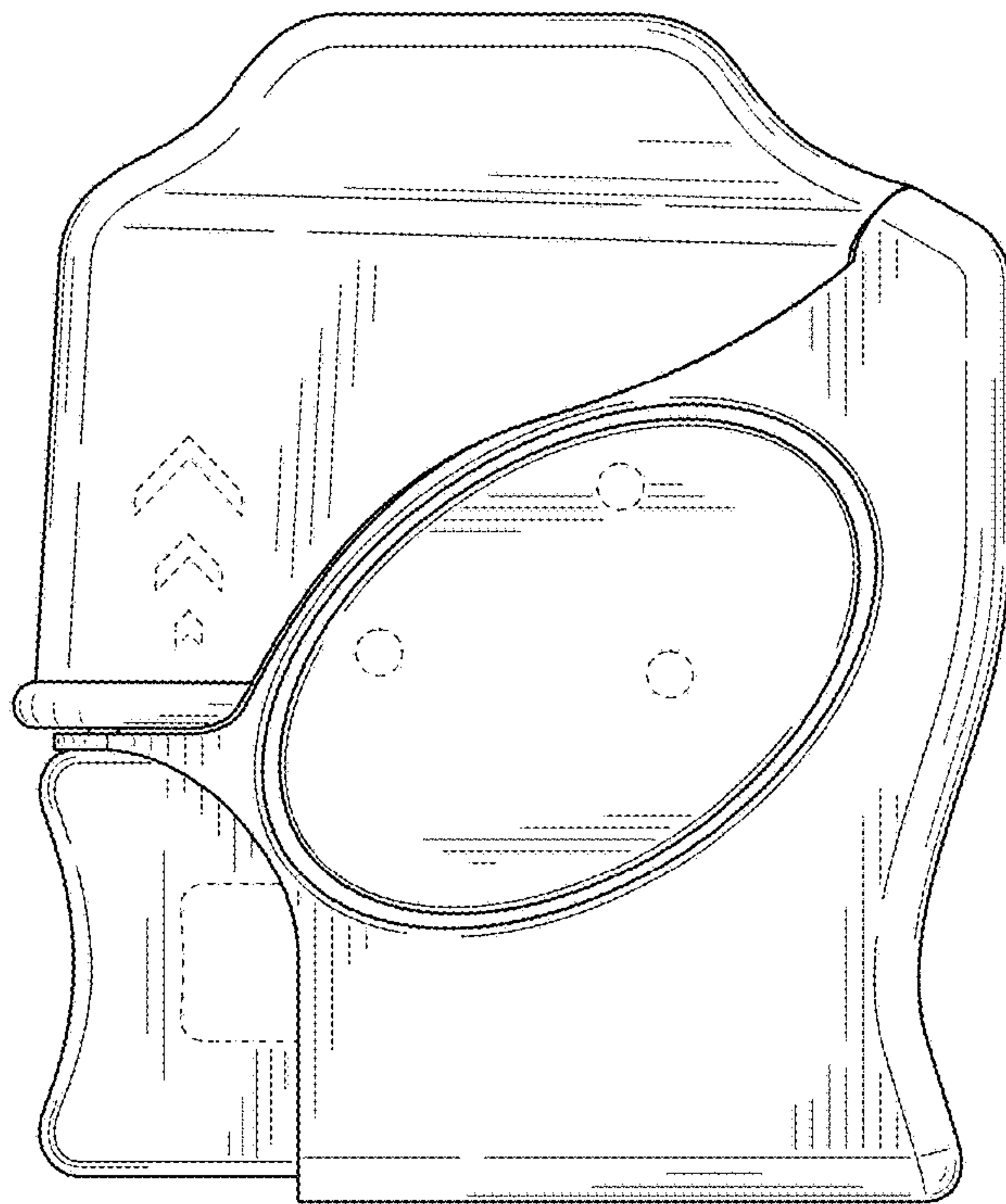


FIG. 11