



US00D855790S

(12) **United States Design Patent**
Badarello

(10) **Patent No.:** **US D855,790 S**

(45) **Date of Patent:** **** Aug. 6, 2019**

- (54) **CEILING FAN BLADE IRON**
- (71) Applicant: **HUNTER FAN COMPANY**,
Memphis, TN (US)
- (72) Inventor: **Christophe Badarello**, Holly Springs,
TN (US)
- (73) Assignee: **Hunter Fan Company**, Memphis, TN
(US)
- (**) Term: **15 Years**
- (21) Appl. No.: **29/610,453**
- (22) Filed: **Jul. 12, 2017**
- (51) **LOC (12) Cl.** **23-03**
- (52) **U.S. Cl.**
USPC **D23/411**
- (58) **Field of Classification Search**
USPC D23/377, 379, 385, 411–414, 351, 352,
D23/354, 370, 371, 373–375, 381,
D23/386–389, 393
CPC F04D 25/088; F04D 29/38; F04D 29/384;
F04D 29/386; F04D 29/34; F21V
33/0096
See application file for complete search history.

(56) **References Cited**

U.S. PATENT DOCUMENTS

D345,206 S	3/1994	DiPasquale	
D566,259 S	4/2008	Bucher et al.	
D568,983 S *	5/2008	Pan	D23/411
D572,814 S *	7/2008	Bucher	D23/377
D594,550 S *	6/2009	Pan	D23/411
D707,347 S	6/2014	Wang	
D787,038 S *	5/2017	Badarello	D23/411
D787,040 S *	5/2017	Badarello	D23/411
D799,668 S *	10/2017	Wang	D23/377
D804,632 S *	12/2017	Holmes	D23/377

D804,636 S *	12/2017	Guthrie	D23/377
D821,563 S *	6/2018	Holmes	D23/411
D828,913 S *	9/2018	Holmes	D23/411

(Continued)

OTHER PUBLICATIONS

<http://www.minkagroup.net/products/F695-KA>, Item Specification for 52" Ceiling Fan in Kocoa Finish with Reversible Blades, Product # F695-KA, Accessed Apr. 26, 2017.

(Continued)

Primary Examiner — Cathron C Brooks

Assistant Examiner — Sharon S Oum

(74) *Attorney, Agent, or Firm* — McGarry Bair PC

(57) **CLAIM**

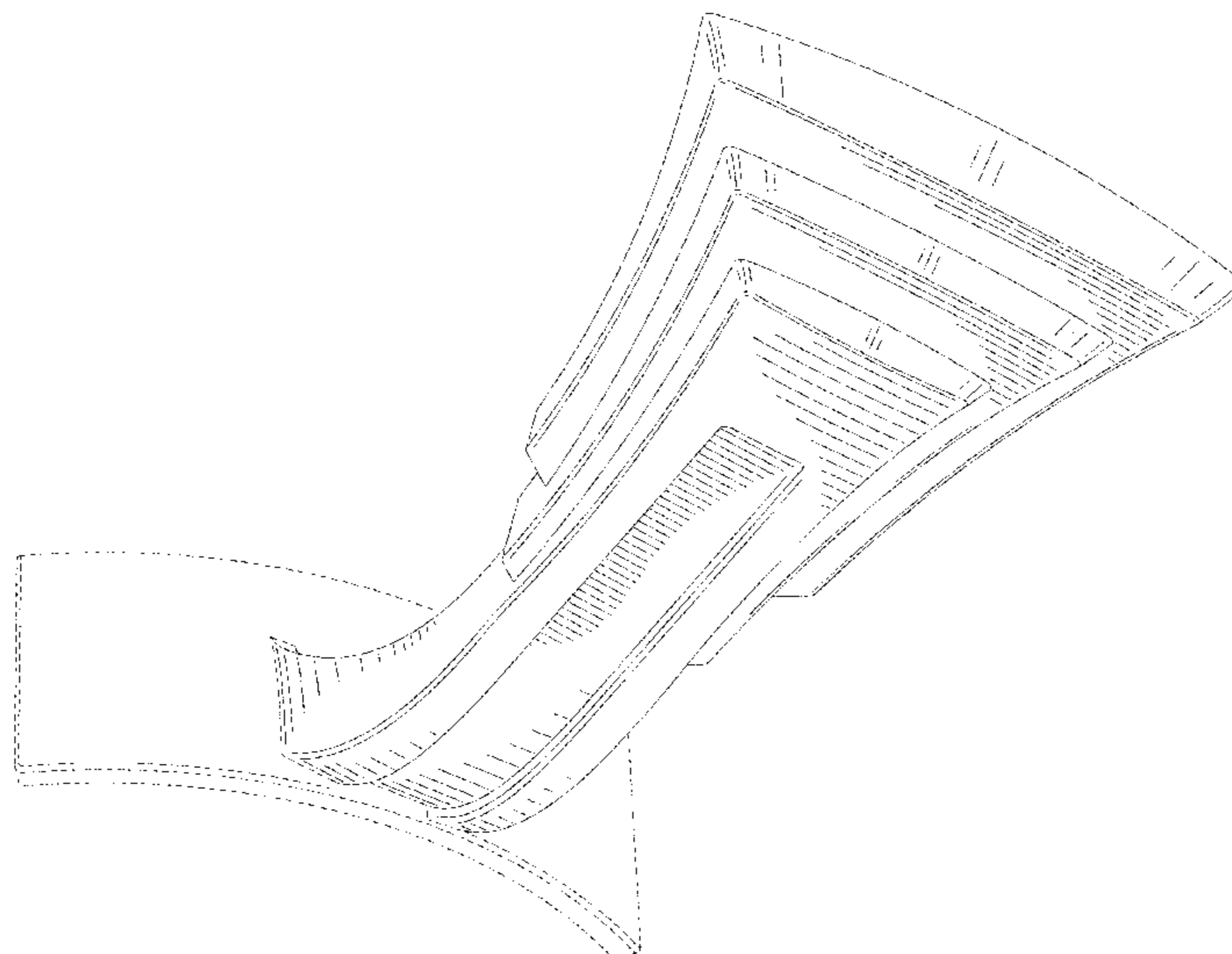
The ornamental design for a ceiling fan blade iron, as shown and described.

DESCRIPTION

FIG. 1 is a bottom perspective view of a ceiling fan blade iron shown in the environment of a ceiling fan;
 FIG. 2 is a bottom perspective view of the ceiling fan blade iron of FIG. 1;
 FIG. 3 is a bottom view of the ceiling fan blade iron of FIG. 1;
 FIG. 4 is a top view of the ceiling fan blade iron of FIG. 1;
 FIG. 5 is a front view of the ceiling fan blade iron of FIG. 1;
 FIG. 6 is a rear view of the ceiling fan blade iron of FIG. 1;
 FIG. 7 is a right side view of the ceiling fan blade iron of FIG. 1; and,
 FIG. 8 is a left side view of the ceiling fan blade iron of FIG. 1.

The broken lines showing a ceiling fan illustrate the environment of the ceiling fan blade iron and form no part of the claimed design. The remaining broken lines, showing portions of the ceiling fan blade iron, form no part of the claimed design.

1 Claim, 8 Drawing Sheets



(56)

References Cited

U.S. PATENT DOCUMENTS

2006/0120064 A1* 6/2006 McElhannon G02B 6/001
362/96
2009/0004016 A1* 1/2009 Wang F04D 25/088
416/210 R
2015/0078903 A1* 3/2015 Lowe F04D 29/34
416/210 R

OTHER PUBLICATIONS

<http://www.hunterfan.com/Ceiling-Fans/Insignia?ModelNumber=53396>, Item Specification for Thornton 52" Ceiling Fan, Product No. 53396 in Premier Bronze Finish, Accessed Apr. 26, 2017.

<https://www.menards.com/main/lighting-ceiling-fans/ceiling-fans/shop-all-ceiling-fans/turn-of-the-century-reg-lanyard-52-oil-rubbed-bronze-traditional-ceiling-fan/p-1444433461278-c-7487.htm?tid=-2703857728561558502>, Item Specification for The Turn of the Century Lanyard 52" Oil-Rubbed Bronze Ceiling Fan, Model No. 20142, Accessed Apr. 27, 2017.

<http://ceilingfans.emerson.com/shop/en/fan/fans-s-emerson-fans/fans-s-indoor-outdoor/welland-fan-p-cf610>, Item Specification for 54" Venetian Bronze Indoor/Outdoor Ceiling Fan, Accessed Apr. 27, 2017.

<http://www.fanimation.com/products/index.php/fans/cancun-42.html>, Item Specification for Cancun 42" Indoor Ceiling Fan, Model No. FP8042, Accessed Apr. 27, 2017.

* cited by examiner

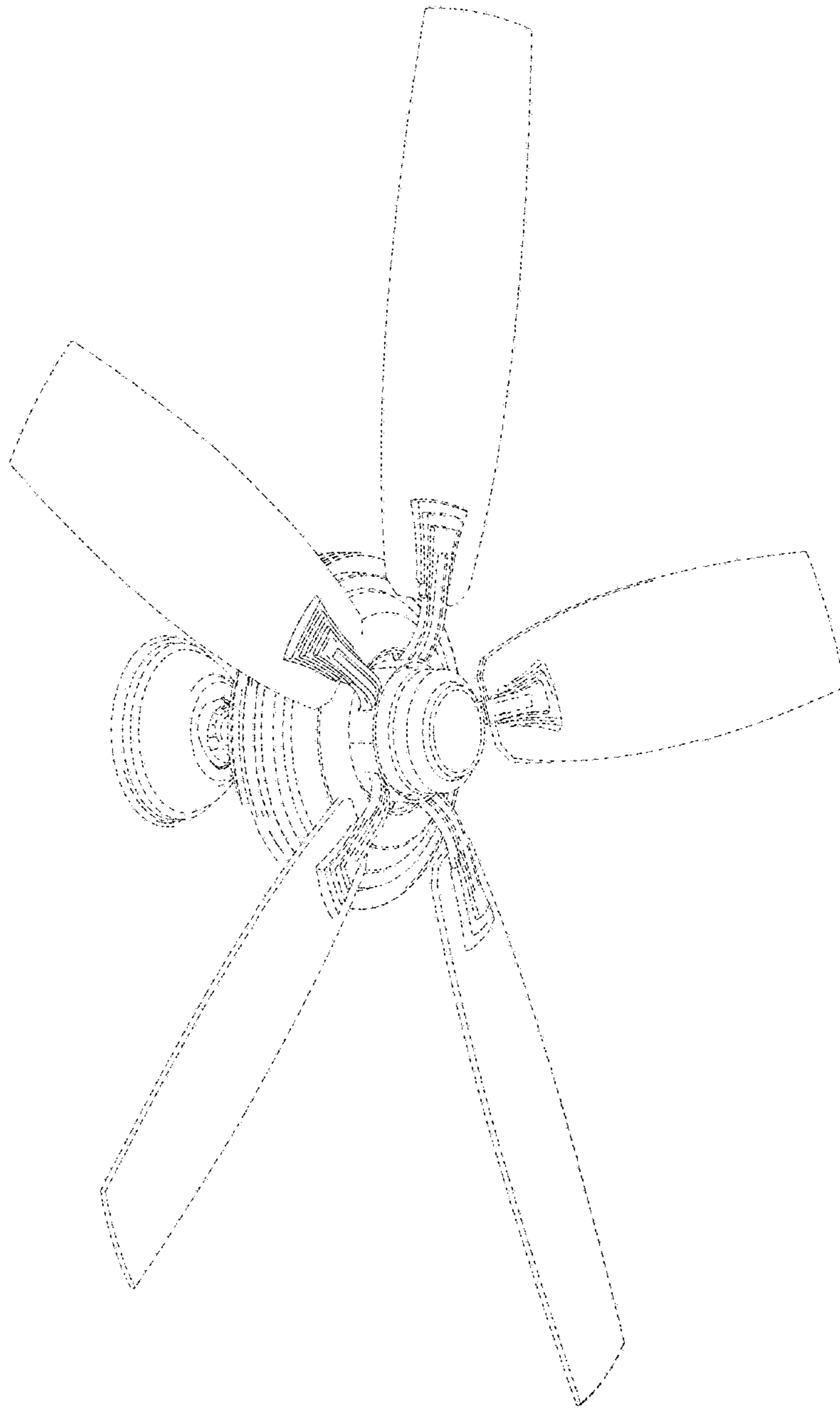


FIG.1

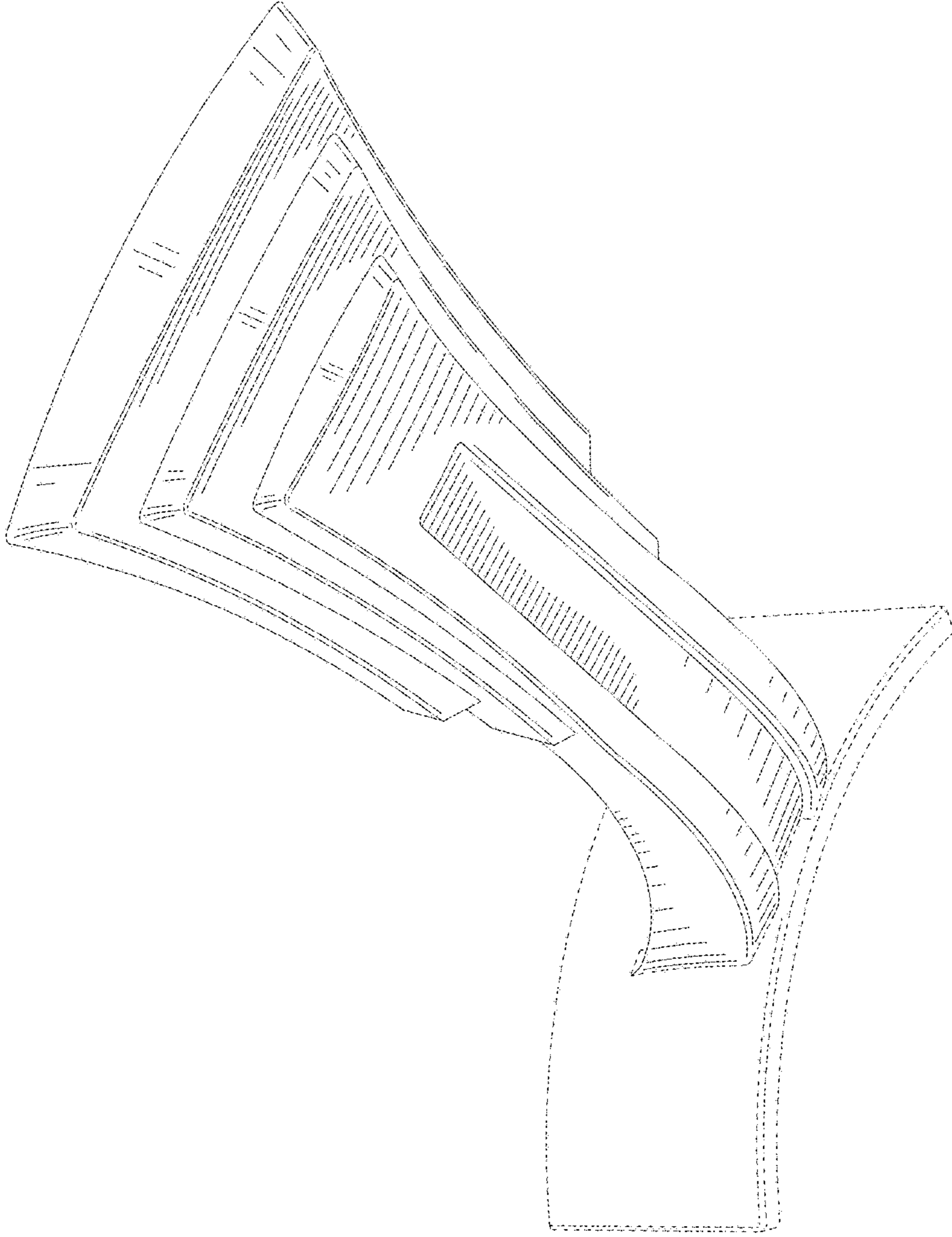


FIG.2

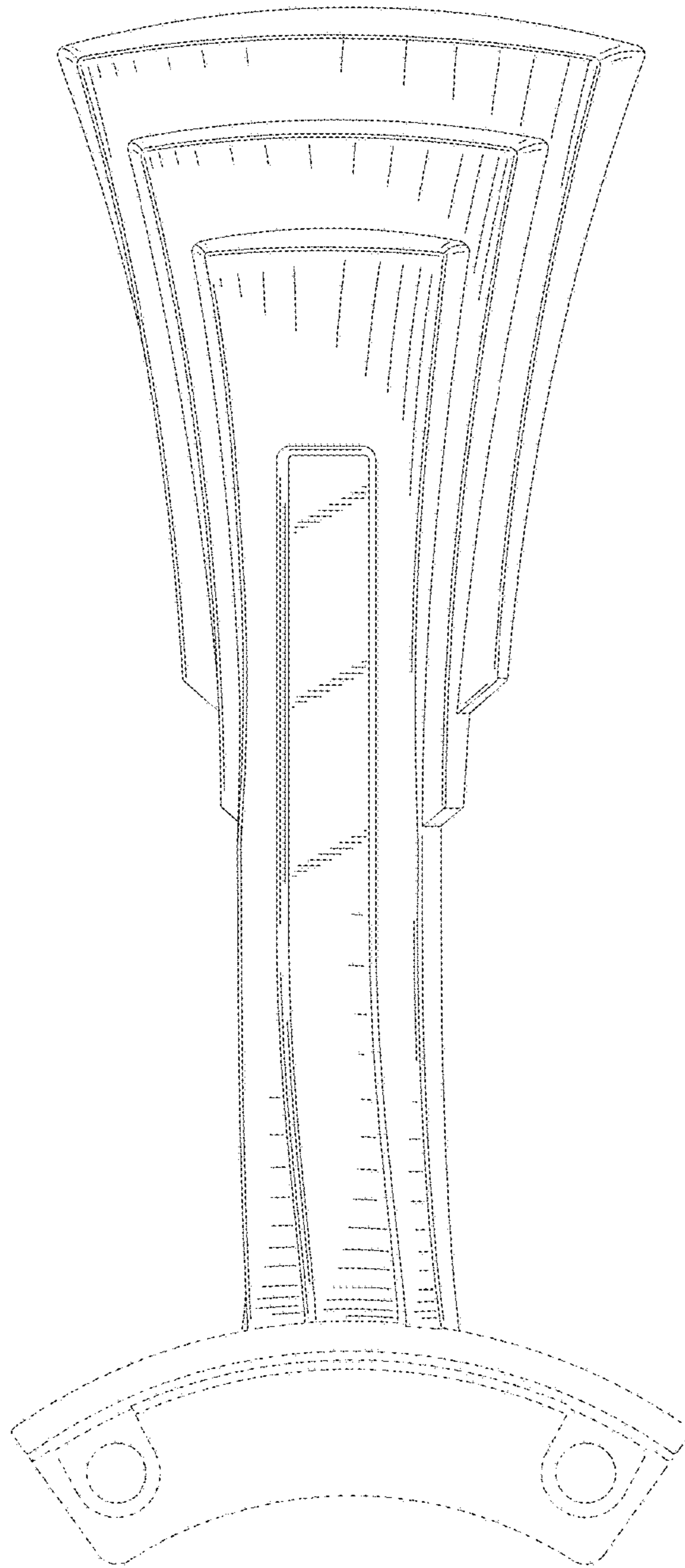


FIG.3

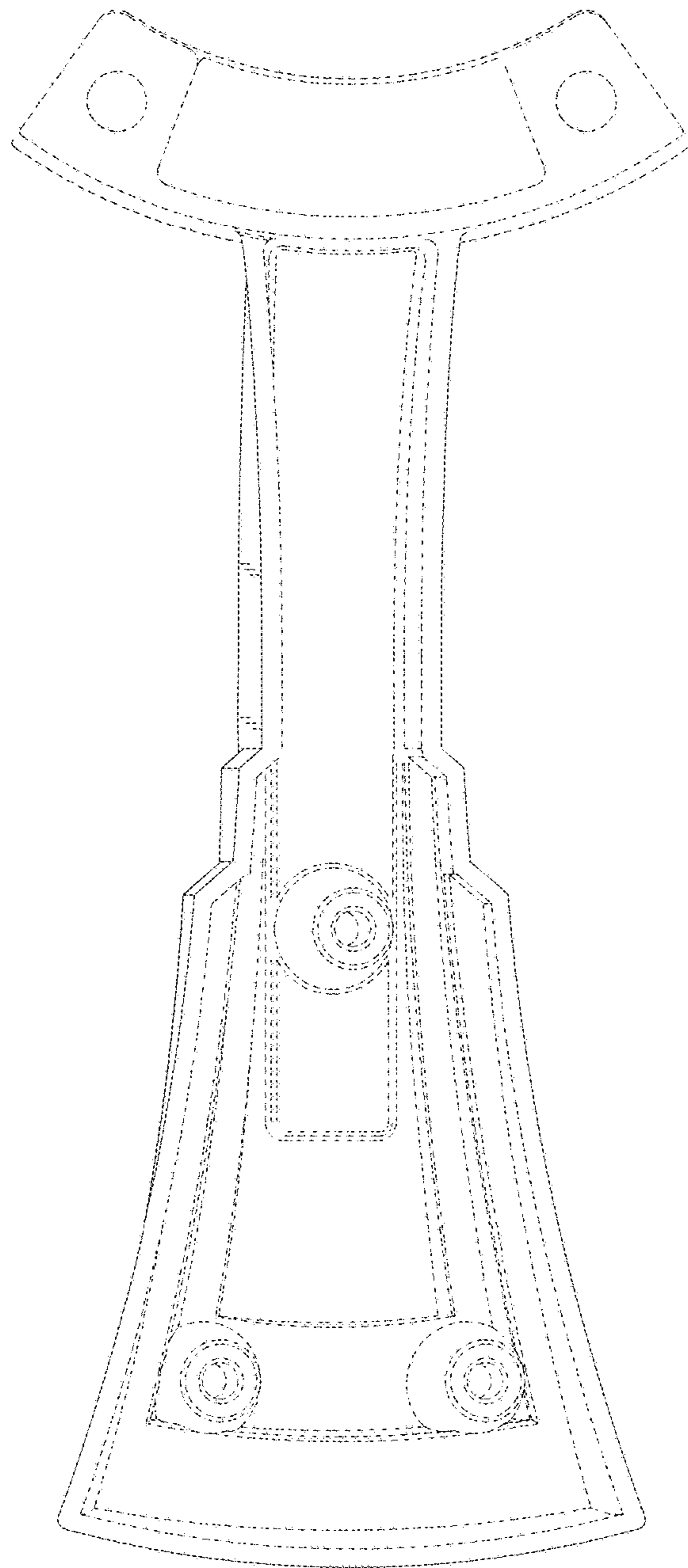


FIG.4

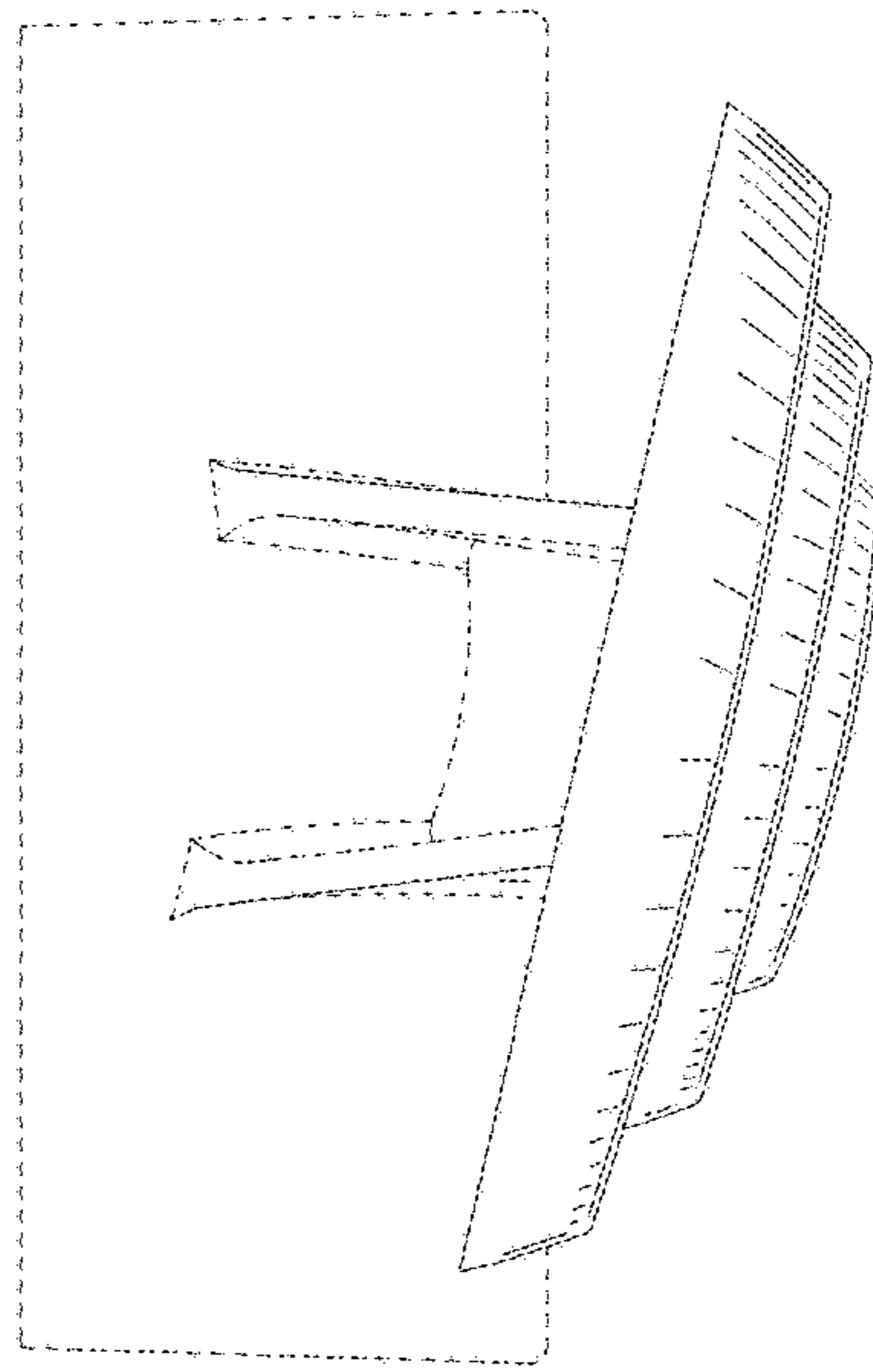


FIG. 5

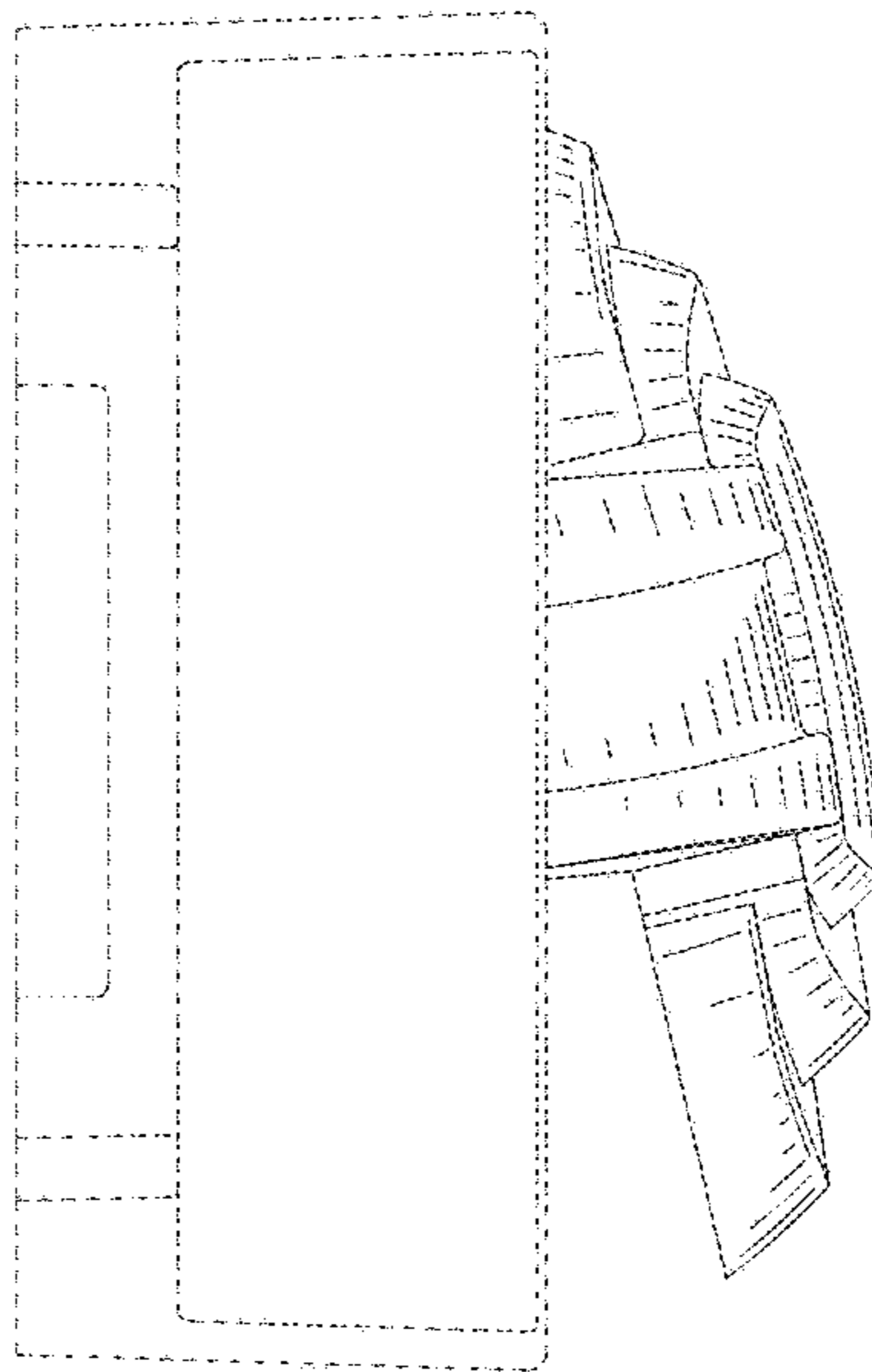


FIG.6

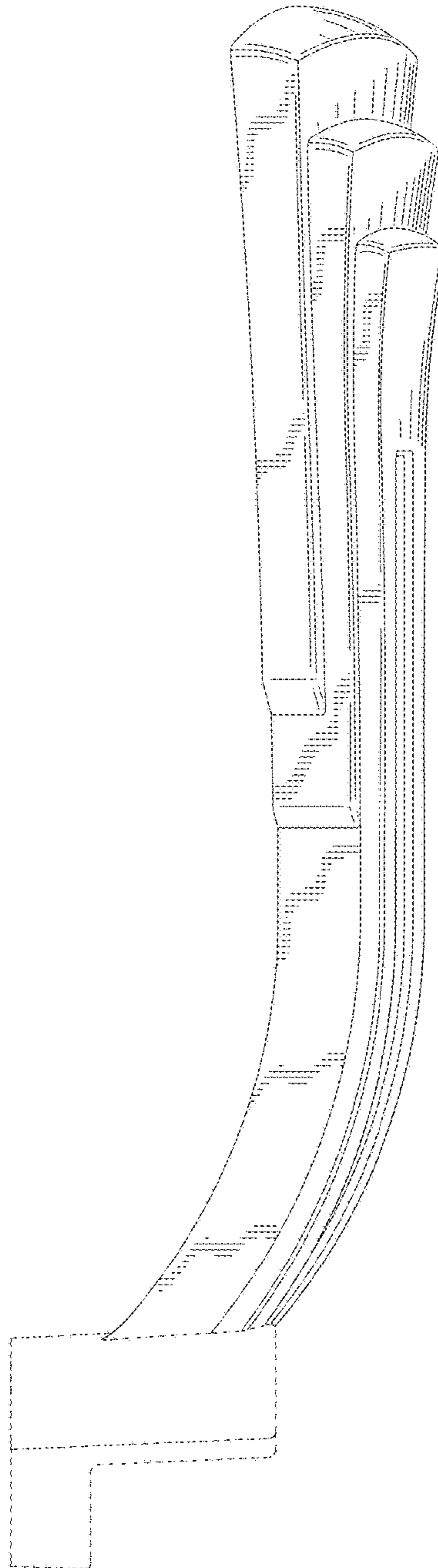


FIG.7

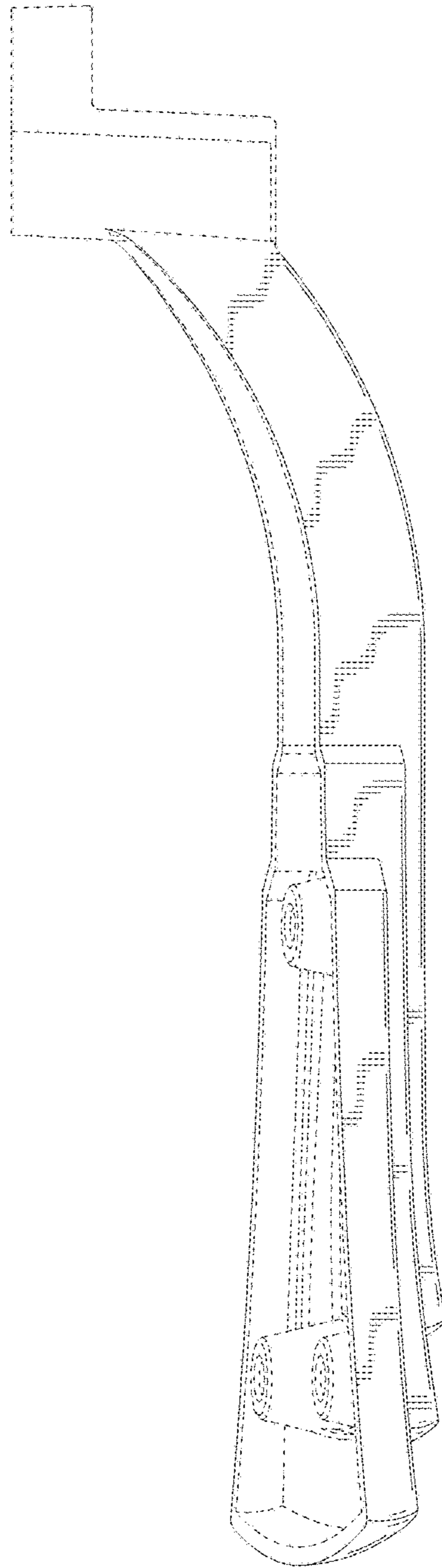


FIG.8