



US00D855789S

(12) **United States Design Patent**
Haggar

(10) **Patent No.:** **US D855,789 S**

(45) **Date of Patent:** **** Aug. 6, 2019**

(54) **CEILING FAN**

(71) Applicant: **HUNTER FAN COMPANY,**
Memphis, TN (US)

(72) Inventor: **Alexander Jonathan Haggar,**
Memphis, TN (US)

(73) Assignee: **Hunter Fan Company,** Memphis, TN
(US)

(**) Term: **15 Years**

(21) Appl. No.: **29/615,454**

(22) Filed: **Aug. 29, 2017**

(51) **LOC (12) Cl.** **23-04**

(52) **U.S. Cl.**
USPC **D23/377**

(58) **Field of Classification Search**
USPC D23/377, 379, 385, 411-414, 351, 352,
D23/354, 370, 371, 373-375, 381,
D23/386-389, 393; D26/59, 88, 89
CPC F04D 25/088; F04D 29/38; F04D 29/384;
F04D 29/386; F21V 33/0096
See application file for complete search history.

(56) **References Cited**

U.S. PATENT DOCUMENTS

D297,974 S *	10/1988	Sonneman	D23/377
D314,618 S *	2/1991	Yen	D23/377
D357,978 S *	5/1995	Young	D23/377
D377,975 S *	2/1997	Young	D23/377
D386,257 S *	11/1997	Liu	D23/377
D414,857 S *	10/1999	Zuege	D23/377
D453,216 S *	1/2002	Gajewski	D23/377
D506,565 S *	6/2005	Yurich	D26/85
7,080,813 B1 *	7/2006	Frampton	F04D 25/088 248/342
D534,273 S *	12/2006	Pan	D23/411
D544,979 S *	6/2007	Hartmann, Jr.	D26/74
D561,374 S *	2/2008	Hartmann, Jr.	D26/74

(Continued)

OTHER PUBLICATIONS

Kichler 339529MWH, Arkwet Patio Matte White 52" Outdoor Ceiling Fan, date first available Nov. 18, 2015, site visited Feb. 25, 2019, Available from Internet, <<https://www.amazon.com/Kichler-339529WCP-Ceiling-Weathered-Non-reversible/dp/B0186GC4LW>>.*

Primary Examiner — Cathron C Brooks

Assistant Examiner — Sharon S Oum

(74) *Attorney, Agent, or Firm* — McGarry Bair PC

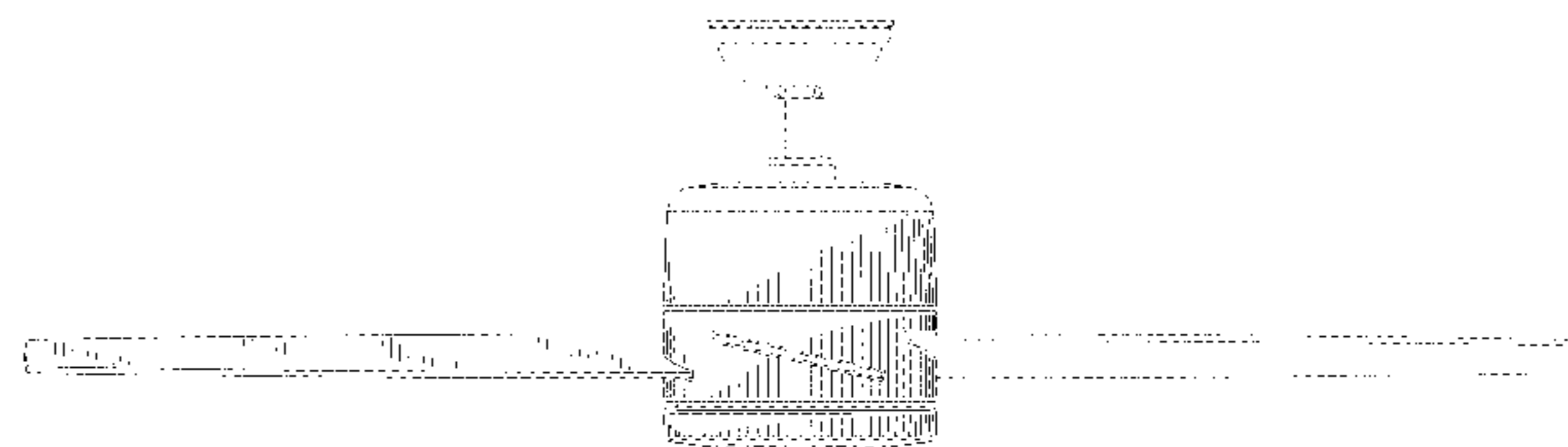
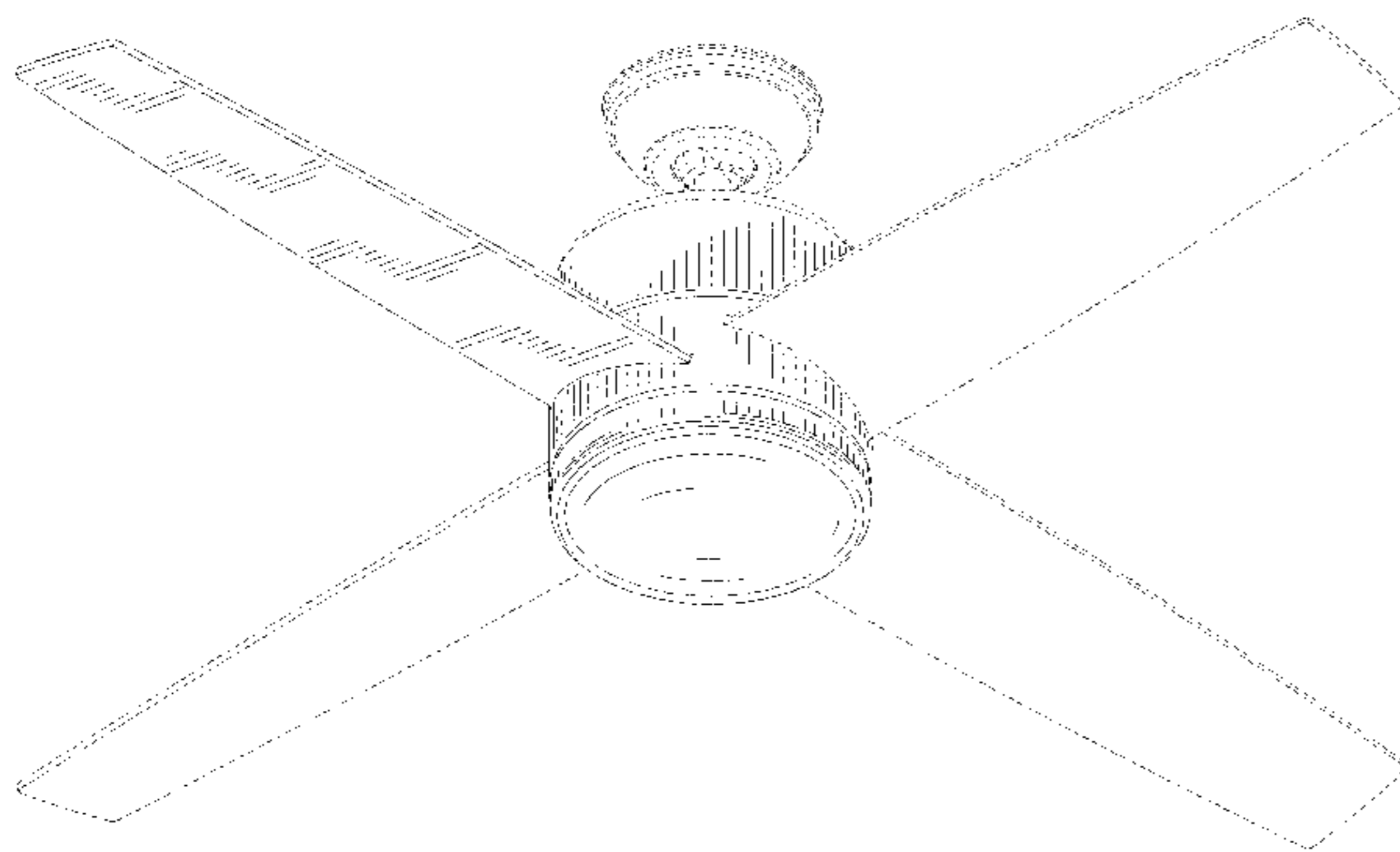
(57) **CLAIM**

The ornamental design for a ceiling fan, as shown and described.

DESCRIPTION

FIG. 1 is a top perspective view of a ceiling fan according to a first embodiment of the invention; FIG. 2 is a bottom perspective view of the ceiling fan of FIG. 1; FIG. 3 is a bottom view of the ceiling fan of FIG. 1; FIG. 4 is a top view of the ceiling fan of FIG. 1; FIG. 5 is a left side view of the ceiling fan of FIG. 1; FIG. 6 is a front side view of the ceiling fan of FIG. 1; FIG. 7 is a right side view of the ceiling fan of FIG. 1; FIG. 8 is a rear side view of the ceiling fan of FIG. 1; FIG. 9 is a top perspective view of a ceiling fan according to a second embodiment of the invention; FIG. 10 is a bottom perspective view of the ceiling fan of FIG. 9; FIG. 11 is a bottom view of the ceiling fan of FIG. 9; FIG. 12 is a top view of the ceiling fan of FIG. 9; FIG. 13 is a left side view of the ceiling fan of FIG. 9; FIG. 14 is a front side view of the ceiling fan of FIG. 9; FIG. 15 is a right side view of the ceiling fan of FIG. 9; and, FIG. 16 is a rear side view of the ceiling fan of FIG. 9. The broken lines illustrate portions of the ceiling fan that form no part of the claimed design.

1 Claim, 16 Drawing Sheets



(56)

References Cited

U.S. PATENT DOCUMENTS

D565,230 S * 3/2008 Hetfield D26/72
D595,004 S * 6/2009 Pan D26/59
D607,600 S * 1/2010 Keith D26/104
D609,799 S * 2/2010 Lee D23/377
D628,688 S * 12/2010 Pan D23/377
D633,644 S * 3/2011 Sprengers D26/89
D679,046 S * 3/2013 Hoshino D26/120
D694,463 S * 11/2013 Sieczkowski D26/124
D708,315 S * 7/2014 Wang D23/377
D744,634 S * 12/2015 Wang D23/411
D751,187 S * 3/2016 Dolan D23/377
D759,799 S * 6/2016 Wang D23/385
D771,794 S * 11/2016 Wang D23/411
D771,860 S * 11/2016 Weiss D26/110
D772,393 S * 11/2016 Wang D23/377
D773,634 S * 12/2016 Wang D23/385
D774,175 S * 12/2016 Wang D23/385
D774,176 S * 12/2016 Wang D23/385
D785,157 S * 4/2017 Wang D23/377
D788,283 S * 5/2017 Busta D23/377
D788,286 S * 5/2017 Busta D23/411
D789,511 S * 6/2017 Wang D23/377
D799,020 S * 10/2017 Guthrie D23/377
D799,661 S * 10/2017 Holmes D23/377
D799,665 S * 10/2017 Wang D23/377
D799,667 S * 10/2017 Wang D23/377
D801,515 S * 10/2017 Wang D23/411
D805,174 S * 12/2017 Guthrie D23/377
D805,625 S * 12/2017 Hagggar D23/377
D810,920 S * 2/2018 Hagggar D23/377
D834,696 S * 11/2018 Schulzman D23/377
D838,357 S * 1/2019 Hagggar D23/411
2018/0128276 A1 * 5/2018 Li F04D 25/06
2018/0128277 A1 * 5/2018 Chia F04D 25/088

* cited by examiner

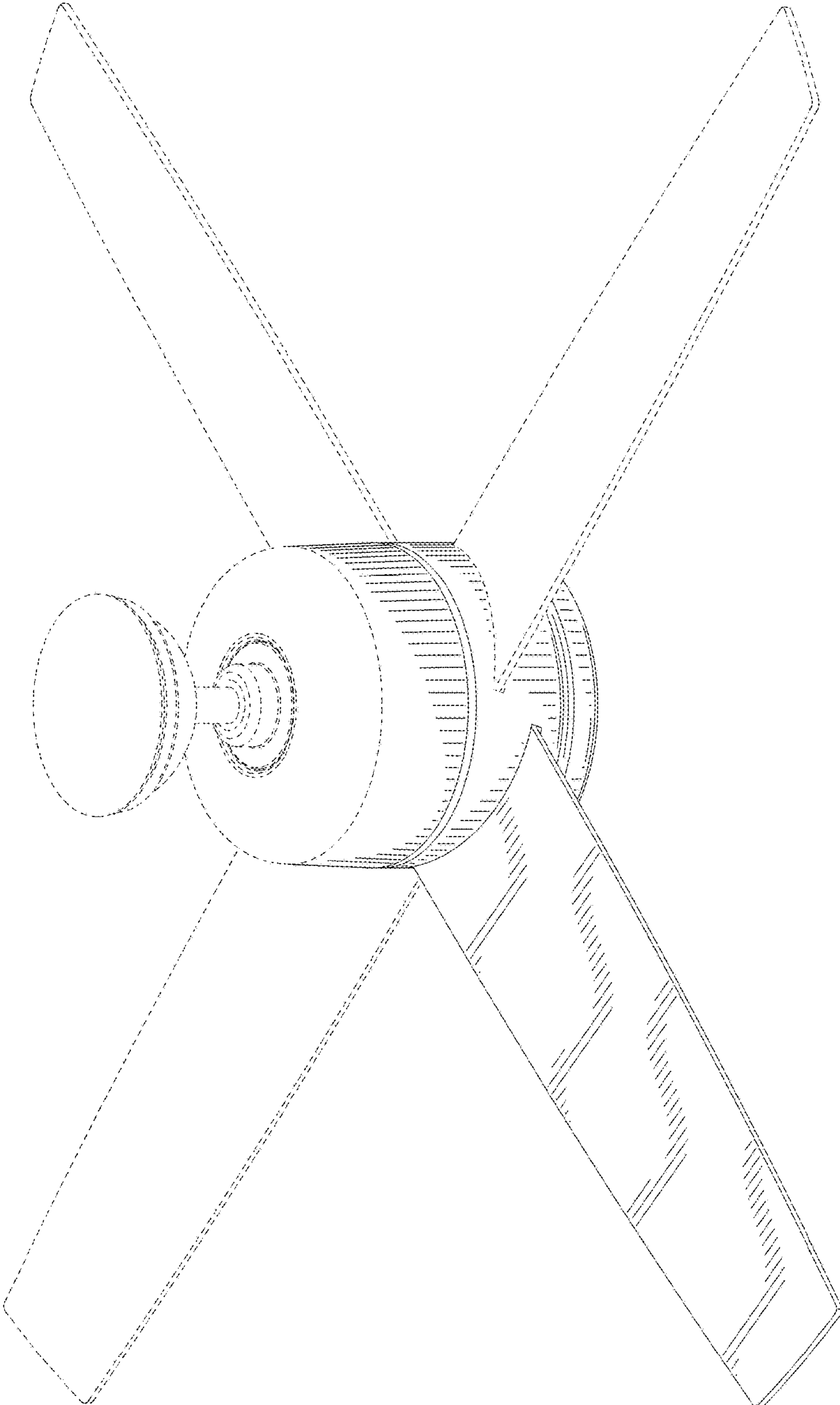


FIG.1

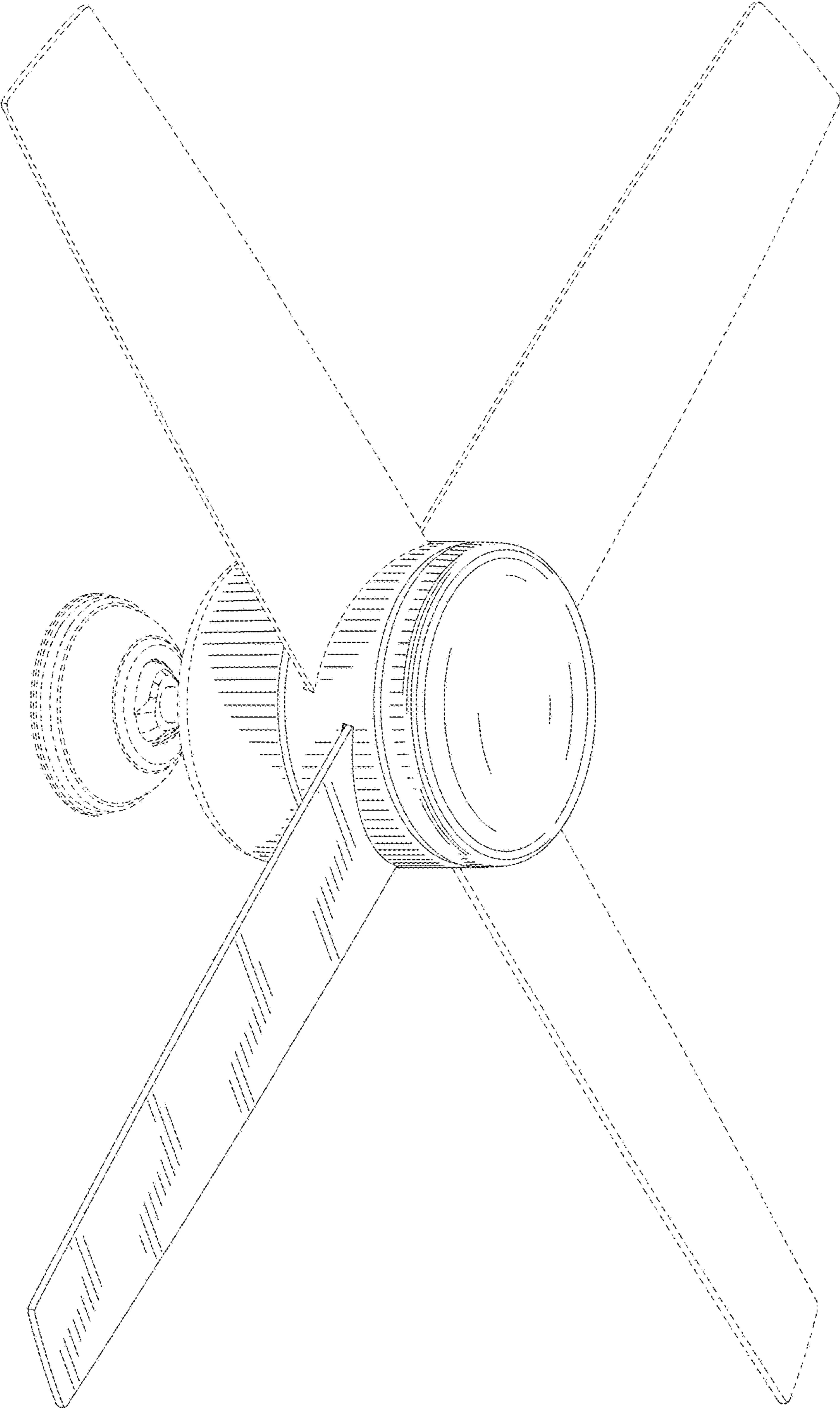


FIG.2

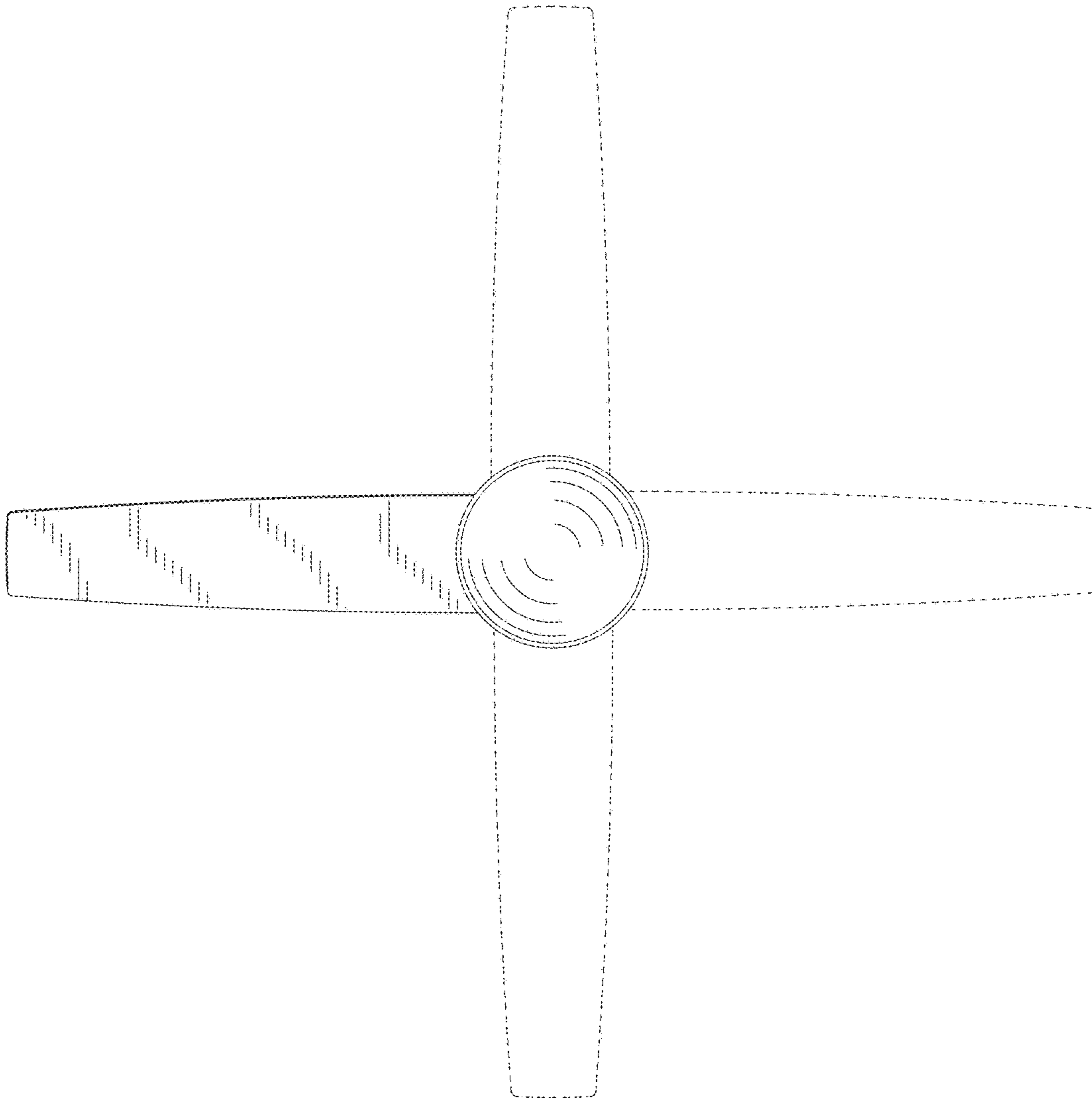


FIG.3

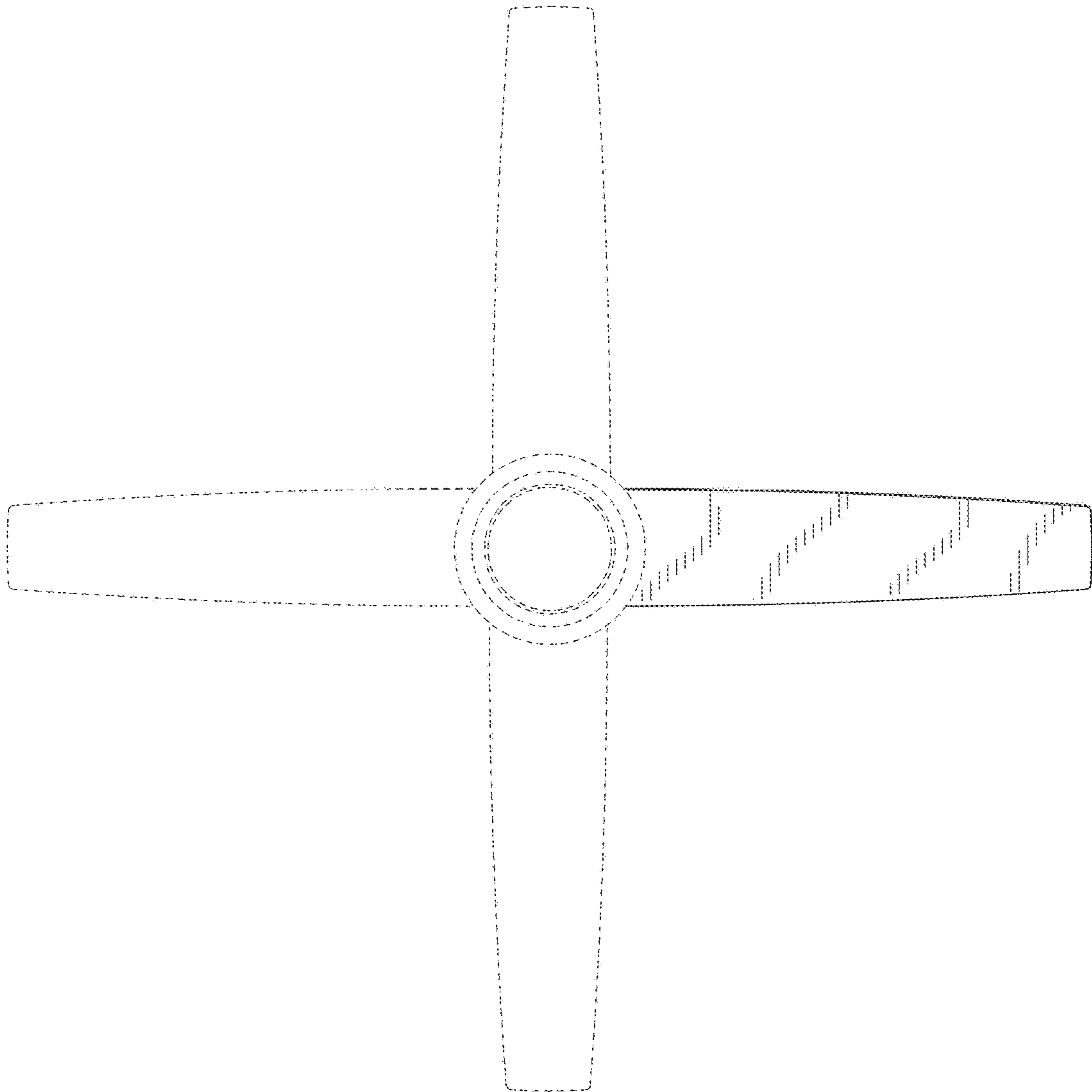


FIG.4

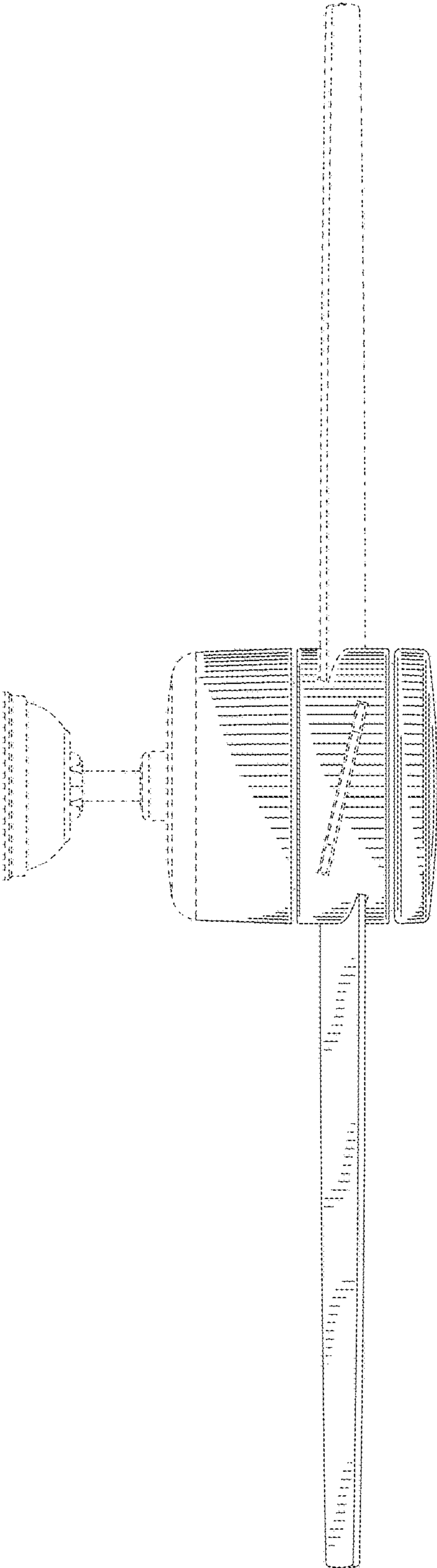


FIG.5

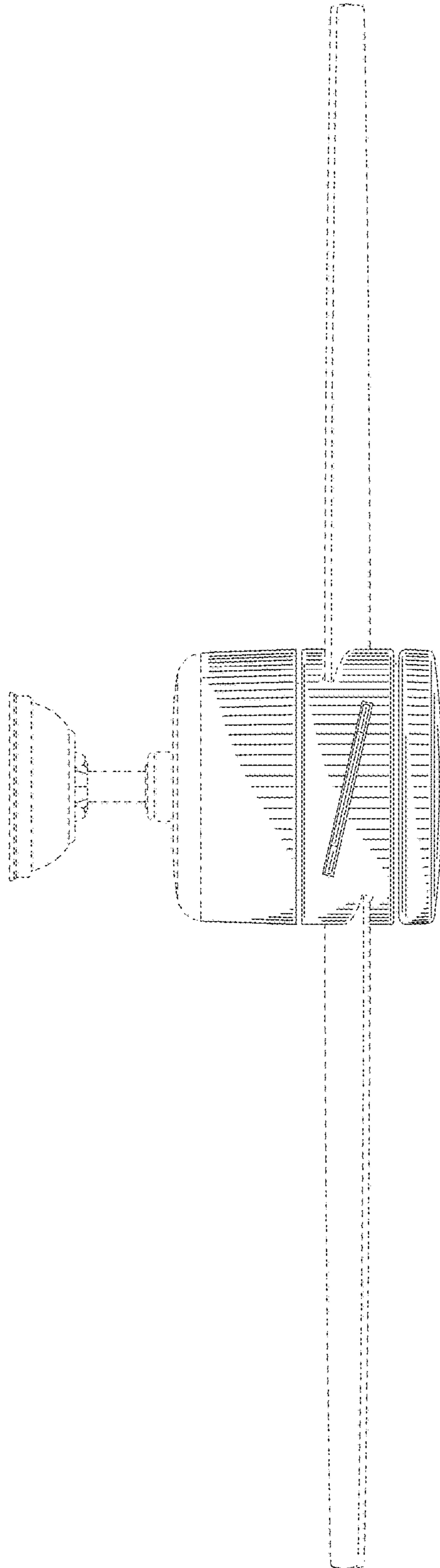


FIG.6

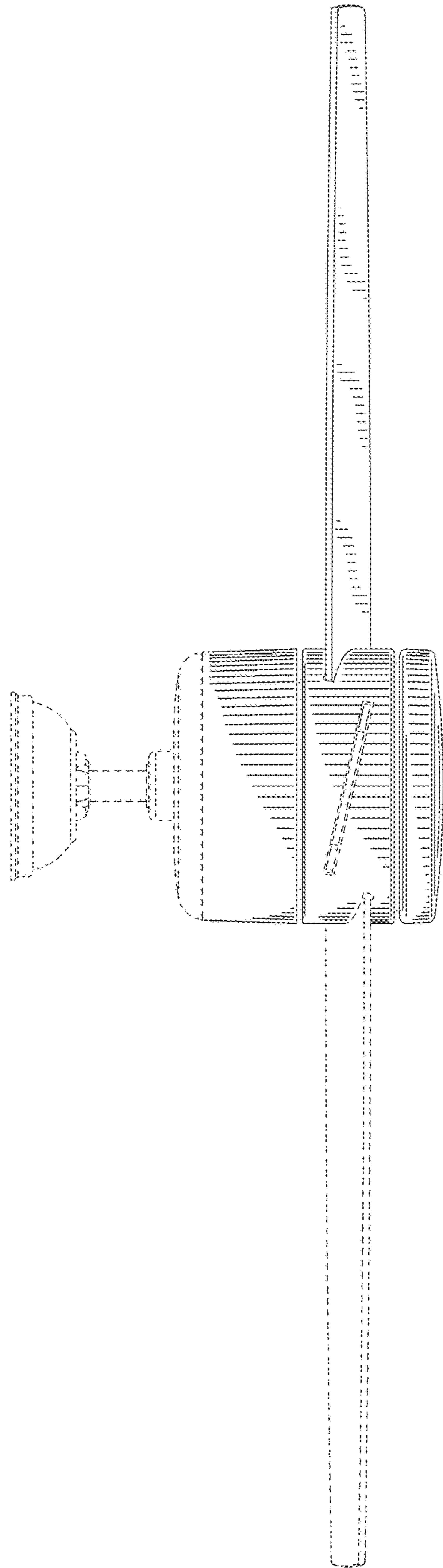


FIG. 7

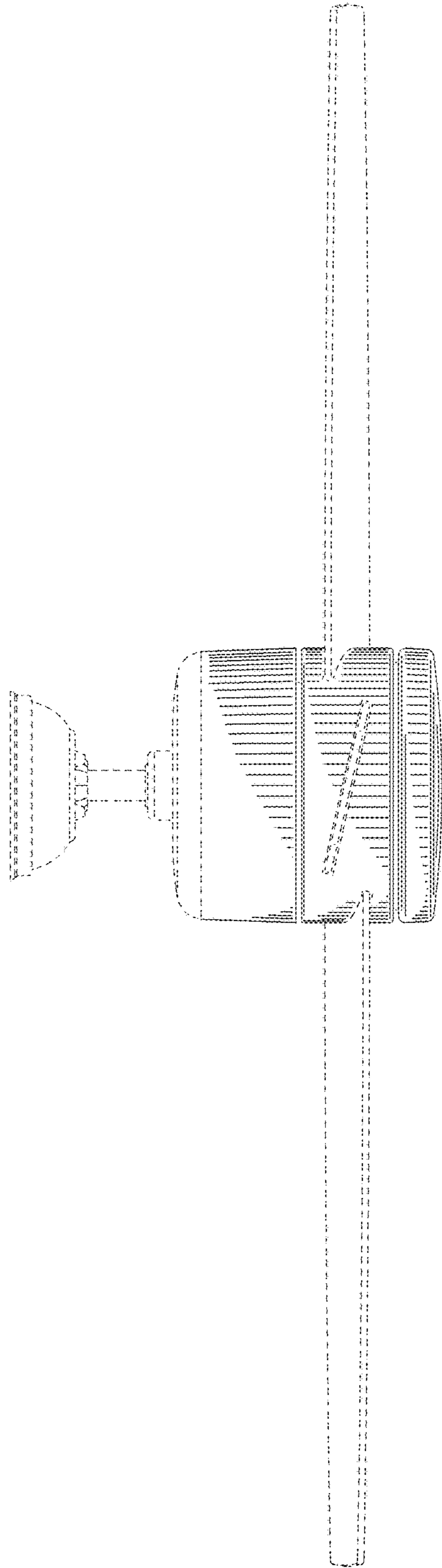


FIG. 8

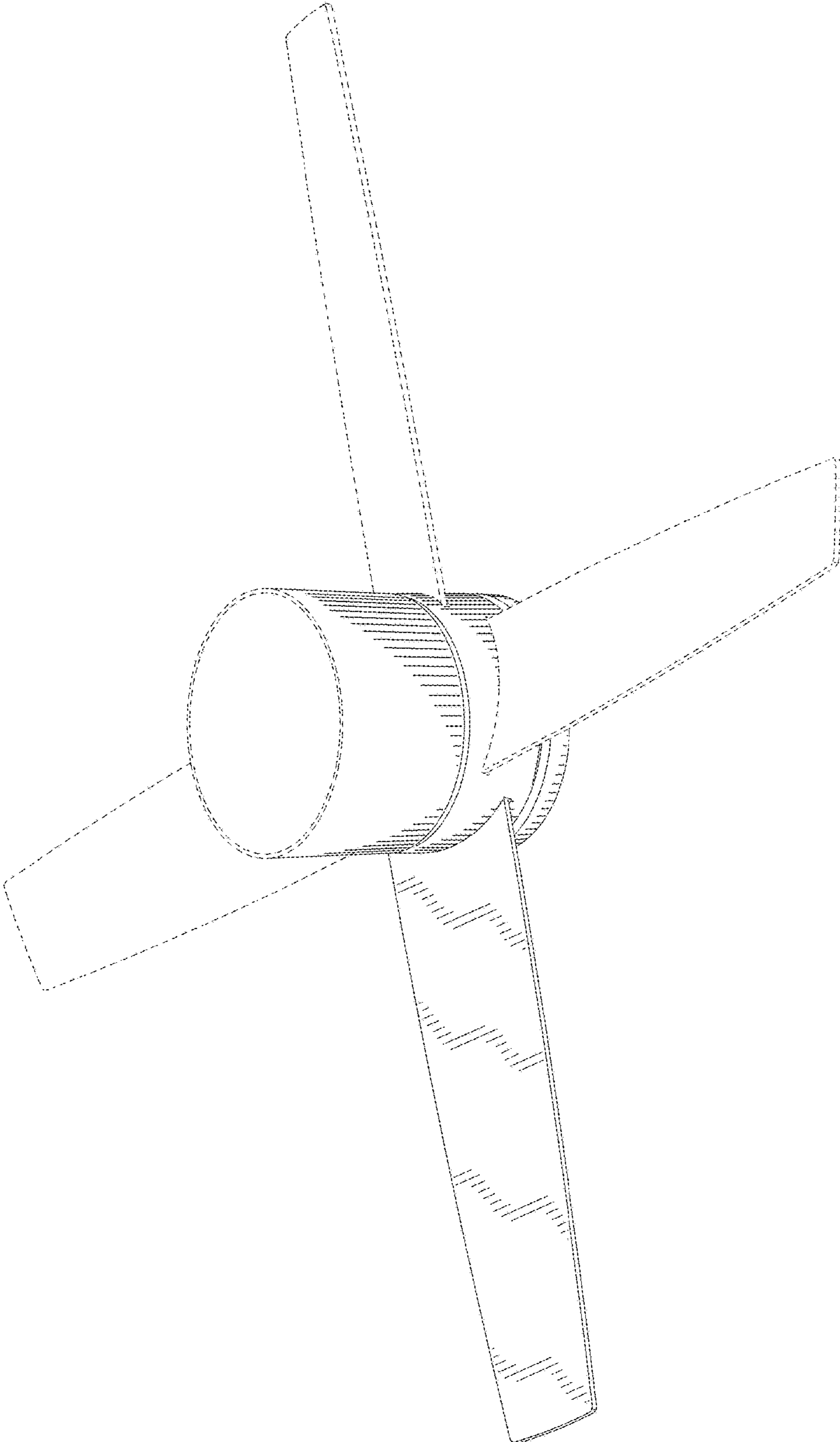


FIG. 9

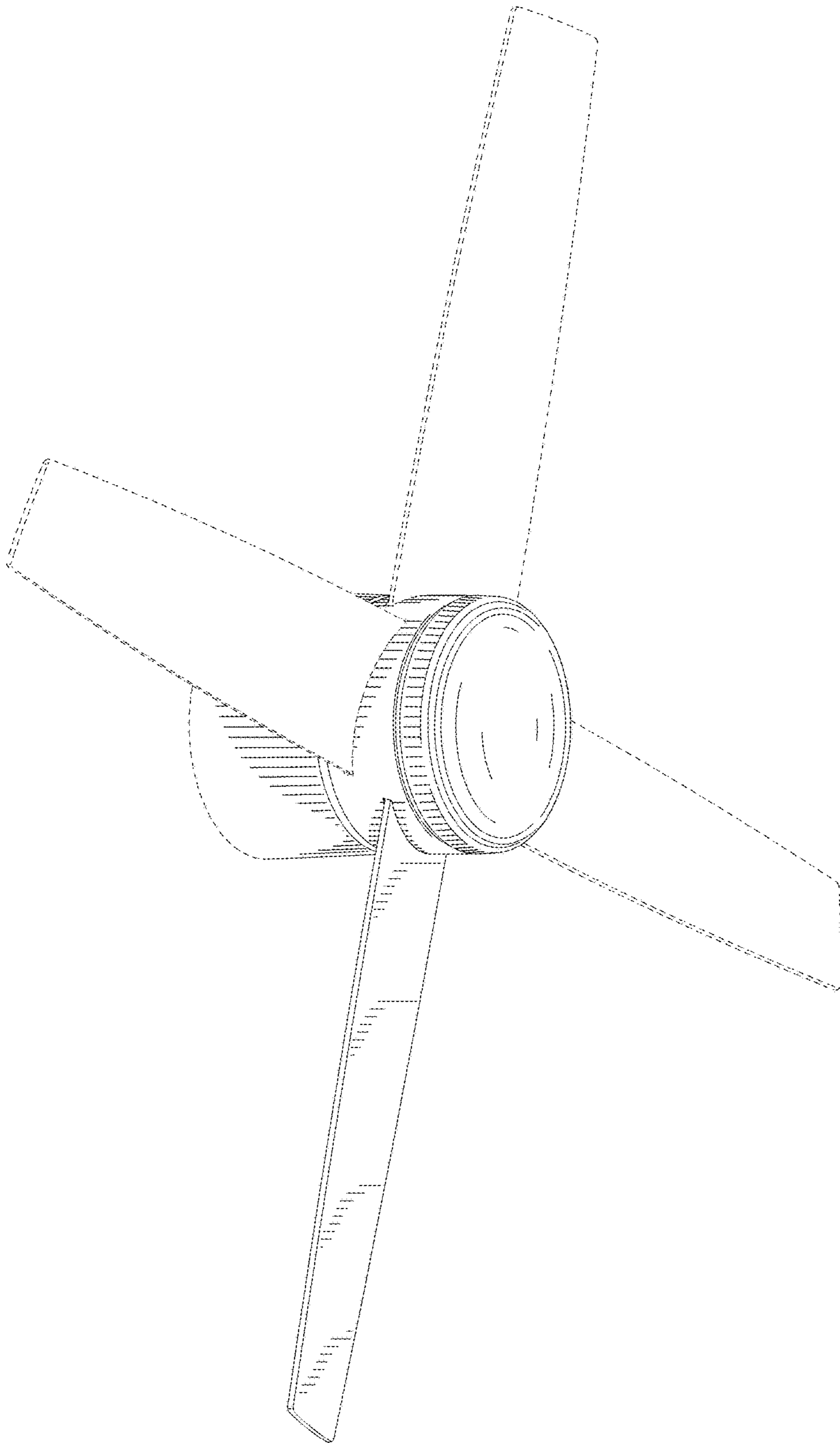


FIG. 10

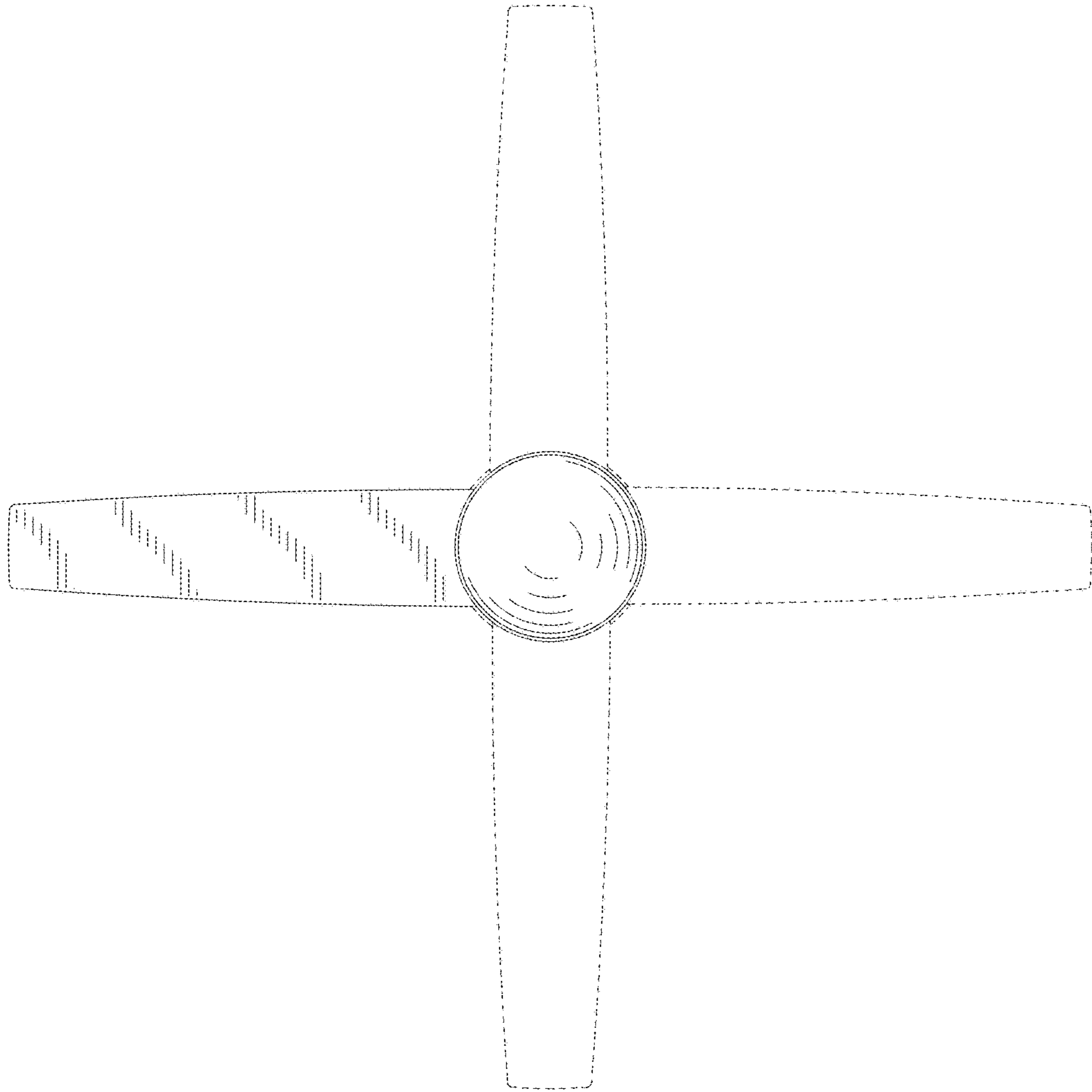


FIG.11

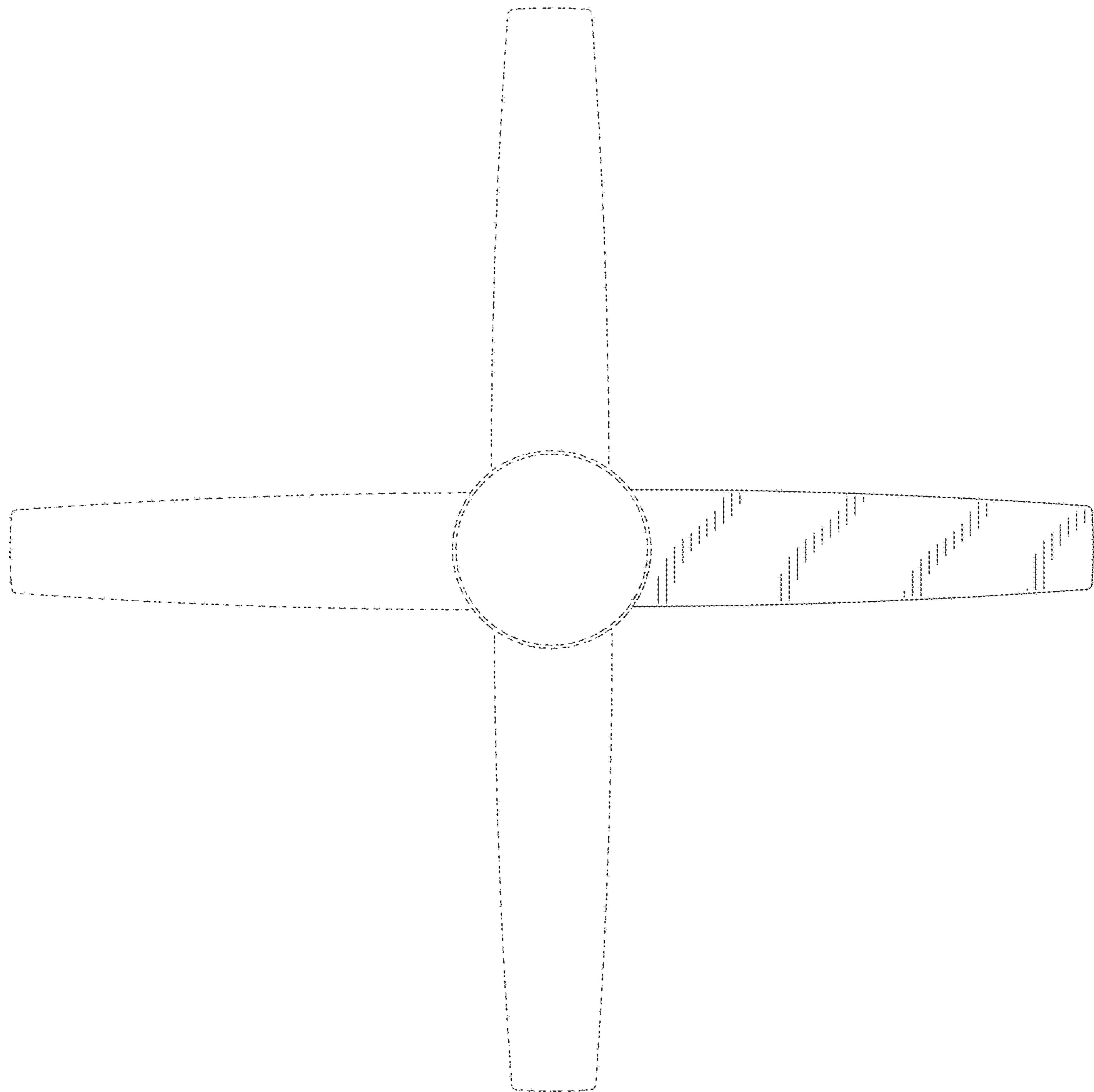


FIG. 12

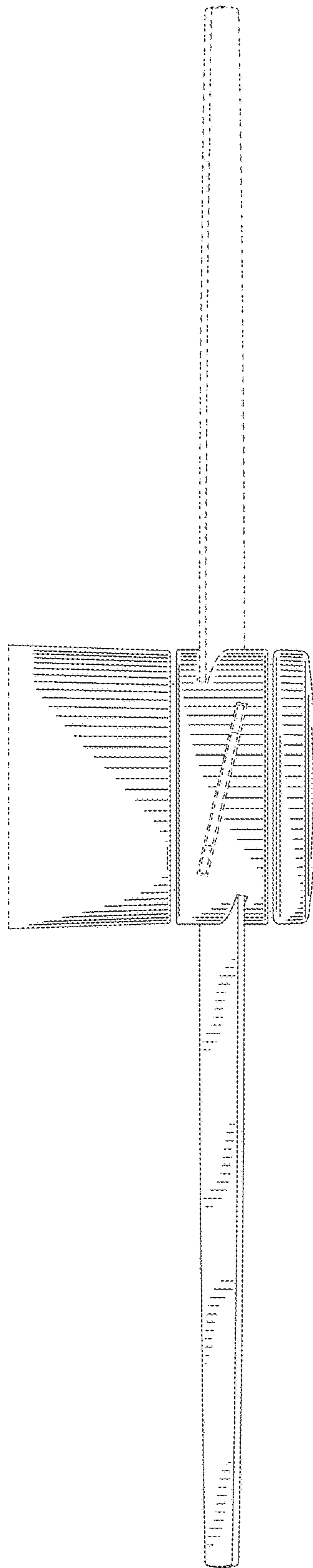


FIG.13

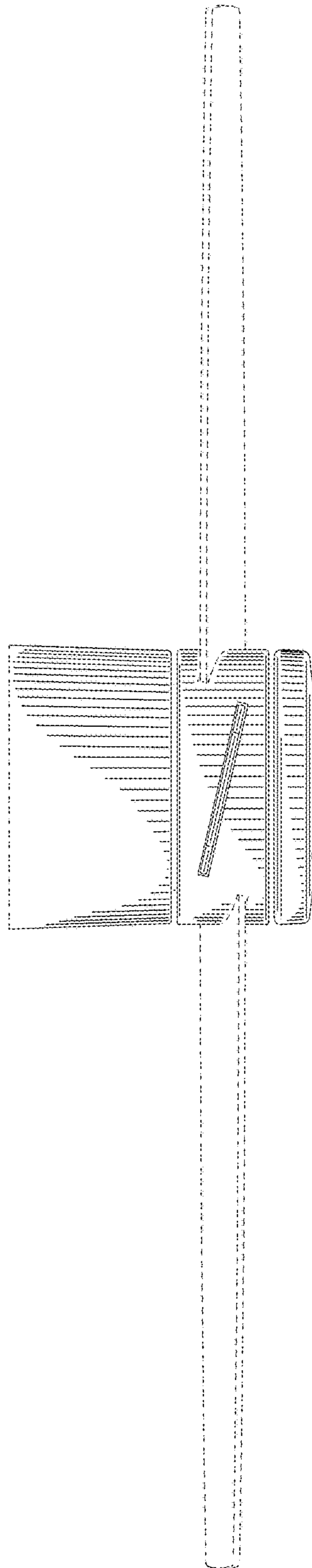


FIG.14

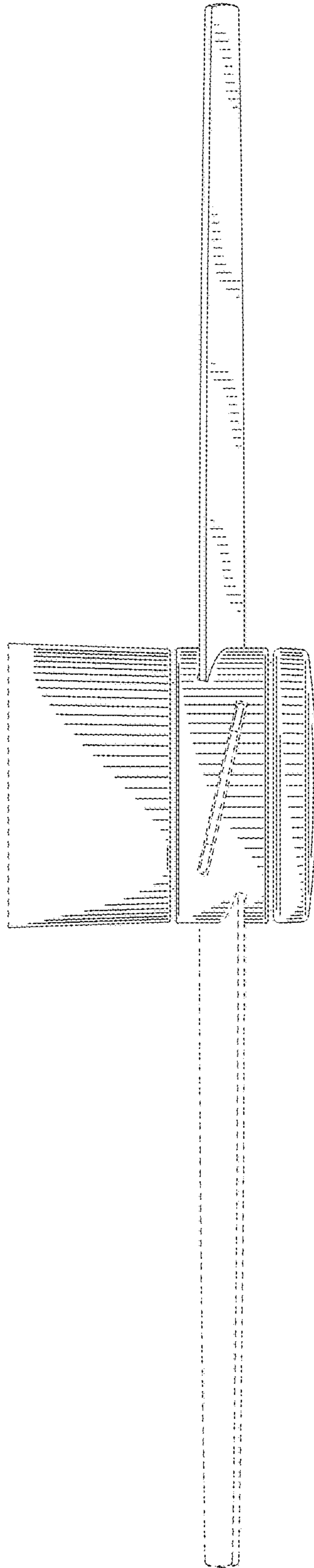


FIG.15

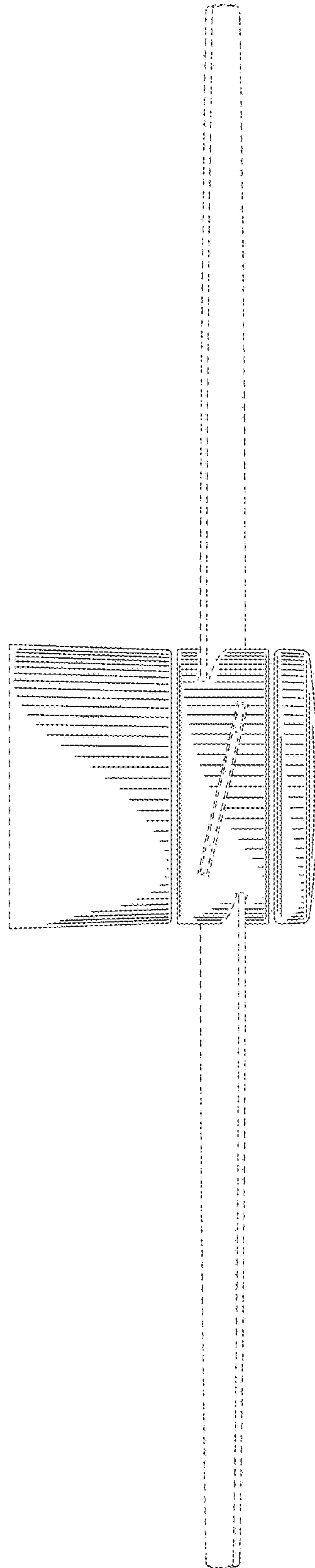


FIG.16