



US00D855788S

(12) **United States Design Patent** (10) **Patent No.:** **US D855,788 S**
Haggar (45) **Date of Patent:** **** Aug. 6, 2019**

(54) **CEILING FAN**
(71) Applicant: **HUNTER FAN COMPANY**,
Memphis, TN (US)
(72) Inventor: **Alexander Jonathan Haggar**,
Memphis, TN (US)
(73) Assignee: **Hunter Fan Company**, Memphis, TN
(US)

D607,600 S * 1/2010 Keith D26/104
D609,799 S * 2/2010 Lee D23/377
D627,046 S * 11/2010 Wang D23/377
D628,687 S * 12/2010 Yao D23/377
D628,688 S * 12/2010 Pan D23/377
D633,644 S * 3/2011 Sprengers D26/89
D694,463 S * 11/2013 Sieczkowski D26/124
D708,315 S * 7/2014 Wang D23/377
D715,917 S * 10/2014 Hidalgo D23/377
D744,634 S * 12/2015 Wang D23/411
D751,187 S * 3/2016 Dolan D23/377

(Continued)

(**) Term: **15 Years**

(21) Appl. No.: **29/608,177**

(22) Filed: **Jun. 20, 2017**

(51) **LOC (12) Cl.** **23-04**

(52) **U.S. Cl.**
USPC **D23/377**

(58) **Field of Classification Search**
USPC D23/377, 379, 385, 411-414, 351, 352,
D23/354, 370, 371, 373-375, 381,
D23/386-389, 393; D26/59, 88, 89
CPC F04D 25/088; F04D 29/38; F04D 29/384;
F04D 29/386; F21V 33/0096
See application file for complete search history.

(56) **References Cited**

U.S. PATENT DOCUMENTS

D297,974 S 10/1988 Sonneman
D314,618 S * 2/1991 Yen D23/377
D328,491 S 8/1992 Markwardt
D357,978 S * 5/1995 Young D23/377
D453,216 S * 1/2002 Gajewski D23/377
D544,979 S * 6/2007 Hartmann, Jr. D26/74
D561,374 S * 2/2008 Hartmann, Jr. D26/74
D565,230 S * 3/2008 Hetfield D26/72
D584,396 S * 1/2009 Bucher D23/377
D594,543 S * 6/2009 Pan D23/377
D595,004 S * 6/2009 Pan D26/59
D599,461 S * 9/2009 Ertze D23/377
D605,751 S * 12/2009 Yang D23/377

OTHER PUBLICATIONS

www.montecarlofans.com/33062/52-Clarity-Rubberized-White-3CLYR52RZWD, Item Specification for Clarity Collection, Matte White, Accessed Jun. 19, 2017.

(Continued)

Primary Examiner — Cathron C Brooks
Assistant Examiner — Sharon S Oum
(74) *Attorney, Agent, or Firm* — McGarry Bair PC

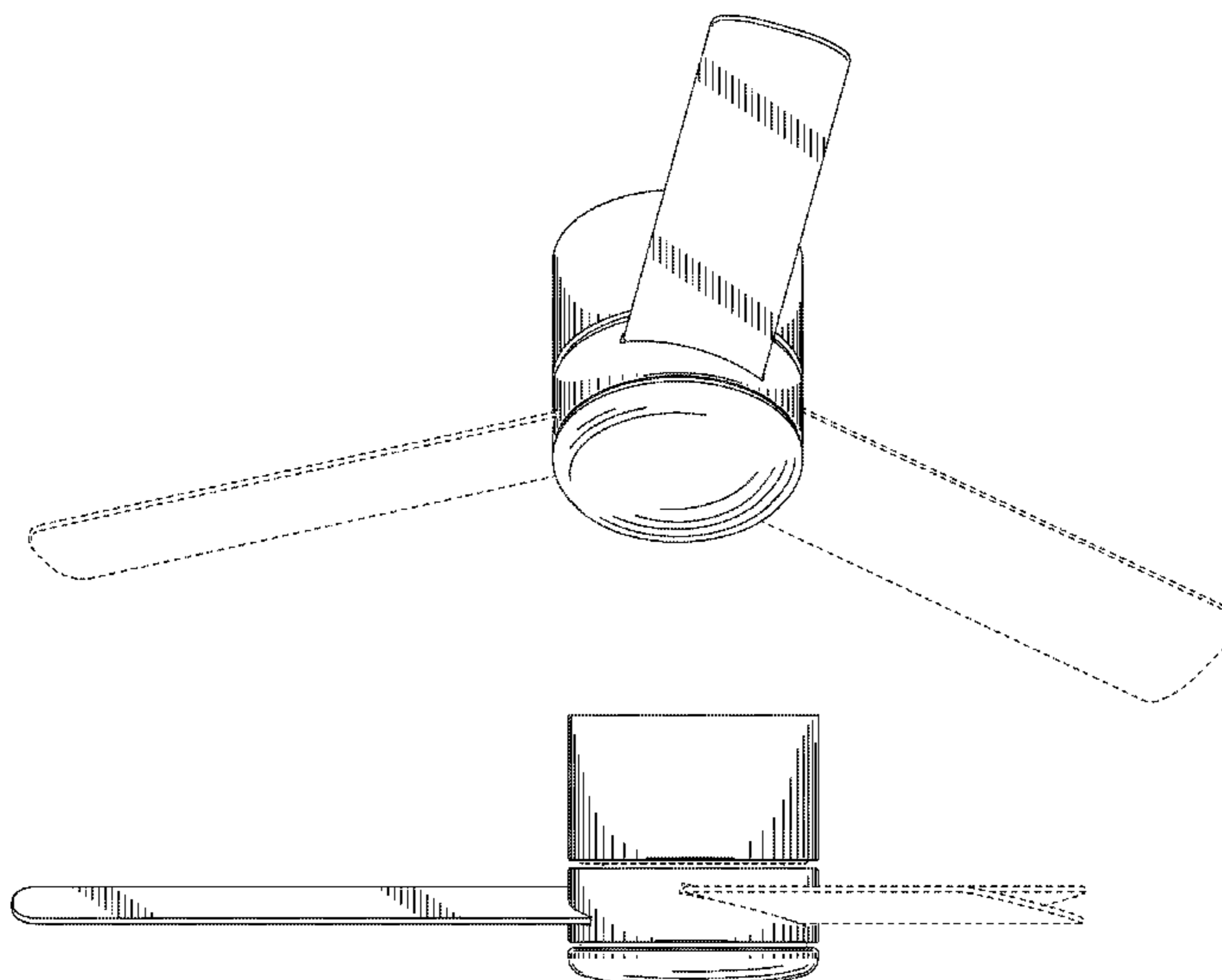
(57) **CLAIM**

The ornamental design for a ceiling fan, as shown and described.

DESCRIPTION

FIG. 1 is a bottom perspective view of a ceiling fan; FIG. 2 is a top perspective view of the ceiling fan of FIG. 1; FIG. 3 is a left side view of the ceiling fan of FIG. 1; FIG. 4 is a rear side view of the ceiling fan of FIG. 1; FIG. 5 is a right side view of the ceiling fan of FIG. 1; FIG. 6 is a front side view of the ceiling fan of FIG. 1; FIG. 7 is a top view of the ceiling fan of FIG. 1; and, FIG. 8 is a bottom view of the ceiling fan of FIG. 1. Portions of the ceiling fan shown in broken line form no part of the claimed design.

1 Claim, 8 Drawing Sheets



(56)

References Cited

U.S. PATENT DOCUMENTS

D759,799 S * 6/2016 Wang D23/385
 D769,506 S * 10/2016 Orozco D26/82
 D771,794 S * 11/2016 Wang D23/411
 D771,860 S * 11/2016 Weiss D26/110
 D772,393 S * 11/2016 Wang D23/377
 D774,175 S * 12/2016 Wang D23/385
 D785,157 S * 4/2017 Wang D23/377
 D788,283 S * 5/2017 Busta D23/377
 D788,286 S * 5/2017 Busta D23/411
 D799,665 S * 10/2017 Wang D23/377
 D799,667 S * 10/2017 Wang D23/377
 D801,515 S * 10/2017 Wang D23/411
 D805,174 S * 12/2017 Guthrie D23/377
 D805,625 S * 12/2017 Haggar D23/377
 D808,510 S * 1/2018 Gajewski D23/377
 D810,920 S * 2/2018 Haggar D23/377
 D834,696 S * 11/2018 Schulzman D23/377
 D838,357 S * 1/2019 Haggar D23/411
 2018/0128276 A1 * 5/2018 Li F04D 25/06
 2018/0128277 A1 * 5/2018 Chia F04D 25/088

OTHER PUBLICATIONS

<http://www.kichler.com/products/product/52-arkwet-patio-ceiling-fan-mwh-339529mwh>, Item Specification for Kichler Arkwet Patio Collection, 52" Arkwet Patio Ceiling Fan MWH, Accessed Jun. 19, 2017.
<http://www.montecarlofans.com/50453/56-Vision-Max---Rubberized-White-3VNMR56RZWD>, Item Specification for Monte Carlo Vision Max Collection, Matte White, Accessed Jun. 19, 2017.
<http://www.homedepot.com/p/Hampton-Bay-Northport-52-in-Brushed-Nickel-Ceiling-Fan-14926/202790687>, Item Specification for Hampton Bay Northport 52 in. Brushed Nickel Ceiling Fan, Accessed Jun. 19, 2017.
<http://www.montecarlofans.com/50446/52-Discus-Trio---Brushed-Steel-3DIR52BSD>, Item Specification for Monte Carlo Discus Trio Collection, Brushed Steel, Accessed Jun. 19, 2017.
<http://www.kichler.com/products/product/60-bowen-ceiling-fan-mwh-330243mwh>, Kichler Bowen Ceiling Fan Collection 60" Bowen Ceiling Fan MWH, Accessed Jun. 19, 2017.

* cited by examiner

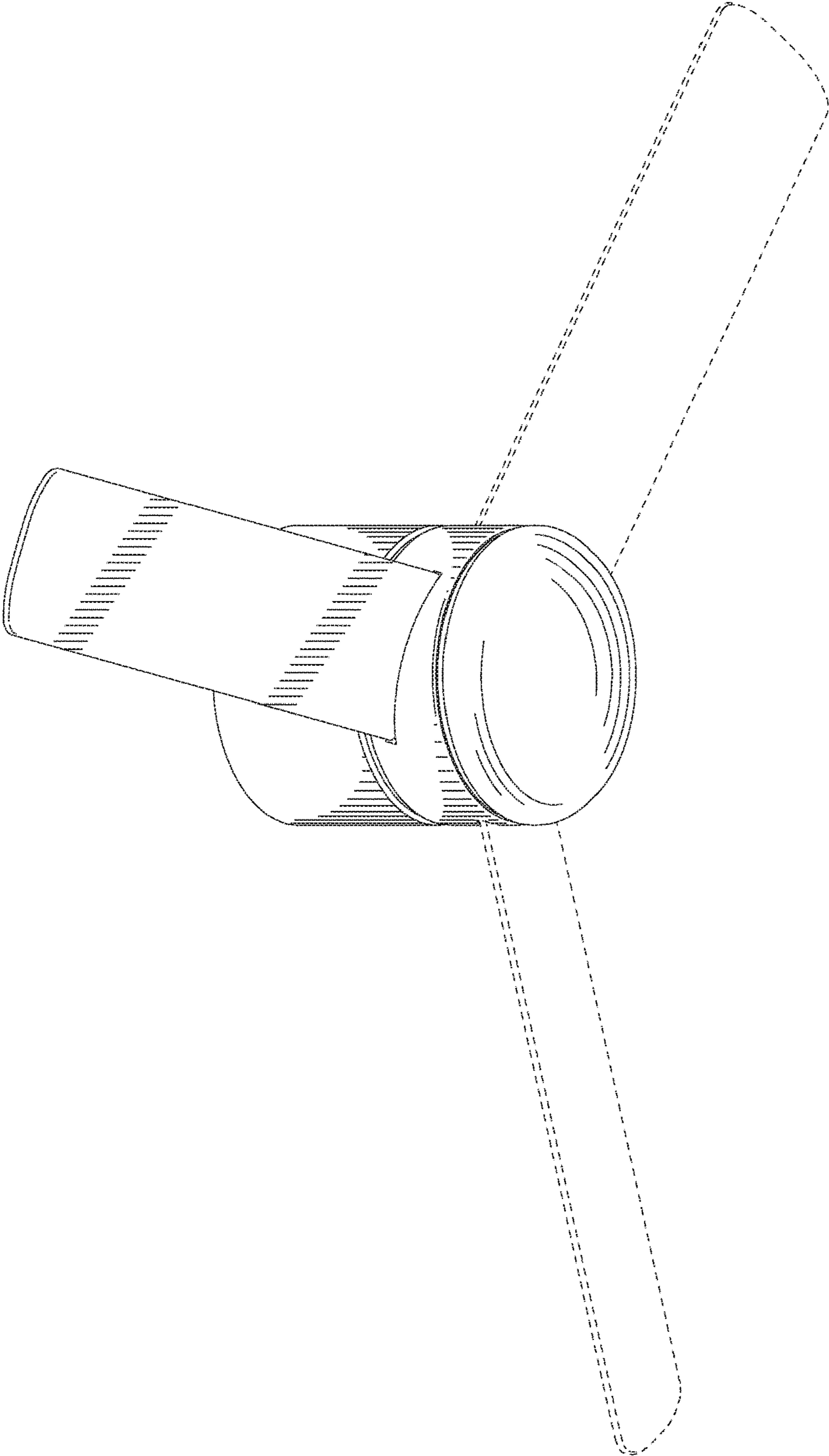


FIG.1

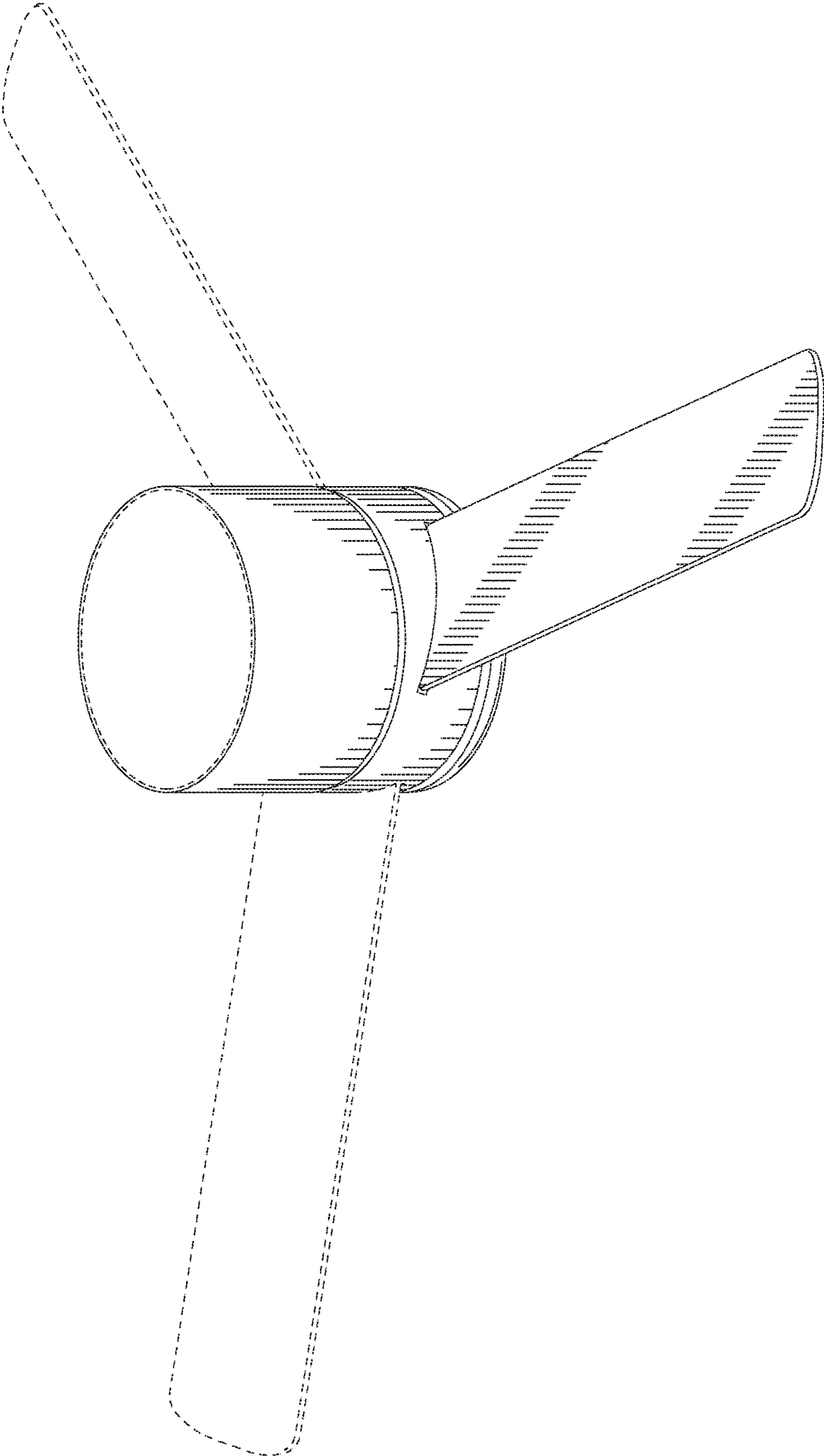


FIG.2

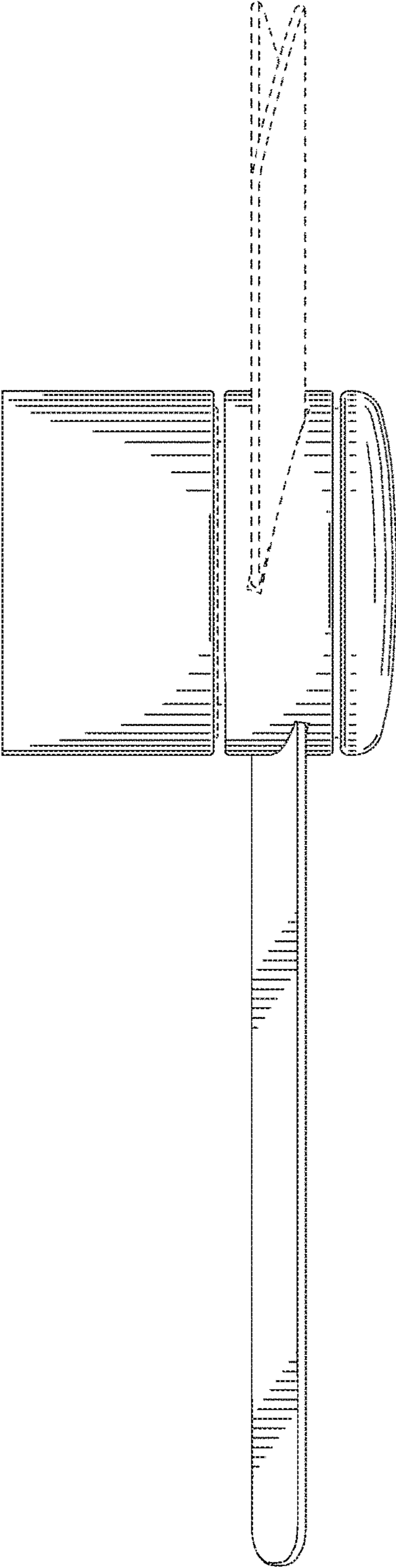


FIG.3

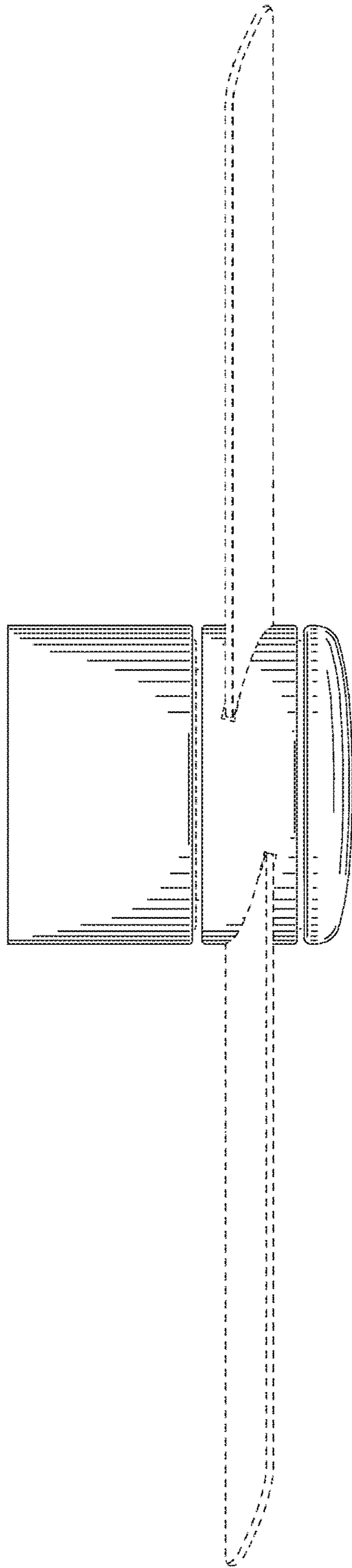


FIG.4

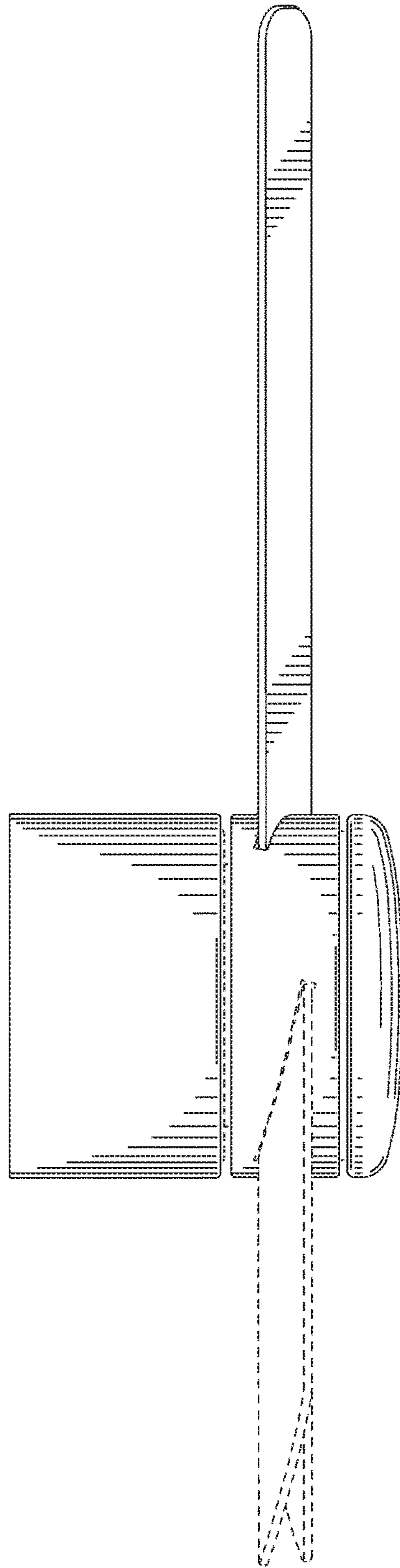


FIG. 5

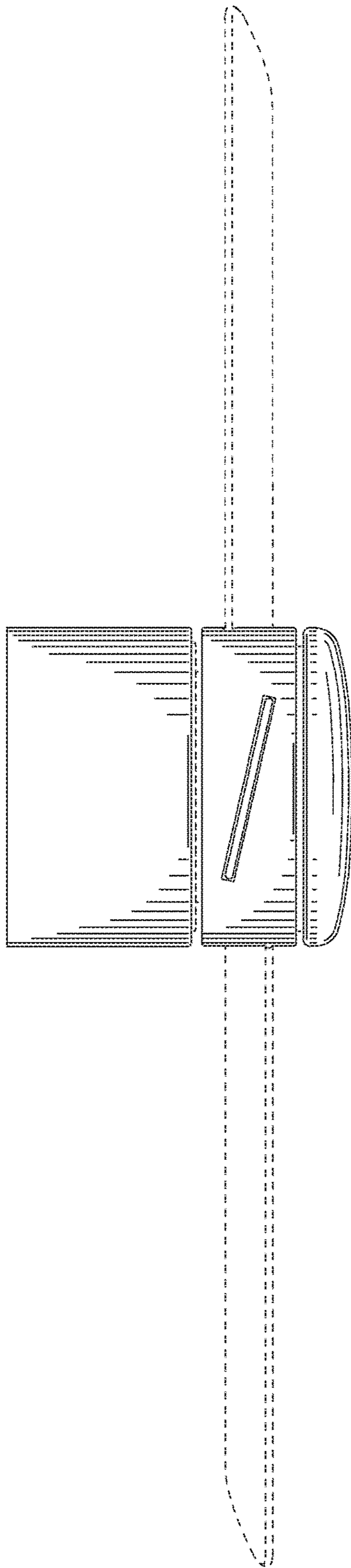


FIG.6

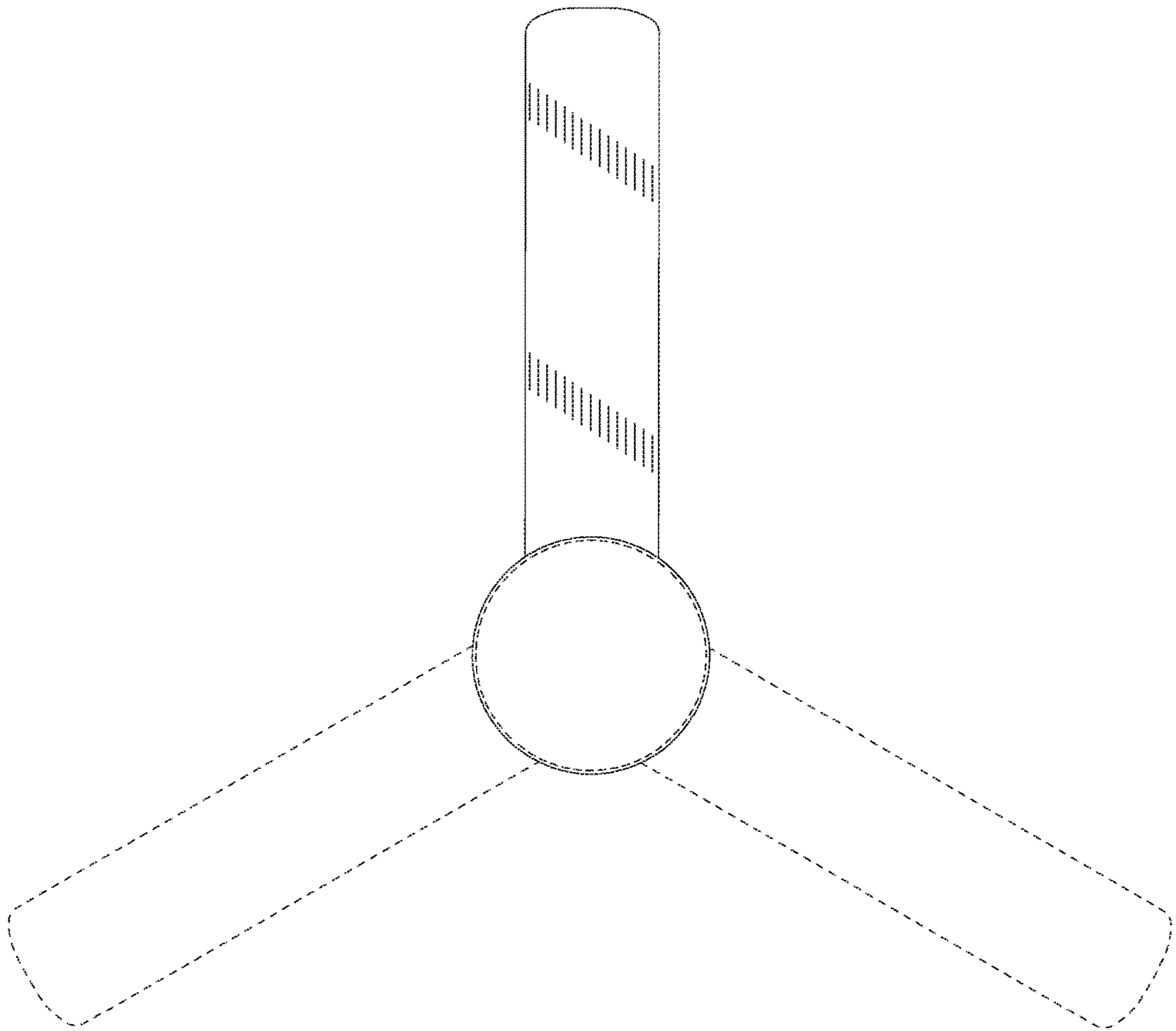


FIG. 7

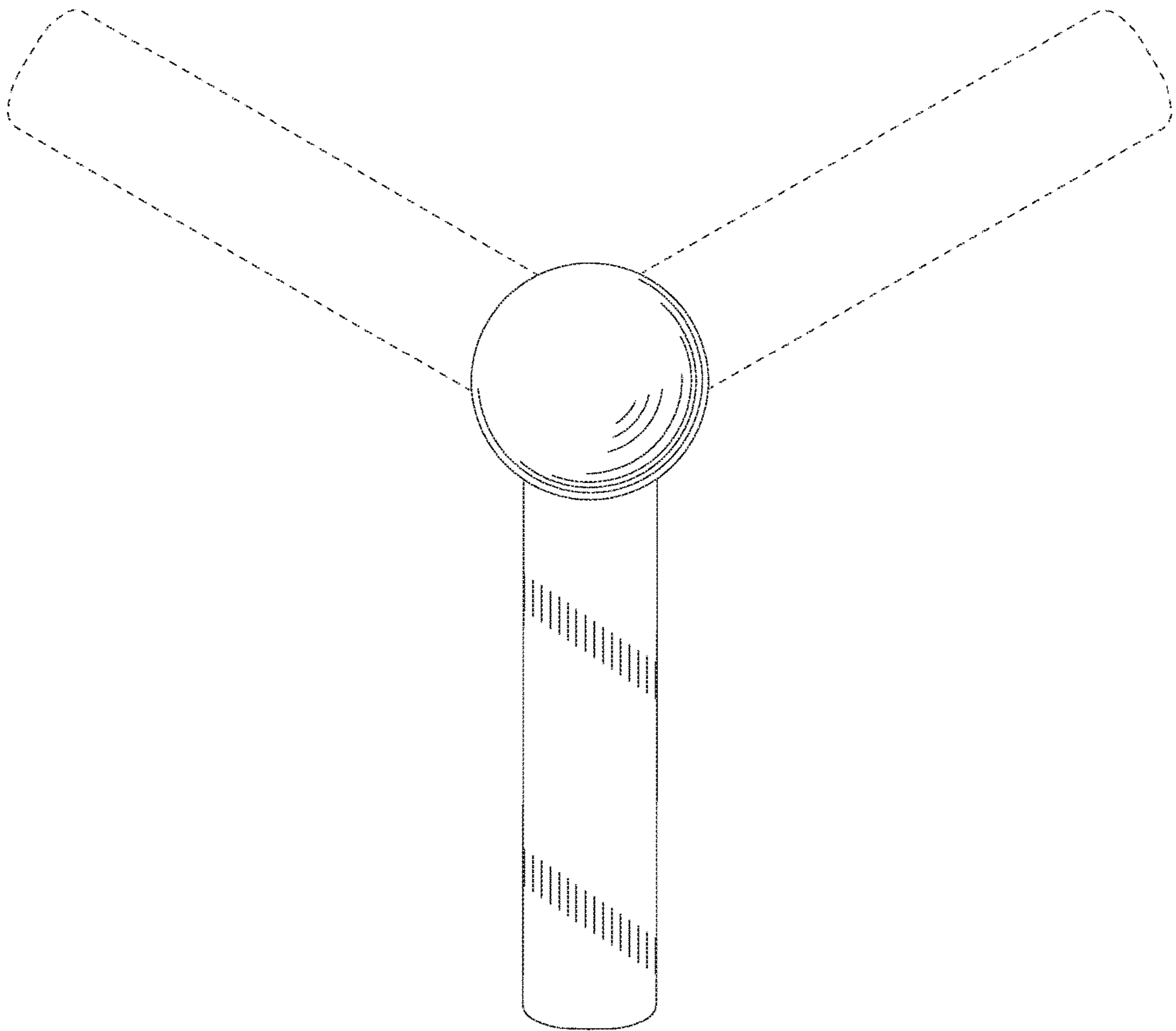


FIG.8