



US00D855787S

(12) **United States Design Patent**  
**Sakamoto**

(10) **Patent No.:** **US D855,787 S**

(45) **Date of Patent:** **\*\* Aug. 6, 2019**

(54) **AIR CIRCULATOR**

(71) Applicant: **IRIS OHYAMA INC.**, Sendai-shi,  
Miyagi (JP)

(72) Inventor: **Masaharu Sakamoto**, Kakuda (JP)

(73) Assignee: **IRIS OHYAMA INC.**, Sendai-shi (JP)

(\*\*) Term: **15 Years**

(21) Appl. No.: **29/641,246**

(22) Filed: **Mar. 20, 2018**

(51) **LOC (12) Cl.** ..... **23-04**

(52) **U.S. Cl.**

USPC ..... **D23/370**; D23/355

(58) **Field of Classification Search**

USPC ..... D23/314, 317, 324, 328, 332-337, 342,  
D23/351, 352, 355, 356, 359, 362, 364,  
D23/370-376, 378, 379, 381-385,  
D23/411-414

CPC ..... F04D 25/08; F04D 29/38; F04D 29/384;  
F04D 29/386

See application file for complete search history.

(56) **References Cited**

**U.S. PATENT DOCUMENTS**

D113,643 S *	3/1939	Von	.....	D23/336
D149,715 S *	5/1948	Wisting et al.	.....	D23/336
D156,589 S *	12/1949	Wedderspoon	.....	D23/336
D157,824 S *	3/1950	Wright	.....	D23/333
D157,840 S *	3/1950	Carraway	.....	D23/352
3,790,081 A *	2/1974	Thornton	.....	A01M 1/2055 239/55
D274,353 S *	6/1984	Hoyle	.....	D23/352
D281,272 S *	11/1985	Lynch, Jr.	.....	D23/364
D341,417 S *	11/1993	Wortham	.....	D23/332
D343,231 S *	1/1994	Lim	.....	D14/210
D346,017 S *	4/1994	Lim	.....	D23/332
D365,388 S *	12/1995	Williams	.....	D23/332
D365,389 S *	12/1995	Williams	.....	D23/336
D374,712 S *	10/1996	Jane	.....	D23/332
D389,905 S *	1/1998	Montague, III	.....	D23/314
D397,197 S *	8/1998	Ito	.....	D23/336
D493,873 S *	8/2004	Hayashi	.....	D23/314

(Continued)

**FOREIGN PATENT DOCUMENTS**

JP	1351974 S	2/2009
JP	1430458 S	12/2011
JP	1545555 S	3/2016

**OTHER PUBLICATIONS**

Levoit LV-H132 Air Purifier for Home with True HEPA Filter, date posted unknown, amazon.com, site visited Mar. 14, 2019, Copyright © 1996-2019, Available from Internet, <[https://www.amazon.com/LEVOIT-LV-H132-Purifier-Allergies-Eliminator/dp/B071D58ZY5/ref=sr\\_1\\_4?keywords=air+filter&qid=1552559986&s=gateway&sr=8-4](https://www.amazon.com/LEVOIT-LV-H132-Purifier-Allergies-Eliminator/dp/B071D58ZY5/ref=sr_1_4?keywords=air+filter&qid=1552559986&s=gateway&sr=8-4)>.\*

(Continued)

*Primary Examiner* — Cathron C Brooks

*Assistant Examiner* — Sharon S Oum

(74) *Attorney, Agent, or Firm* — Studebaker & Brackett PC

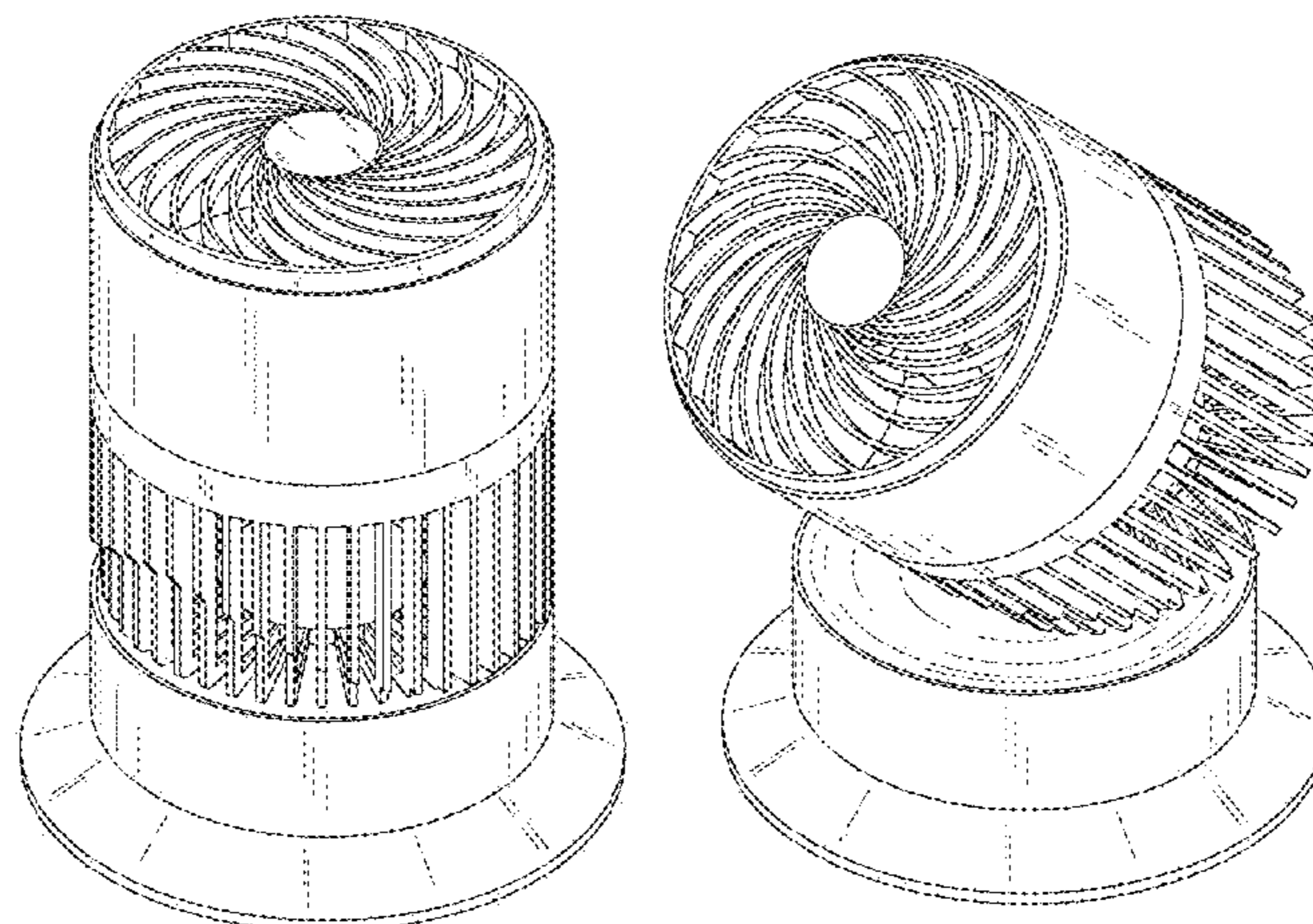
(57) **CLAIM**

The ornamental design for an air circulator, as shown and described.

**DESCRIPTION**

FIG. 1 is a front, top and right-side perspective view of an air circulator showing my new design; FIG. 2 is a front view thereof; FIG. 3 is a rear view thereof; FIG. 4 is a top view thereof; FIG. 5 is a bottom view thereof; FIG. 6 is a right-side view thereof, with a left-side view being a mirror image thereof; FIG. 7 is another perspective view thereof, but shown in an alternate position of use; and, FIG. 8 is another perspective view thereof, but shown in another alternate position of use.

**1 Claim, 8 Drawing Sheets**



(56)

**References Cited**

U.S. PATENT DOCUMENTS

D639,919 S \* 6/2011 Yu ..... D23/314  
D725,764 S \* 3/2015 Bisla ..... D23/370  
D831,811 S \* 10/2018 Cho ..... D23/364  
D835,766 S \* 12/2018 Chen ..... D23/364

OTHER PUBLICATIONS

Toshiba Corporation; Japan Patent Office Design Patent Department, publicly known reference No. HJ22017888; 3 pages.

Twinbird Industrial Co., Ltd.; KJ-EK01W; Japan Patent Office Design Patent Department, publicly known reference No. HJ20039720; 3 pages.

\* cited by examiner

FIG. 1

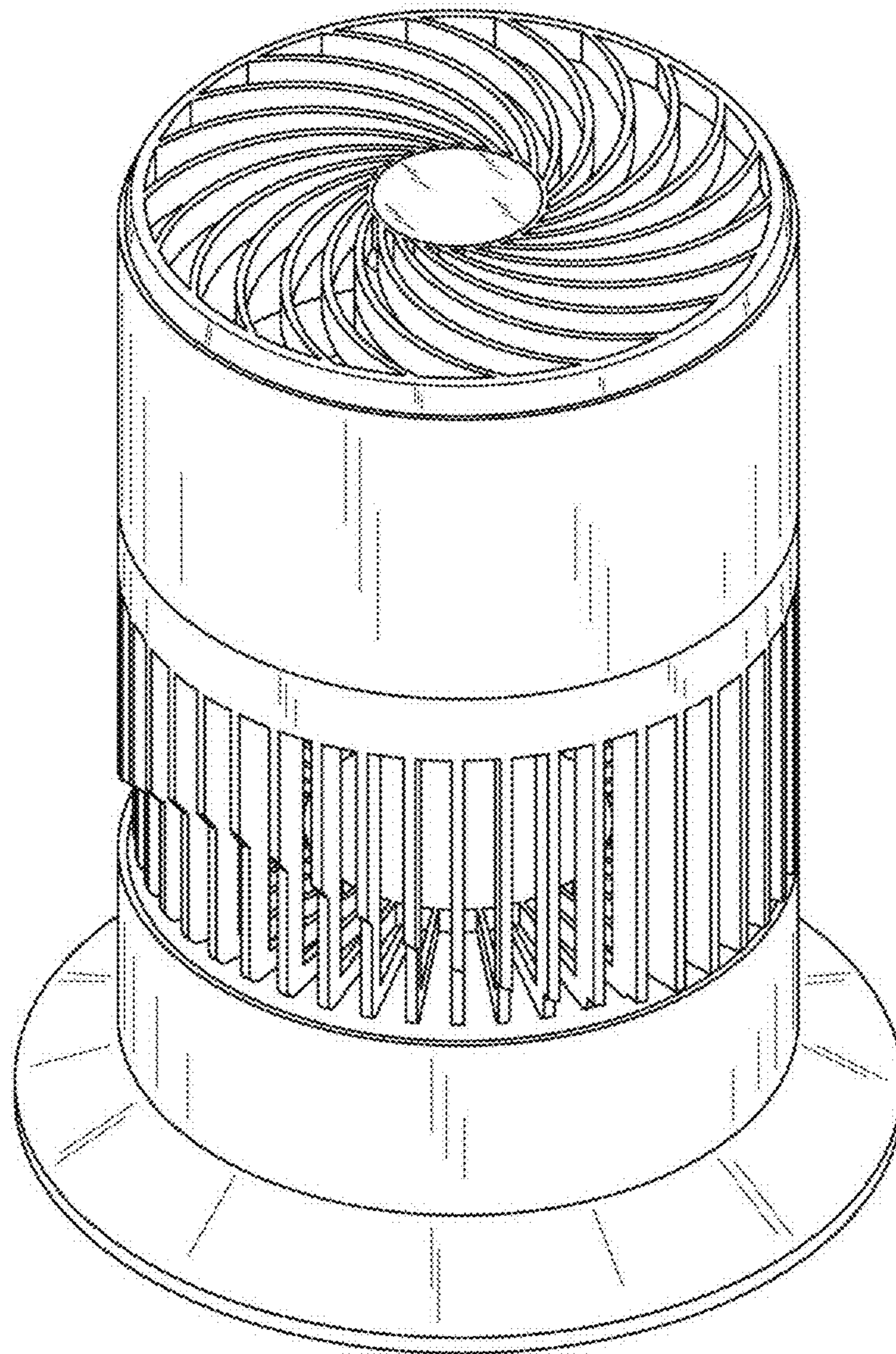


FIG. 2

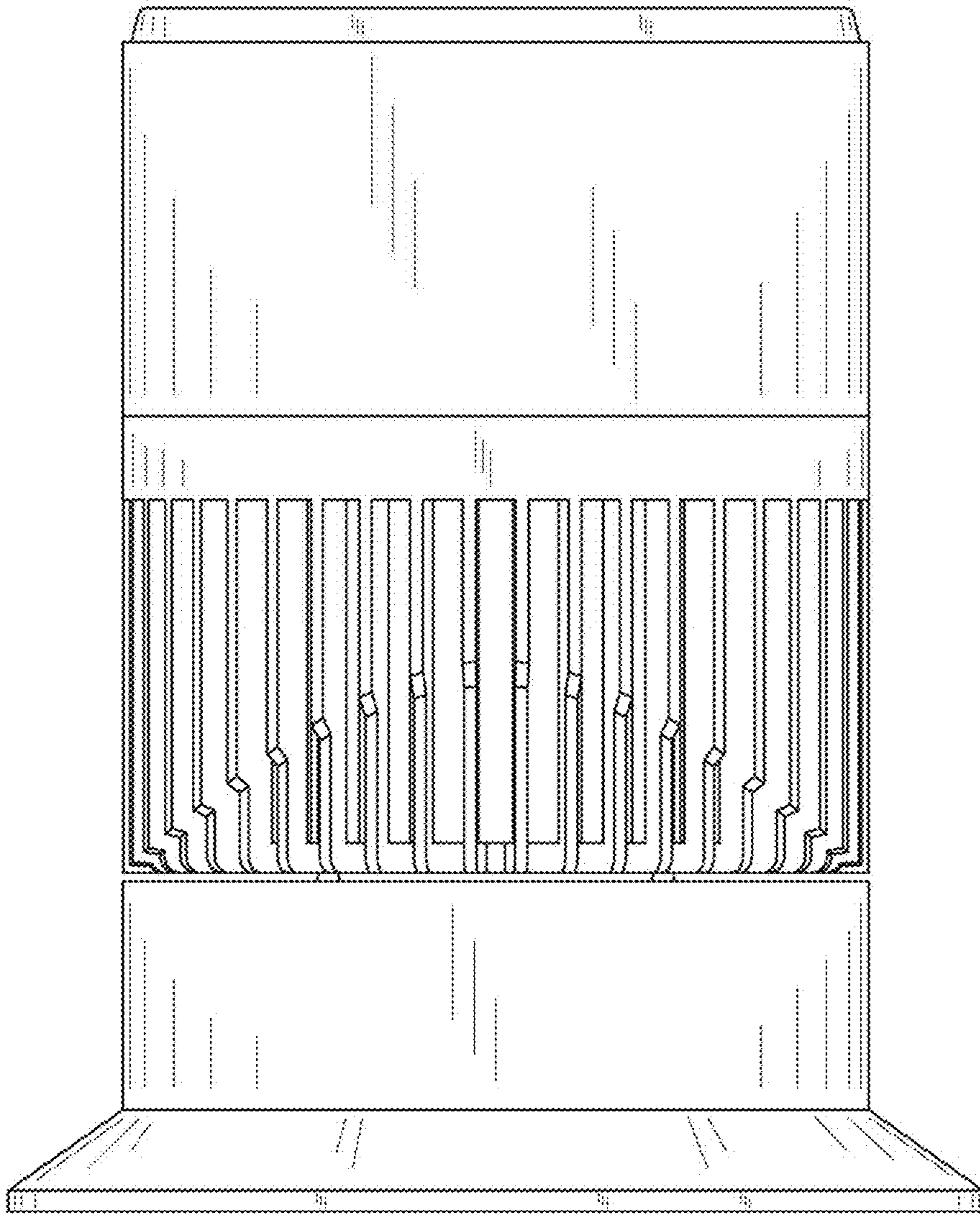


FIG. 3

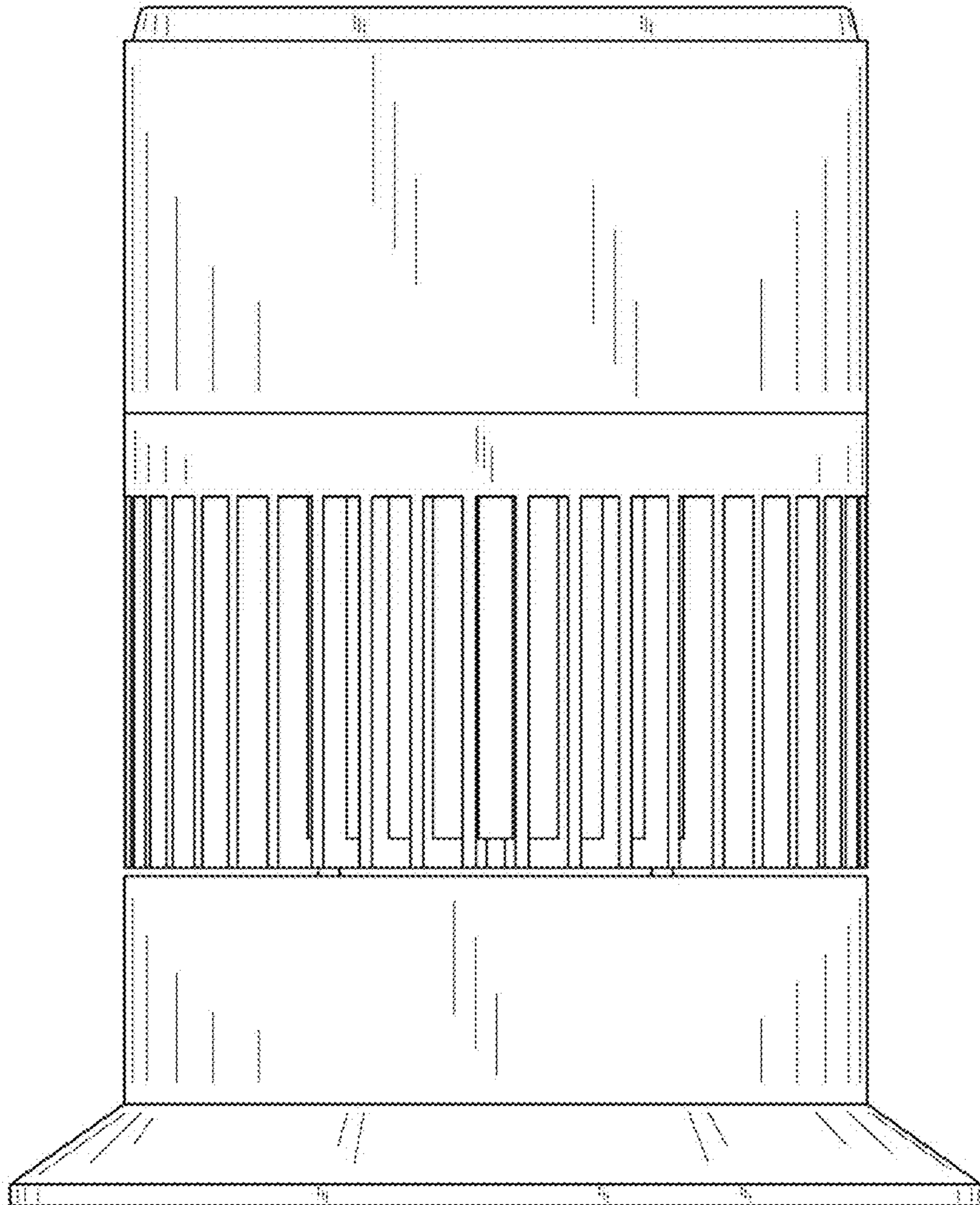


FIG. 4

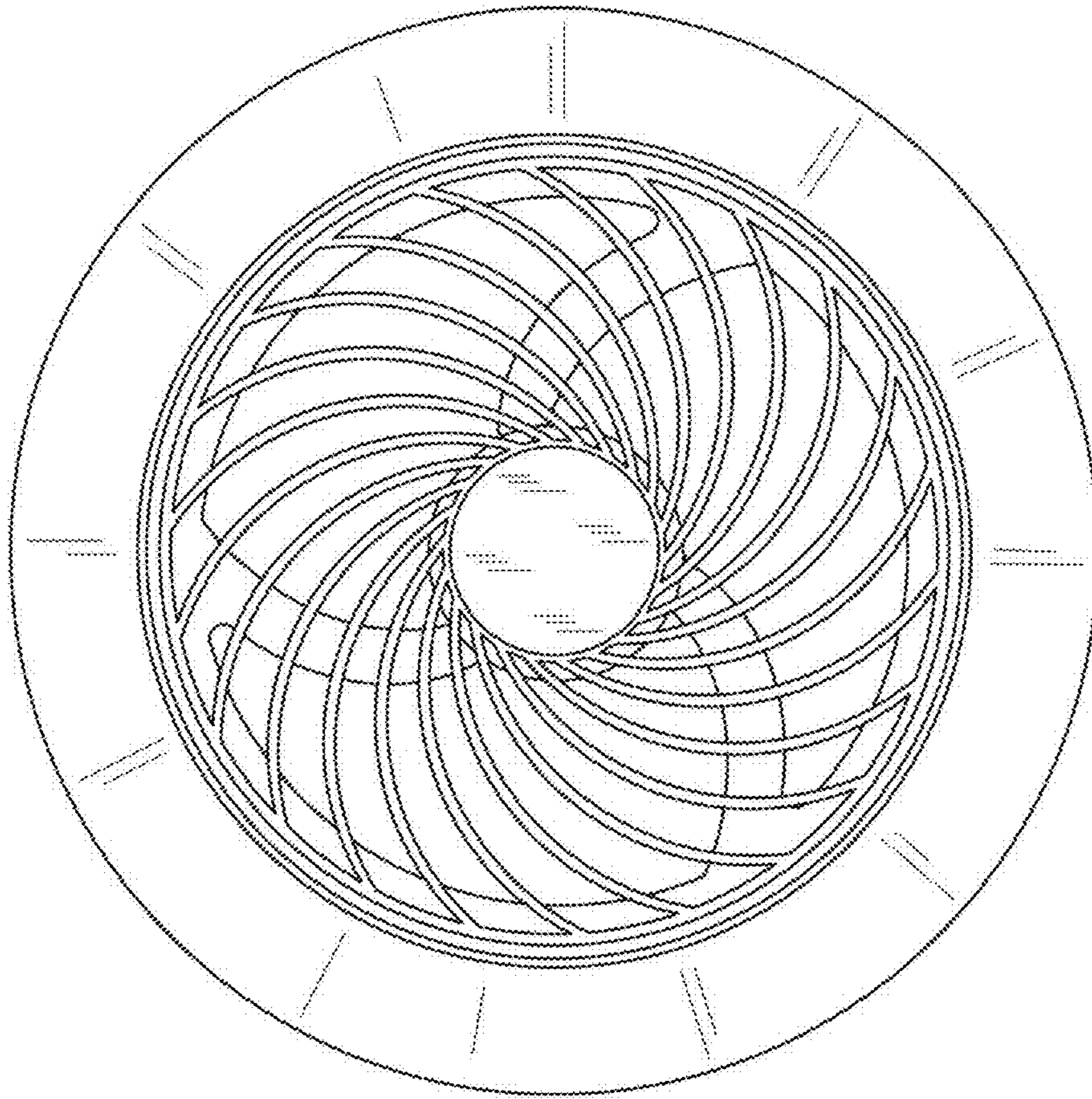


FIG. 5

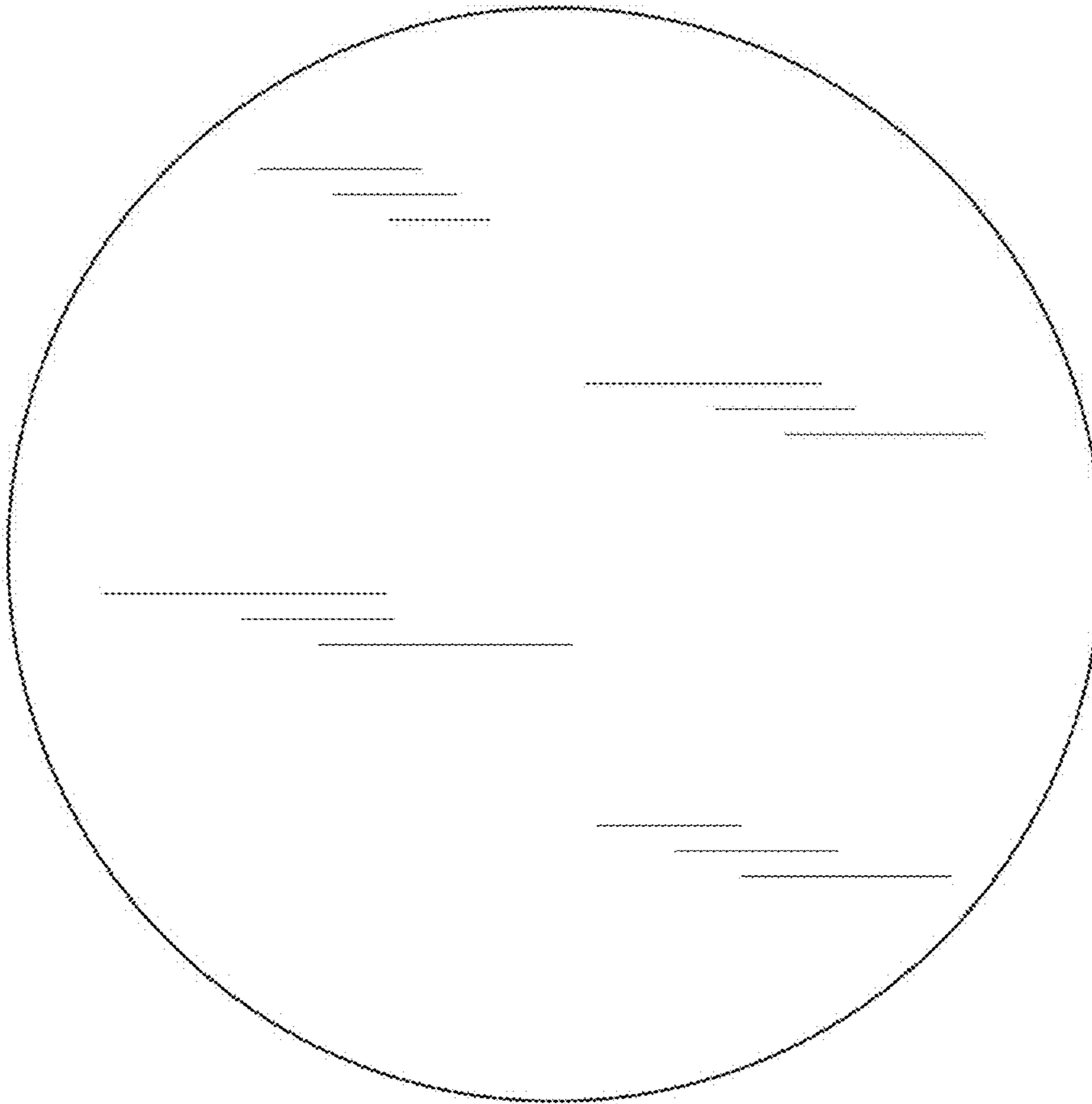


FIG. 6

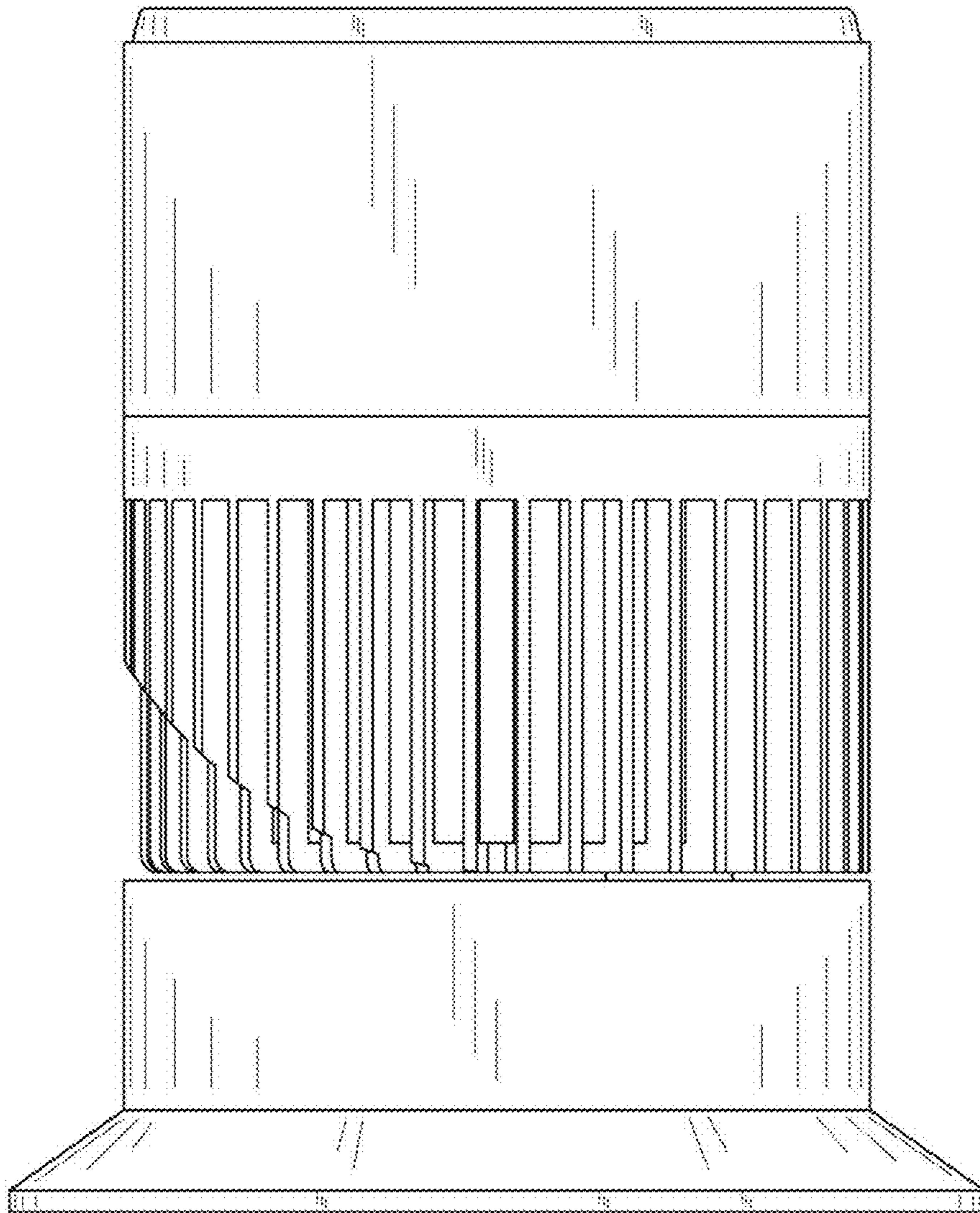




FIG. 7

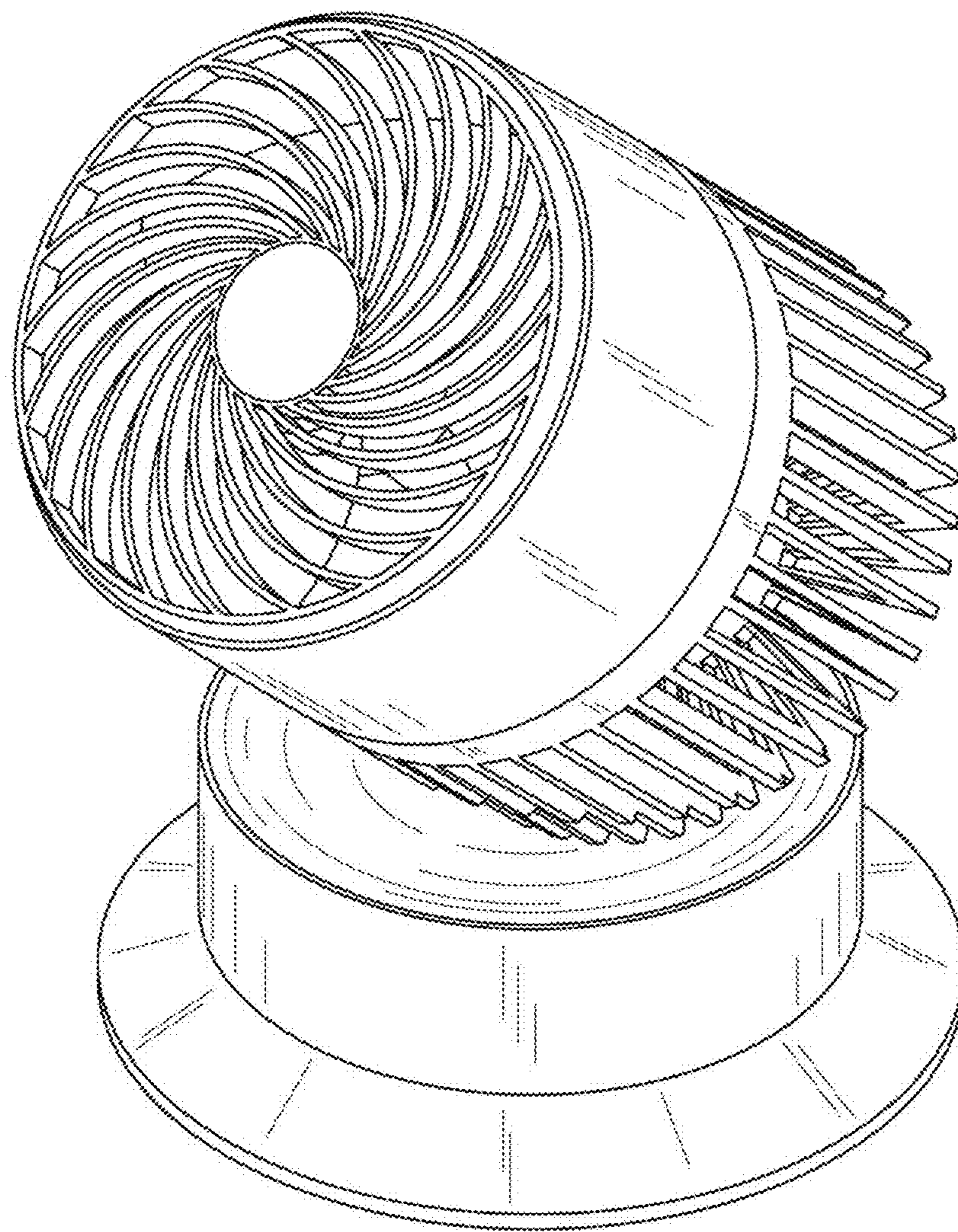


FIG. 8

