



US00D855786S

(12) **United States Design Patent** (10) **Patent No.:** **US D855,786 S**  
**Dandachli** (45) **Date of Patent:** **\*\* \*Aug. 6, 2019**

(54) **AIR FRESHENER**

(56) **References Cited**

(71) Applicant: **Boostnatics, LLC**, Austin, TX (US)

U.S. PATENT DOCUMENTS

(72) Inventor: **Youssef Dandachli**, Austin, TX (US)

4,306,521 A \* 12/1981 Giles ..... B01D 29/05  
123/41.15

(73) Assignee: **Boostnatics**, Austin, TX (US)

D289,680 S \* 5/1987 Heob ..... D23/386

(\*) Notice: This patent is subject to a terminal disclaimer.

D298,051 S \* 10/1988 Matheson ..... D15/5

D326,544 S \* 5/1992 Yamamoto ..... D32/15

5,447,630 A \* 9/1995 Rummler ..... B01D 21/0003

110/185

5,472,645 A \* 12/1995 Rock ..... B01F 5/0057

261/79.1

(\*\*) Term: **15 Years**

D368,269 S \* 3/1996 Chapman ..... D15/5

D380,534 S \* 7/1997 Chiu ..... D23/356

(21) Appl. No.: **29/588,648**

D409,737 S \* 5/1999 Nilsson ..... D23/332

D413,122 S \* 8/1999 Chapman ..... D15/5

(22) Filed: **Dec. 22, 2016**

6,156,090 A \* 12/2000 Ishikawa ..... F04D 29/30

416/144

(Continued)

**Related U.S. Application Data**

**OTHER PUBLICATIONS**

(63) Continuation-in-part of application No. 29/563,139, filed on May 2, 2016.

youtube.com, boostnatics spinning turbo air freshener, Dec. 6, 2016, <https://www.youtube.com/watch?v=UnUAUq7an5Q> (Year: 2016).\*

(51) **LOC (12) Cl.** ..... **28-99**

*Primary Examiner* — David G Muller

(52) **U.S. Cl.**

*Assistant Examiner* — Nathan M Johnston

USPC ..... **D23/366**

(74) *Attorney, Agent, or Firm* — Pierson IP, PLLC

(58) **Field of Classification Search**

(57) **CLAIM**

USPC ..... D23/355-369, 352, 332, 333, 335, 336, D23/342, 351; 422/120, 122; 55/356, 55/473, 504; 96/97; 261/DIG. 17, 261/DIG. 65, DIG. 88, DIG. 31, DIG. 42, 261/DIG. 47, DIG. 55, DIG. 70, DIG. 89; D28/5, 6; 392/394, 395; 239/34, 44, 53

The ornamental design for an air freshener, as shown and described.

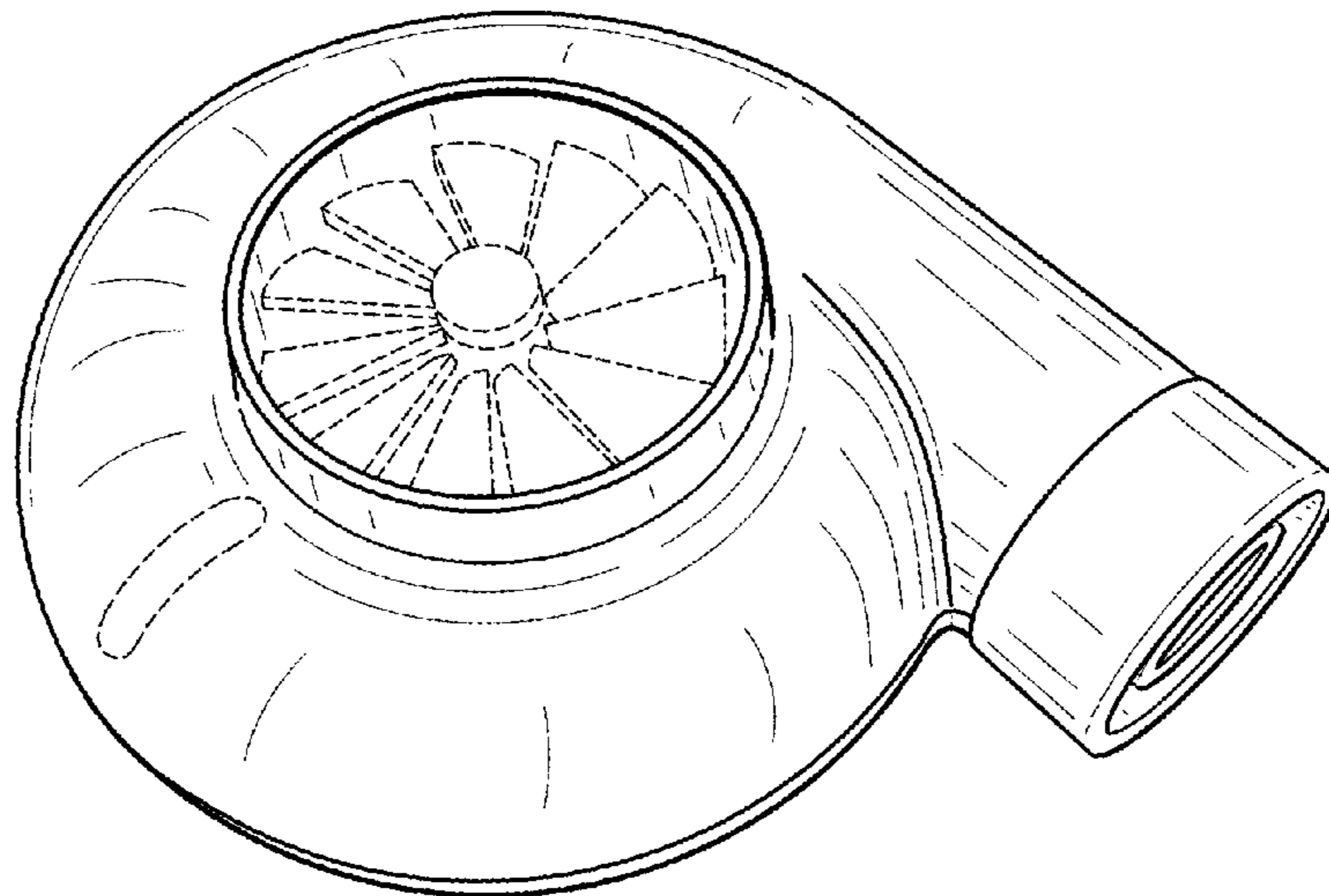
CPC ..... A61L 9/16; A61L 9/22; A61L 9/02; A61L 9/037; A61L 9/03; A61L 9/12; A61L 9/127; B01D 47/00; B01D 47/027; B01D 2221/02; B01D 2259/4508; B03C 3/155; B03C 3/368; F24F 3/16; F24F 3/20; F24F 13/28; F24F 2001/0096; F24F 3/1405; F24F 3/1603

**DESCRIPTION**

See application file for complete search history.

FIG. 1 is a perspective view of the air freshener showing my new design thereof;  
FIG. 2 is a front elevation view thereof;  
FIG. 3 is a rear elevation view thereof;  
FIG. 4 is a first side elevation view thereof;  
FIG. 5 is a second side elevation view thereof;  
FIG. 6 is a top plan view thereof; and,  
FIG. 7 is a bottom plan view thereof.  
Elements shown in broken lines show non-claimed elements of the air freshener and form no part of our design.

**1 Claim, 4 Drawing Sheets**



(56)

References Cited

U.S. PATENT DOCUMENTS

6,290,740 B1 \* 9/2001 Schaefer ..... B01D 46/02  
55/385.2  
6,669,556 B2 \* 12/2003 Gautney ..... F24F 5/0035  
454/256  
D521,983 S \* 5/2006 Kuo ..... D14/216  
D530,807 S \* 10/2006 Miyagishima ..... D23/365  
7,931,718 B2 \* 4/2011 Cheng ..... B01D 45/16  
55/345  
D642,254 S \* 7/2011 Mazzeo ..... D23/366  
D642,255 S \* 7/2011 Mazzeo ..... D23/366  
8,196,903 B2 \* 6/2012 Jorgensen ..... A61L 9/14  
239/102.1  
8,206,133 B2 \* 6/2012 Mudel ..... F01D 25/243  
417/406  
D692,551 S \* 10/2013 Wirz ..... D23/366  
D722,763 S \* 2/2015 Dandachli ..... D14/435.1  
D740,327 S \* 10/2015 Naruoka ..... D15/5

D751,283 S \* 3/2016 Dandachli ..... D14/435.1  
D751,685 S \* 3/2016 Wanezaki ..... D23/386  
D753,279 S \* 4/2016 Li ..... D23/366  
D762,833 S \* 8/2016 Ogg ..... D23/365  
D765,966 S \* 9/2016 Dandachli ..... D3/211  
D785,926 S \* 5/2017 Dandachli ..... D3/211  
D786,549 S \* 5/2017 Dandachli ..... D3/211  
D793,452 S \* 8/2017 Regnier ..... D15/5  
D807,024 S \* 1/2018 Dandachli ..... D3/211  
2015/0013371 A1 \* 1/2015 Cho ..... F24F 3/1405  
62/272  
2015/0020485 A1 \* 1/2015 Hong ..... F24F 13/20  
55/473  
2015/0086347 A1 \* 3/2015 Jinnai ..... F01D 9/026  
415/204  
2015/0159891 A1 \* 6/2015 Chan ..... F24F 7/007  
165/59  
2016/0271552 A1 \* 9/2016 Allison, III ..... B01D 47/10  
2017/0348628 A1 \* 12/2017 Hatfield ..... B01D 50/006

\* cited by examiner

FIG. 1

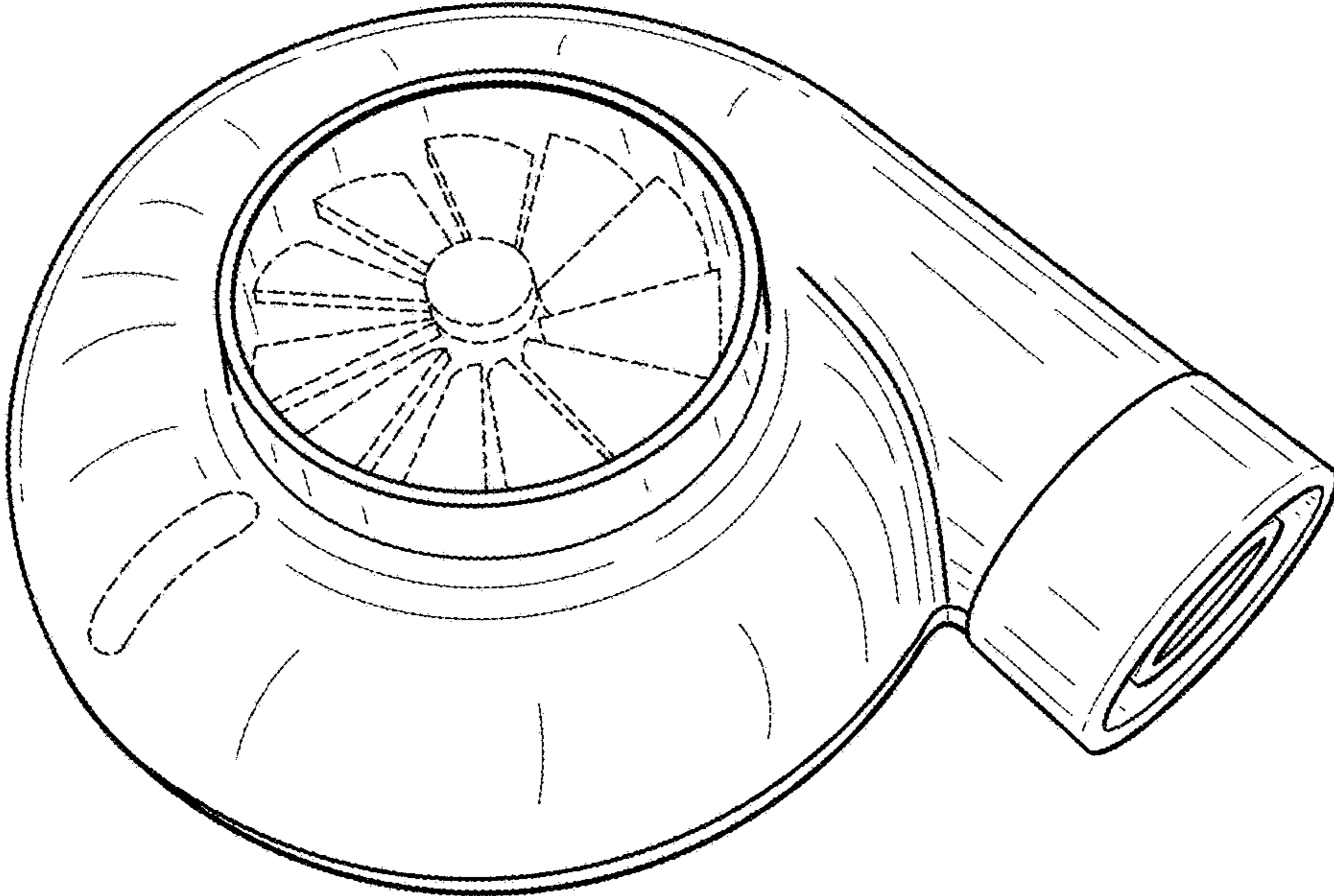


FIG. 2

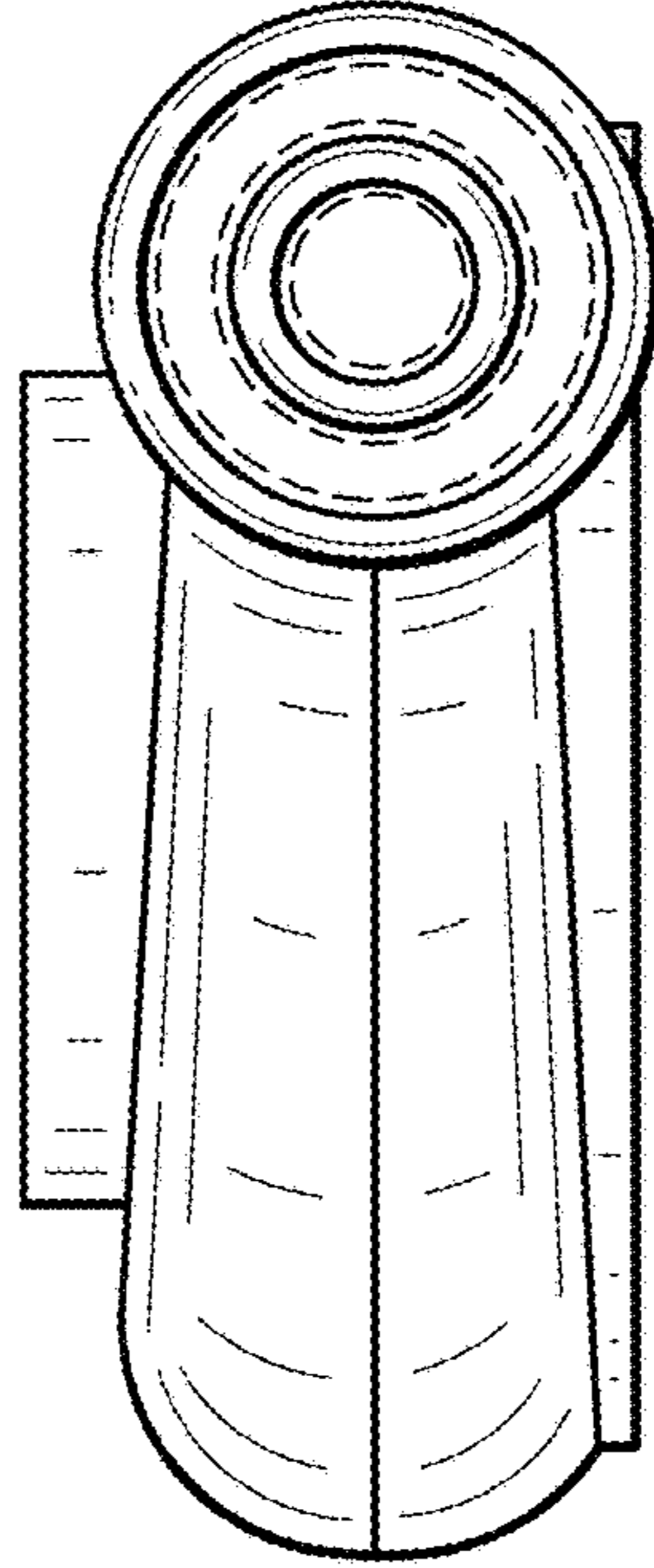


FIG. 3

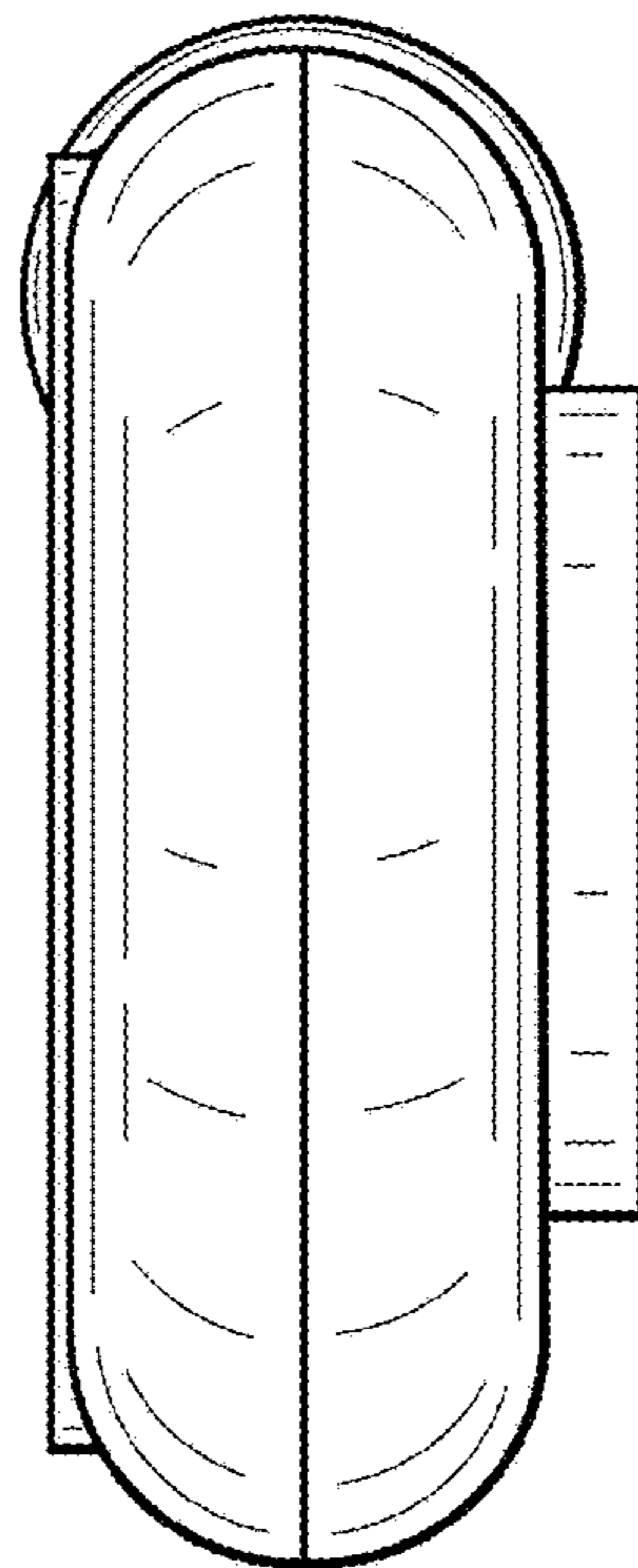


FIG. 4

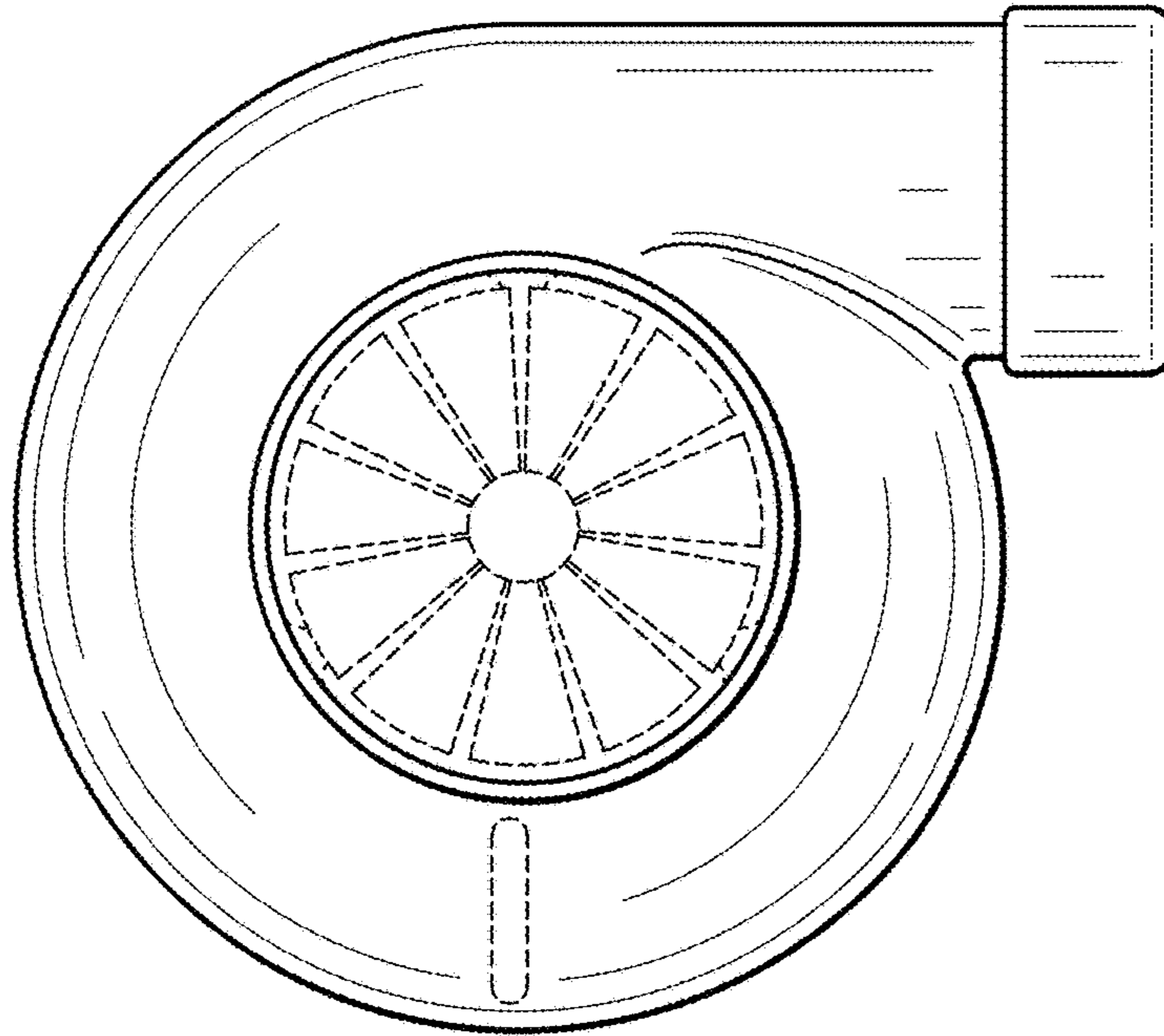


FIG. 5

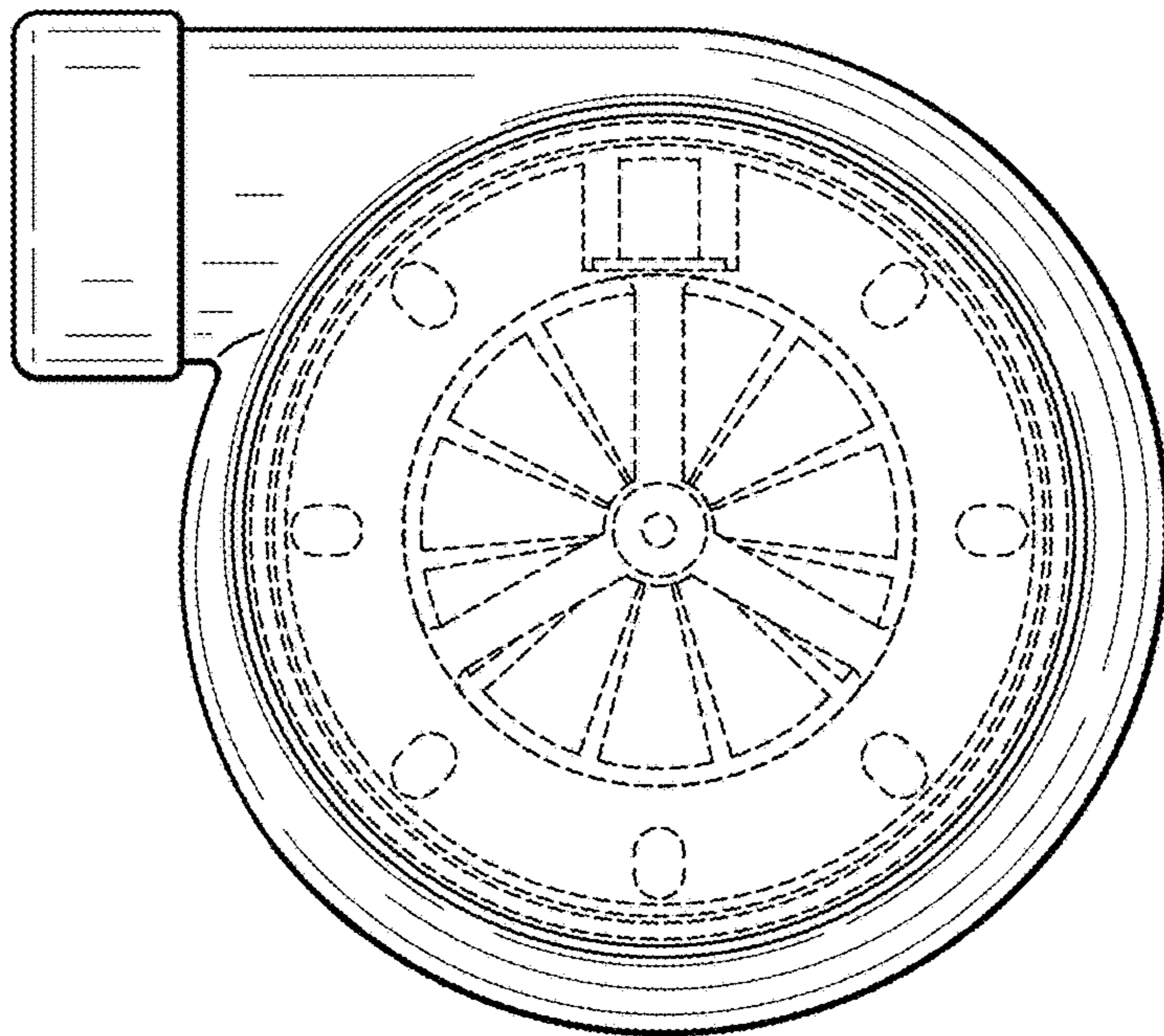


FIG. 6

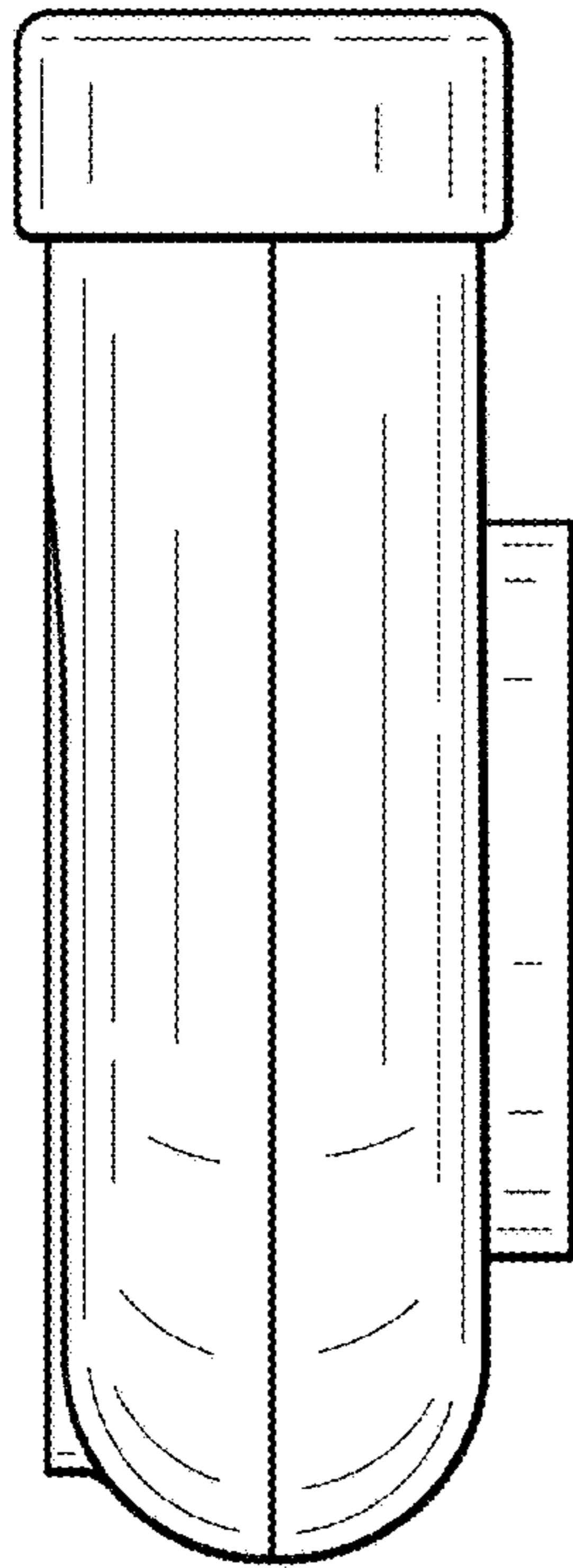


FIG. 7

