



US00D855785S

(12) **United States Design Patent**  
**Kim et al.**

(10) **Patent No.:** **US D855,785 S**

(45) **Date of Patent:** **\*\* Aug. 6, 2019**

(54) **PORTABLE AIR PURIFIER**

46/20; F02M 35/04; F24F 13/20; A62B  
21/00

(71) Applicant: **LG ELECTRONICS INC.**, Seoul  
(KR)

See application file for complete search history.

(72) Inventors: **Hojung Kim**, Seoul (KR); **Reaok Ko**,  
Seoul (KR); **Heeseung Lim**, Seoul  
(KR)

(56) **References Cited**

U.S. PATENT DOCUMENTS

(73) Assignee: **LG ELECTRONICS INC.**, Seoul  
(KR)

D274,837 S *	7/1984	Lynch .....	D23/364
D281,618 S *	12/1985	Grube .....	D23/364
D355,962 S *	2/1995	Chiu .....	D23/364
D362,296 S *	9/1995	Schmidt .....	D23/364
D381,741 S *	7/1997	Johnson .....	D23/364
D383,202 S *	9/1997	Meister .....	D23/364
D461,004 S *	7/2002	Searle .....	D23/365
D464,415 S *	10/2002	Saunders .....	D23/364
D551,330 S *	9/2007	Paterson .....	D23/364

(\*\*) Term: **15 Years**

(Continued)

(21) Appl. No.: **35/504,117**

*Primary Examiner* — Keli L Hill

(22) Filed: **Jun. 8, 2017**

(74) *Attorney, Agent, or Firm* — Birch, Stewart, Kolasch  
& Birch, LLP

(80) **Hague Agreement Data**

Int. Filing Date: **Jun. 8, 2017**

Int. Reg. No.: **DM/097745**

Int. Reg. Date: **Jun. 8, 2017**

Int. Reg. Pub. Date: **Dec. 8, 2017**

(57) **CLAIM**

The ornamental design for a portable air purifier, as shown  
and described.

(30) **Foreign Application Priority Data**

Dec. 8, 2016 (KR) ..... 30-2016-0059418

(51) **LOC (12) Cl.** ..... **23-04**

(52) **U.S. Cl.**

USPC ..... **D23/364**

(58) **Field of Classification Search**

USPC ..... D23/355, 356, 359, 364, 370, 386

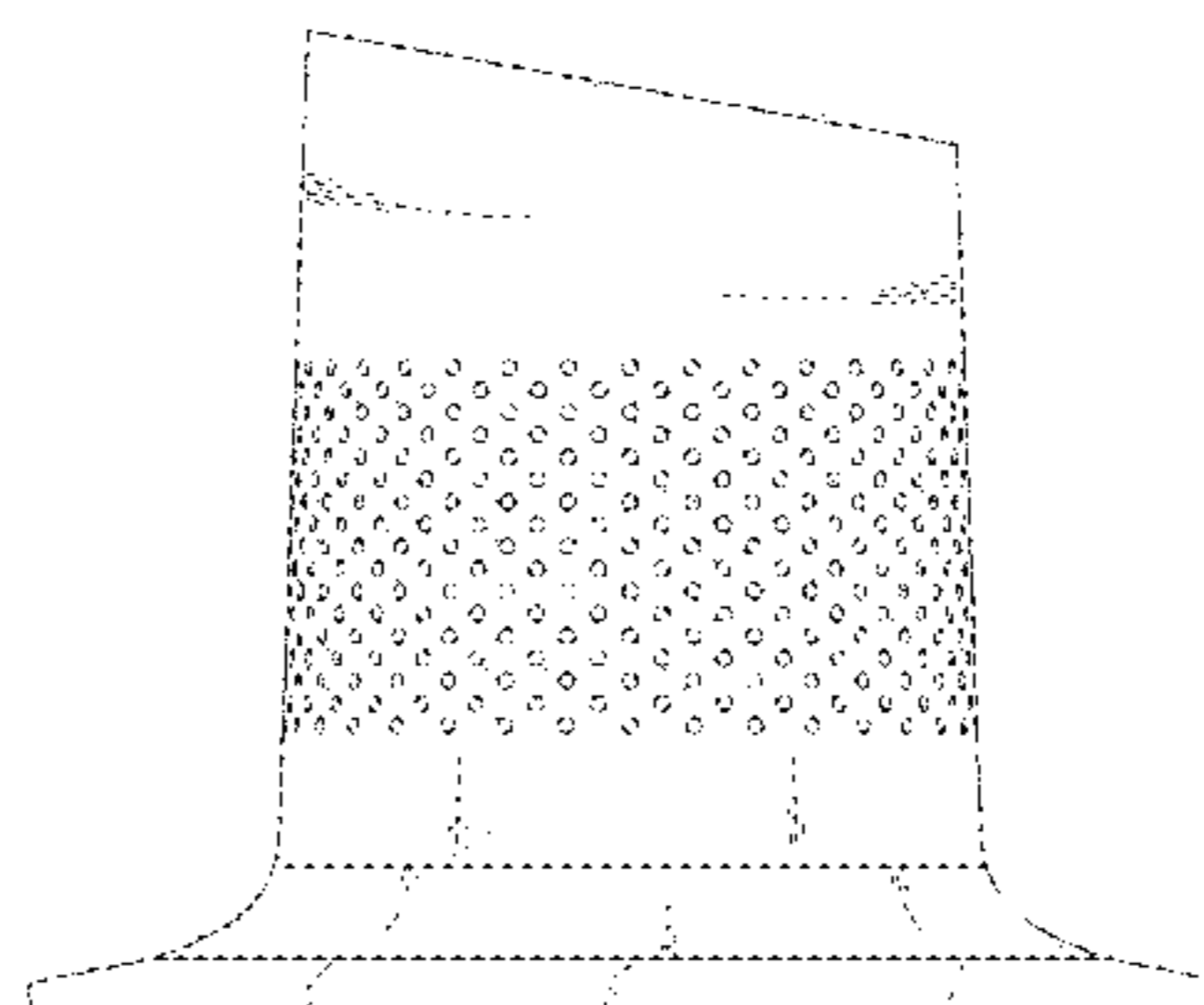
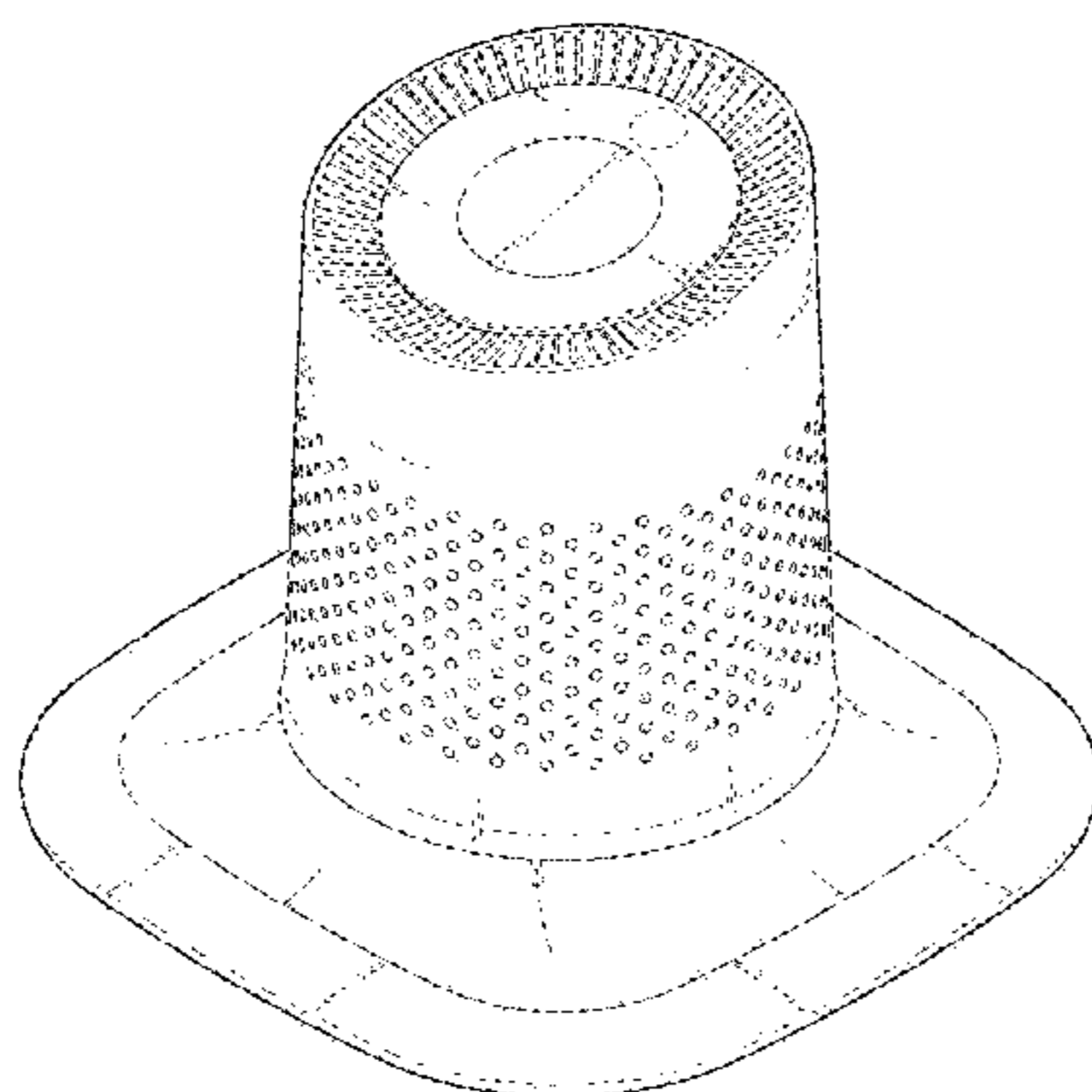
CPC ..... A61L 9/00; A61L 9/02; A61L 9/03; A61L  
9/034; A61L 9/04; A61L 9/12; A61L  
9/032; A61L 9/122; A61L 9/127; A61L  
9/22; B01D 46/00; B01D 46/0002; B01D

**DESCRIPTION**

- 1. Portable air purifier
- 1.1 : Perspective
- 1.2 : Front
- 1.3 : Back
- 1.4 : Left
- 1.5 : Top
- 1.6 : Bottom
- 1.7 : Exploded

The broken lines depict portions of the portable air purifier  
that form no part of the claimed design; reproduction 1.1 is  
a front perspective view of the portable air purifier; repro-  
duction 1.2 is a front view thereof; reproduction 1.3 is a back  
view thereof; reproduction 1.4 is a left view thereof where  
the right view is a mirror image; reproduction 1.5 is a top  
view thereof; reproduction 1.6 is a bottom view thereof;  
reproduction 1.7 is an exploded front view thereof; this is a  
design for a portable air purifier which can be attached to the

(Continued)



window, etc. by its suction plate at the bottom part; as you can see in reproduction 1.7, the main body of the air purifier can be detached and used separately from the suction plate at the bottom part.

**1 Claim, 7 Drawing Sheets**

(56)

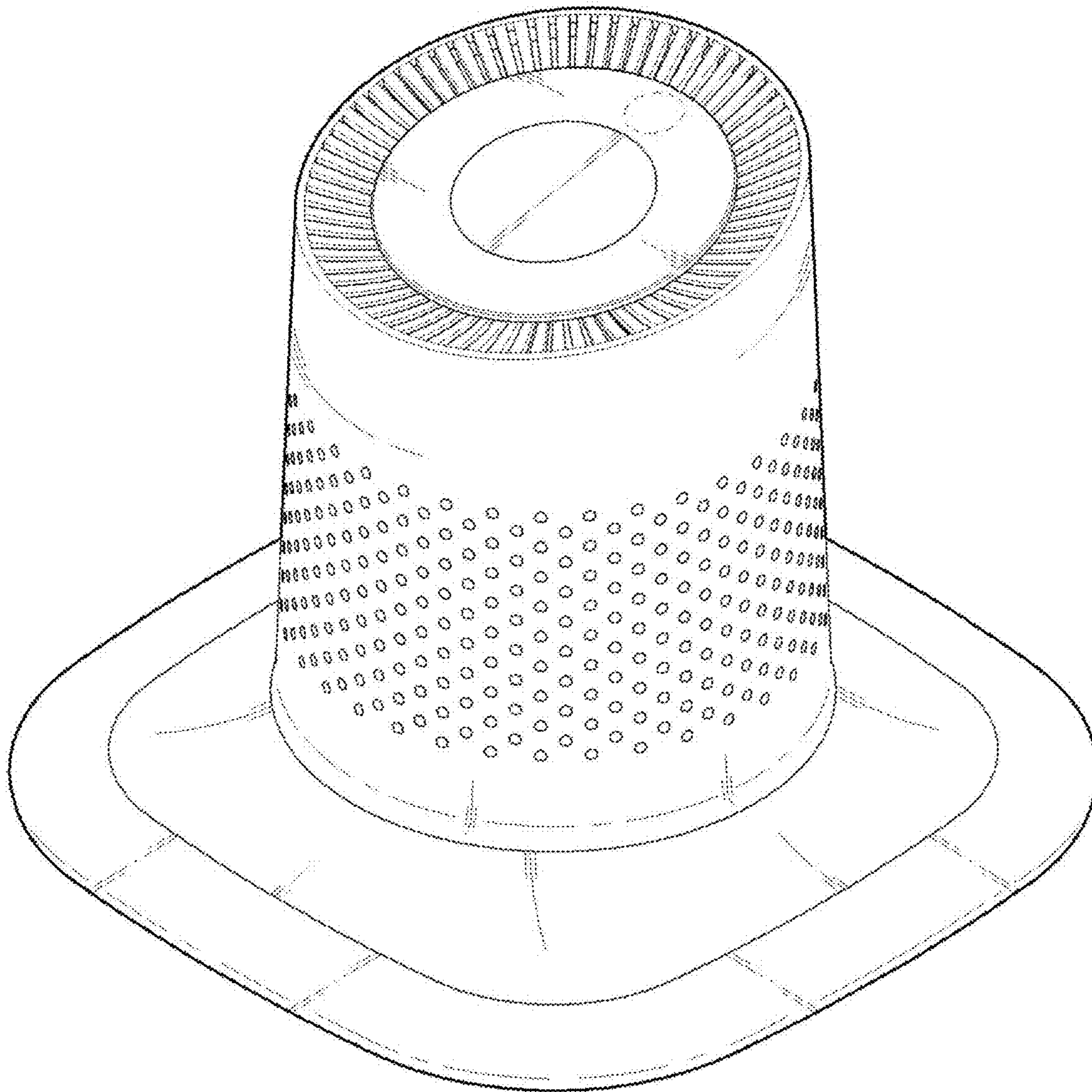
**References Cited**

U.S. PATENT DOCUMENTS

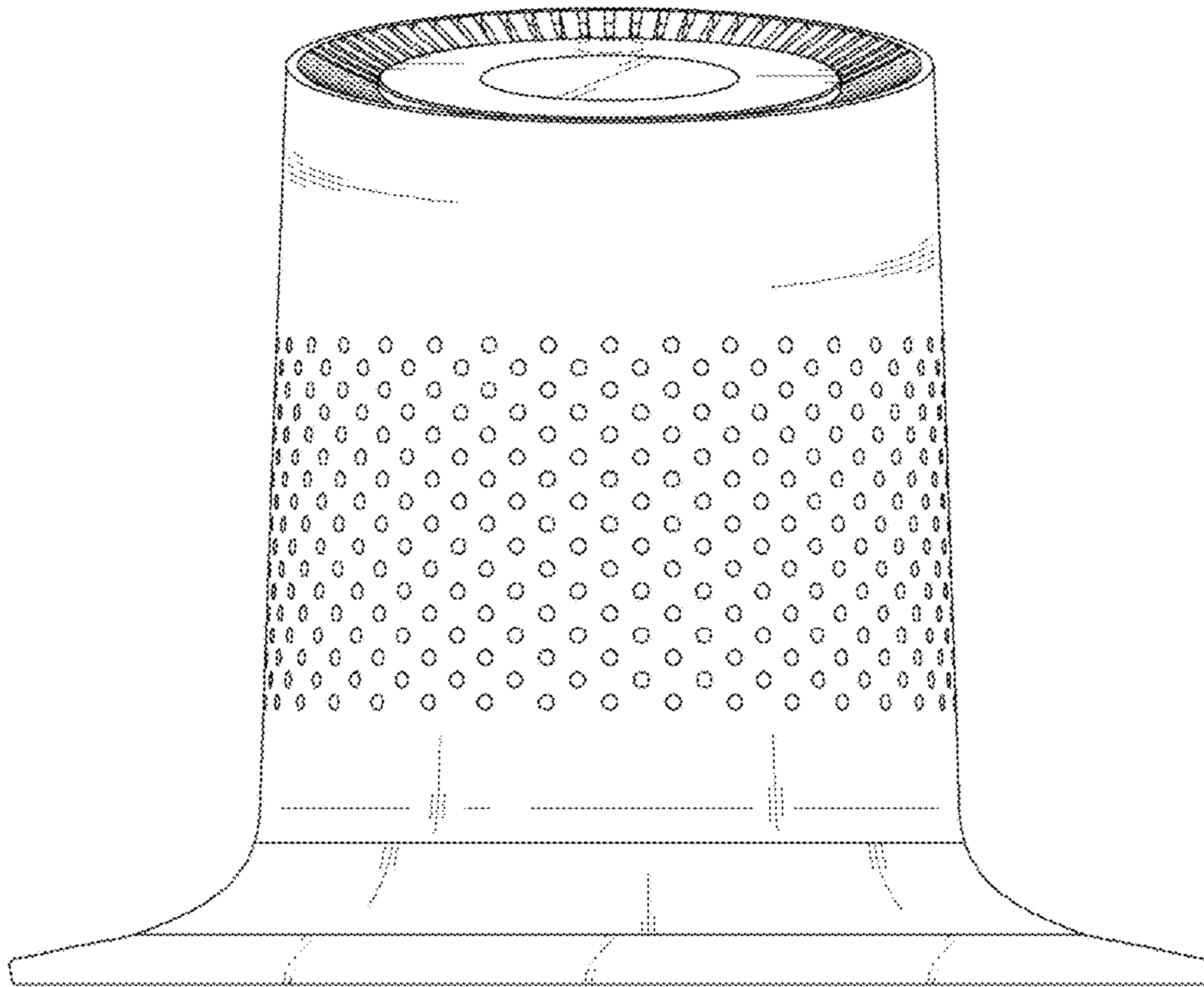
D818,095 S \* 5/2018 Cho ..... D23/364  
D831,810 S \* 10/2018 Cho ..... D23/364

\* cited by examiner

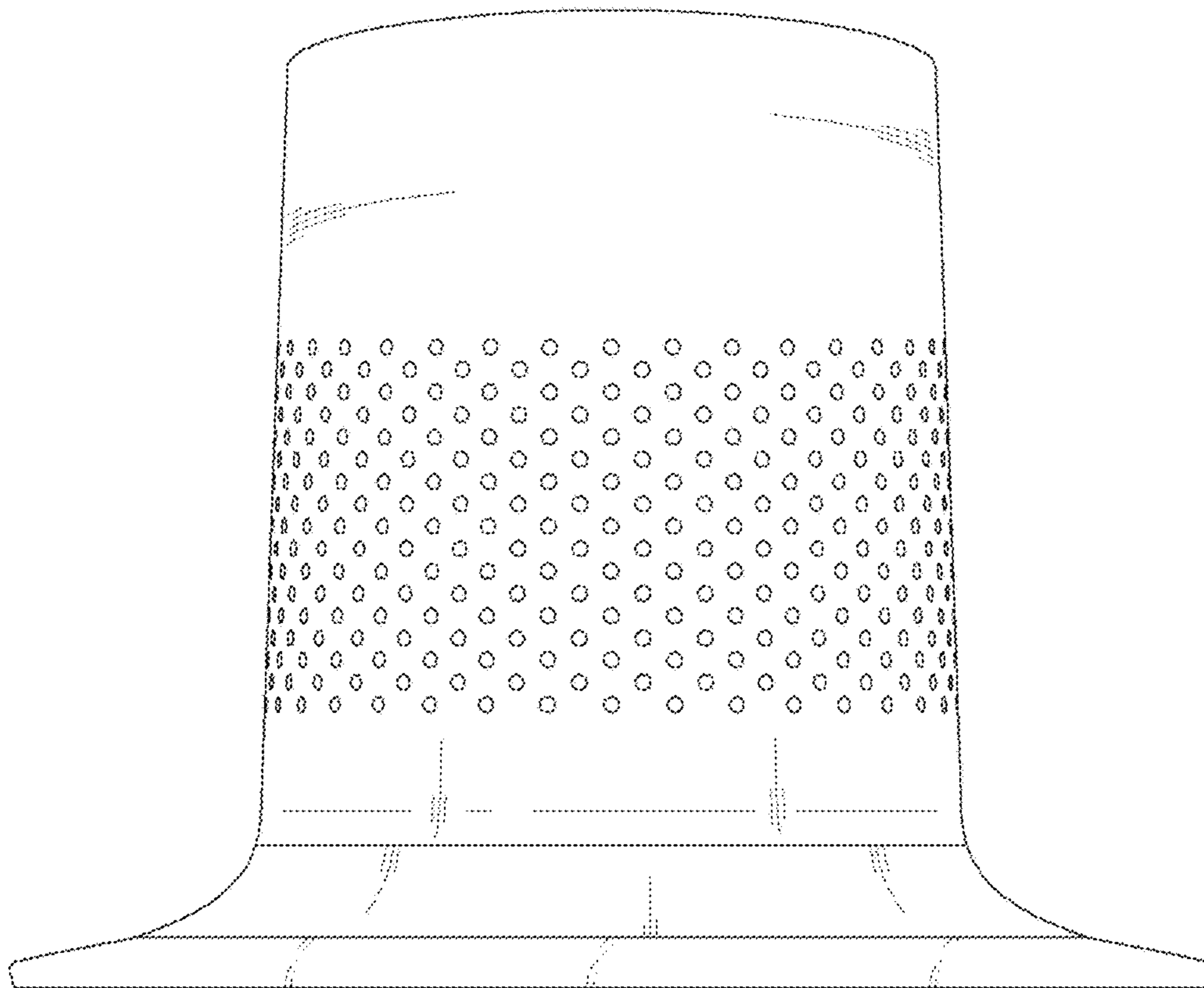
1.1



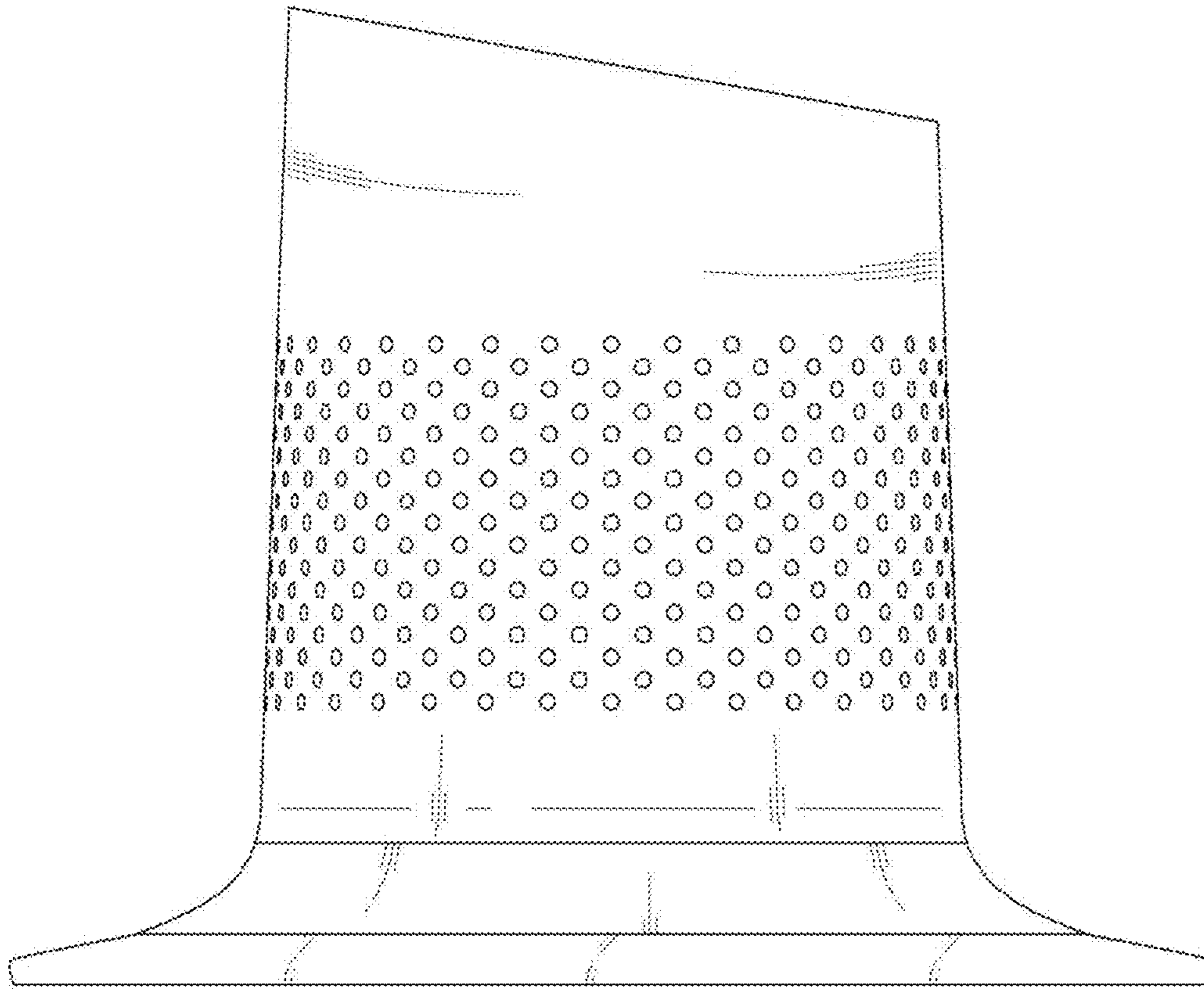
1.2



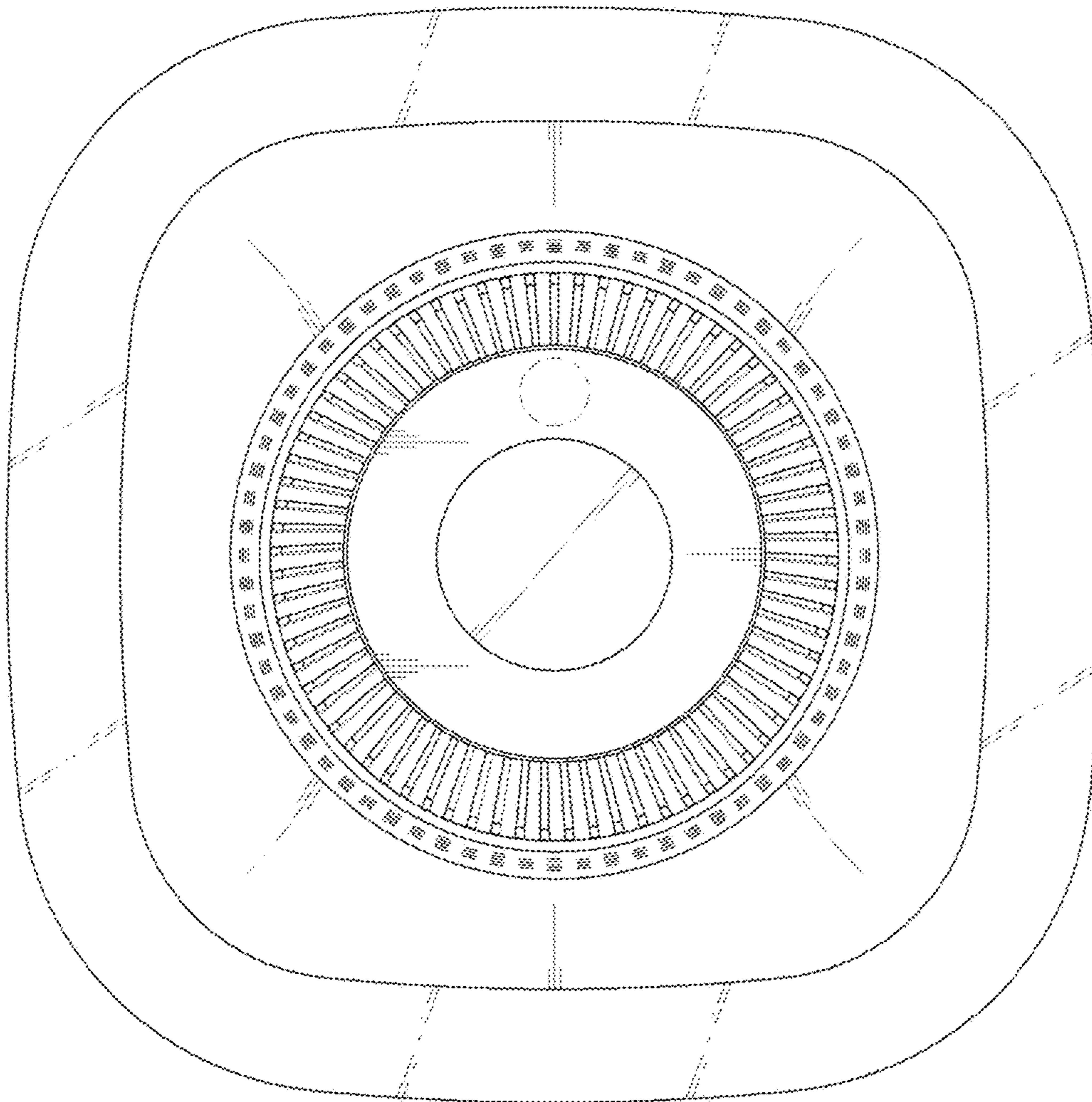
1.3



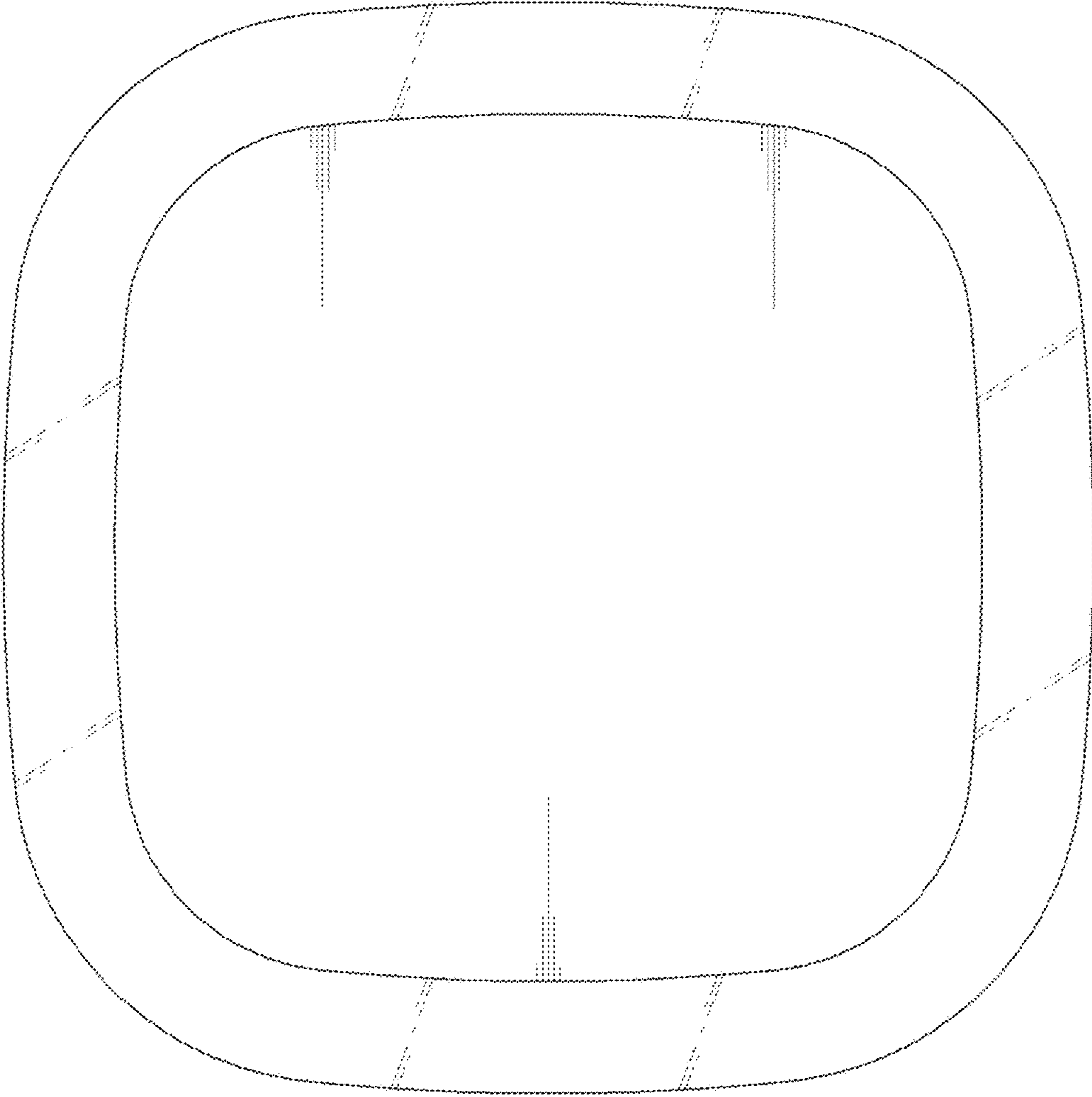
1.4



1.5



1.6





1.7

