



US00D855784S

(12) **United States Design Patent** (10) **Patent No.:** **US D855,784 S**
Seo et al. (45) **Date of Patent:** **** Aug. 6, 2019**

(54) **WATER TANK FOR HUMIDIFIER**
(71) Applicant: **MIRO CO. LTD.**, Incheon (KR)
(72) Inventors: **Dong Jin Seo**, Incheon (KR); **Yong Ju Oh**, Incheon (KR); **Min Seok Kim**, Incheon (KR); **Jeong Won Lee**, Incheon (KR)
(73) Assignee: **MIRO CO. LTD.**, Incheon (KR)
(**) Term: **15 Years**

D179,194 S * 11/1956 Flury D23/362
D575,912 S * 8/2008 Mangano D32/1
D598,527 S * 8/2009 Fitsch D23/356
D627,650 S * 11/2010 Yeung D28/9
D664,853 S * 8/2012 Kipry D28/73
D665,893 S * 8/2012 Li D23/366
D692,547 S * 10/2013 Wirz D23/366
D692,551 S * 10/2013 Wirz D23/366
D698,429 S * 1/2014 Jorgensen D23/366
D698,909 S * 2/2014 Chou D23/366
D698,910 S * 2/2014 Lin D23/366
D706,915 S * 6/2014 Suzuki D23/366
D720,063 S * 12/2014 Li D23/366
D724,714 S * 3/2015 Benson D23/332

(Continued)

(21) Appl. No.: **29/639,229**
(22) Filed: **Mar. 5, 2018**

FOREIGN PATENT DOCUMENTS

KR 30-0866512 S 9/2016

Primary Examiner — David G Muller

Assistant Examiner — Nathan M Johnston

(74) *Attorney, Agent, or Firm* — Novick, Kim & Lee, PLLC; Sang Ho Lee

(30) **Foreign Application Priority Data**
Sep. 4, 2017 (KR) 30-2017-0041186
(51) **LOC (12) Cl.** **23-02**
(52) **U.S. Cl.**
USPC **D23/358**
(58) **Field of Classification Search**
USPC D23/355–366, 352, 369, 332, 333, 335, D23/336, 342, 351; 422/120, 122; 55/356, 473, 504; 96/97; D14/188, 170, D14/172; 261/DIG. 17, DIG. 65, 261/DIG. 88, DIG. 31
CPC A61L 9/22; B01D 47/00; B01D 47/027; B01D 2221/02; B01D 2259/4508; B03C 3/155; B03C 3/368; F24F 3/16; F24F 13/20; F24F 13/28; F24F 2001/0096; F24F 3/1405; F24F 3/1603; F24F 13/222
See application file for complete search history.

(57) **CLAIM**

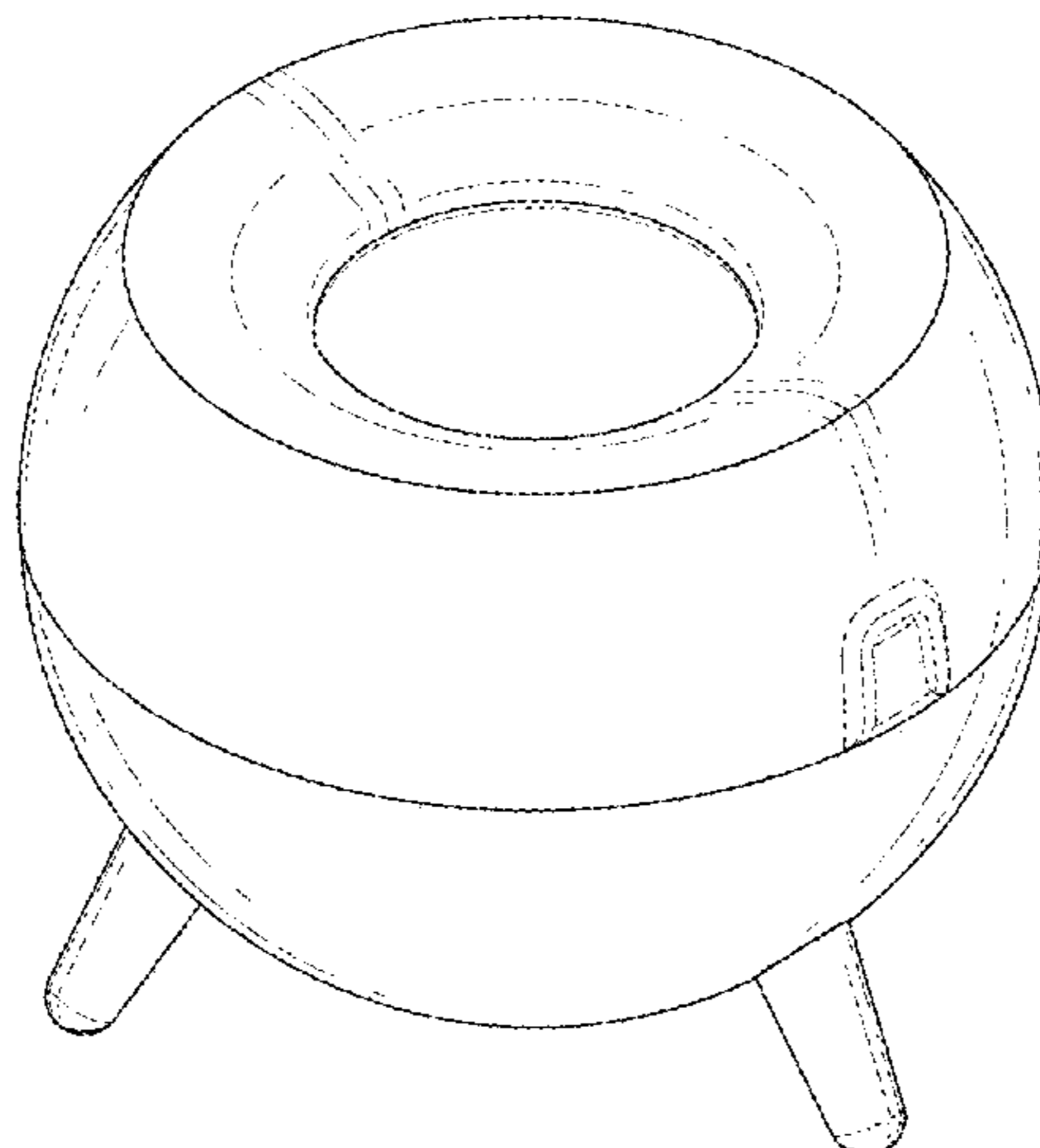
We claim the ornamental design for a water tank for humidifier, as shown and described.

DESCRIPTION

FIG. 1 is a perspective view of a water tank for humidifier, showing our new design;
FIG. 2 is a front elevational view thereof;
FIG. 3 is a rear elevational view thereof;
FIG. 4 is a left side elevational view thereof;
FIG. 5 is a right side elevational view thereof;
FIG. 6 is a top plan view thereof; and,
FIG. 7 is a bottom plan view thereof.
The dash-dash broken lines in the drawings show portions of the water tank for humidifier which form no part of the claimed design. The dot-dash broken line(s) define the bounds of the claimed design and form no part thereof.

(56) **References Cited**
U.S. PATENT DOCUMENTS
D157,798 S * 3/1950 Slatkin D22/120
2,642,310 A * 6/1953 Meek A61L 9/12
131/231

1 Claim, 7 Drawing Sheets



(56)

References Cited

U.S. PATENT DOCUMENTS

D729,370 S *	5/2015	Chou	D23/366
D729,923 S *	5/2015	Chou	D23/366
D729,924 S *	5/2015	Hsiao	D23/366
D732,653 S *	6/2015	Hsiao	D23/366
D732,654 S *	6/2015	Hsiao	D23/366
D733,859 S *	7/2015	Hsiao	D23/366
D753,279 S *	4/2016	Li	D23/366
D772,391 S *	11/2016	Zimmerli	D23/366
D800,285 S *	10/2017	Seo	D23/358
D813,366 S *	3/2018	Tang	D23/366

* cited by examiner

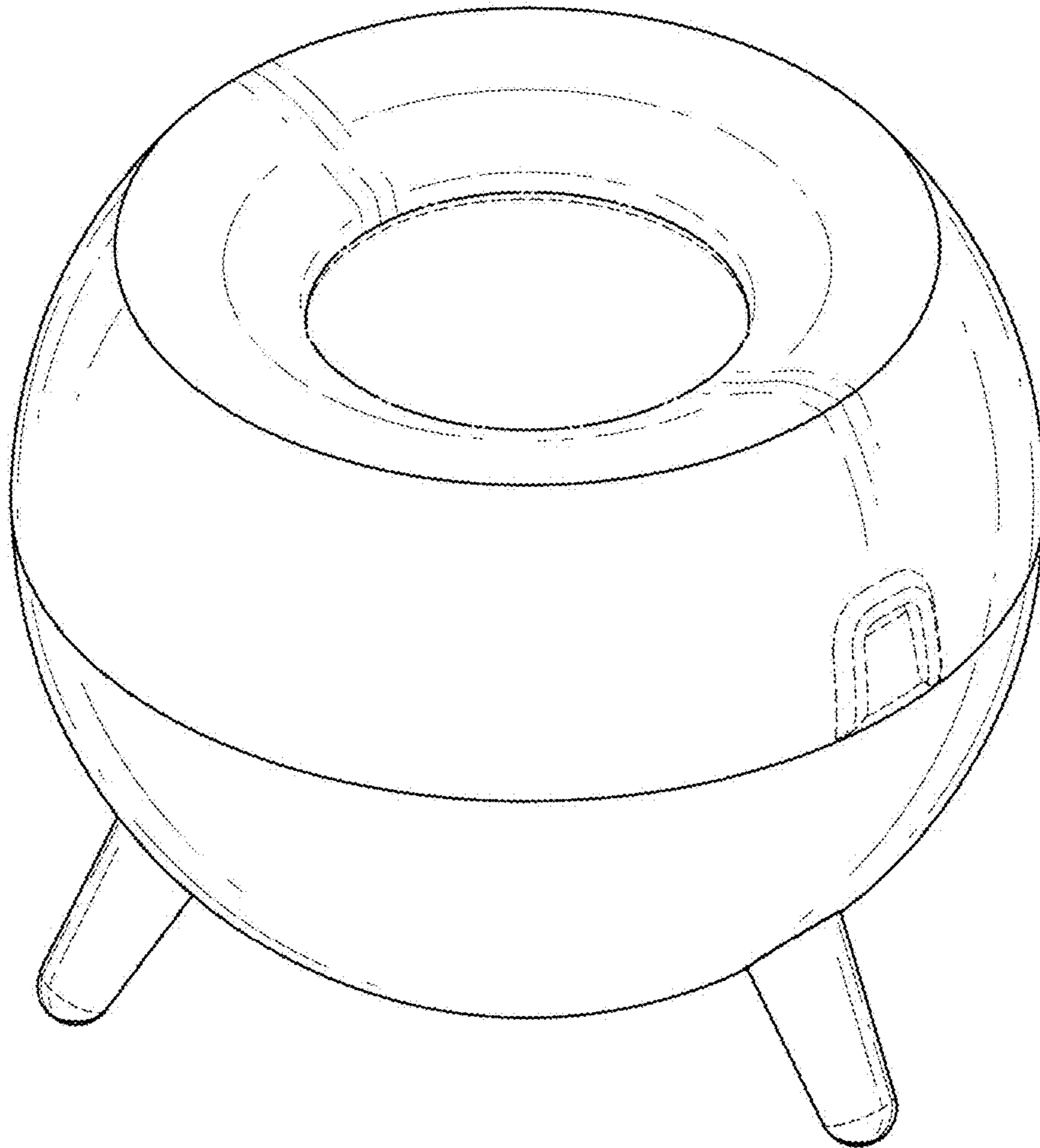


FIG. 1

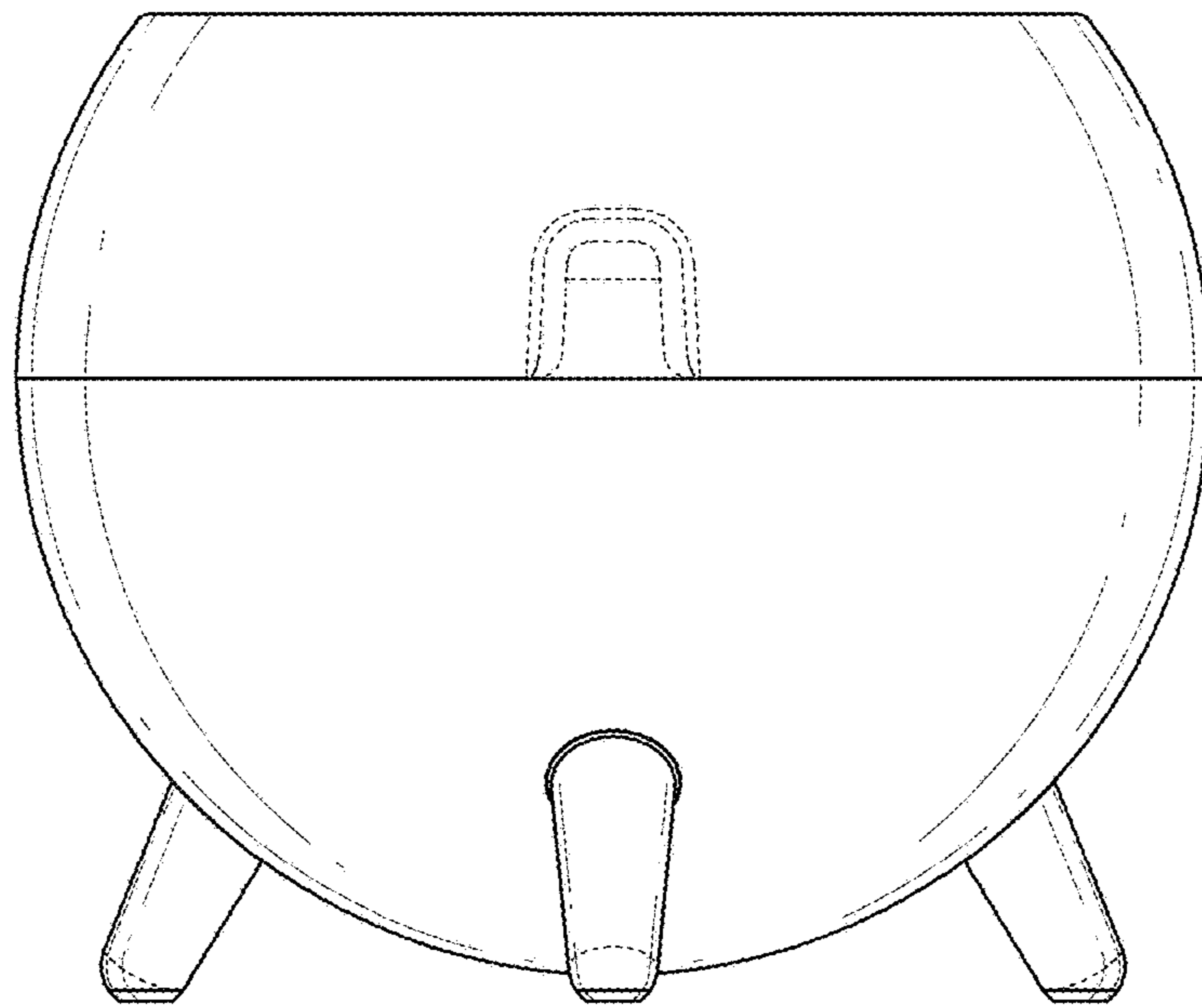


FIG. 2

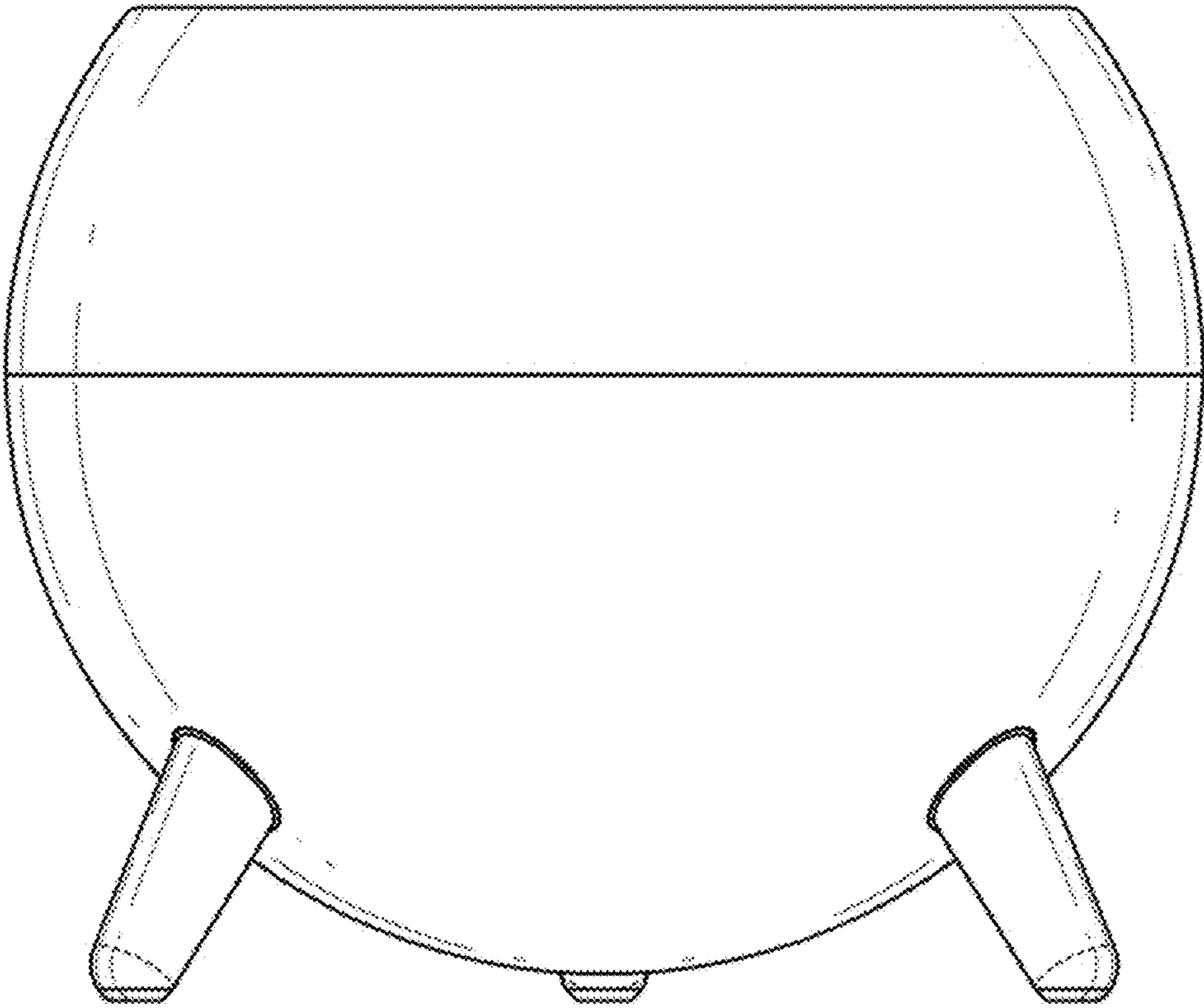


FIG. 3

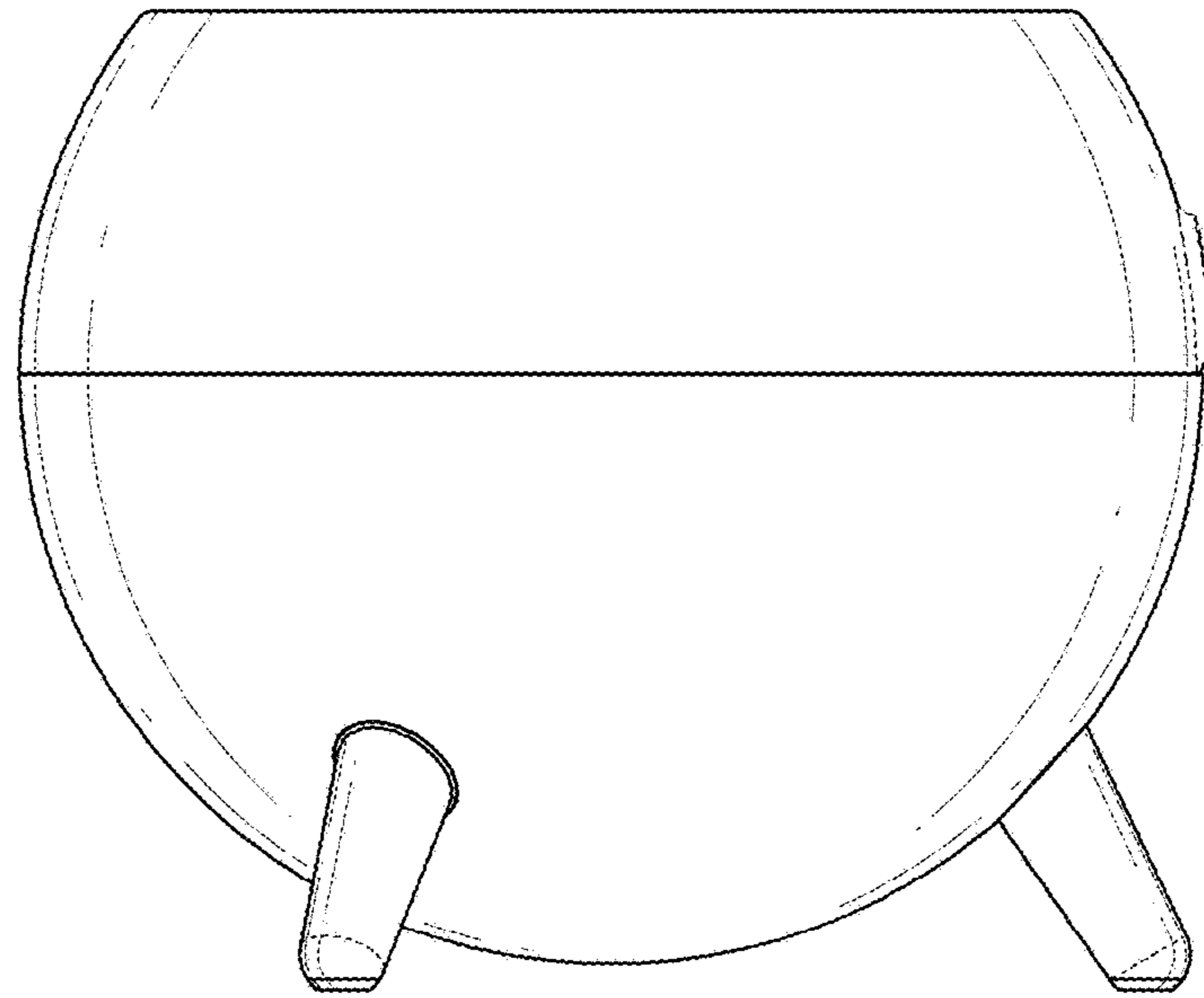


FIG. 4

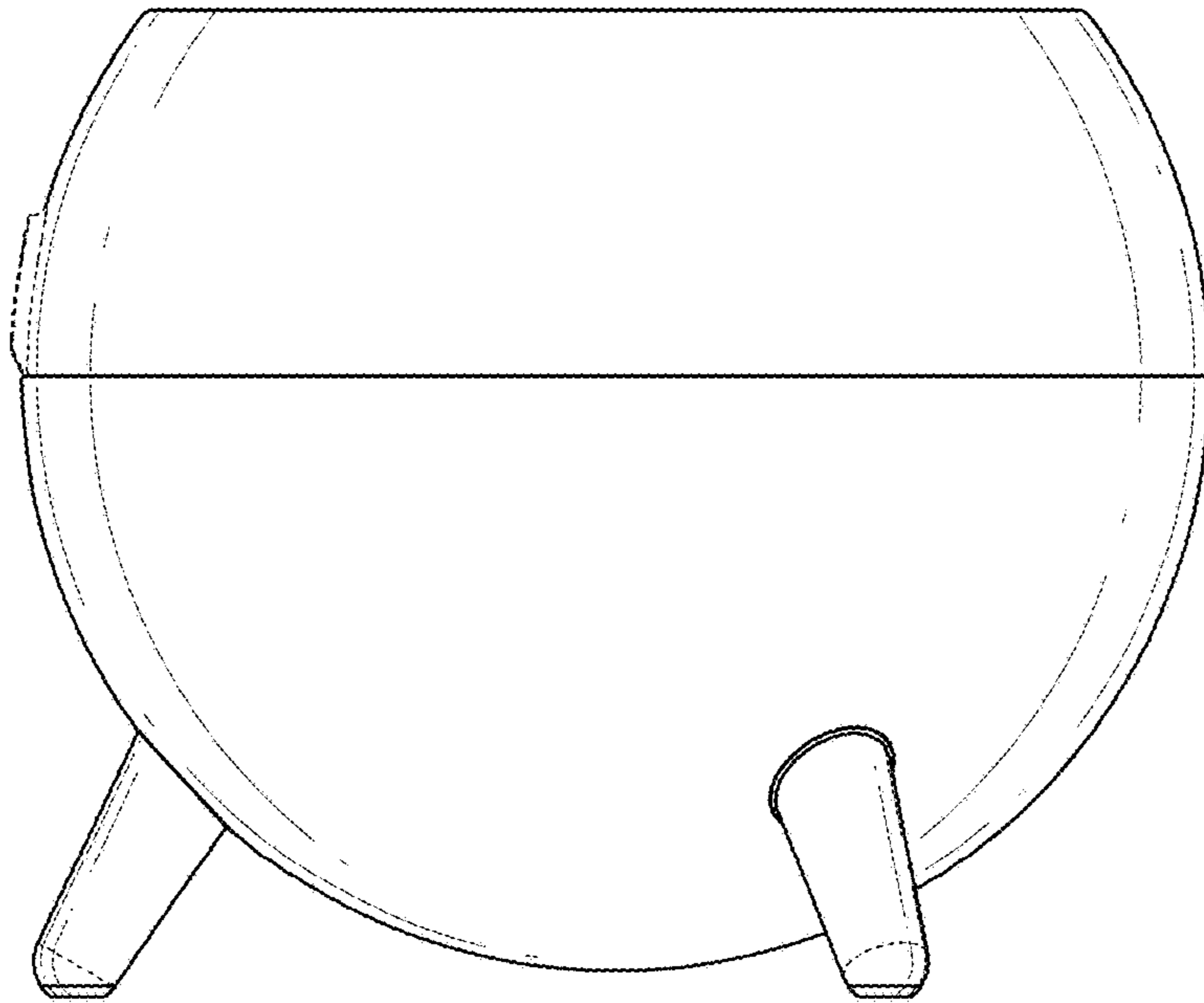


FIG. 5

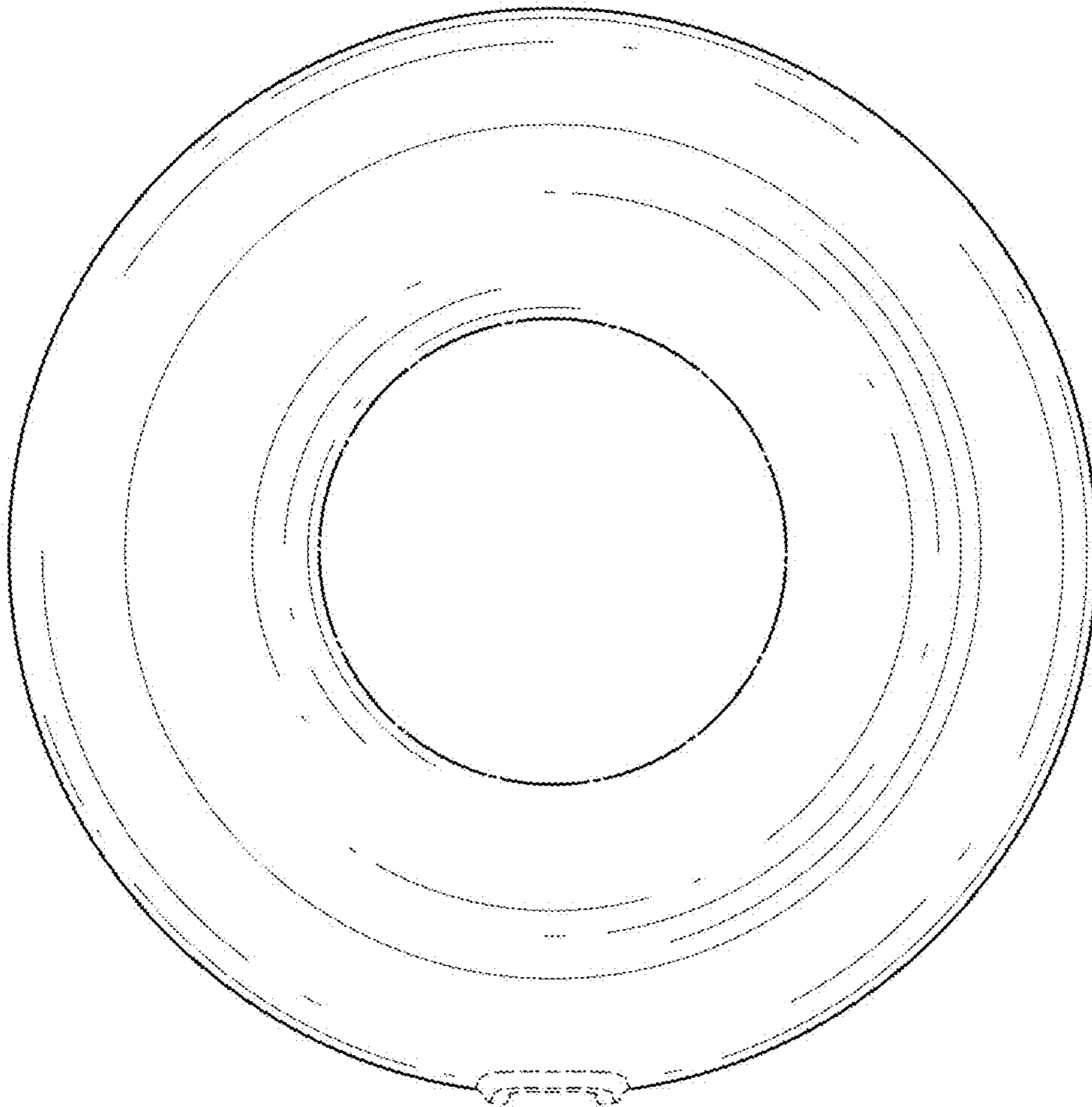


FIG. 6

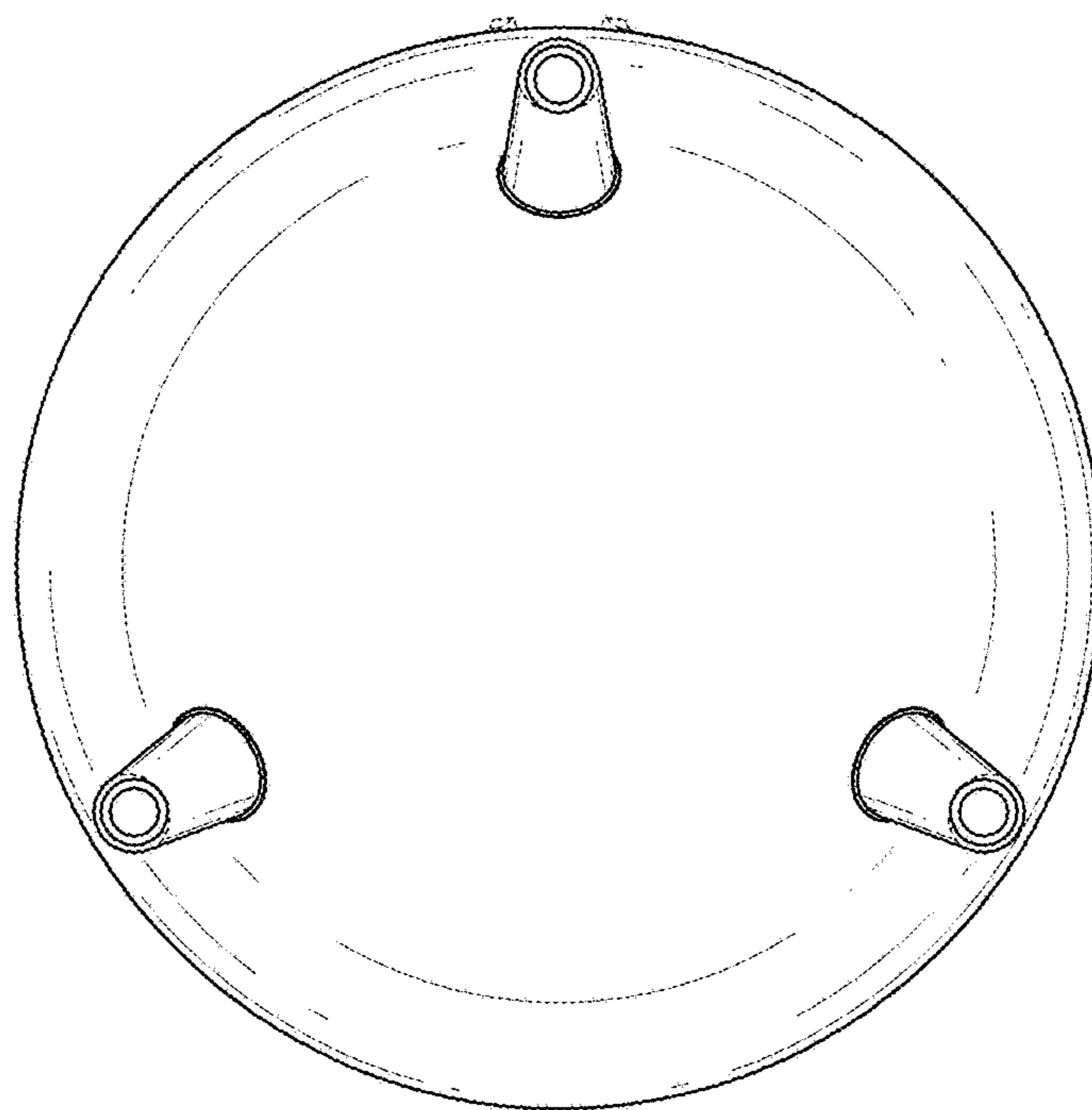


FIG. 7