



US00D855780S

(12) **United States Design Patent** (10) **Patent No.:** **US D855,780 S**
McKeone (45) **Date of Patent:** **** Aug. 6, 2019**

- (54) **FAUCET**
- (71) Applicant: **Kohler Co.**, Kohler, WI (US)
- (72) Inventor: **William C. McKeone**, Sheboygan, WI (US)
- (73) Assignee: **KOHLER CO.**, Kohler, WI (US)
- (**) Term: **15 Years**
- (21) Appl. No.: **29/684,441**
- (22) Filed: **Mar. 21, 2019**

- D304,225 S 10/1989 Lathrop
- D516,185 S 2/2006 Hanna
- D665,881 S 8/2012 Flowers
- D705,639 S 5/2014 Kaishian
- D737,941 S 9/2015 Eads
- D759,212 S 6/2016 Eads
- D810,243 S 2/2018 Schoenherr

Primary Examiner — Robert A Delehanty
(74) *Attorney, Agent, or Firm* — Foley & Lardner LLP

(57) **CLAIM**

I claim the ornamental design for a faucet, as shown and described.

DESCRIPTION

FIG. 1 is a perspective view of the claimed design;
 FIG. 2 is a front view of the claimed design;
 FIG. 3 is a rear view of the claimed design;
 FIG. 4 is a top view of the claimed design;
 FIG. 5 is a bottom view of the claimed design;
 FIG. 6 is a side view of the claimed design; and,
 FIG. 7 is another side view of the claimed design.

The ornamental design that is claimed is shown in the drawings as solid lines and surfaces having surface shading. The broken lines in the drawings are for illustrative purposes only and form no part of the claimed design. For example, broken lines formed by equal length dashes show unclaimed portions of the design. Broken lines formed of unequal length dashes (i.e., dash-dot) show boundaries between either claimed and unclaimed portions of the design or between unclaimed and unclaimed portions of the design. Broken away symbols having a jagged element show that unspecified length of the portion is possible. The appearance of any portion of the article between the broken away symbols forms no part of the claimed design.

Related U.S. Application Data

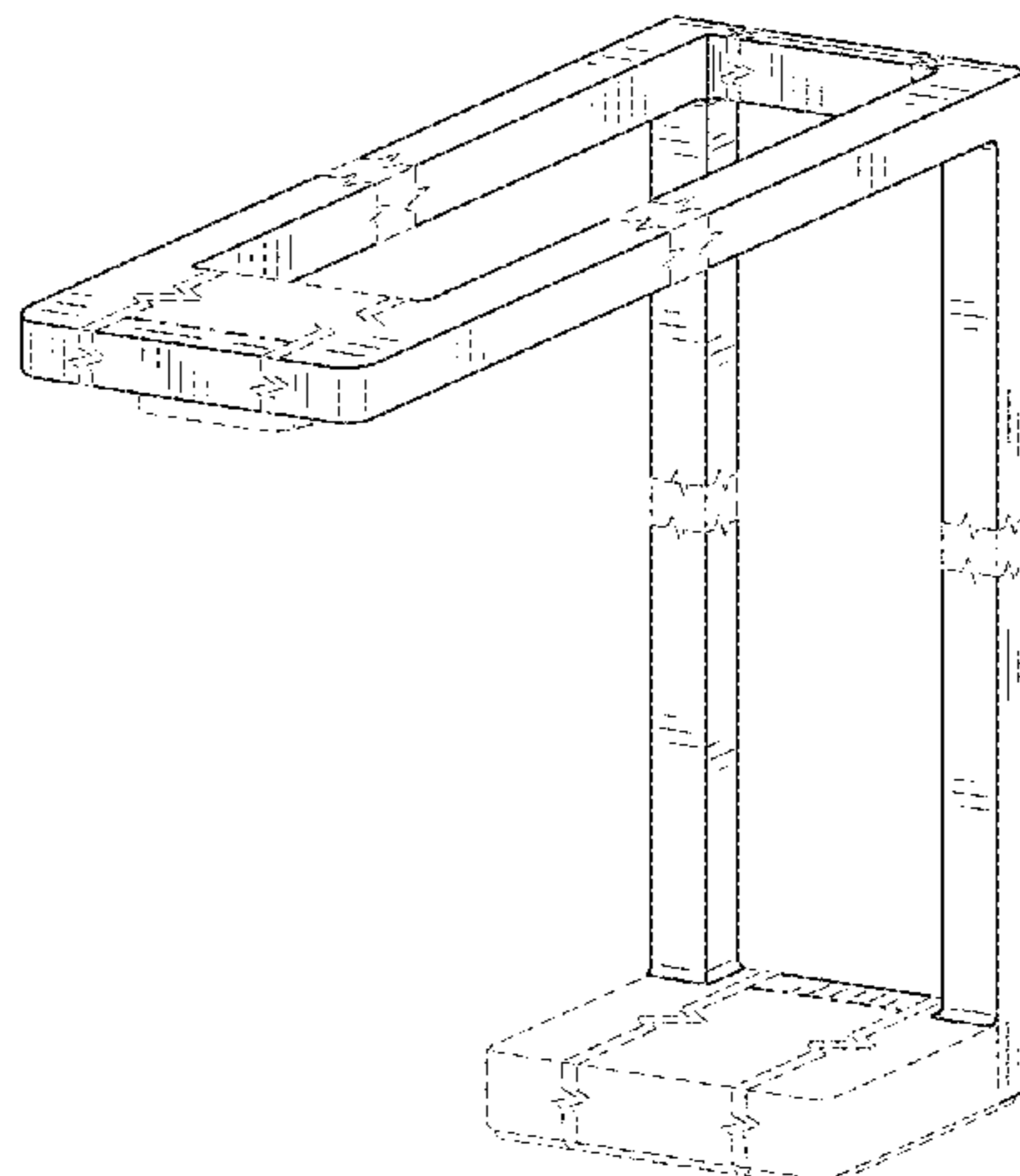
- (62) Division of application No. 29/630,498, filed on Dec. 21, 2017.
- (51) **LOC (12) Cl.** **23-01**
- (52) **U.S. Cl.**
USPC **D23/255**
- (58) **Field of Classification Search**
USPC D23/238–243, 249–250, 252, 254–255,
D23/257, 213, 223, 226, 229; D8/300,
D8/307–308
CPC ... Y10T 137/9464; E03C 1/04; E03C 1/0401;
E03C 1/0402; E03C 1/0404; E03C
1/0405; E03C 1/0412; E03C 1/0413;
E03C 1/0409; E03C 1/042
See application file for complete search history.

(56) **References Cited**

U.S. PATENT DOCUMENTS

- 3,726,318 A 4/1973 Hyde
- D294,631 S 3/1988 Bourbon

1 Claim, 5 Drawing Sheets



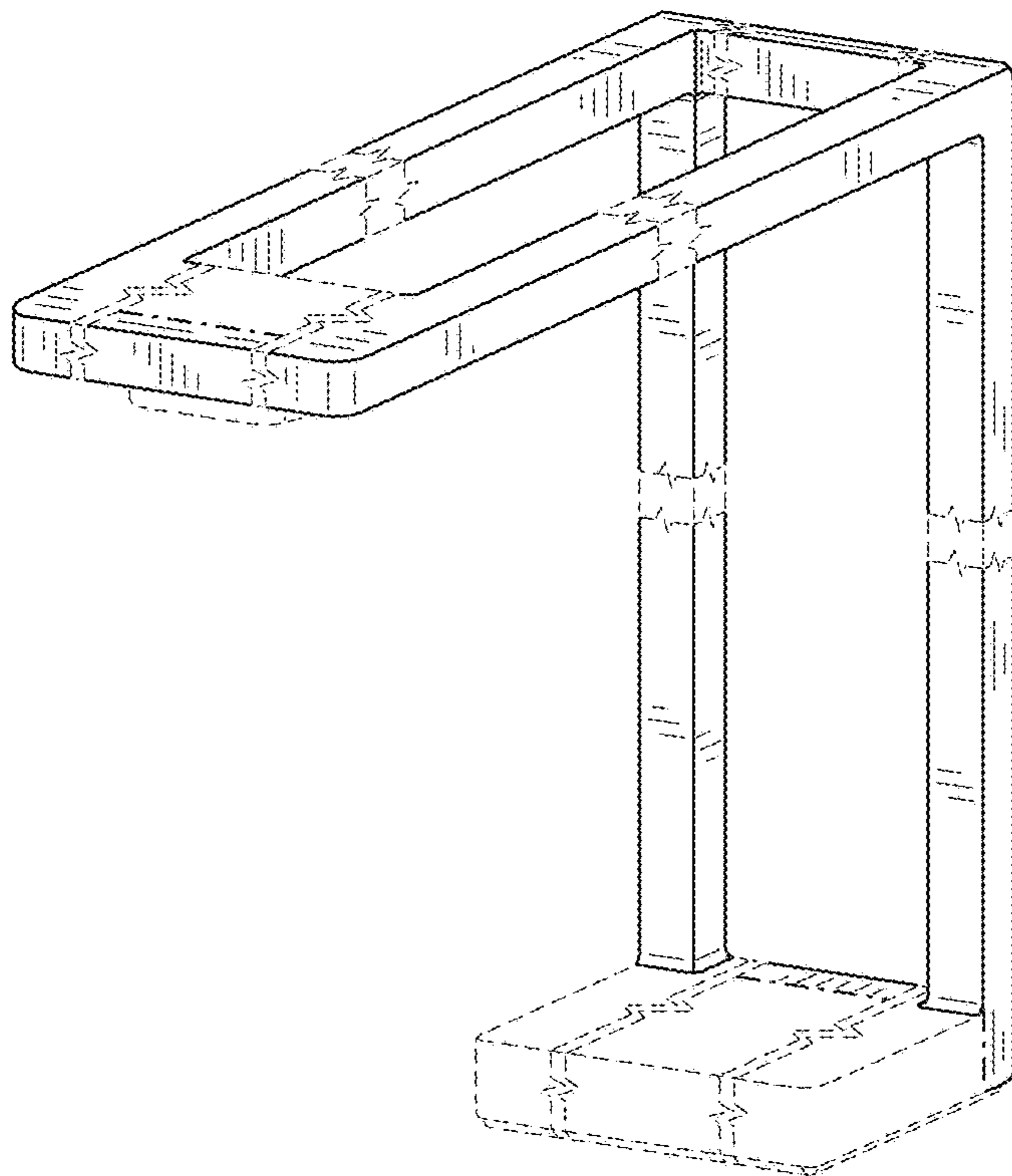


FIG. 1

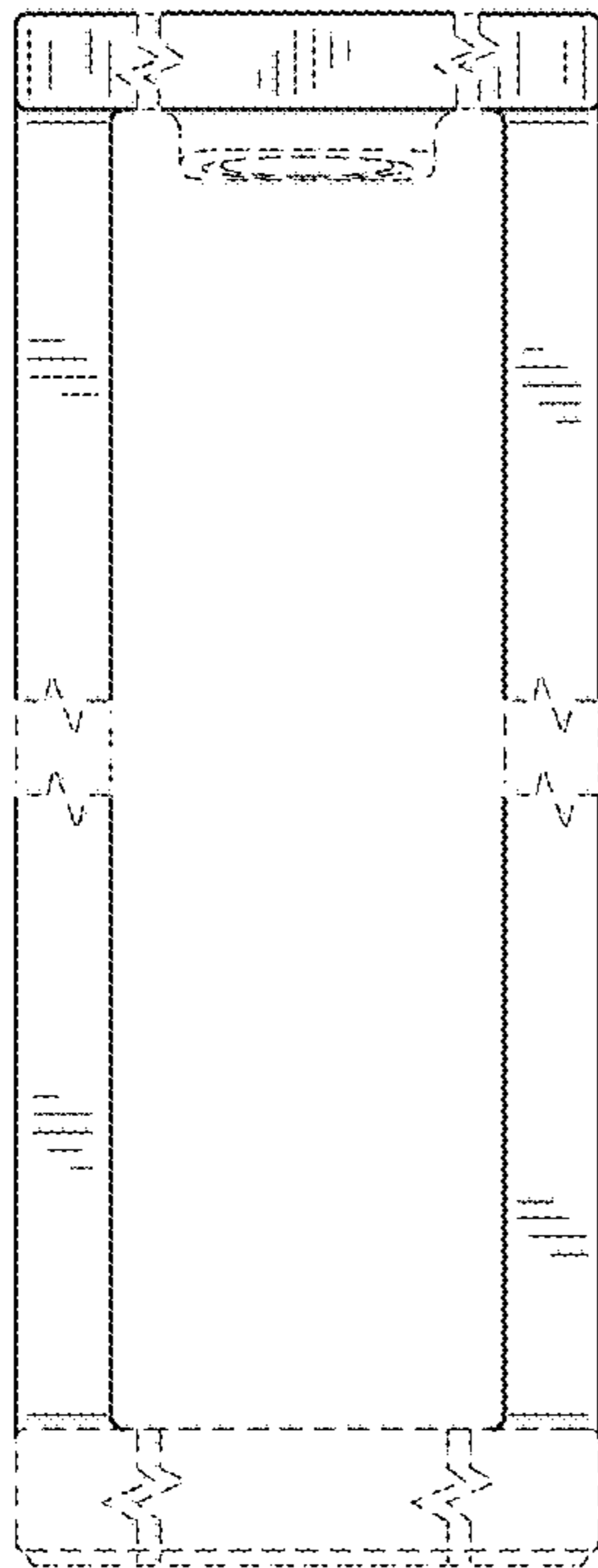


FIG. 2

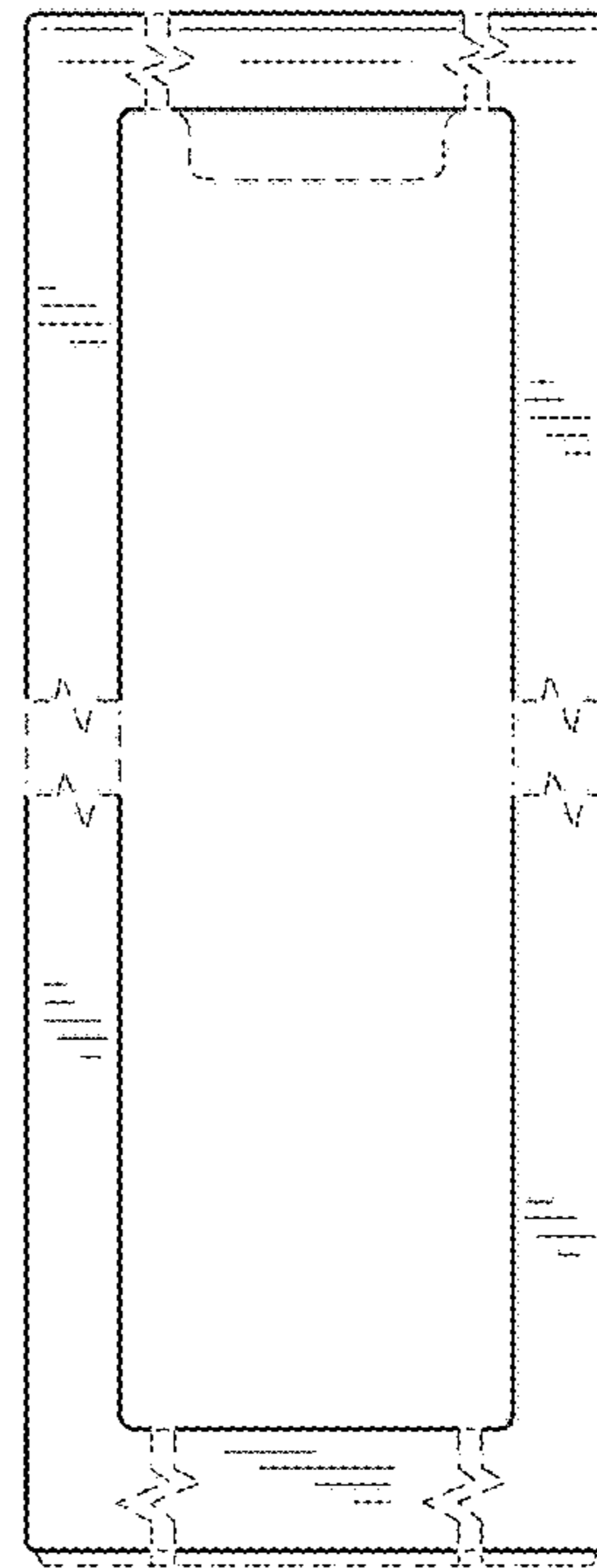


FIG. 3

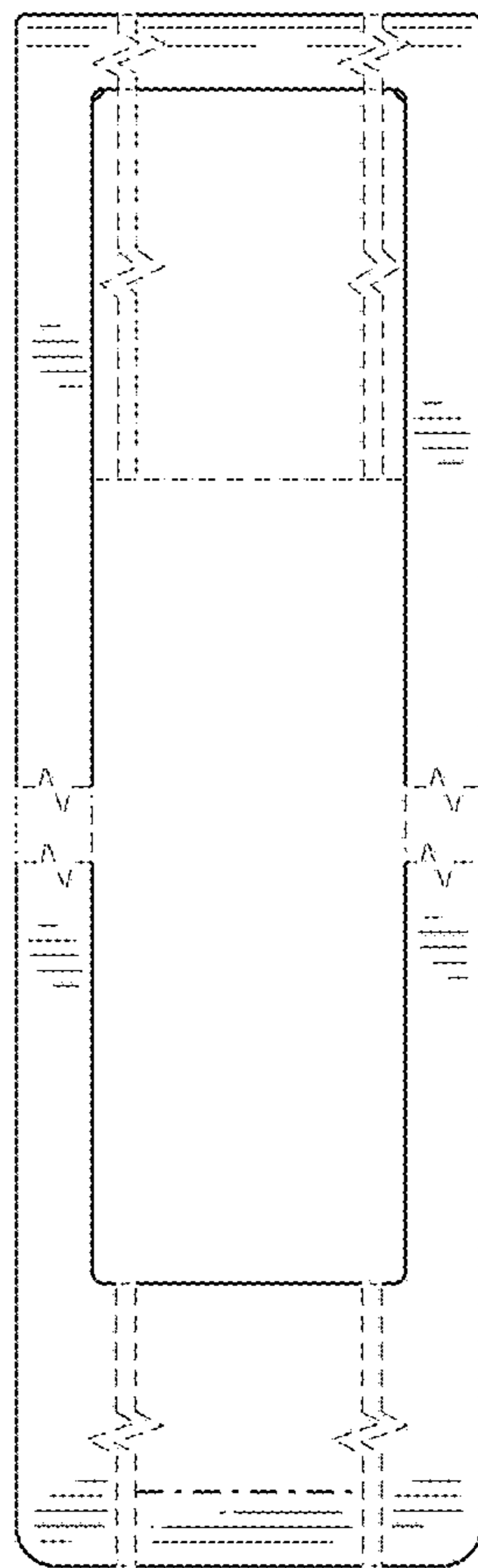


FIG. 4

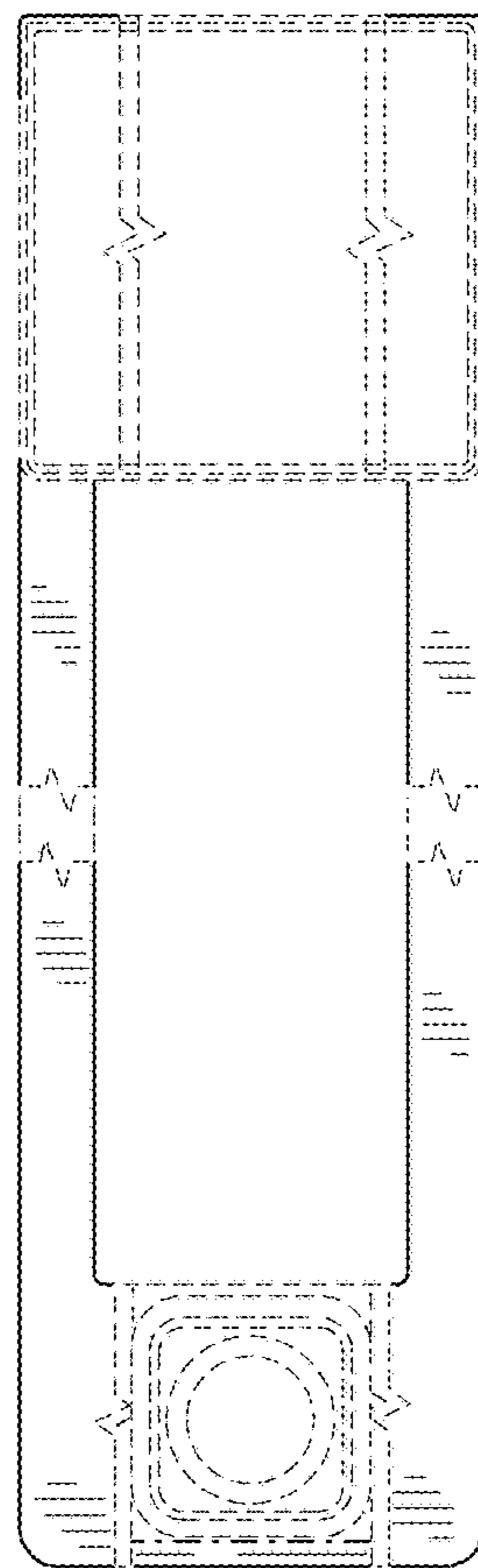


FIG. 5

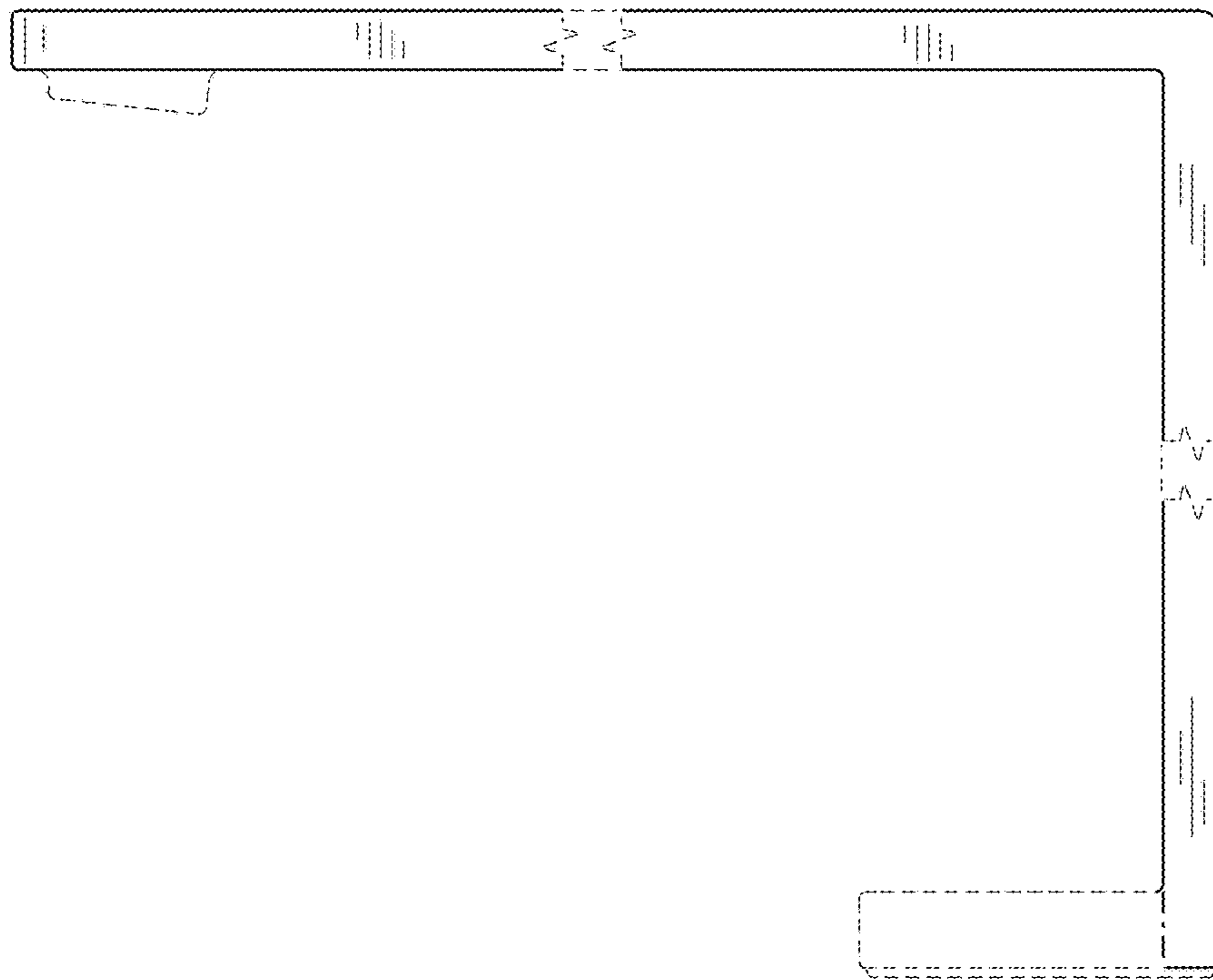


FIG. 6



FIG. 7