



US00D855779S

(12) **United States Design Patent** (10) **Patent No.:** **US D855,779 S**
McKeone (45) **Date of Patent:** **** Aug. 6, 2019**

(54) **FAUCET**

(56) **References Cited**

(71) Applicant: **Kohler Co.**, Kohler, WI (US)

U.S. PATENT DOCUMENTS

(72) Inventor: **William C. McKeone**, Sheboygan, WI (US)

3,726,318 A	4/1973	Hyde
D294,631 S	3/1988	Bourbon
D304,225 S	10/1989	Lathrop
D516,185 S	2/2006	Hanna
D665,881 S	8/2012	Flowers
D705,639 S	5/2014	Kaishian
D737,941 S	9/2015	Eads
D759,212 S	6/2016	Eads
D810,243 S	2/2018	Schoenherr

(73) Assignee: **KOHLER CO.**, Kohler, WI (US)

(**) Term: **15 Years**

Primary Examiner — Robert A Delehanty

(21) Appl. No.: **29/684,440**

(74) *Attorney, Agent, or Firm* — Foley & Lardner LLP

(22) Filed: **Mar. 21, 2019**

(57) **CLAIM**

I claim the ornamental design for a faucet, as shown and described.

Related U.S. Application Data

DESCRIPTION

(62) Division of application No. 29/630,498, filed on Dec. 21, 2017.

(51) **LOC (12) Cl.** **23-01**

(52) **U.S. Cl.**
USPC **D23/255**

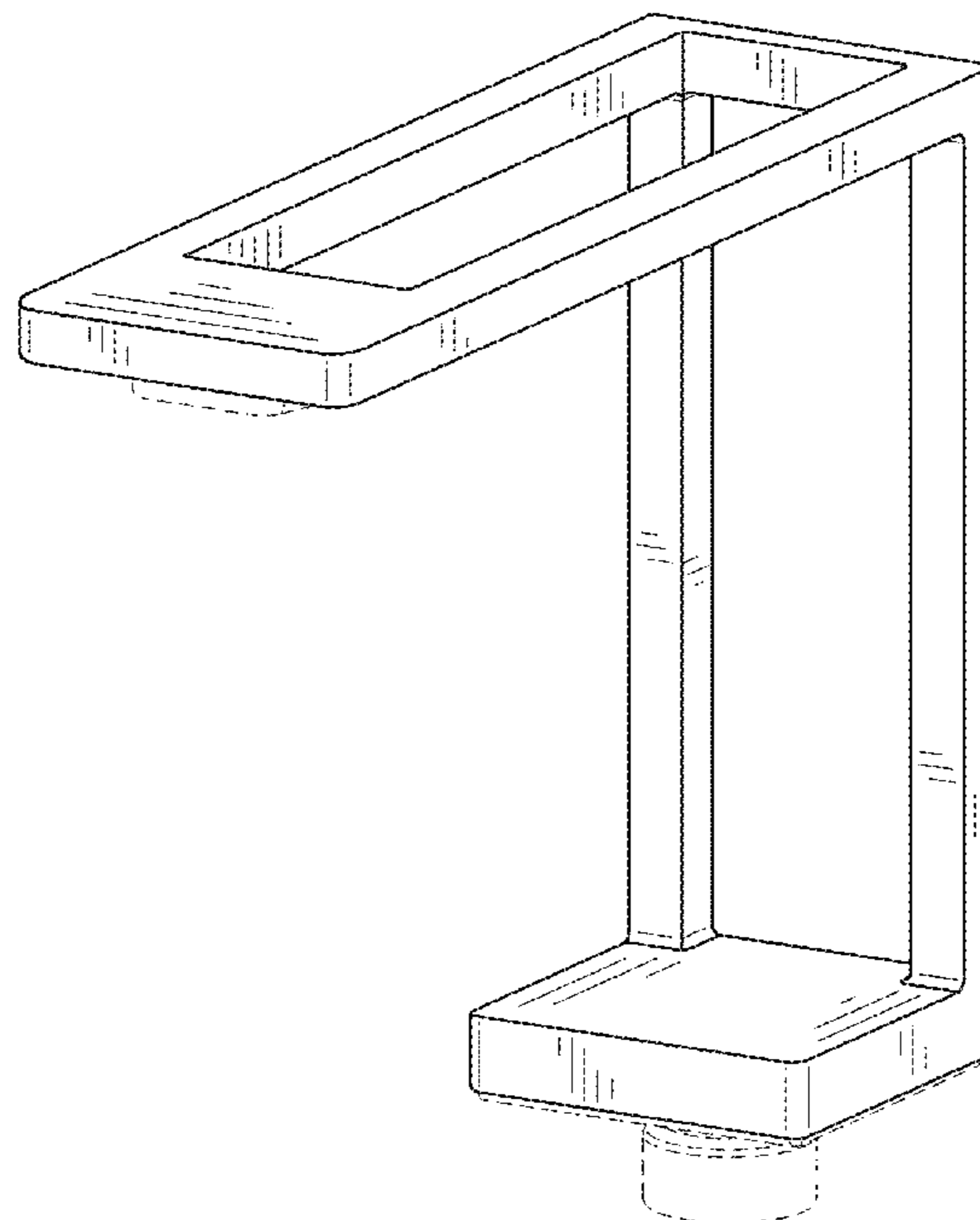
(58) **Field of Classification Search**
USPC D23/238–243, 249–250, 252, 254–255,
D23/257, 213, 223, 226, 229; D8/300,
D8/307–308

CPC ... Y10T 137/9464; E03C 1/04; E03C 1/0401;
E03C 1/0402; E03C 1/0404; E03C
1/0405; E03C 1/0412; E03C 1/0413;
E03C 1/0409; E03C 1/042

See application file for complete search history.

FIG. 1 is a perspective view of the claimed design;
FIG. 2 is a front view of the claimed design;
FIG. 3 is a rear view of the claimed design;
FIG. 4 is a top view of the claimed design;
FIG. 5 is a bottom view of the claimed design;
FIG. 6 is a side view of the claimed design; and,
FIG. 7 is another side view of the claimed design.
The ornamental design that is claimed is shown in the drawings as solid lines and surfaces having surface shading. The broken lines in the drawings are for illustrative purposes only and form no part of the claimed design. For example, broken lines formed by equal length dashes show unclaimed portions of the design.

1 Claim, 5 Drawing Sheets



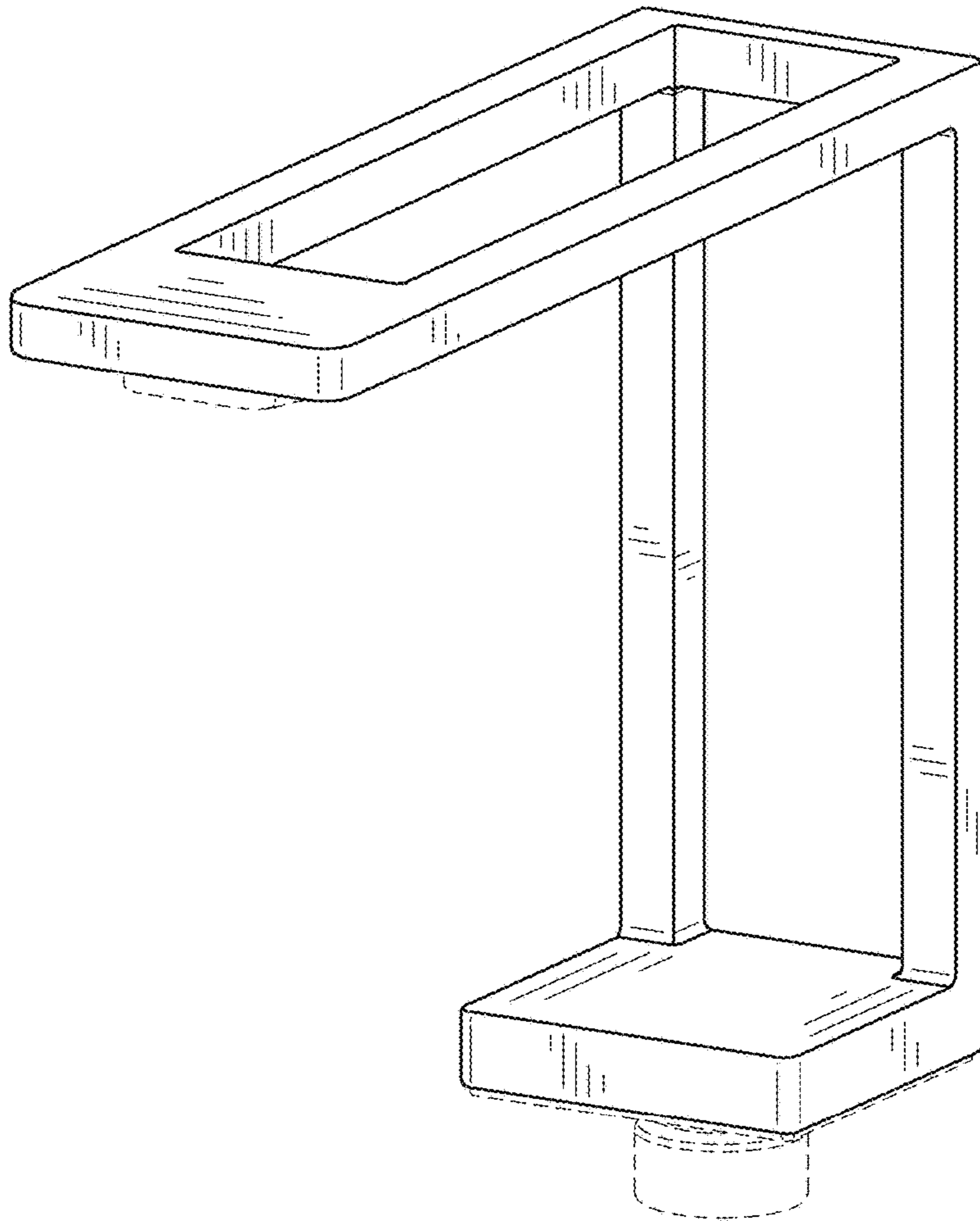


FIG. 1

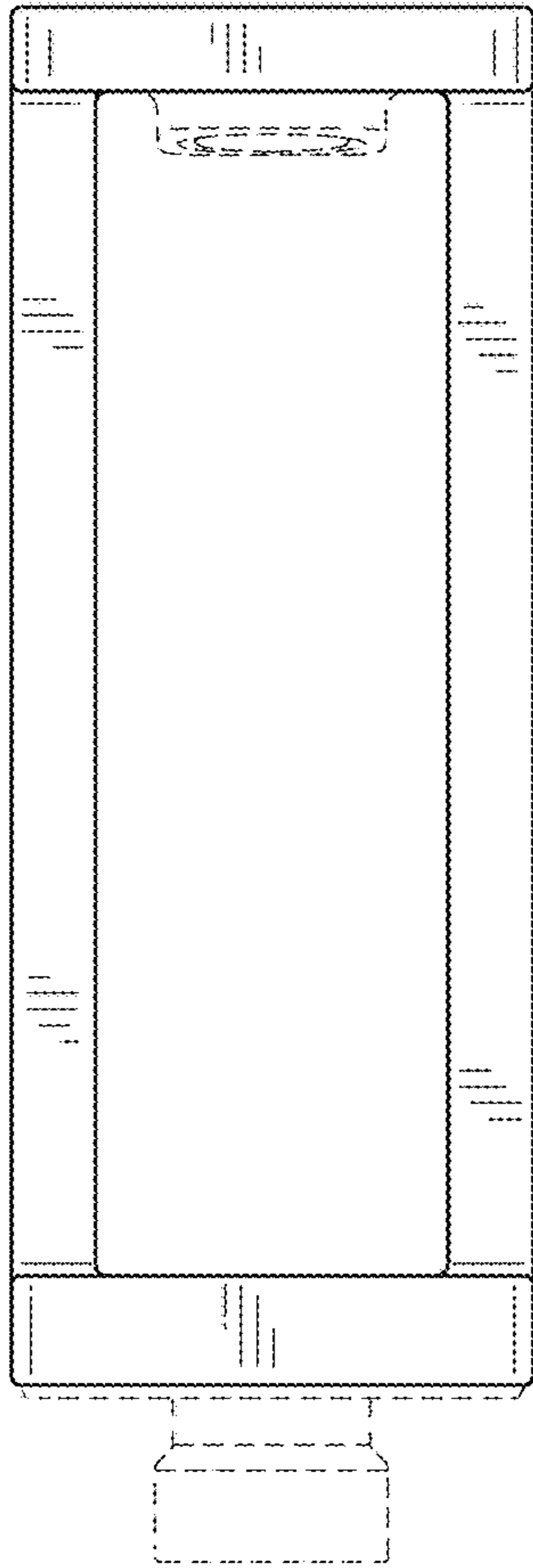


FIG. 2

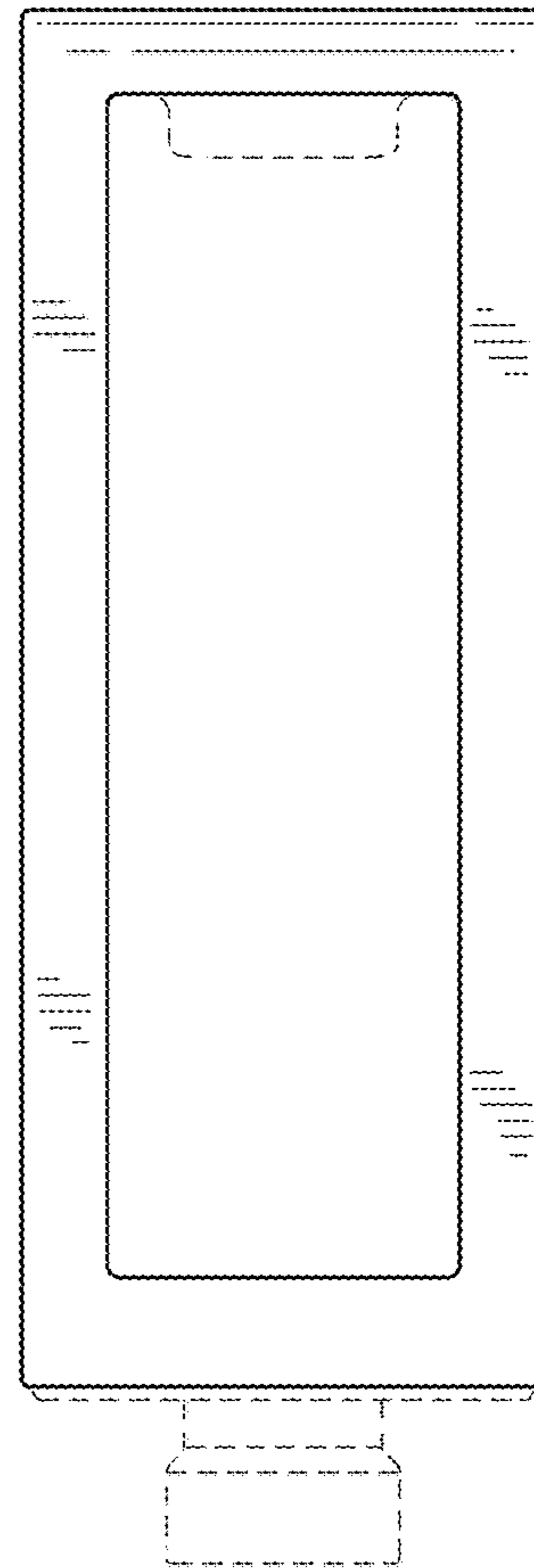


FIG. 3

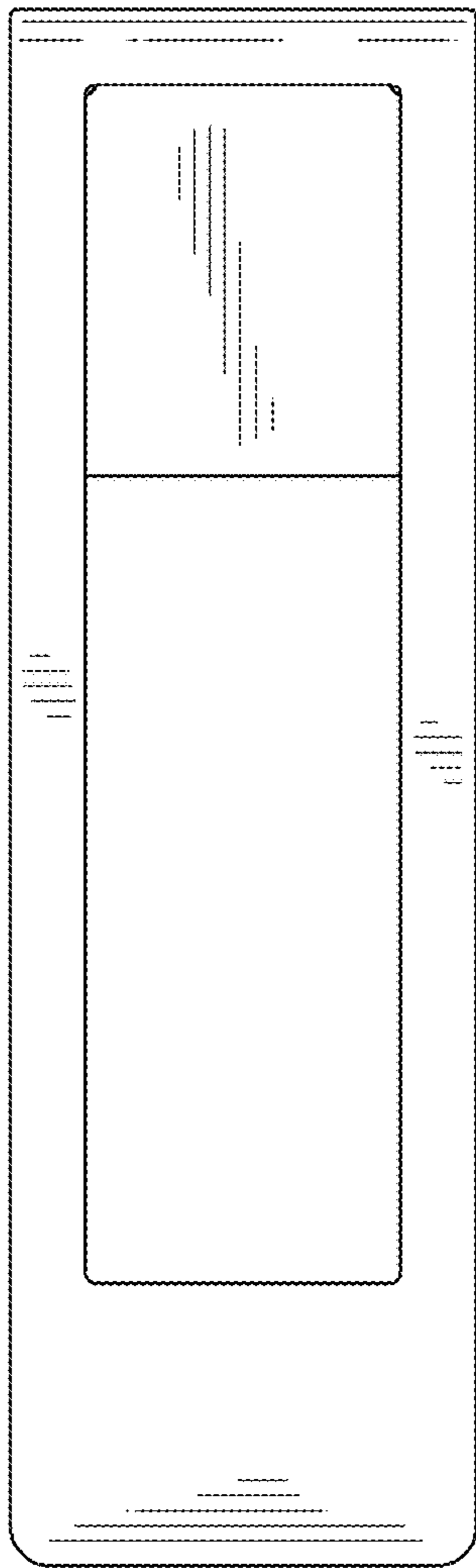


FIG. 4

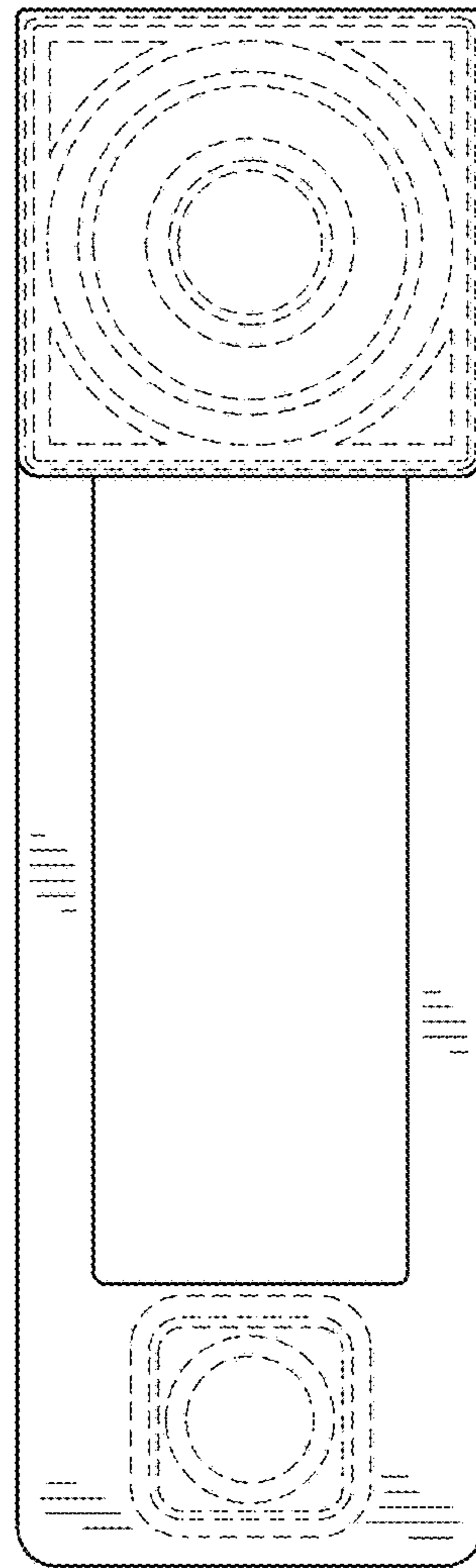


FIG. 5

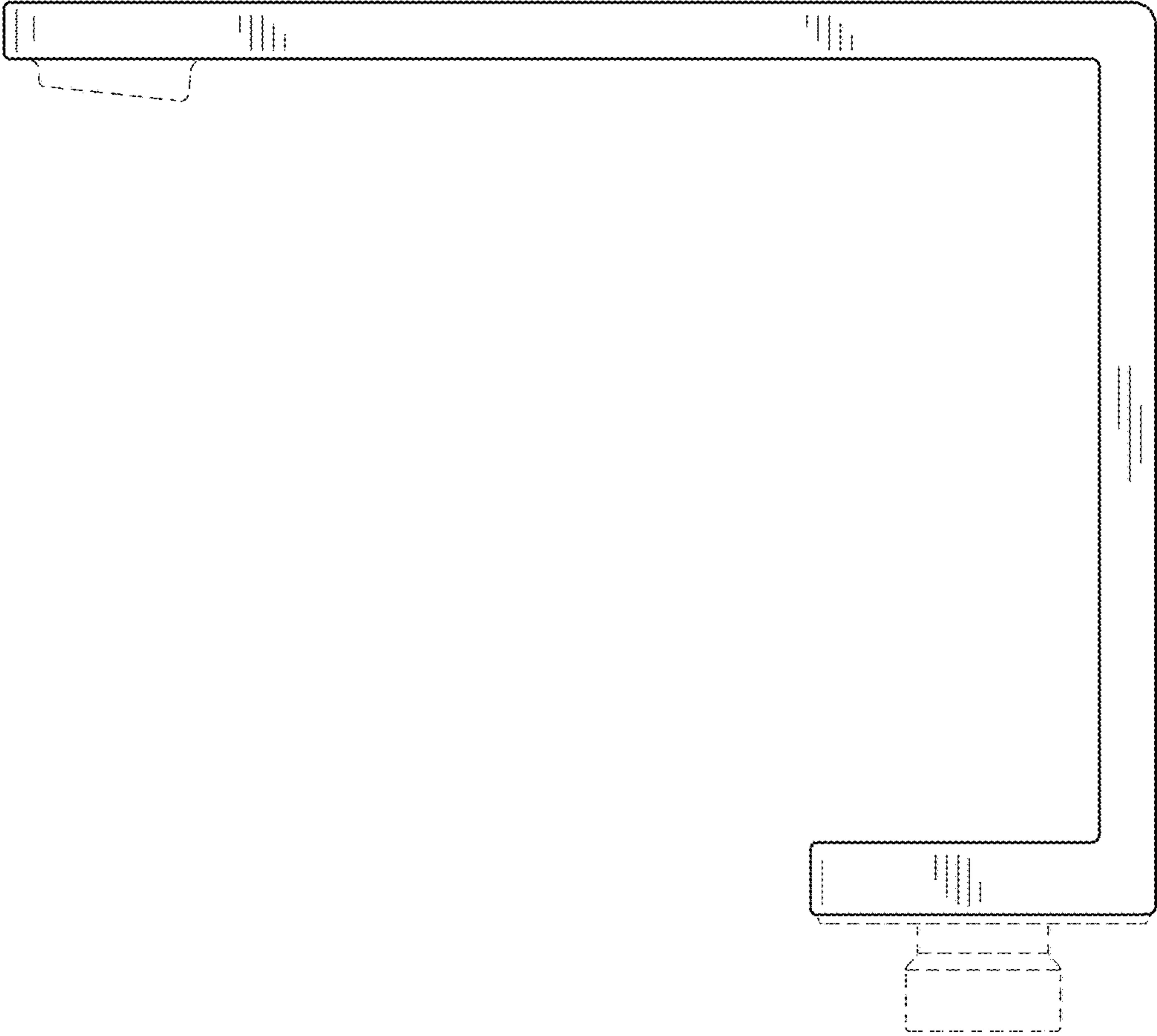


FIG. 6

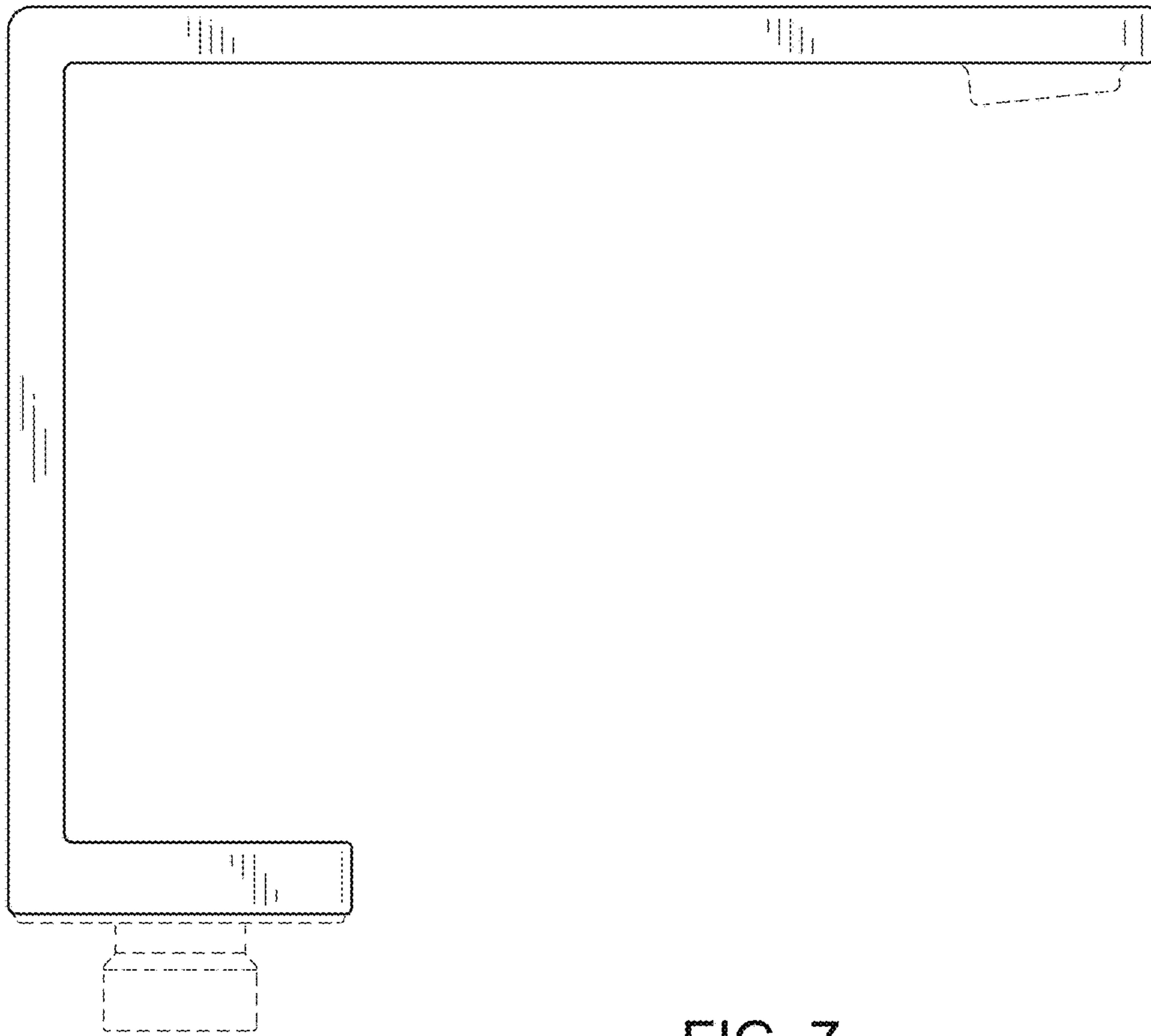


FIG. 7