



US00D855778S

(12) **United States Design Patent** (10) **Patent No.:** **US D855,778 S**
Seum et al. (45) **Date of Patent:** **** Aug. 6, 2019**

(54) **FAUCET**
(71) Applicant: **GROHE AG**, Hemer (DE)
(72) Inventors: **Michael Seum**, Dusseldorf (DE);
Martino Passalacqua, Dusseldorf (DE)
(73) Assignee: **Grohe AG**, Hemer (DE)
(**) Term: **15 Years**

(21) Appl. No.: **29/632,501**
(22) Filed: **Jan. 8, 2018**

(30) **Foreign Application Priority Data**
Jun. 7, 2017 (EM) 004035905-0002

(51) **LOC (12) Cl.** **23-01**
(52) **U.S. Cl.**
USPC **D23/255**
(58) **Field of Classification Search**
USPC D23/238-243, 249, 255, 257
CPC E03C 1/057; E03C 1/055
See application file for complete search history.

(56) **References Cited**
U.S. PATENT DOCUMENTS
D541,907 S * 5/2007 Qing D23/238
D550,812 S * 9/2007 Haug D23/238

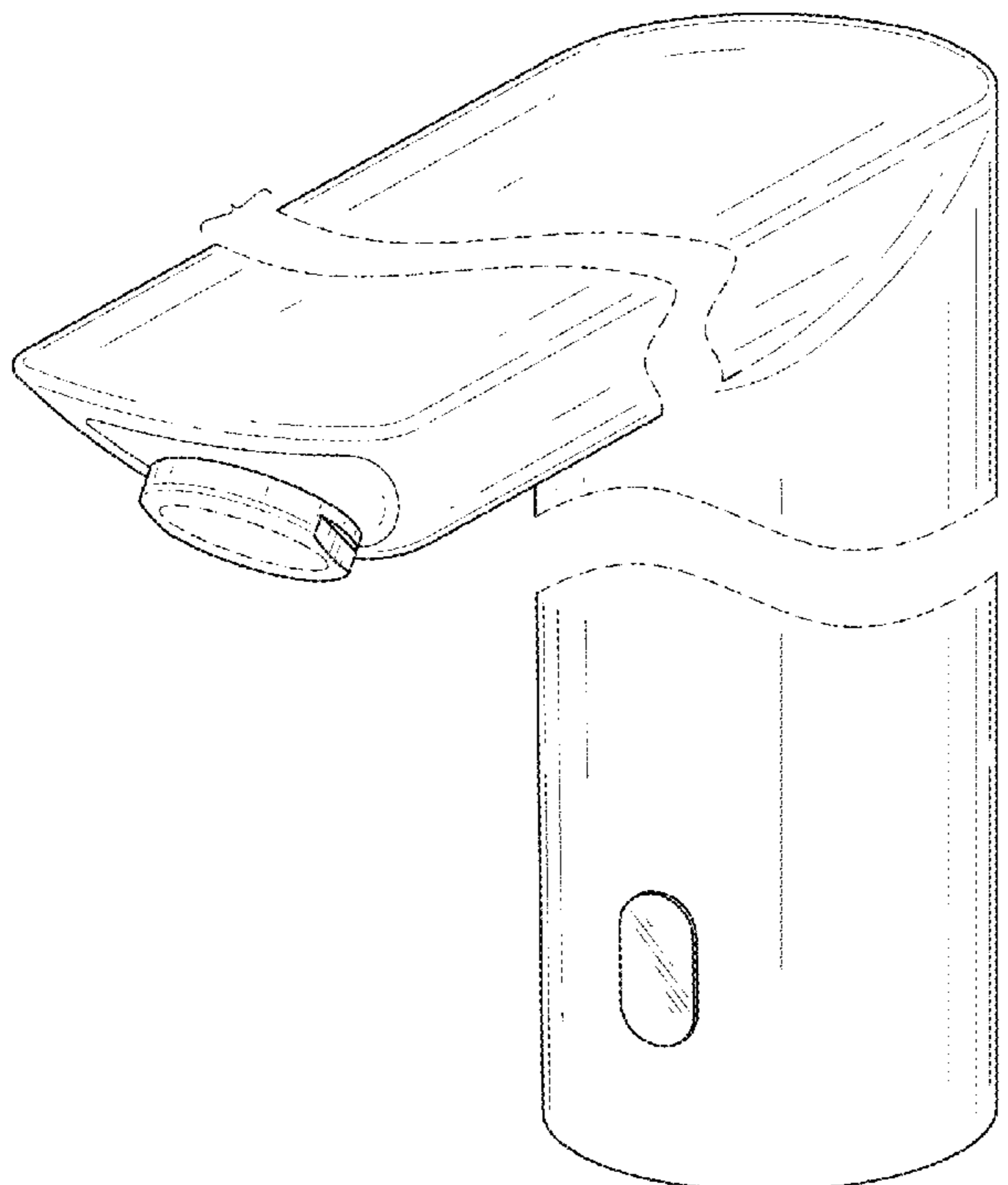
D635,651 S * 4/2011 Schoenherr D23/255
D637,271 S * 5/2011 Lin D23/238
D638,102 S * 5/2011 Obara D23/238
D639,910 S * 6/2011 Schoenherr D23/238
D667,533 S * 9/2012 Lammel D23/238
8,878,383 B2 * 11/2014 Kuroishi E03C 1/055
290/43
10,214,885 B2 * 2/2019 Mielke E03C 1/055
* cited by examiner

Primary Examiner — Robert A Delehanty
(74) *Attorney, Agent, or Firm* — Muncy, Geissler, Olds & Lowe, P.C.

(57) **CLAIM**
The ornamental design for a faucet, as shown and described.

DESCRIPTION
FIG. 1 is a front perspective view of a faucet according to the present invention.
FIG. 2 is a front view of the faucet of FIG. 1.
FIG. 3 is a rear view of the faucet of FIG. 1.
FIG. 4 is a left side view of the faucet of FIG. 1.
FIG. 5 is a right side view of the faucet of FIG. 1.
FIG. 6 is a top view of the faucet of FIG. 1; and,
FIG. 7 is a bottom view of the faucet of FIG. 1.
The dashed lines illustrate environment that does not form a part of the present invention, and no claim is made to the material illustrated with dashed lines.

1 Claim, 7 Drawing Sheets



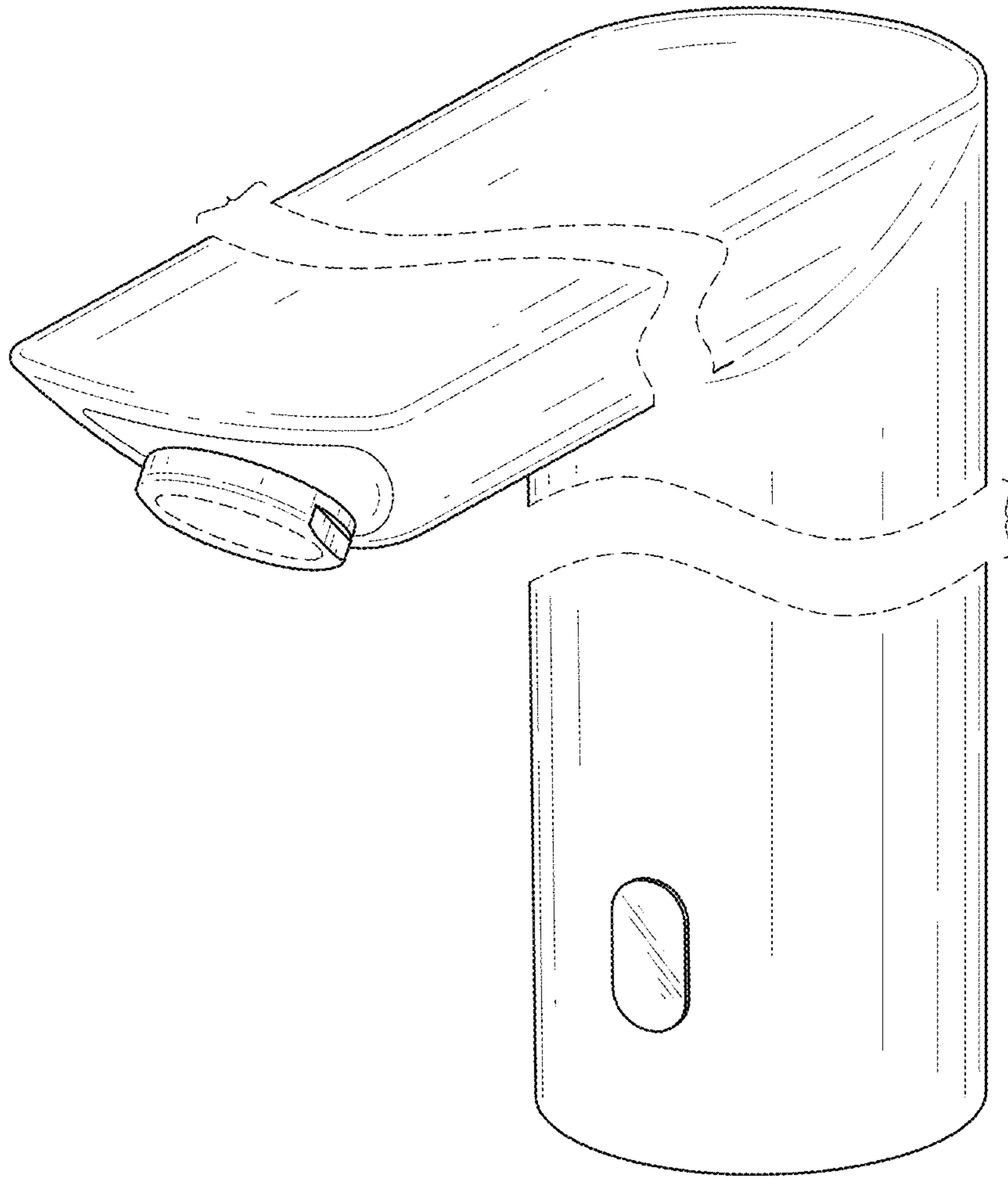


FIG.1

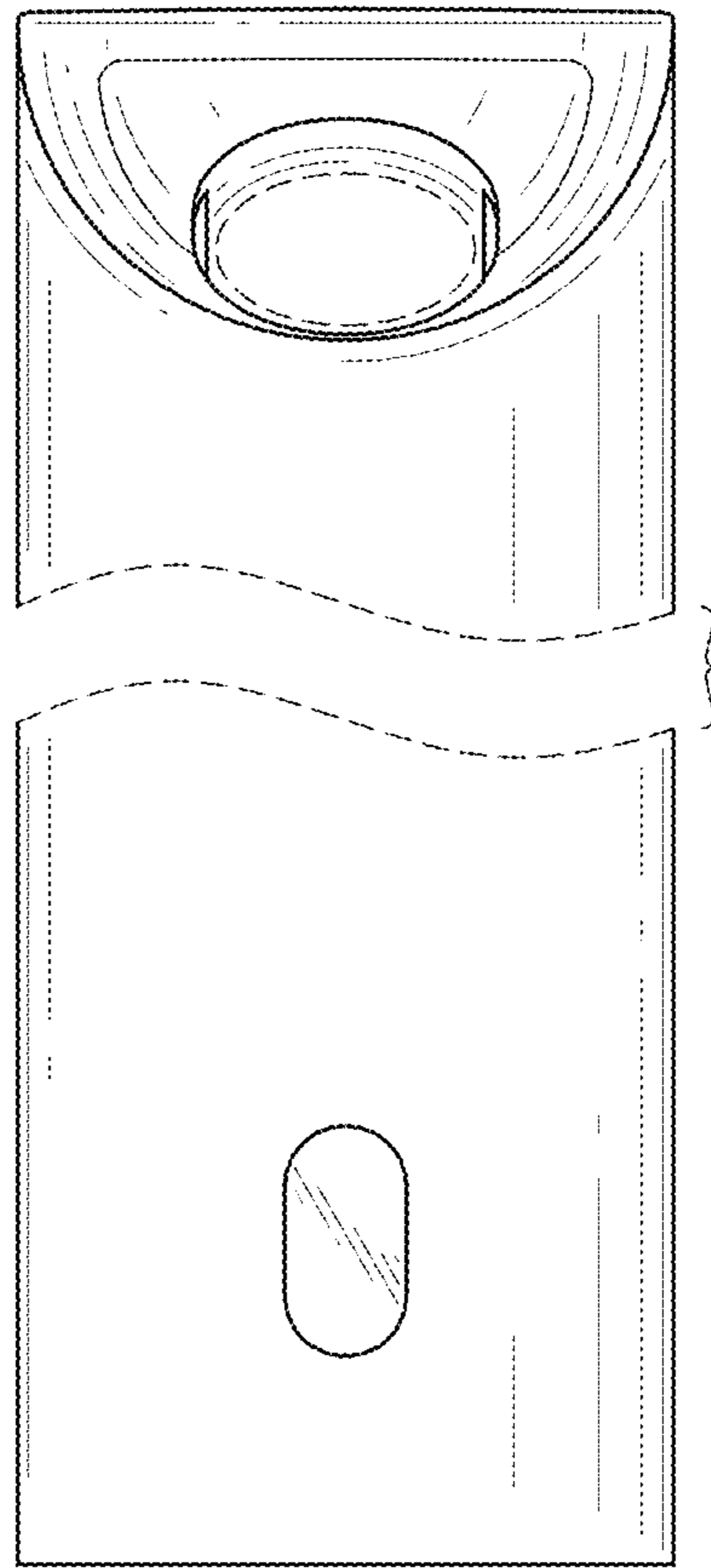


FIG.2

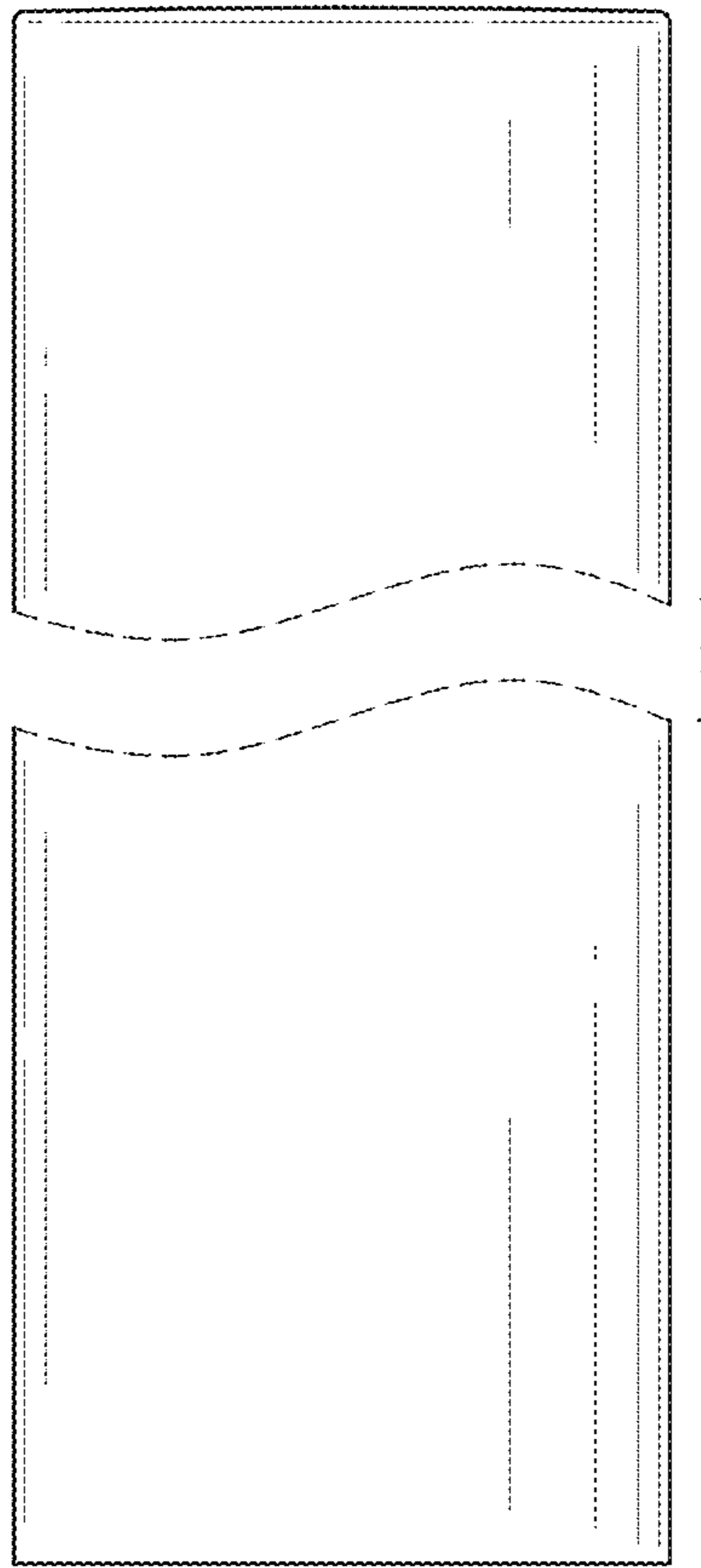


FIG.3

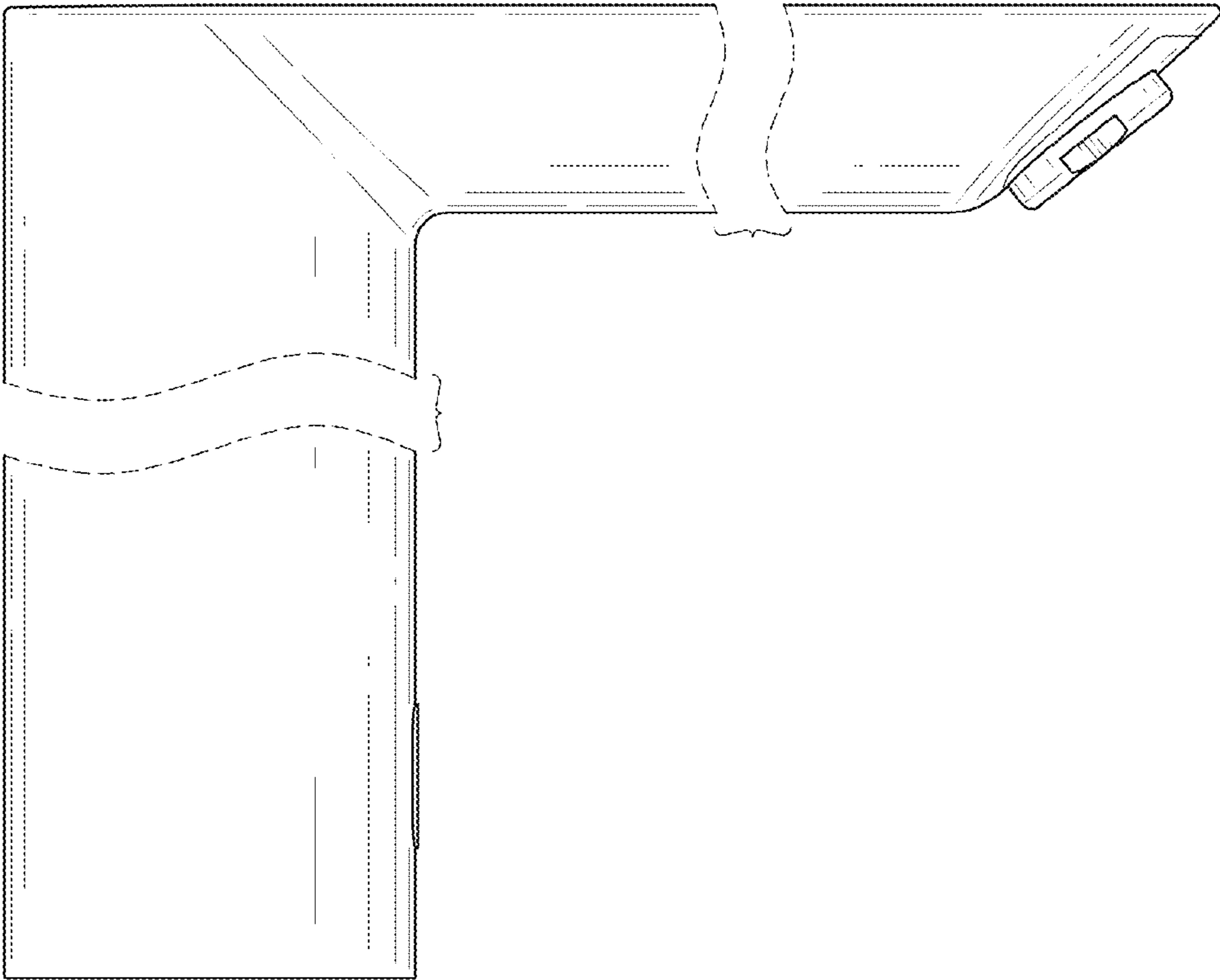


FIG.4

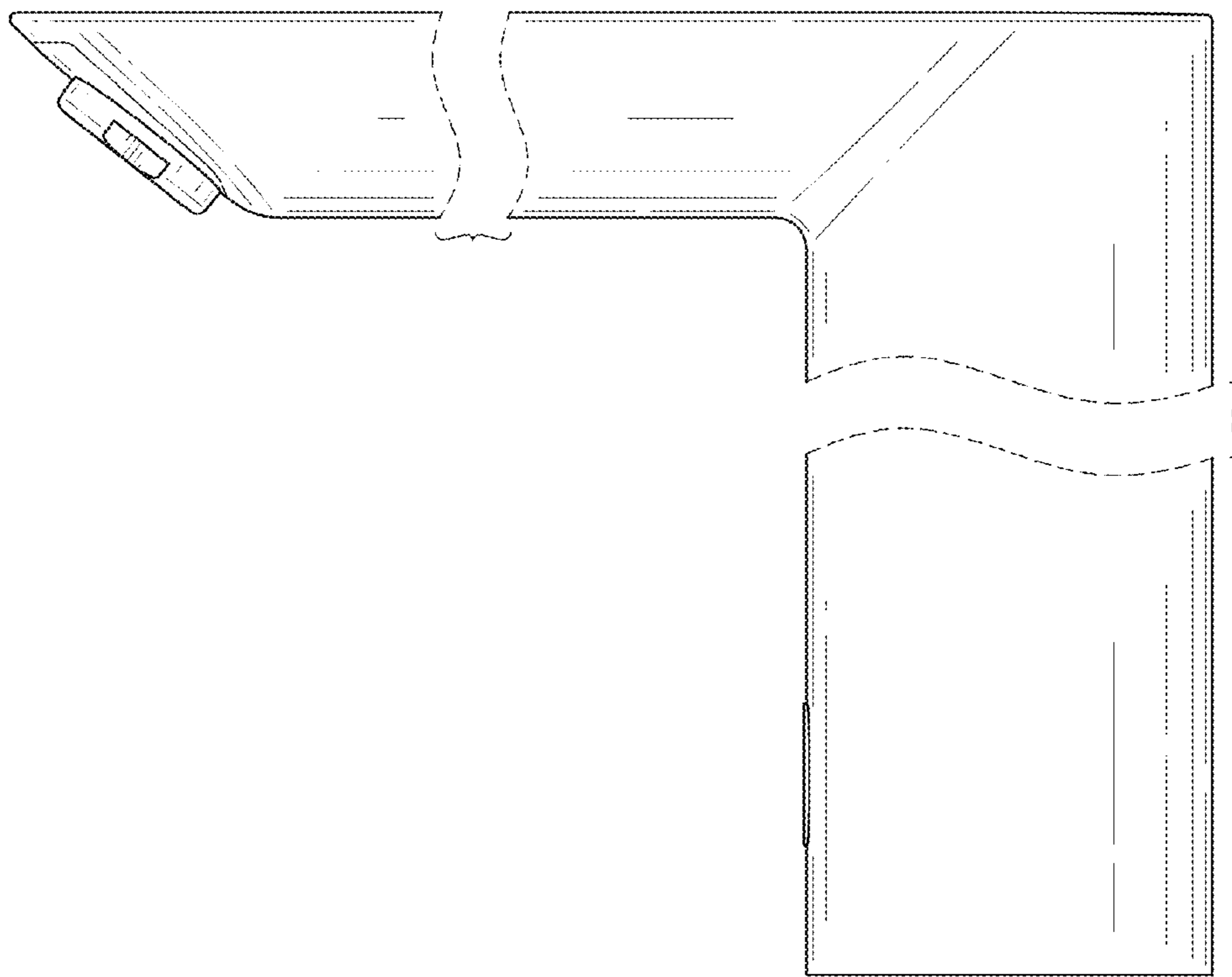


FIG. 5

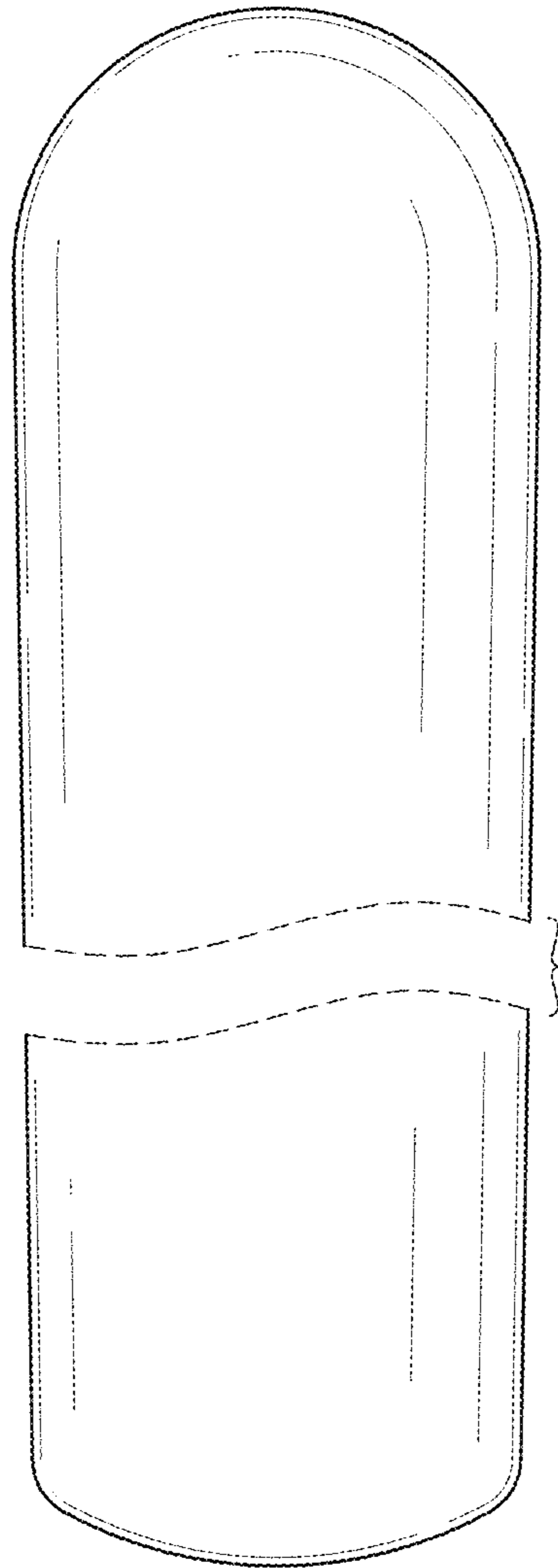


FIG.6

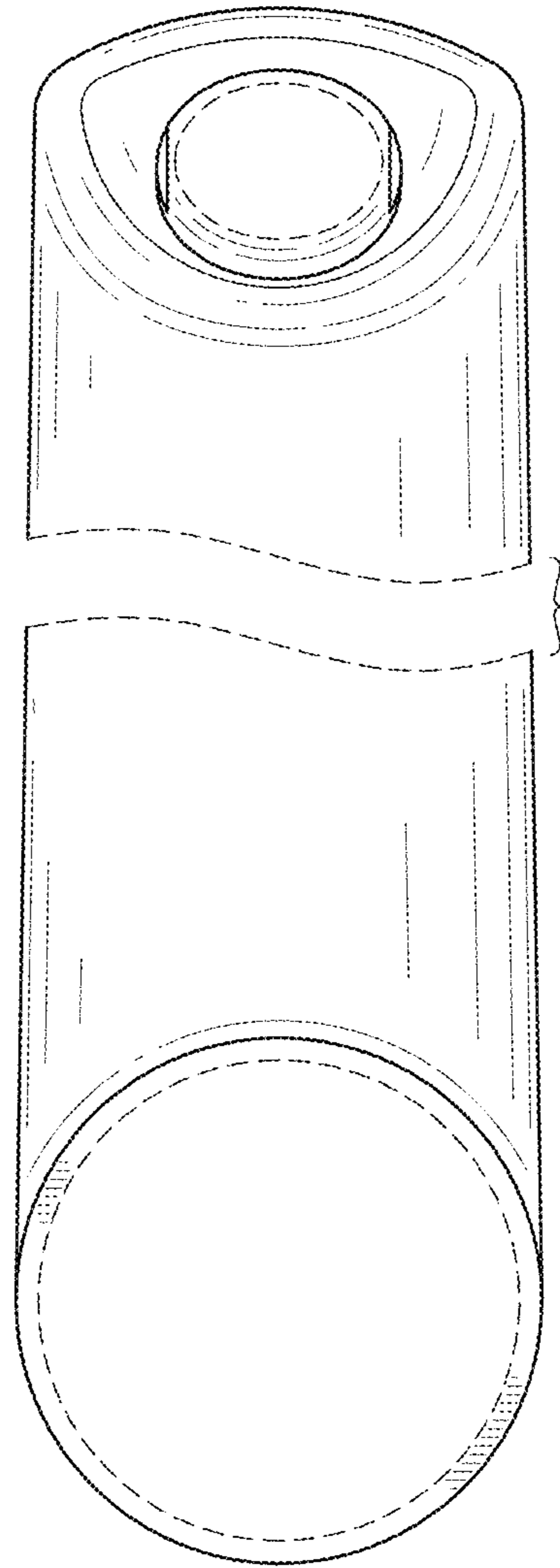


FIG.7