



US00D855777S

(12) **United States Design Patent**
Seum et al.

(10) **Patent No.:** **US D855,777 S**

(45) **Date of Patent:** **** Aug. 6, 2019**

(54) **FAUCET**

(71) Applicant: **GROHE AG**, Hemer (DE)

(72) Inventors: **Michael Seum**, Dusseldorf (DE);
Martino Passalacqua, Dusseldorf (DE)

(73) Assignee: **Grohe AG**, Hemer (DE)

(**) Term: **15 Years**

(21) Appl. No.: **29/632,497**

(22) Filed: **Jan. 8, 2018**

(30) **Foreign Application Priority Data**

Jun. 7, 2017 (EM) 004035905-0001

(51) **LOC (12) Cl.** **23-01**

(52) **U.S. Cl.**

USPC **D23/255**

(58) **Field of Classification Search**

USPC D23/238-243, 249, 255, 257

CPC E03C 1/057; E03C 1/055

See application file for complete search history.

(56) **References Cited**

U.S. PATENT DOCUMENTS

D541,907 S * 5/2007 Qing D23/238
D550,812 S * 9/2007 Haug D23/238

D635,651 S * 4/2011 Schoenherr D23/255
D637,271 S * 5/2011 Lin D23/238
D638,102 S * 5/2011 Obara D23/238
D639,910 S * 6/2011 Schoenherr D23/238
D667,533 S * 9/2012 Lammel D23/238
8,878,383 B2 * 11/2014 Kuroishi E03C 1/055
290/43
10,214,885 B2 * 2/2019 Mielke E03C 1/055

* cited by examiner

Primary Examiner — Robert A Delehanty

(74) *Attorney, Agent, or Firm* — Muncy, Geissler, Olds & Lowe, P.C.

(57) **CLAIM**

The ornamental design for a faucet, as shown and described.

DESCRIPTION

FIG. 1 is a front perspective view of a faucet according to the present invention.

FIG. 2 is a front view of the faucet of FIG. 1.

FIG. 3 is a rear view of the faucet of FIG. 1.

FIG. 4 is a left side view of the faucet of FIG. 1.

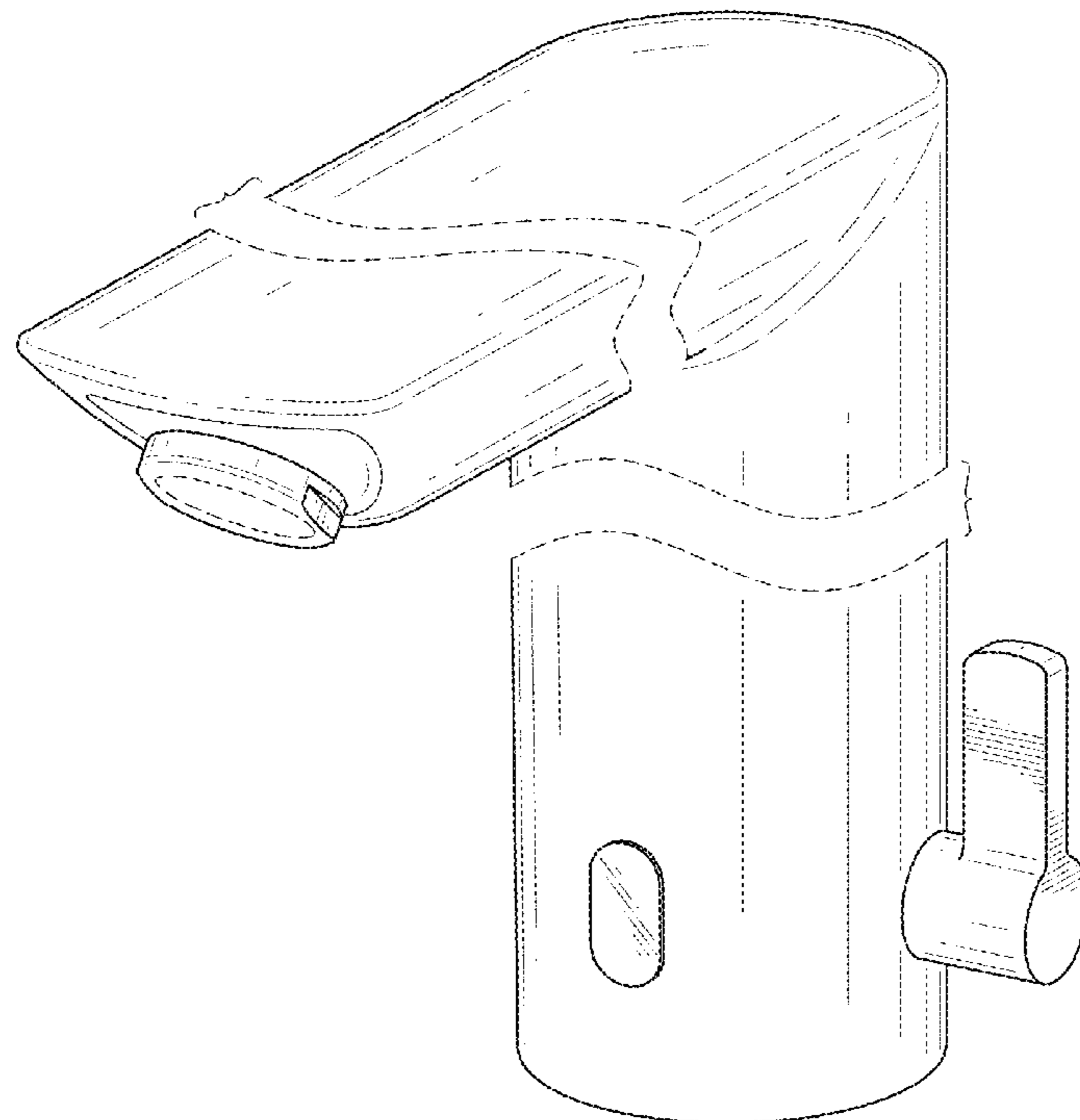
FIG. 5 is a right side view of the faucet of FIG. 1.

FIG. 6 is a top view of the faucet of FIG. 1; and,

FIG. 7 is a bottom view of the faucet of FIG. 1.

The dashed lines illustrate environment that does not form a part of the present invention, and no claim is made to the material illustrated with dashed lines.

1 Claim, 7 Drawing Sheets



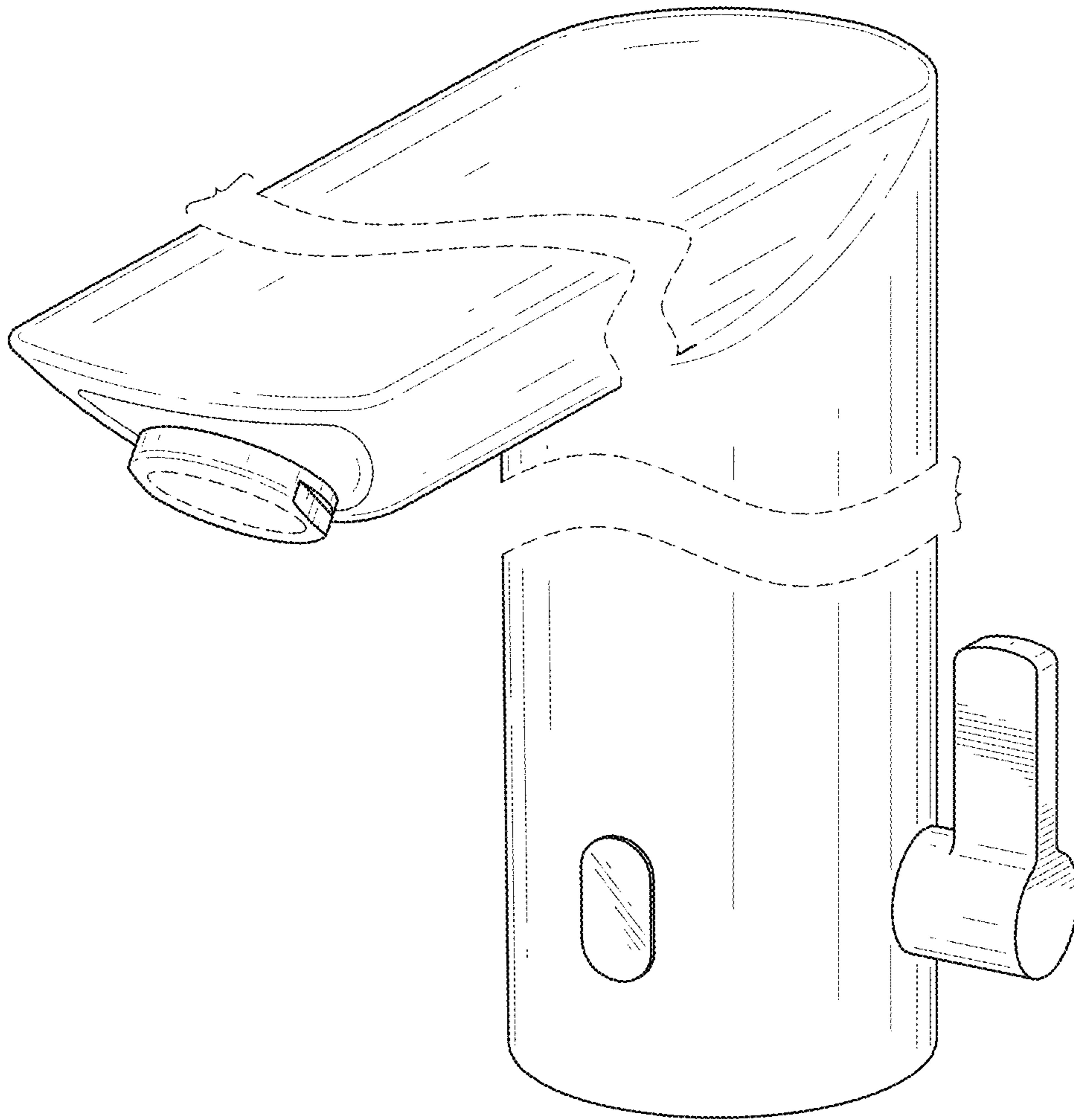


FIG.1

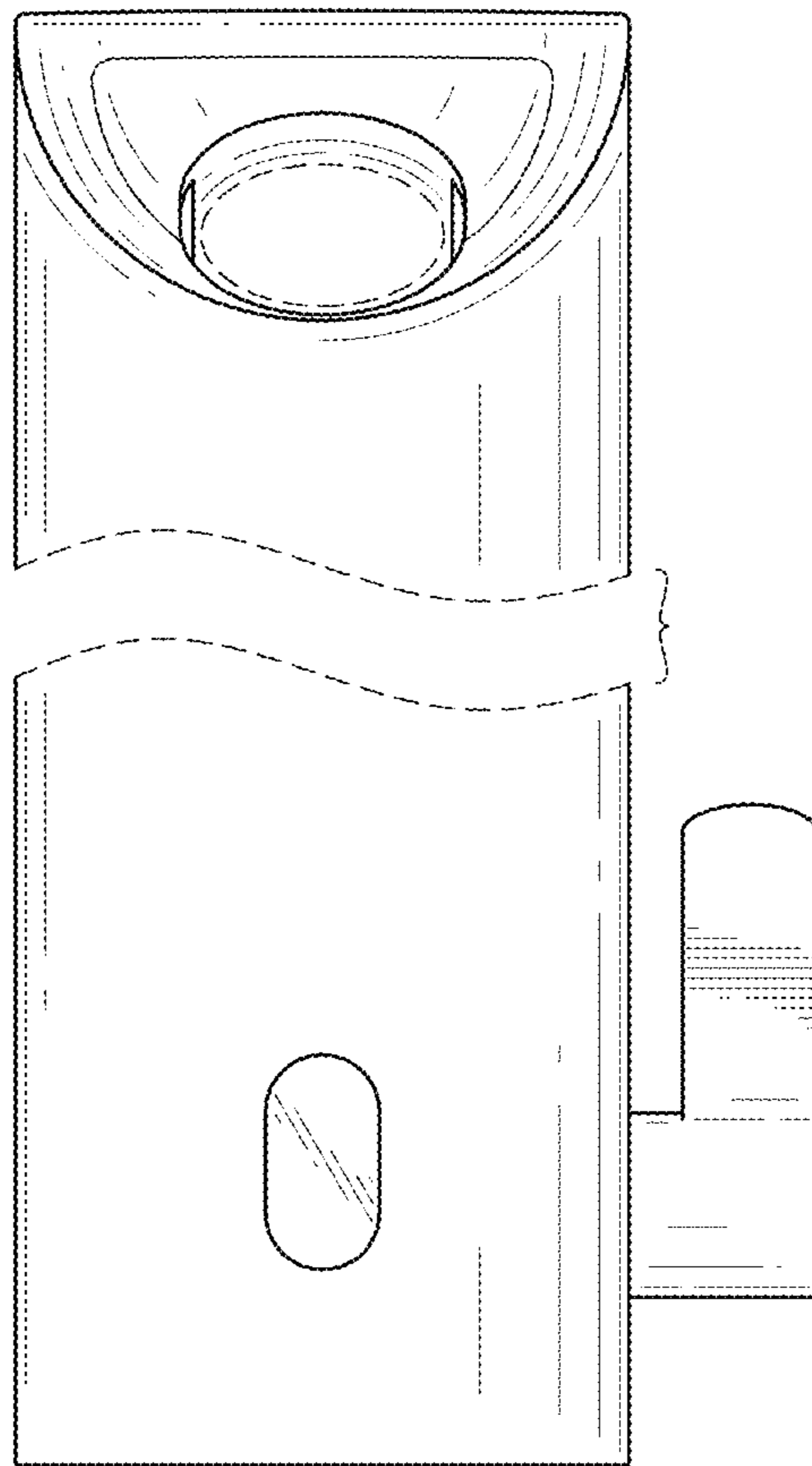


FIG.2

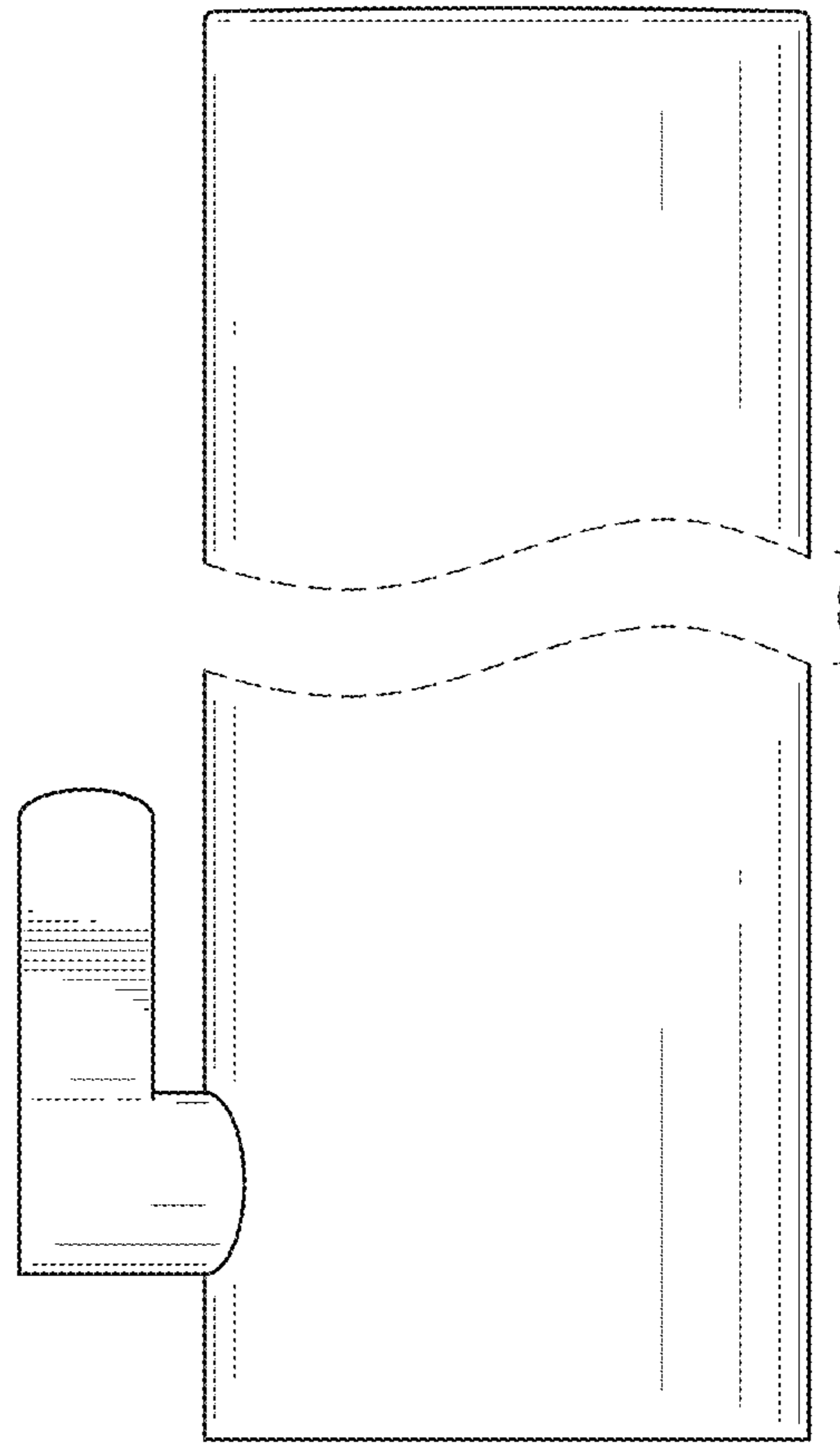


FIG.3

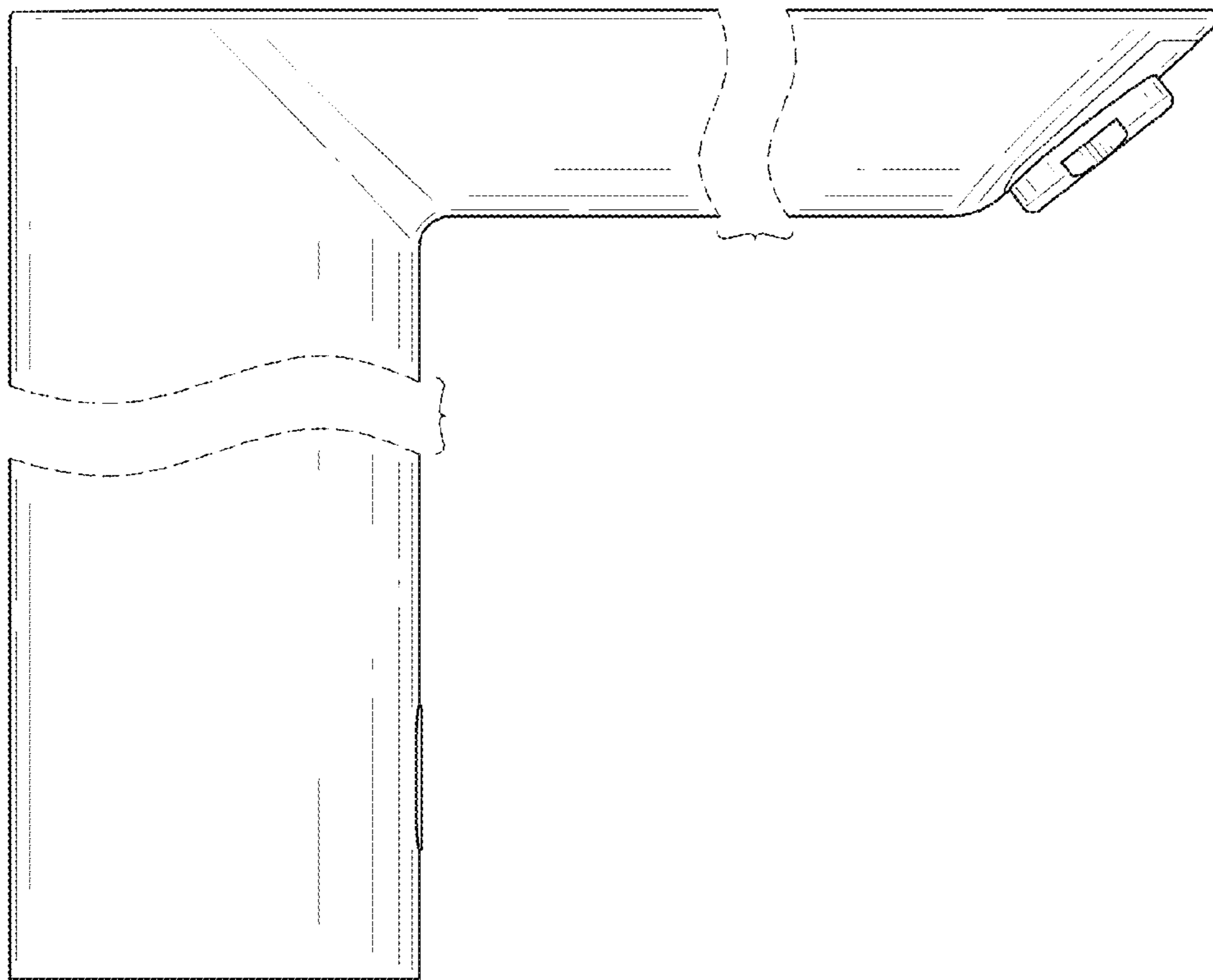


FIG.4

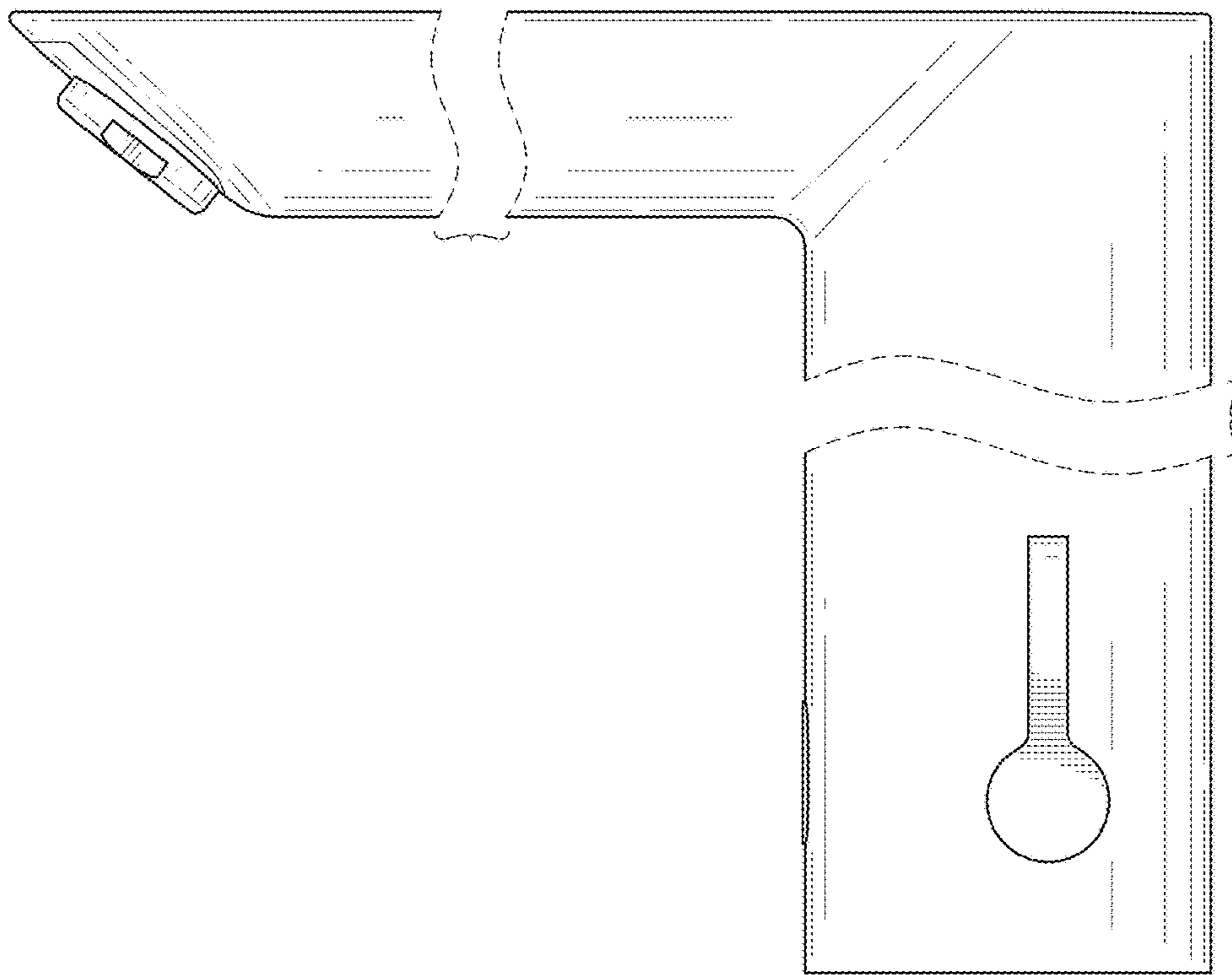


FIG.5

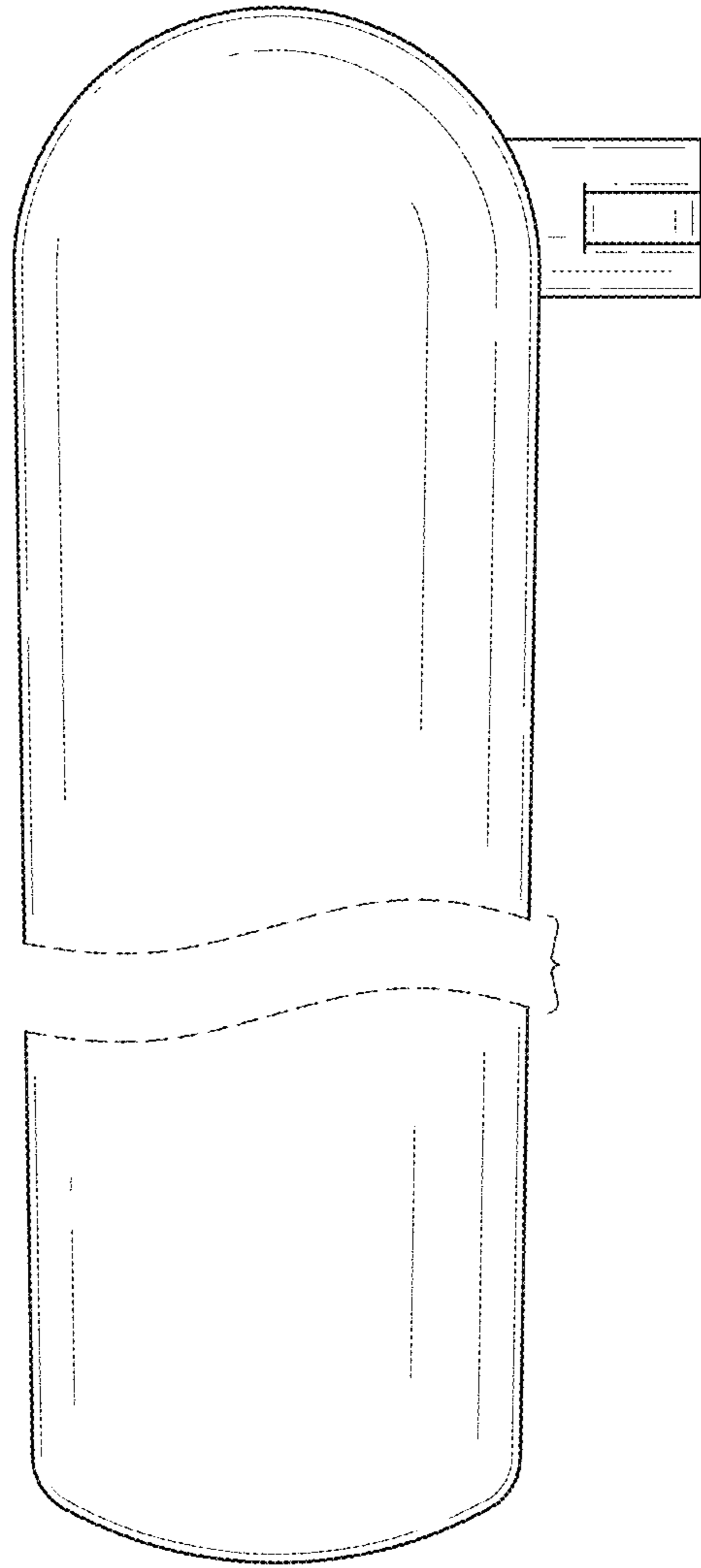


FIG.6

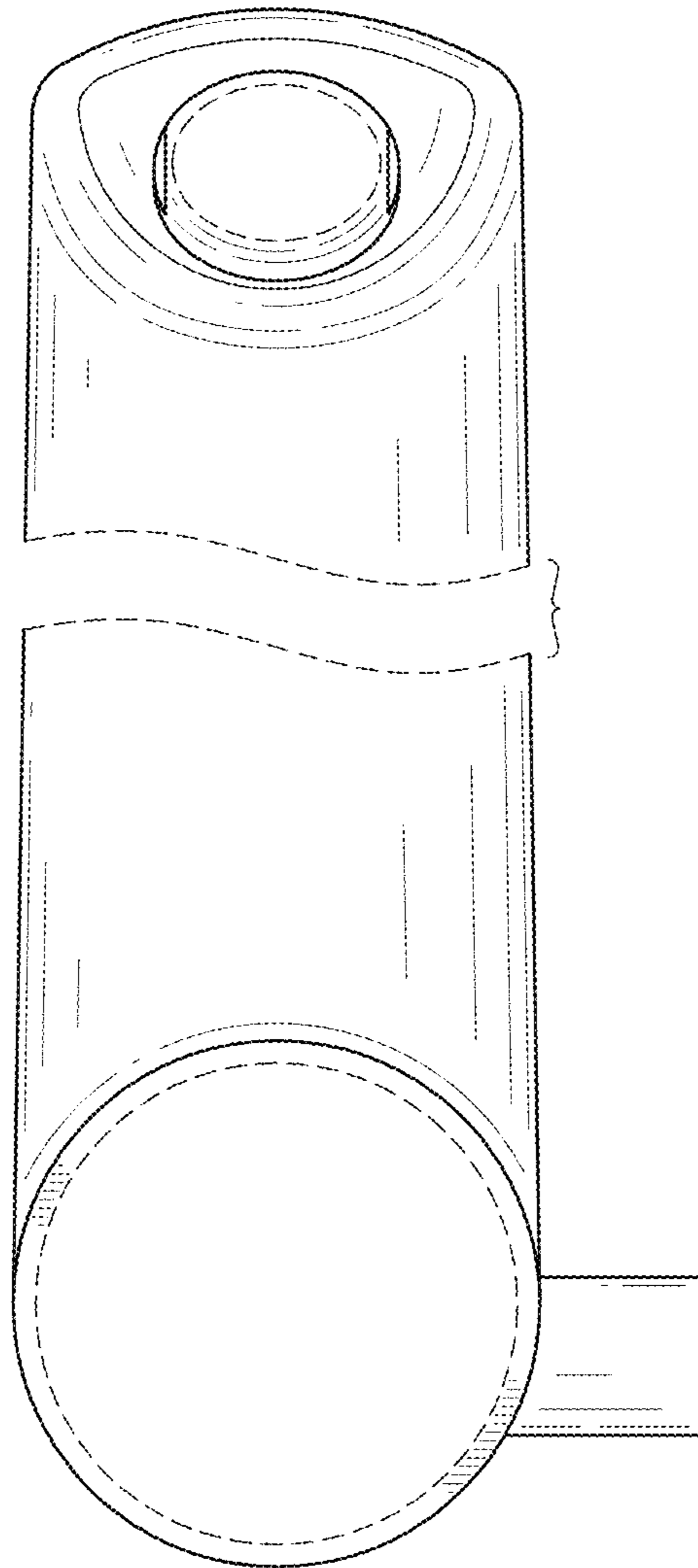


FIG.7